



US00D909610S

(12) **United States Design Patent** (10) **Patent No.:** **US D909,610 S**
Masuda et al. (45) **Date of Patent:** **** Feb. 2, 2021**

(54) **SAMPLE SUPPLY UNIT**
(71) Applicant: **Hitachi High-Tech Corporation,**
Tokyo (JP)
(72) Inventors: **Ai Masuda,** Tokyo (JP); **Akira Kojima,** Tokyo (JP); **Takashi Yamamoto,** Tokyo (JP); **Young Han Yoon,** Tokyo (JP); **Akihiro Yasui,** Tokyo (JP); **Tsukasa Suenari,** Tokyo (JP)

D631,976 S * 2/2011 Oonuma D24/216
D637,730 S * 5/2011 Oonuma D24/216
D658,776 S * 5/2012 Oonuma D24/216
D681,228 S * 4/2013 Oonuma D24/216
D685,493 S * 7/2013 Sato D24/216
D692,157 S * 10/2013 Matoba D24/216
D833,640 S * 11/2018 Kurz-Ottenwaelder D24/231
2007/0110617 A1 * 5/2007 Nagai G01N 35/026
422/65
2008/0190735 A1 * 8/2008 Luoma G01N 35/00732
198/340
2016/0195563 A1 * 7/2016 Oonuma G01N 35/00
422/64

(73) Assignee: **Hitachi High-Tech Corporation,**
Tokyo (JP)

* cited by examiner

(**) Term: **15 Years**

Primary Examiner — Anhdao Doan

(74) *Attorney, Agent, or Firm* — Crowell & Moring LLP

(21) Appl. No.: **29/713,060**

(22) Filed: **Nov. 13, 2019**

(30) **Foreign Application Priority Data**

May 14, 2019 (JP) 2019-010429

(51) **LOC (13) Cl.** **24-01**

(52) **U.S. Cl.**
USPC **D24/232**

(58) **Field of Classification Search**
USPC D24/107, 185, 186, 216–219, 231–234;
D10/81

CPC G01N 2035/00306; G01N 2035/00326;
G01N 2035/00336; G01N 2030/027;
G01N 21/6458; G01N 21/6484; G01N
21/6486; G01N 21/76

See application file for complete search history.

(56) **References Cited**

U.S. PATENT DOCUMENTS

6,521,183 B1 * 2/2003 Burri G01N 35/026
422/65
D474,416 S * 5/2003 Oonuma D10/81

(57) **CLAIM**

The ornamental design for a sample supply unit, as shown and described.

DESCRIPTION

FIG. 1 is a front, top and right side perspective view of a sample supply unit according to the design;

FIG. 2 is a front view thereof;

FIG. 3 is a right side view thereof;

FIG. 4 is a left side view thereof;

FIG. 5 is a top plan view thereof;

FIG. 6 is a bottom plan view thereof;

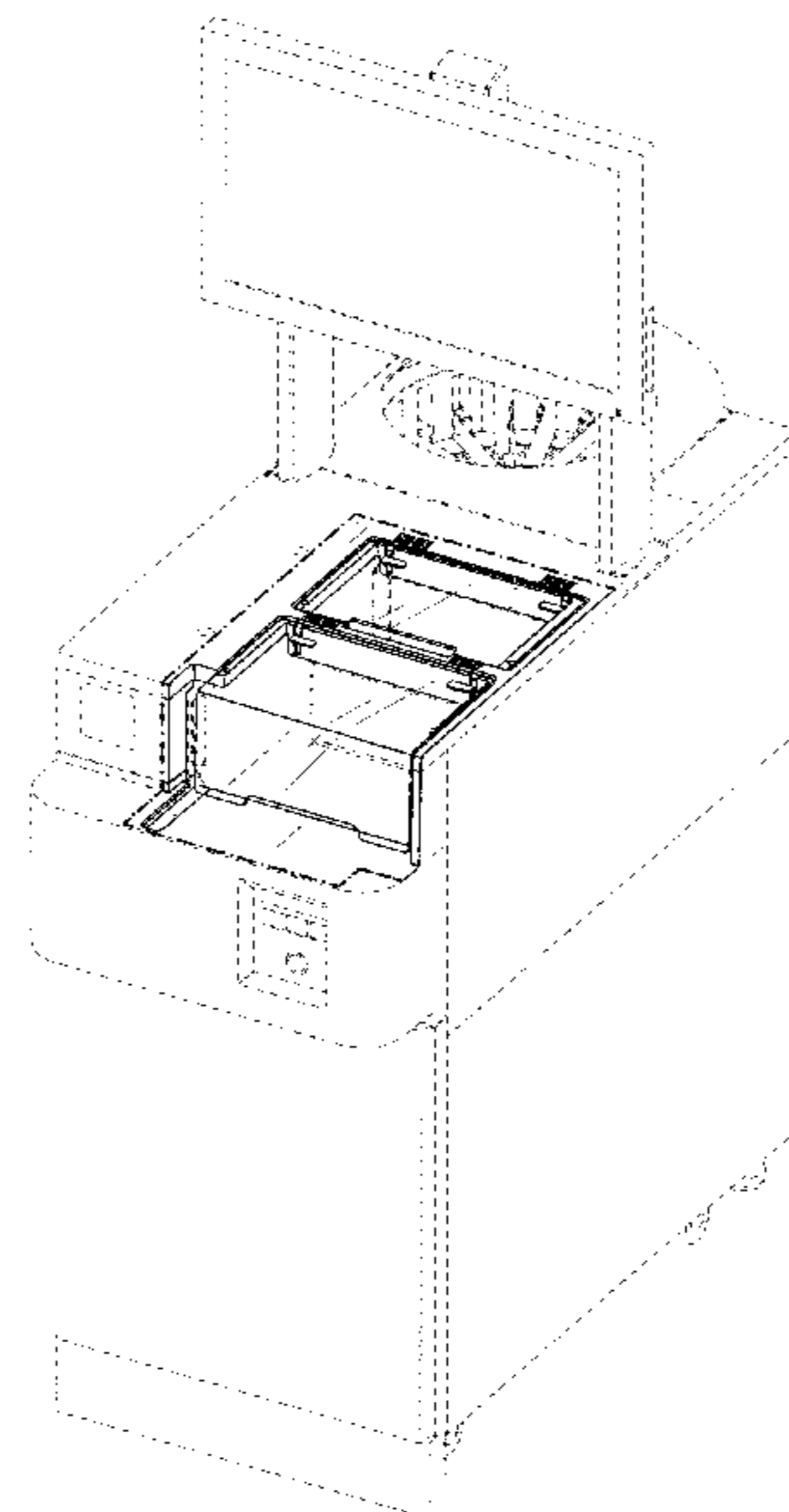
FIG. 7 is a rear view thereof;

FIG. 8 is an enlarged cross-sectional view taken along line 8-8 of FIG. 2; and,

FIG. 9 is a front, top and right side perspective view thereof shown in an opened position.

The dashed broken lines show portions of the sample supply unit that form no part of the claimed design. The dot-dash broken lines represent the bounds of the claim. None of the broken lines form part of the claimed design.

1 Claim, 8 Drawing Sheets



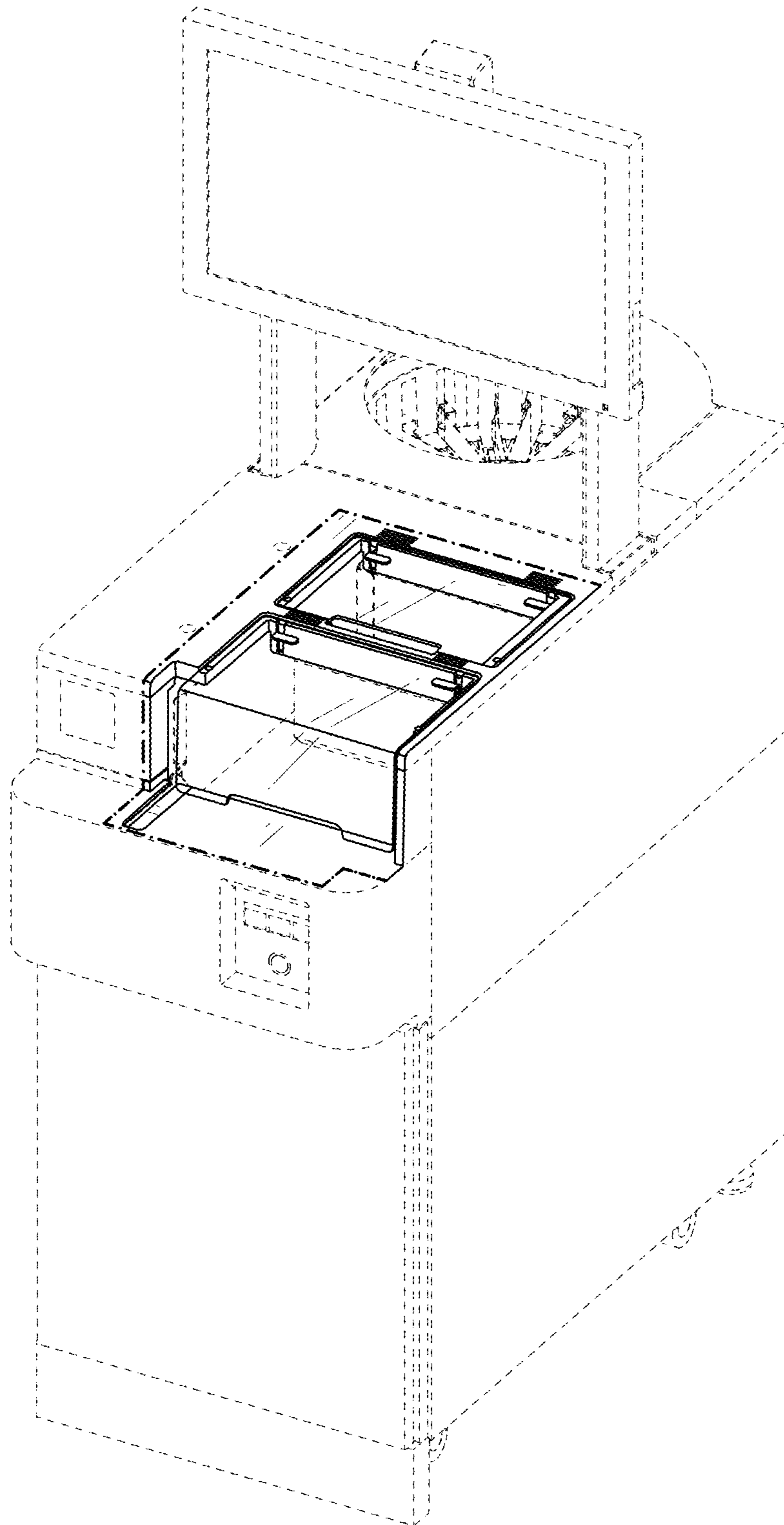


FIG. 1

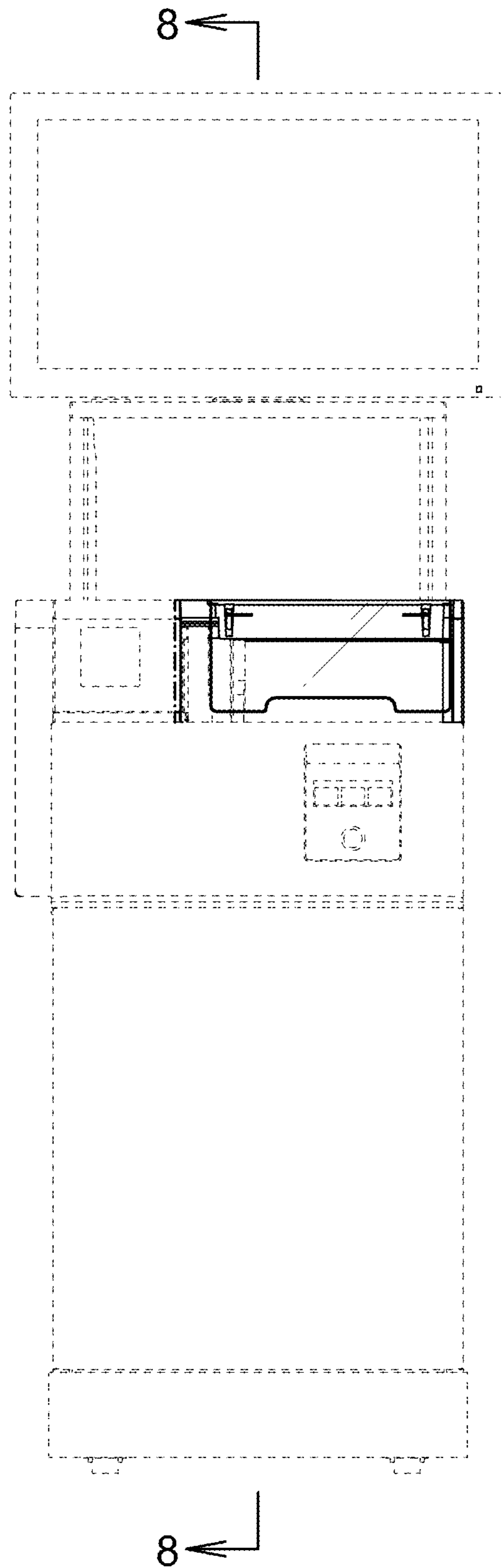


FIG. 2

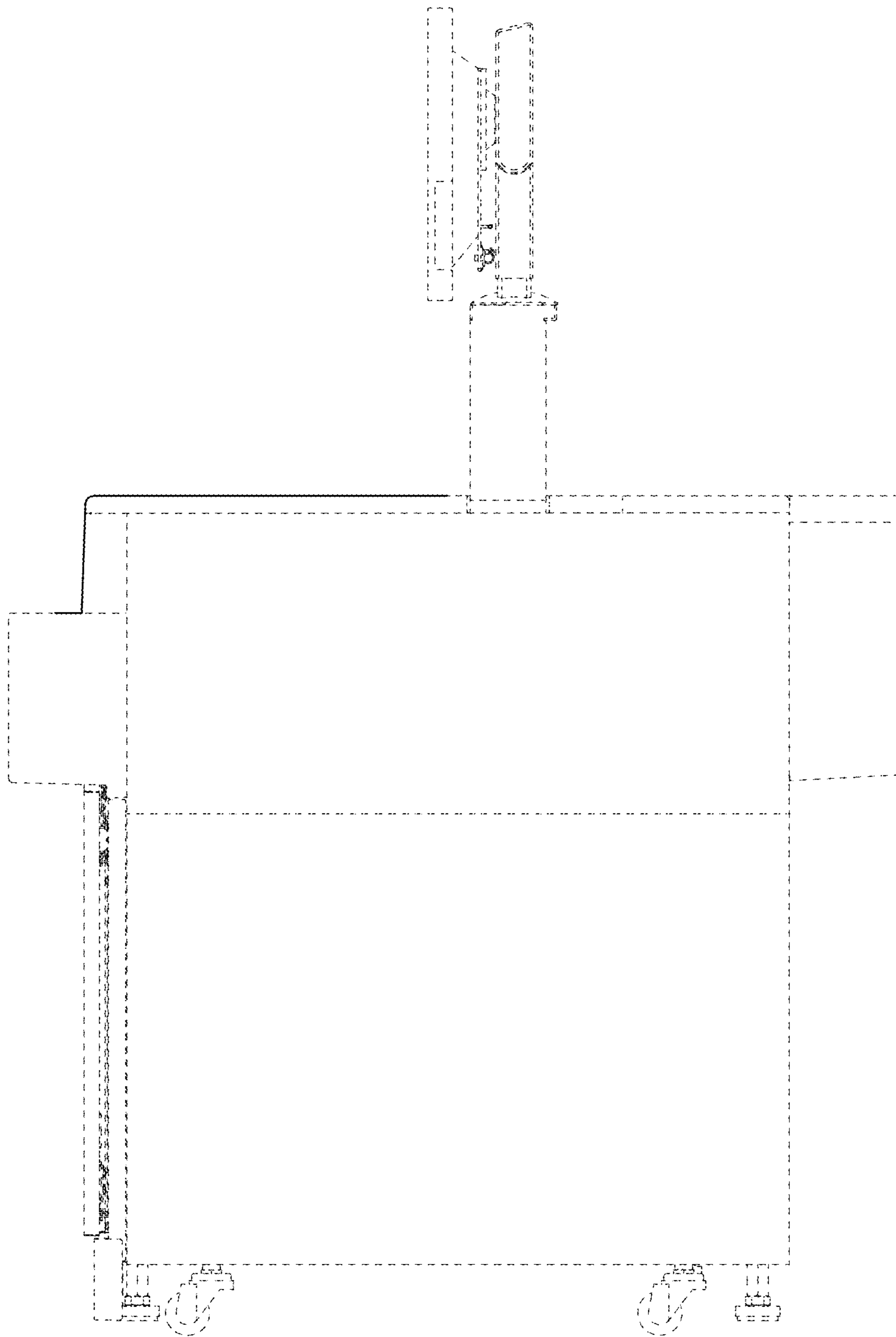


FIG. 3

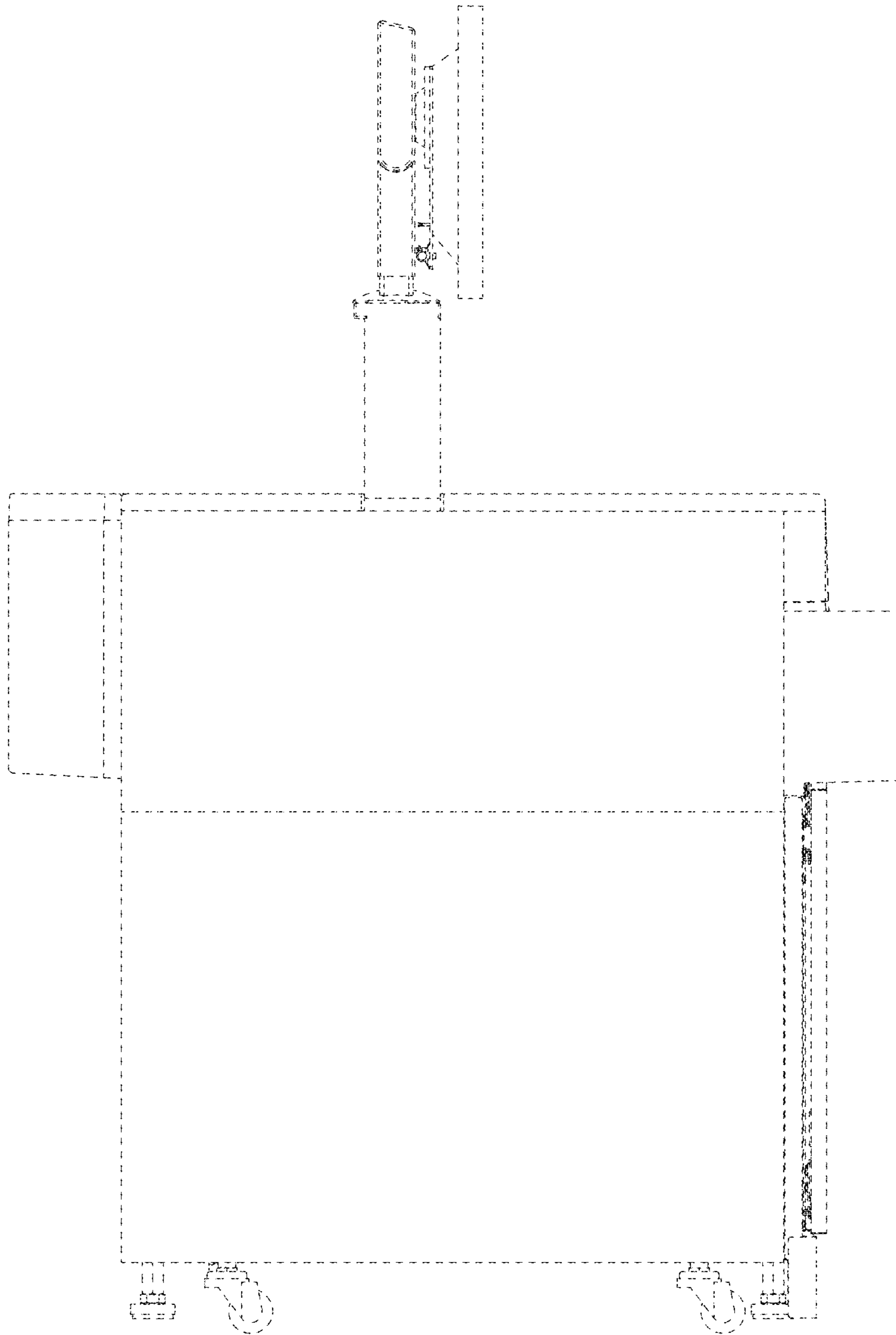


FIG. 4

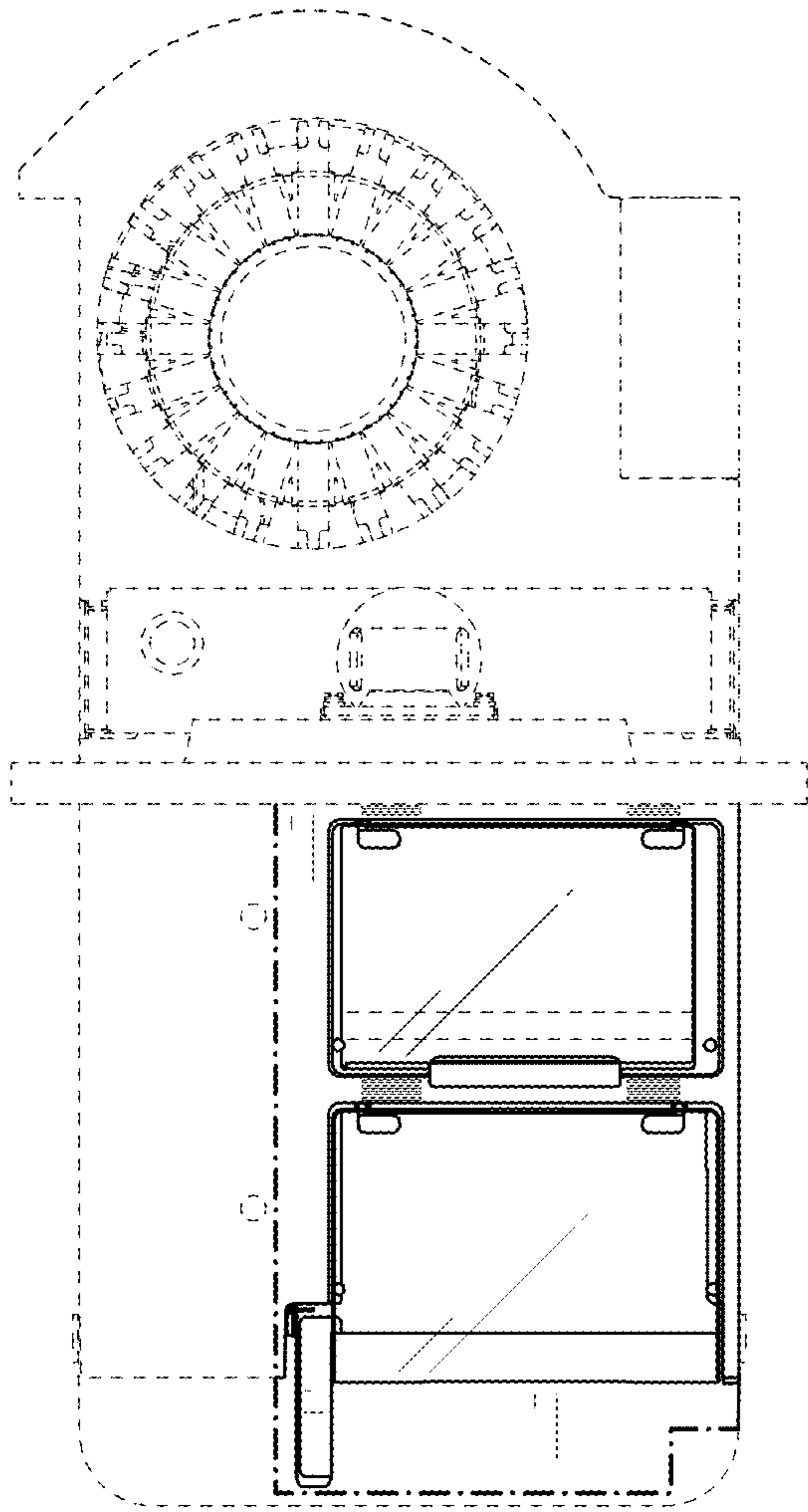


FIG. 5

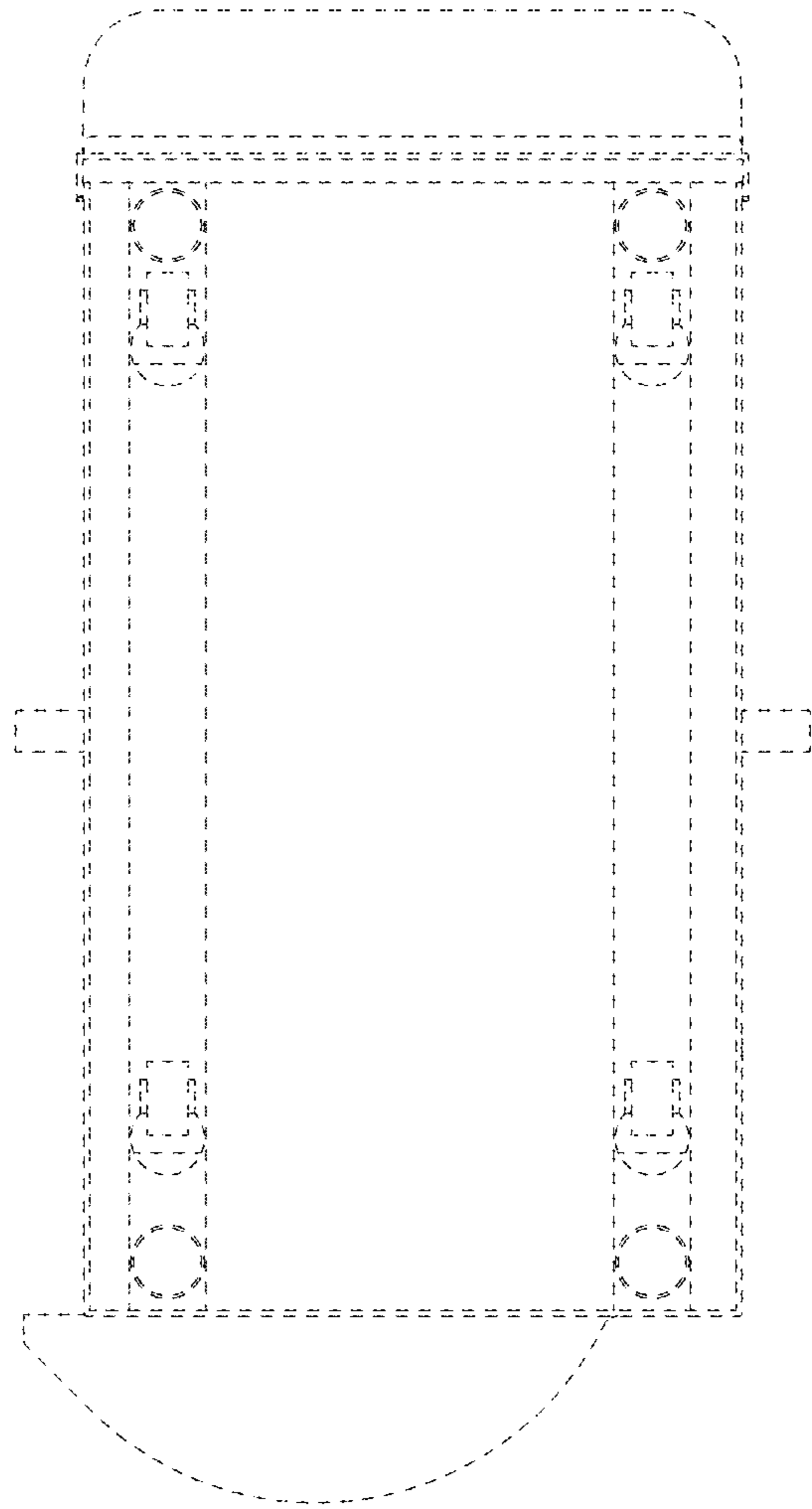


FIG. 6

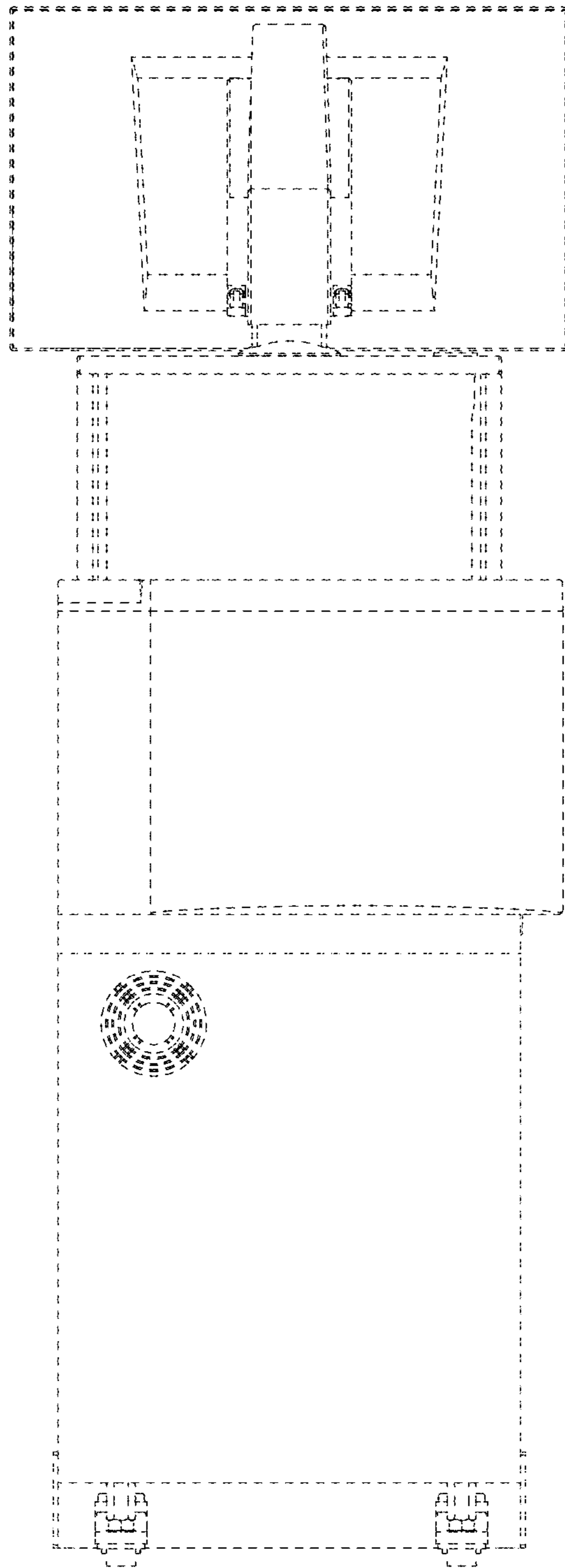


FIG. 7

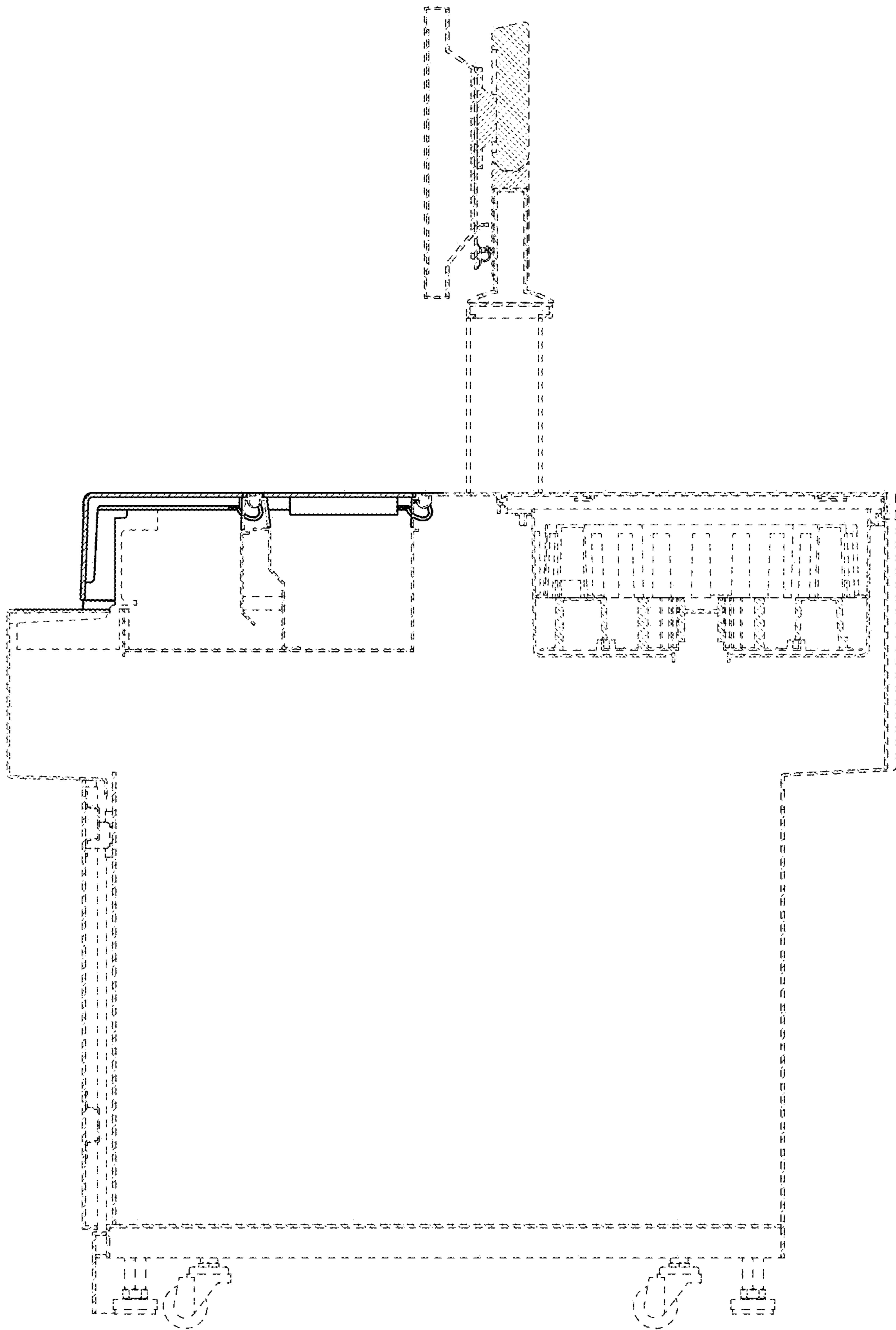


FIG. 8

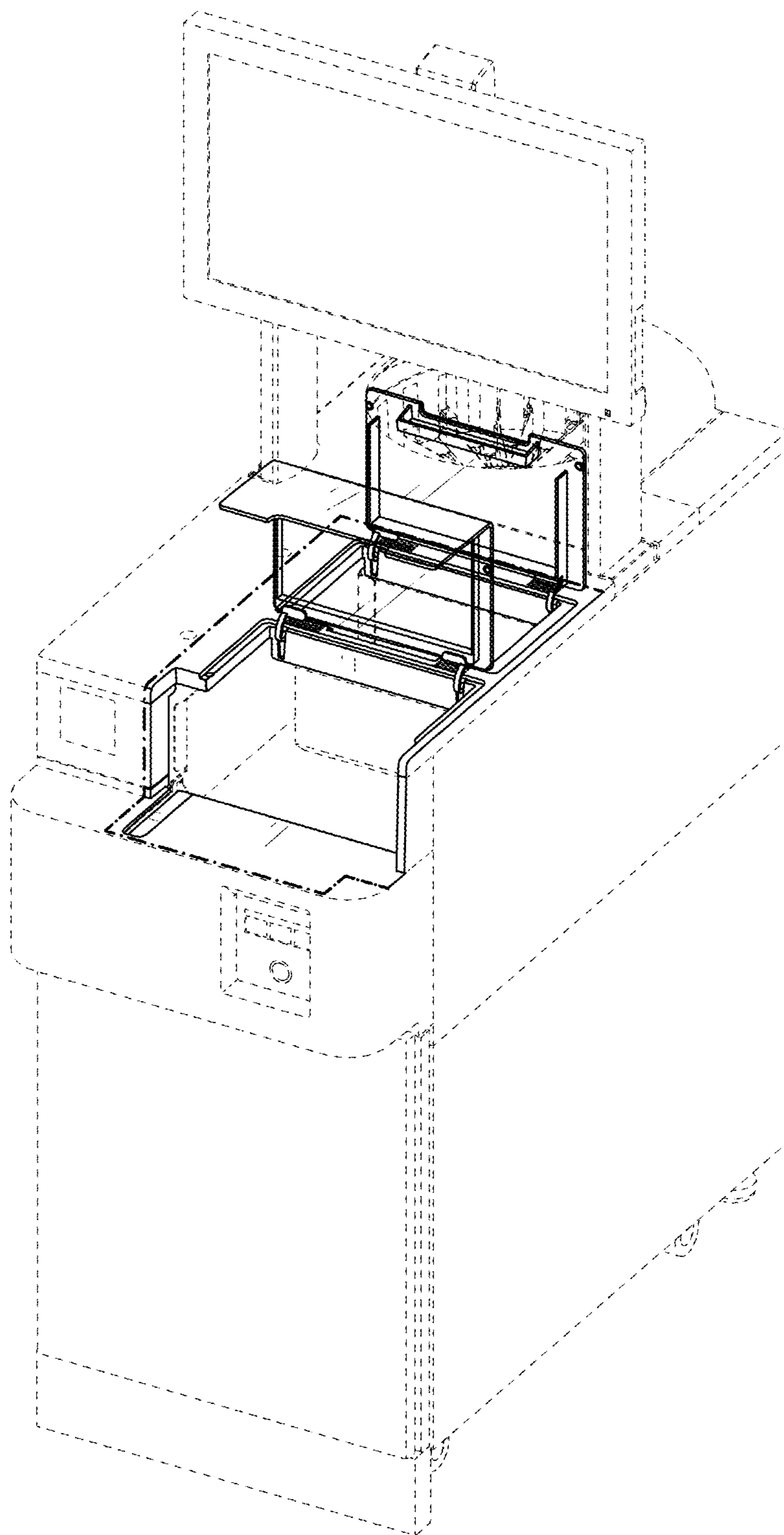


FIG. 9