



US00D909609S

(12) **United States Design Patent** (10) **Patent No.:** **US D909,609 S**  
**Masuda et al.** (45) **Date of Patent:** **\*\* Feb. 2, 2021**

(54) **CLINICAL ANALYZER**  
(71) Applicant: **Hitachi High-Tech Corporation**,  
Tokyo (JP)  
(72) Inventors: **Ai Masuda**, Tokyo (JP); **Akira Kojima**, Tokyo (JP); **Takashi Yamamoto**, Tokyo (JP); **Young Han Yoon**, Tokyo (JP); **Akihiro Yasui**, Tokyo (JP); **Takenori Okusa**, Tokyo (JP)

D681,227 S \* 4/2013 Oonuma ..... D24/216  
D681,228 S \* 4/2013 Oonuma ..... D24/216  
D729,399 S \* 5/2015 Oonuma ..... D24/216  
D833,640 S \* 11/2018 Kurz-Ottenwaelder ..... D24/231  
D838,383 S \* 1/2019 Masuda ..... D24/232  
D846,138 S \* 4/2019 Masuda ..... D24/216  
D846,139 S \* 4/2019 Masuda ..... D24/216  
D849,264 S \* 5/2019 Masuda ..... D24/216  
2014/0241945 A1 \* 8/2014 Oonuma ..... G01N 21/51  
422/64  
2015/0276566 A1 \* 10/2015 Berntsen ..... G01N 35/021  
435/309.1

(Continued)

(73) Assignee: **Hitachi High-Tech Corporation**,  
Tokyo (JP)

*Primary Examiner* — Anhdao Doan  
(74) *Attorney, Agent, or Firm* — Crowell & Moring LLP

(\*\*) Term: **15 Years**

(57) **CLAIM**

(21) Appl. No.: **29/713,053**

The ornamental design for a clinical analyzer, as shown and described.

(22) Filed: **Nov. 13, 2019**

**DESCRIPTION**

(30) **Foreign Application Priority Data**

May 14, 2019 (JP) ..... 2019-010427

(51) **LOC (13) Cl.** ..... **24-01**

(52) **U.S. Cl.**  
USPC ..... **D24/232**

(58) **Field of Classification Search**  
USPC ..... D24/107, 185, 186, 216–219, 231–234;  
D10/81  
CPC ..... G01N 2035/00306; G01N 2035/00326;  
G01N 2035/00336; G01N 2030/027;  
G01N 21/6458; G01N 21/6484; G01N  
21/6486; G01N 21/76  
See application file for complete search history.

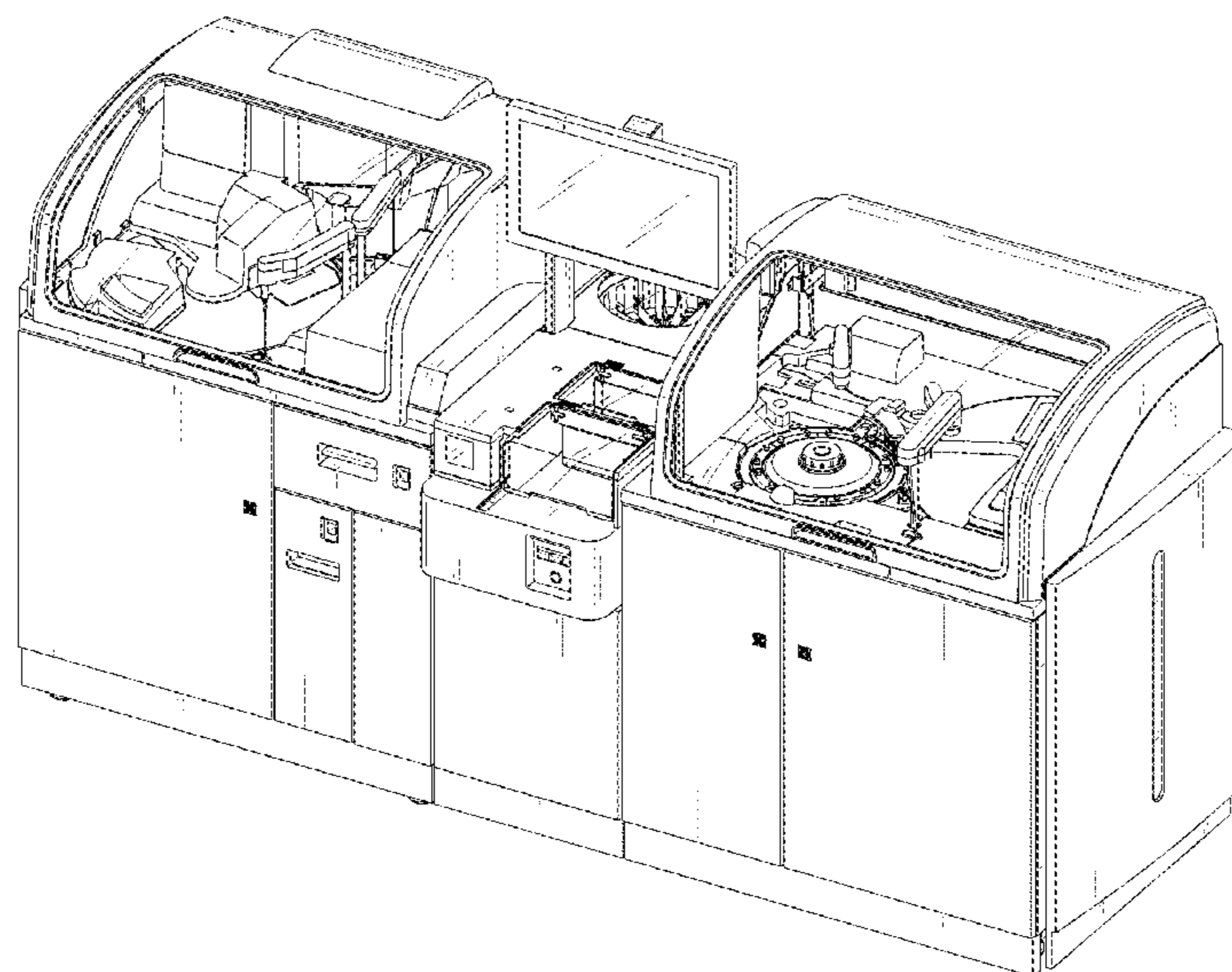
FIG. 1 is a front, top and right side perspective view of a clinical analyzer according to the design;  
FIG. 2 is a front view thereof;  
FIG. 3 is a left side view thereof;  
FIG. 4 is a right side view thereof;  
FIG. 5 is a top plan view thereof;  
FIG. 6 is a bottom plan view thereof;  
FIG. 7 is a rear view thereof;  
FIG. 8 is an enlarged cross-sectional view taken along line 8-8 of FIG. 2;  
FIG. 9 is an enlarged cross-sectional view taken along line 9-9 of FIG. 2;  
FIG. 10 is an enlarged cross-sectional view taken along line 10-10 of FIG. 2; and,  
FIG. 11 is a front, top and right side perspective view thereof shown in an opened position.  
The broken lines illustrate portions of the clinical analyzer that from no part of the claimed design. The broken lines form no part of the claimed design.

(56) **References Cited**

**U.S. PATENT DOCUMENTS**

6,521,183 B1 \* 2/2003 Burri ..... G01N 35/026  
422/65  
D681,226 S \* 4/2013 Oonuma ..... D24/216

**1 Claim, 9 Drawing Sheets**



(56)

**References Cited**

U.S. PATENT DOCUMENTS

2016/0195563 A1\* 7/2016 Oonuma ..... G01N 35/025  
422/64

\* cited by examiner

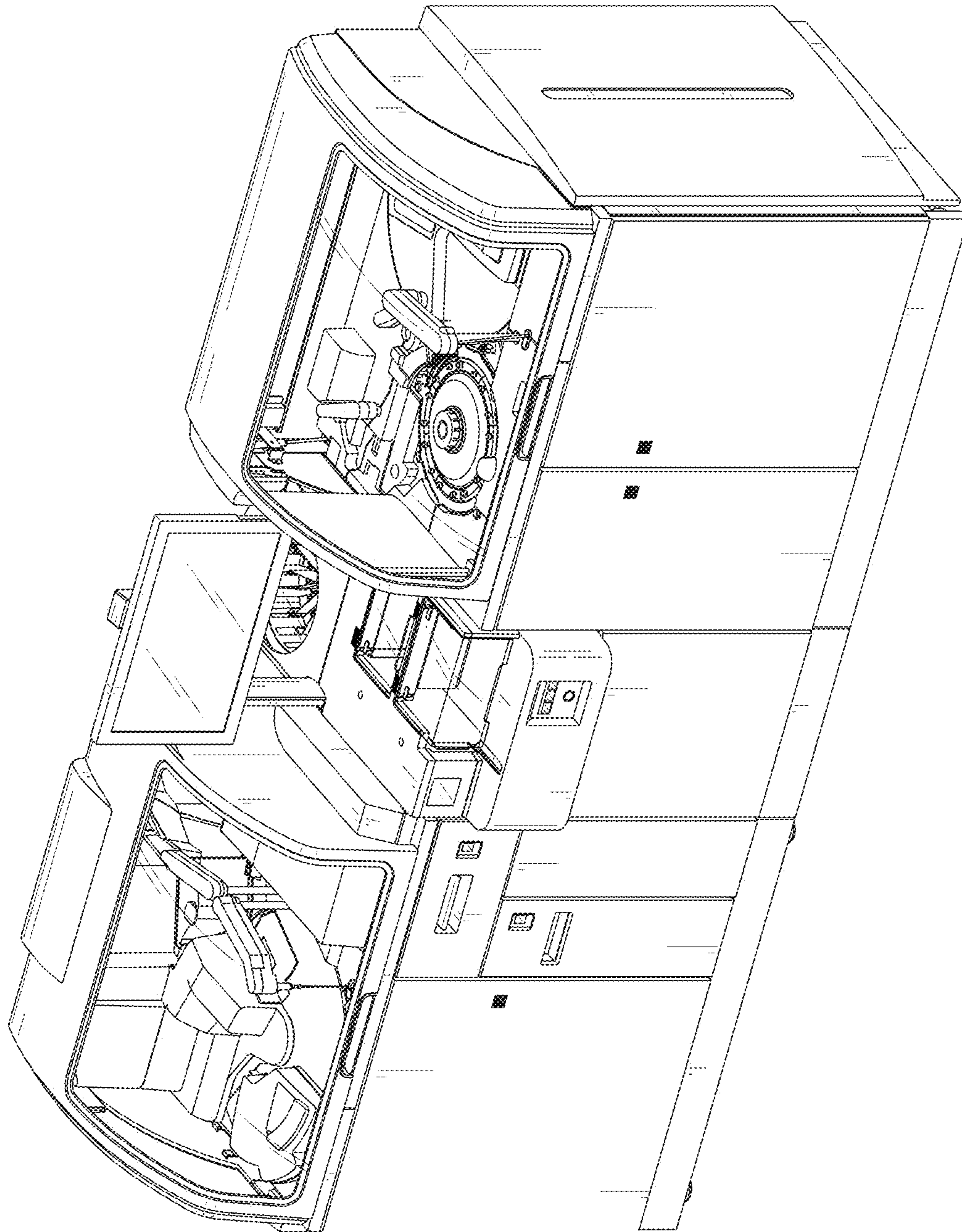


FIG. 1

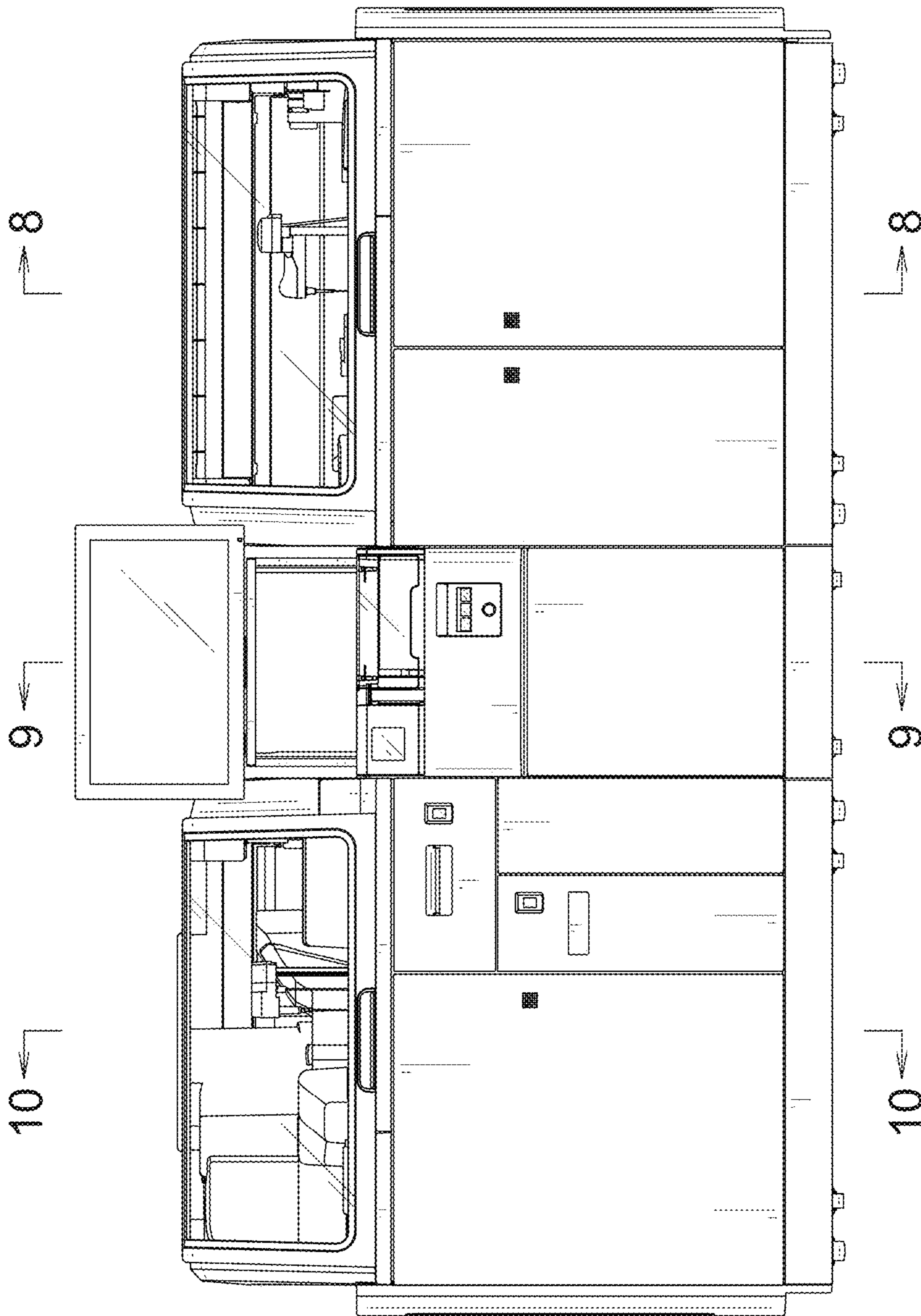


FIG. 2

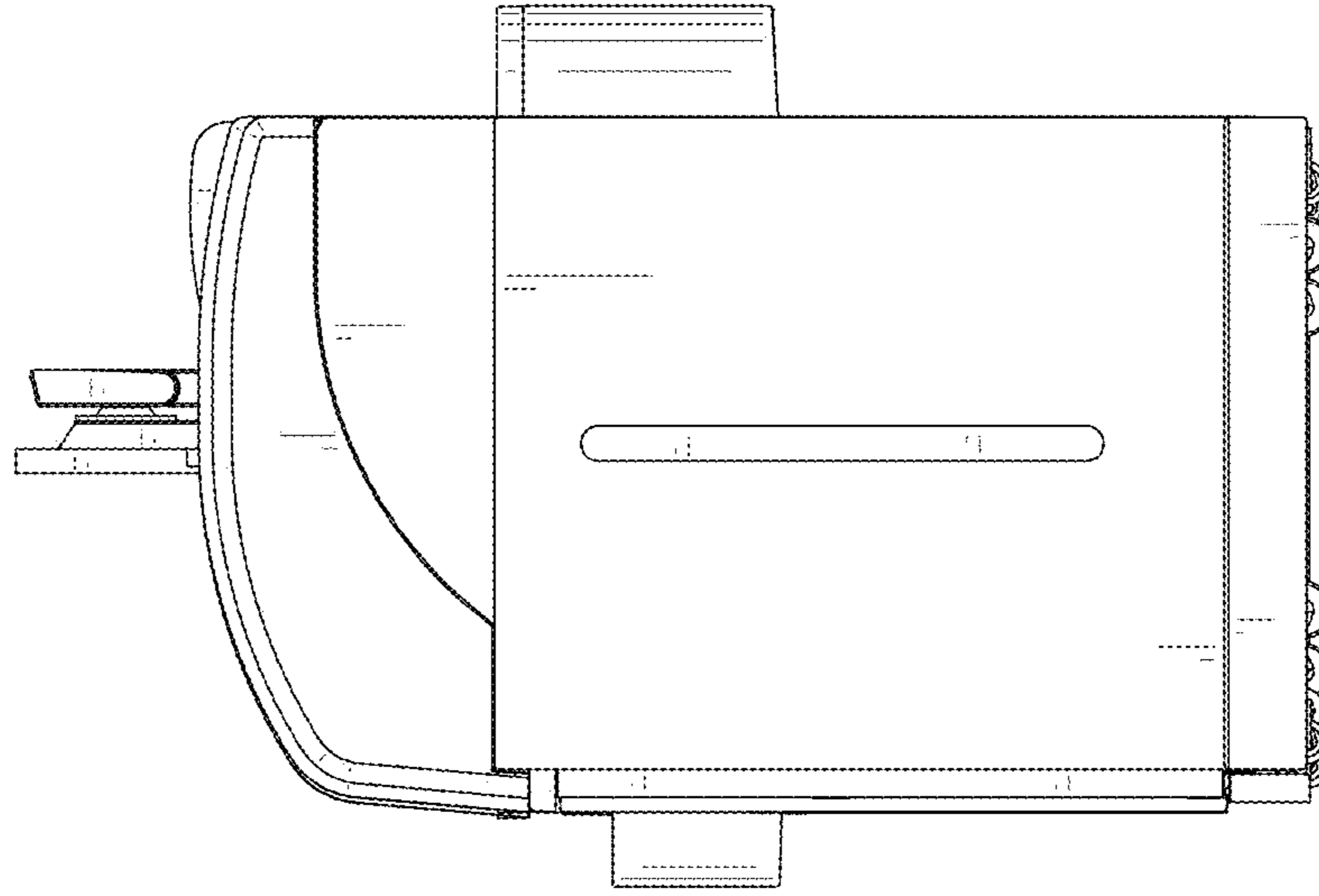


FIG. 4

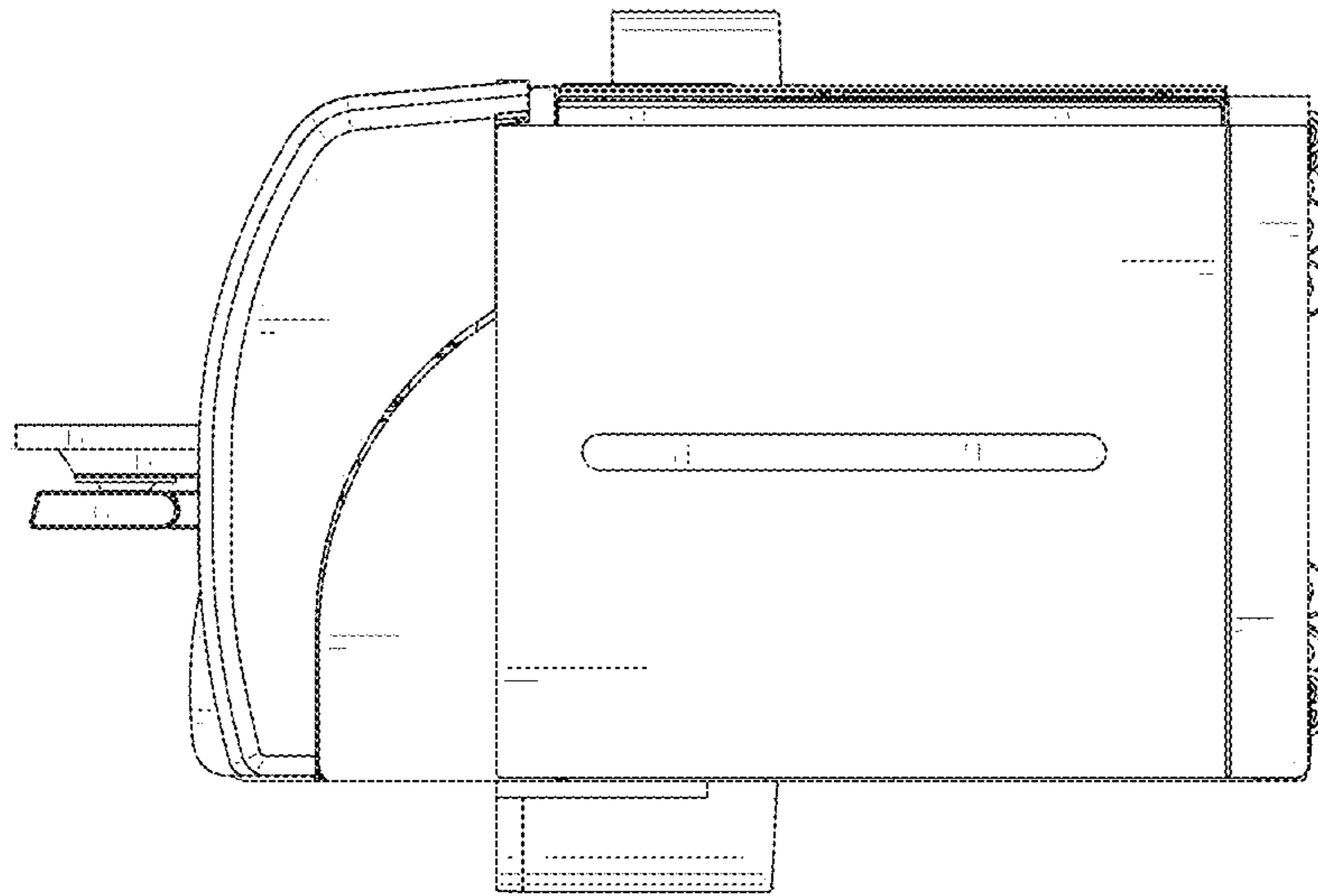


FIG. 3

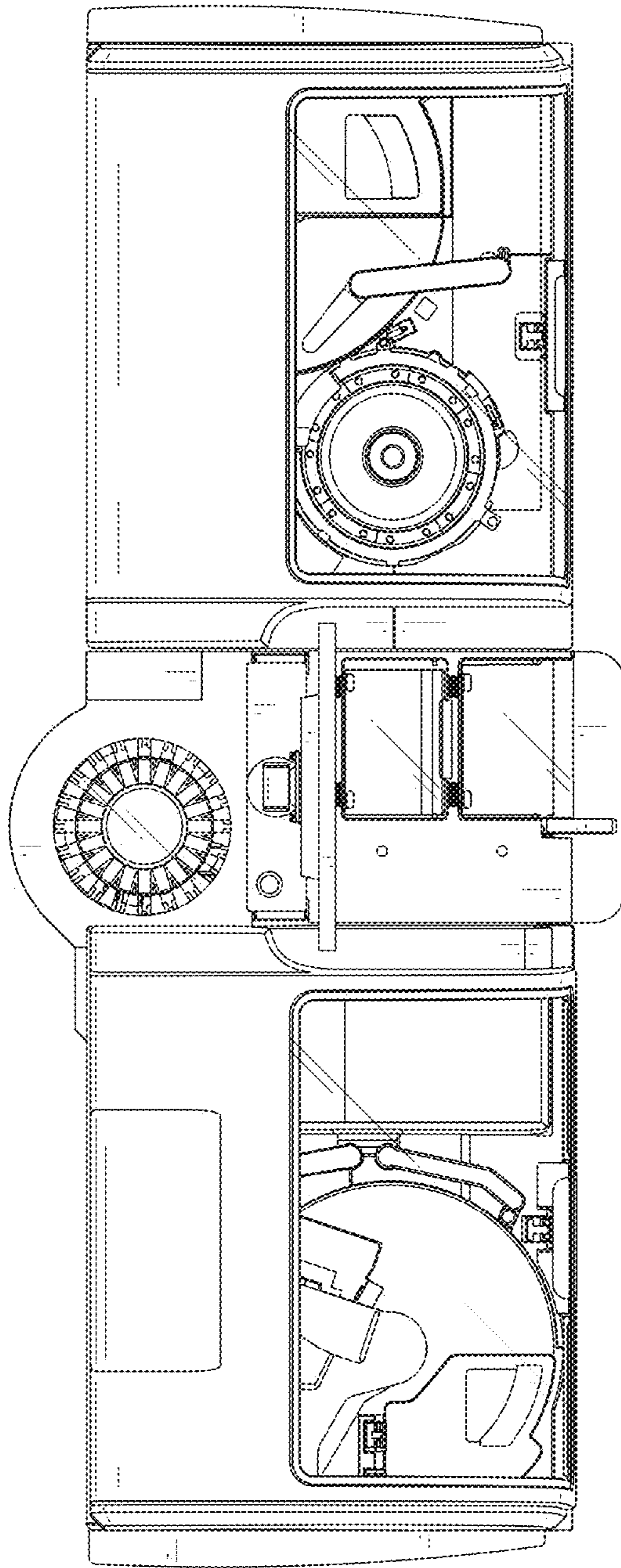


FIG. 5

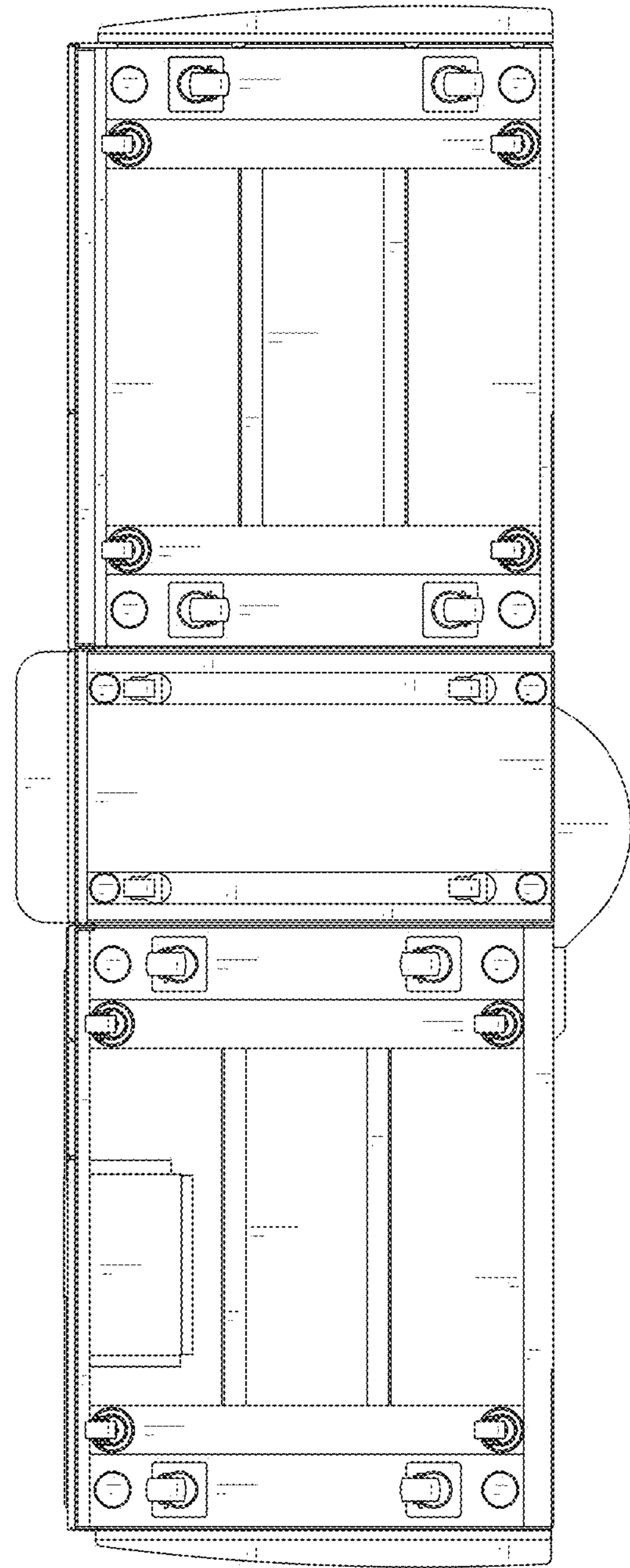


FIG. 6

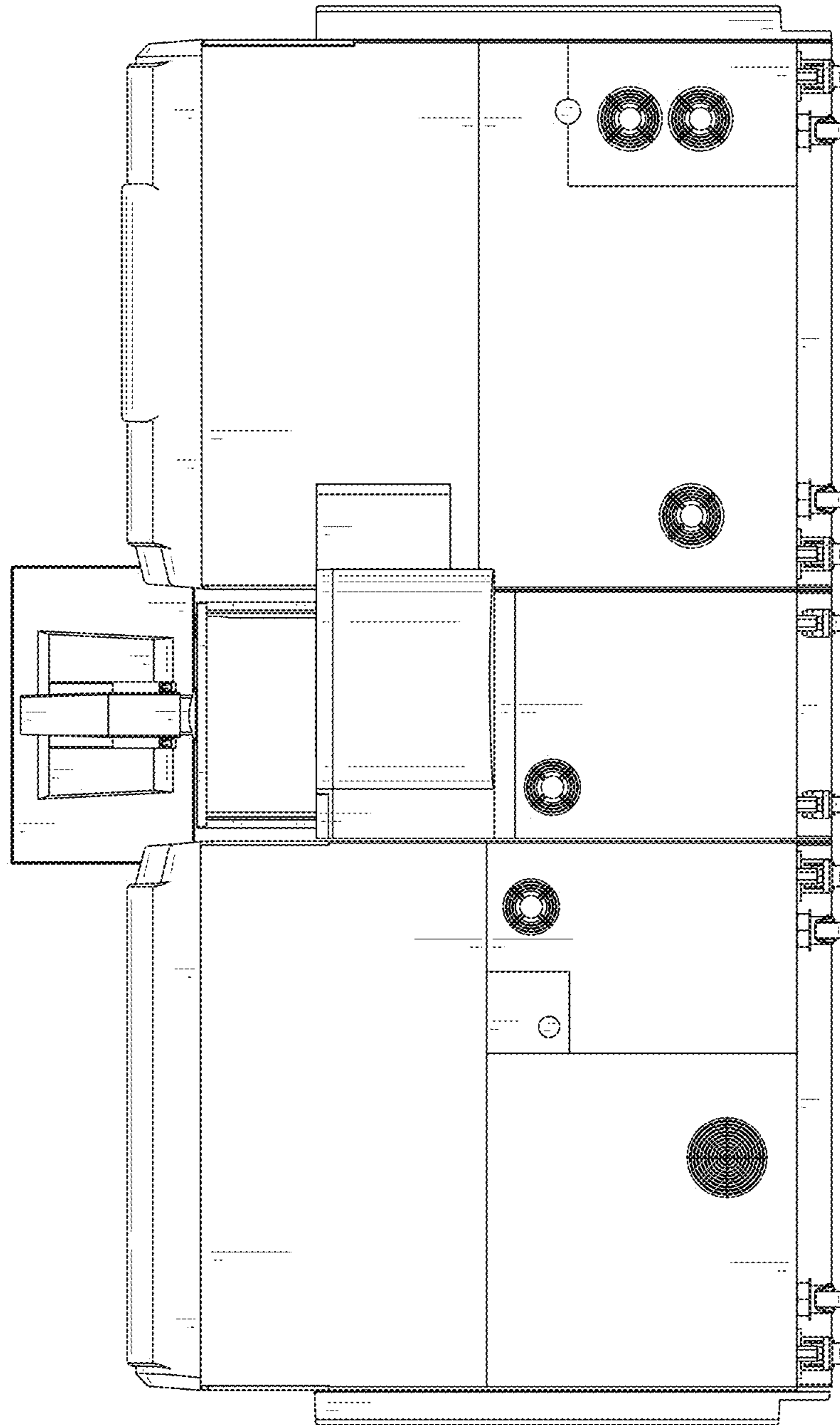


FIG. 7

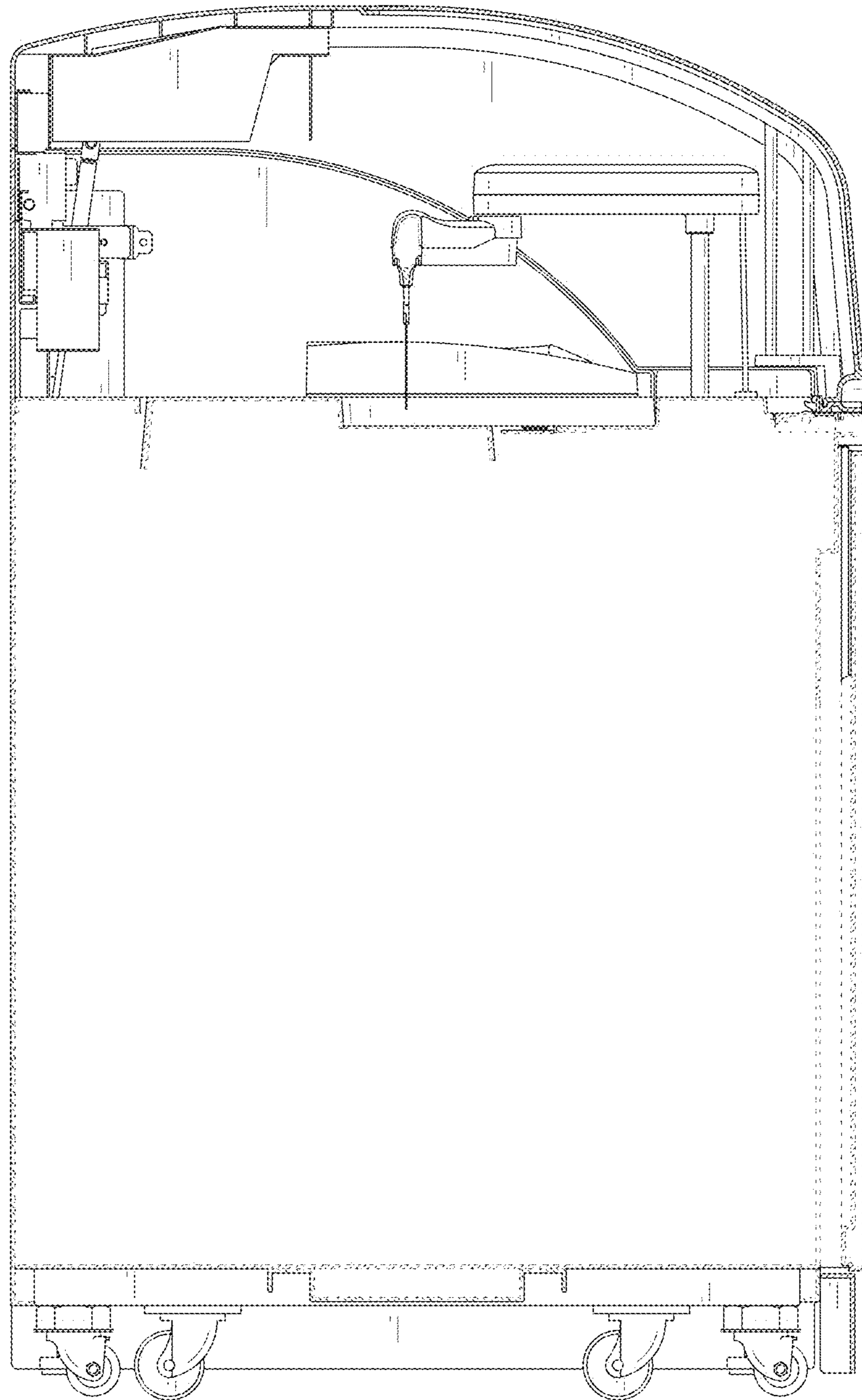


FIG. 8



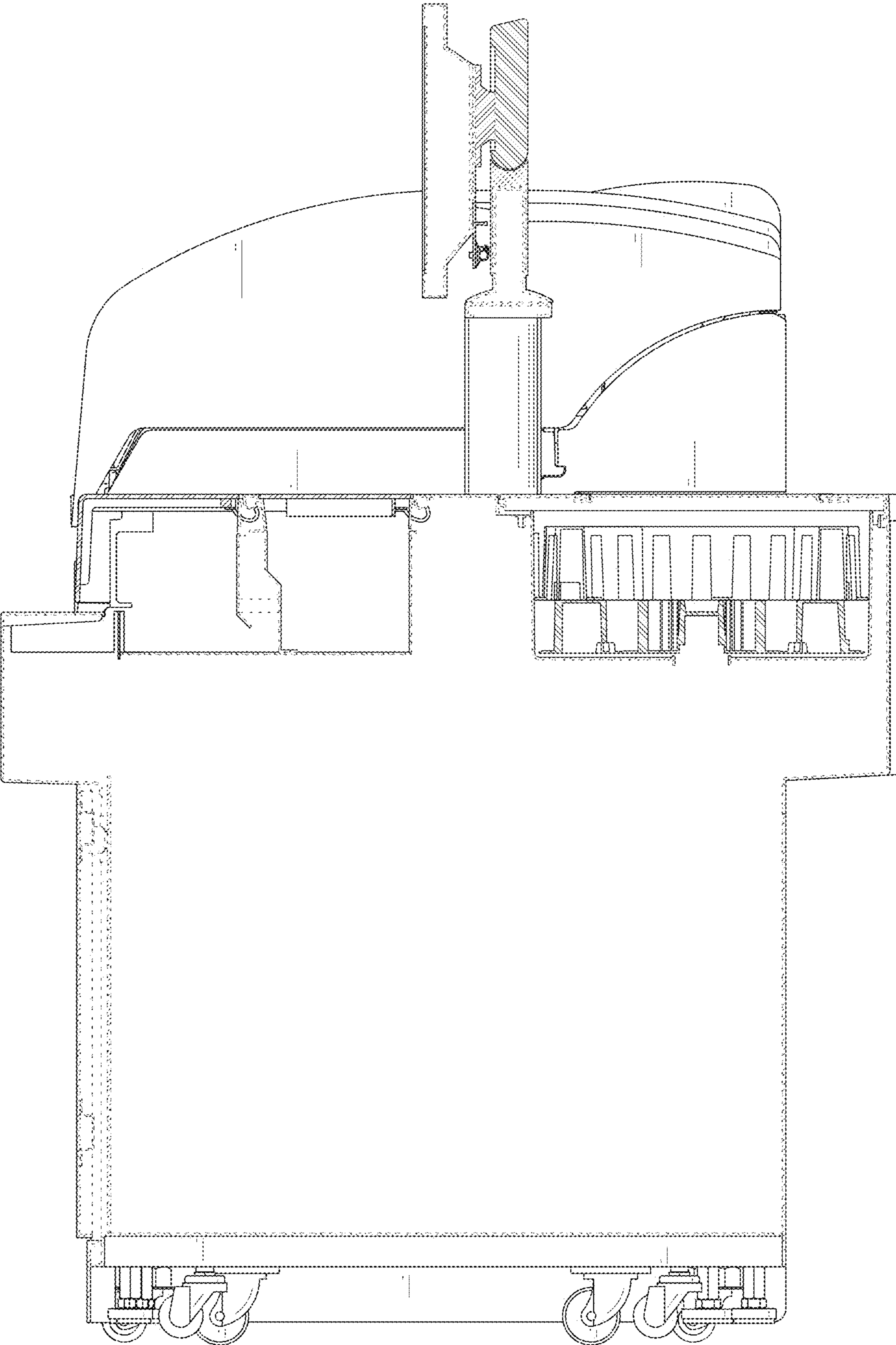


FIG. 9

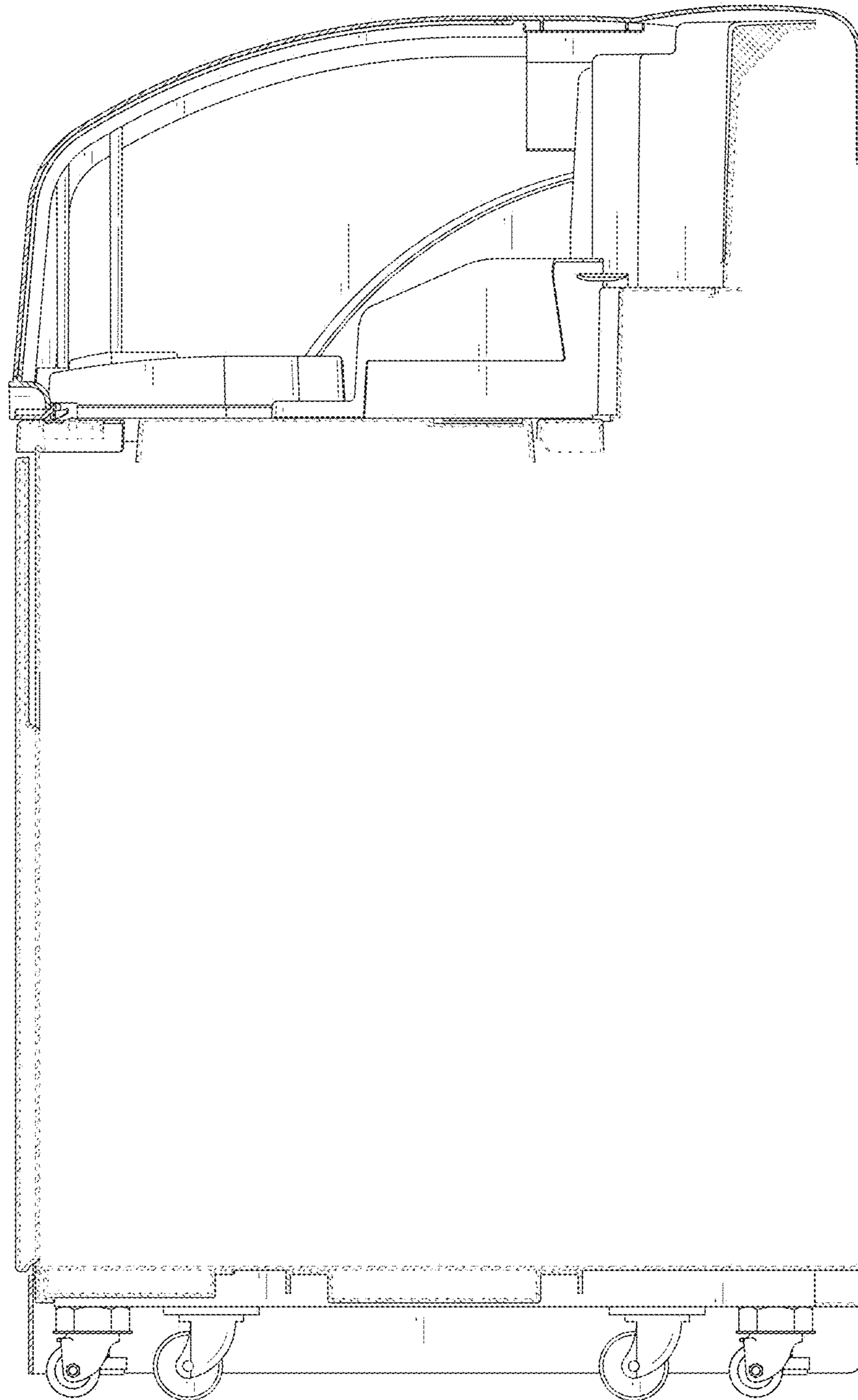


FIG. 10

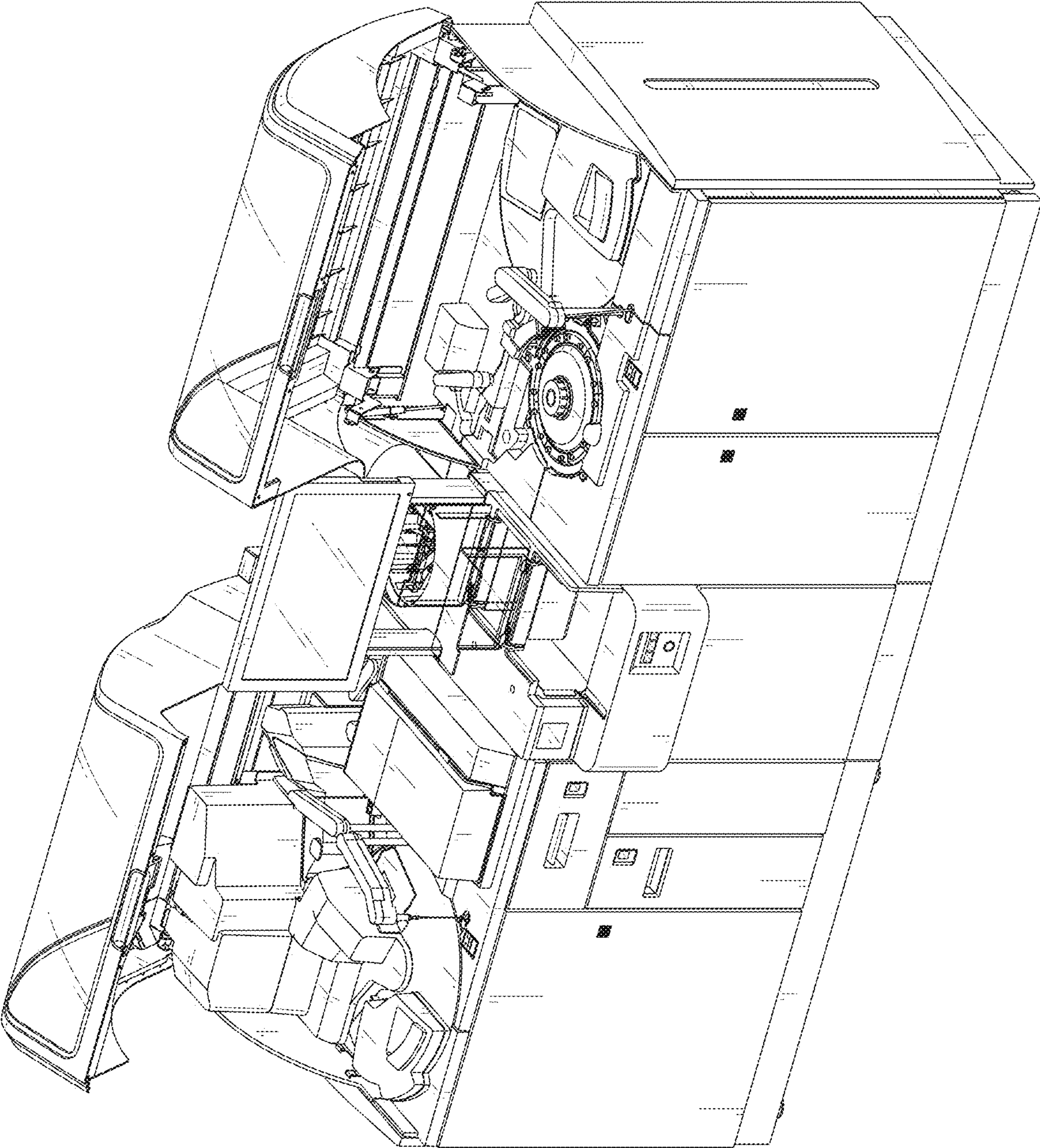


FIG. 11