



US00D909608S

(12) **United States Design Patent** (10) **Patent No.:** **US D909,608 S**
Masuda et al. (45) **Date of Patent:** **** Feb. 2, 2021**

(54) **CLINICAL ANALYZER**
(71) Applicant: **Hitachi High-Tech Corporation,**
Tokyo (JP)
(72) Inventors: **Ai Masuda,** Tokyo (JP); **Akira Kojima,** Tokyo (JP); **Takashi Yamamoto,** Tokyo (JP); **Young Han Yoon,** Tokyo (JP); **Akihiro Yasui,** Tokyo (JP); **Takenori Okusa,** Tokyo (JP)
(73) Assignee: **Hitachi High-Tech Corporation,** Tokyo (JP)

D681,227 S * 4/2013 Oonuma D24/216
D681,228 S * 4/2013 Oonuma D24/216
D729,399 S * 5/2015 Oonuma D24/216
D833,640 S * 11/2018 Kurz-Ottenwaelder D24/231
D838,383 S * 1/2019 Masuda D24/232
D846,138 S * 4/2019 Masuda D24/216
D846,139 S * 4/2019 Masuda D24/216
D849,264 S * 5/2019 Masuda D24/216
2014/0241945 A1 * 8/2014 Oonuma G01N 21/51
422/64
2015/0276566 A1 * 10/2015 Berntsen G01N 35/021
435/309.1
2016/0195563 A1 * 7/2016 Oonuma G01N 35/025
422/64

(**) Term: **15 Years**

* cited by examiner

Primary Examiner — Anhdao Doan

(21) Appl. No.: **29/713,044**

(74) *Attorney, Agent, or Firm* — Crowell & Moring LLP

(22) Filed: **Nov. 13, 2019**

(57) **CLAIM**

(30) **Foreign Application Priority Data**

The ornamental design for a clinical analyzer, as shown and described.

May 14, 2019 (JP) 2019-010430

DESCRIPTION

(51) **LOC (13) Cl.** **24-01**

(52) **U.S. Cl.**
USPC **D24/232**

(58) **Field of Classification Search**
USPC D24/107, 185, 186, 216–219, 231–234;
D10/81
CPC G01N 2035/00306; G01N 2035/00326;
G01N 2035/00336; G01N 2030/027;
G01N 21/6458; G01N 21/6484; G01N
21/6486; G01N 21/76
See application file for complete search history.

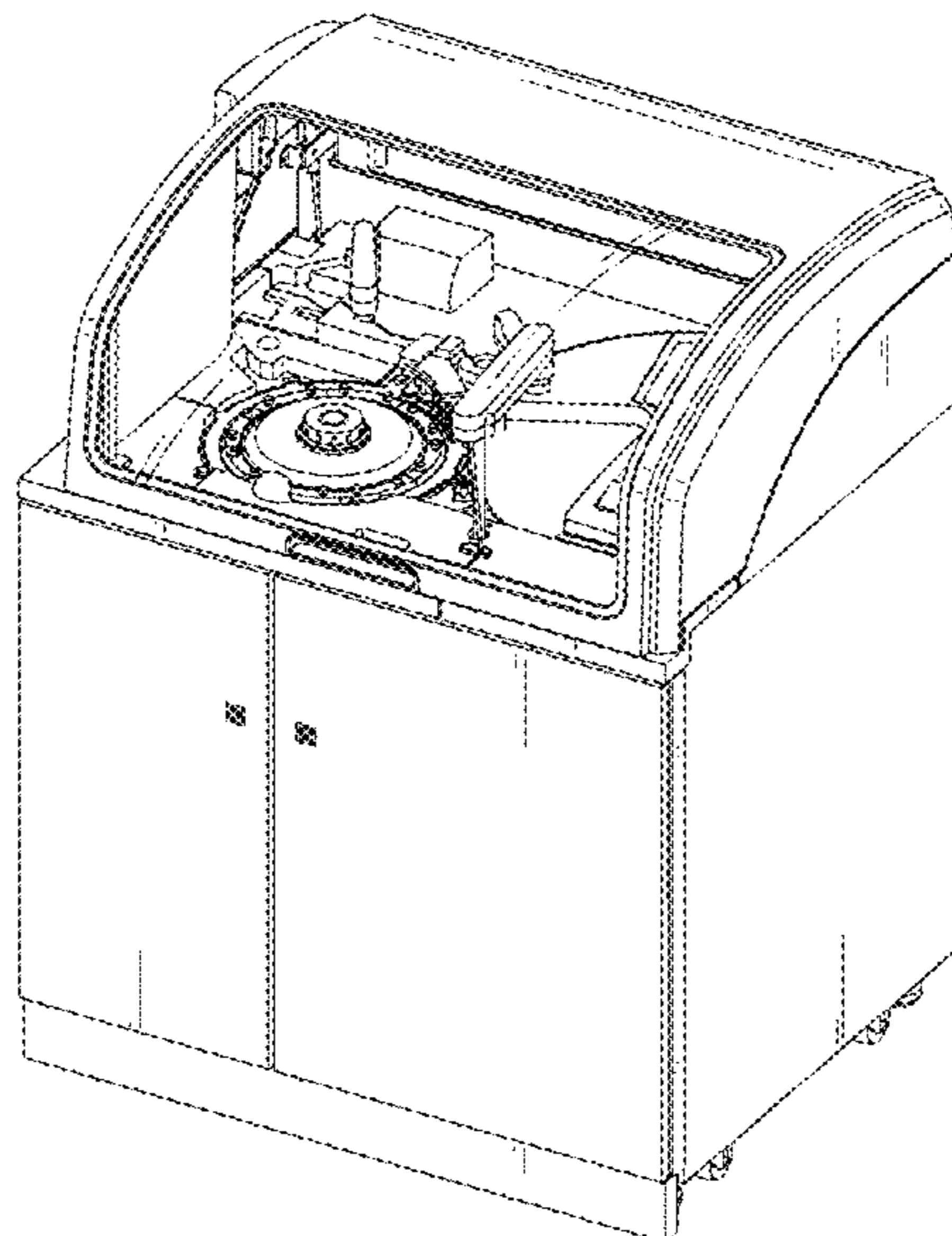
FIG. 1 is a front, top and right side perspective view of a clinical analyzer according to the design;
FIG. 2 is a front view thereof;
FIG. 3 is a right side view thereof;
FIG. 4 is a left side view thereof;
FIG. 5 is a top plan view thereof;
FIG. 6 is a bottom plan view thereof;
FIG. 7 is a rear view thereof;
FIG. 8 is an enlarged cross-sectional view taken along line 8-8 of FIG. 2; and,
FIG. 9 is a front, top and right side perspective view thereof shown in an opened position.
The broken lines illustrate portions of the clinical analyzer that from no part of the claimed design.
The broken lines form no part of the claimed design.

(56) **References Cited**

U.S. PATENT DOCUMENTS

6,521,183 B1 * 2/2003 Burri G01N 35/026
422/65
D681,226 S * 4/2013 Oonuma D24/216

1 Claim, 8 Drawing Sheets



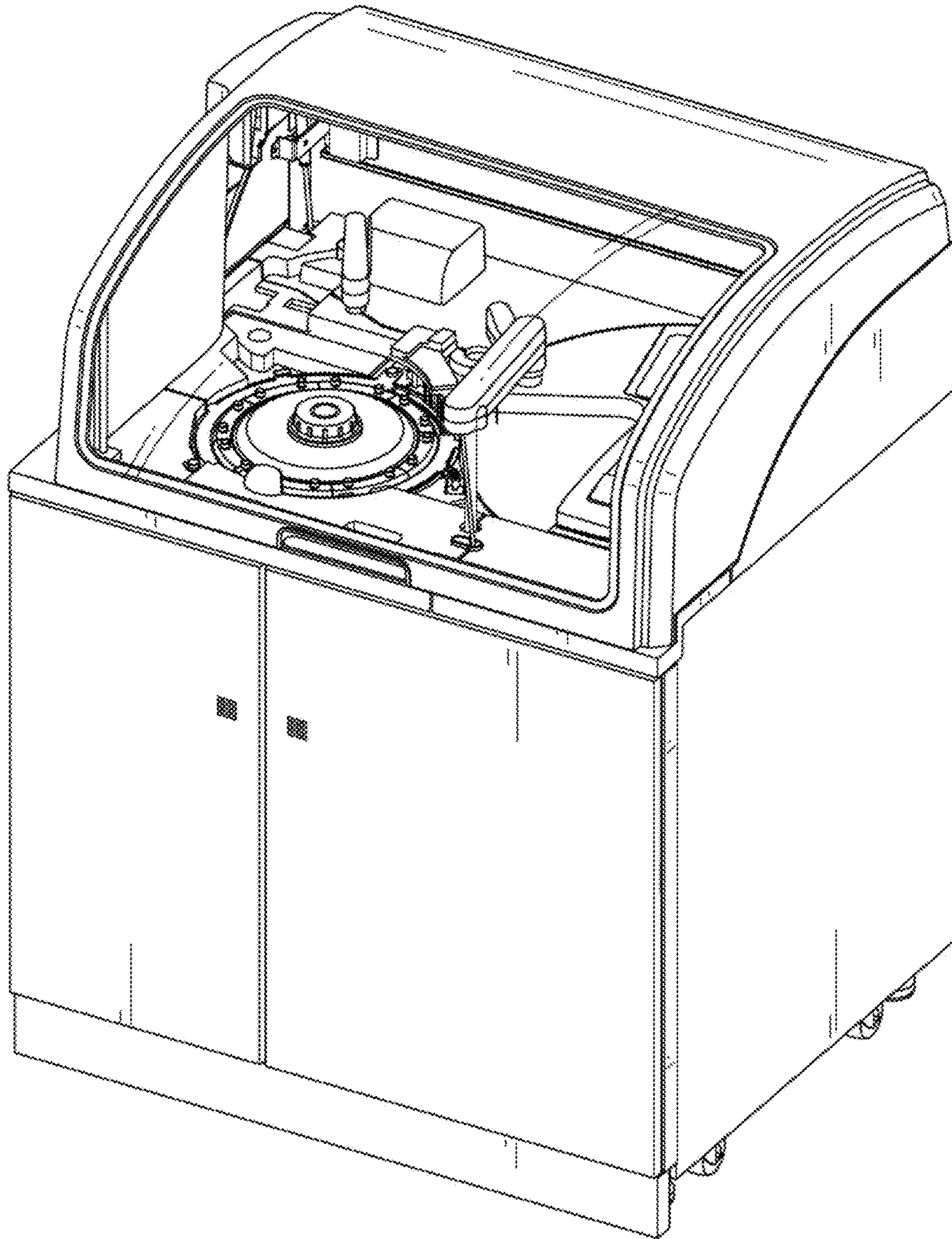


FIG. 1

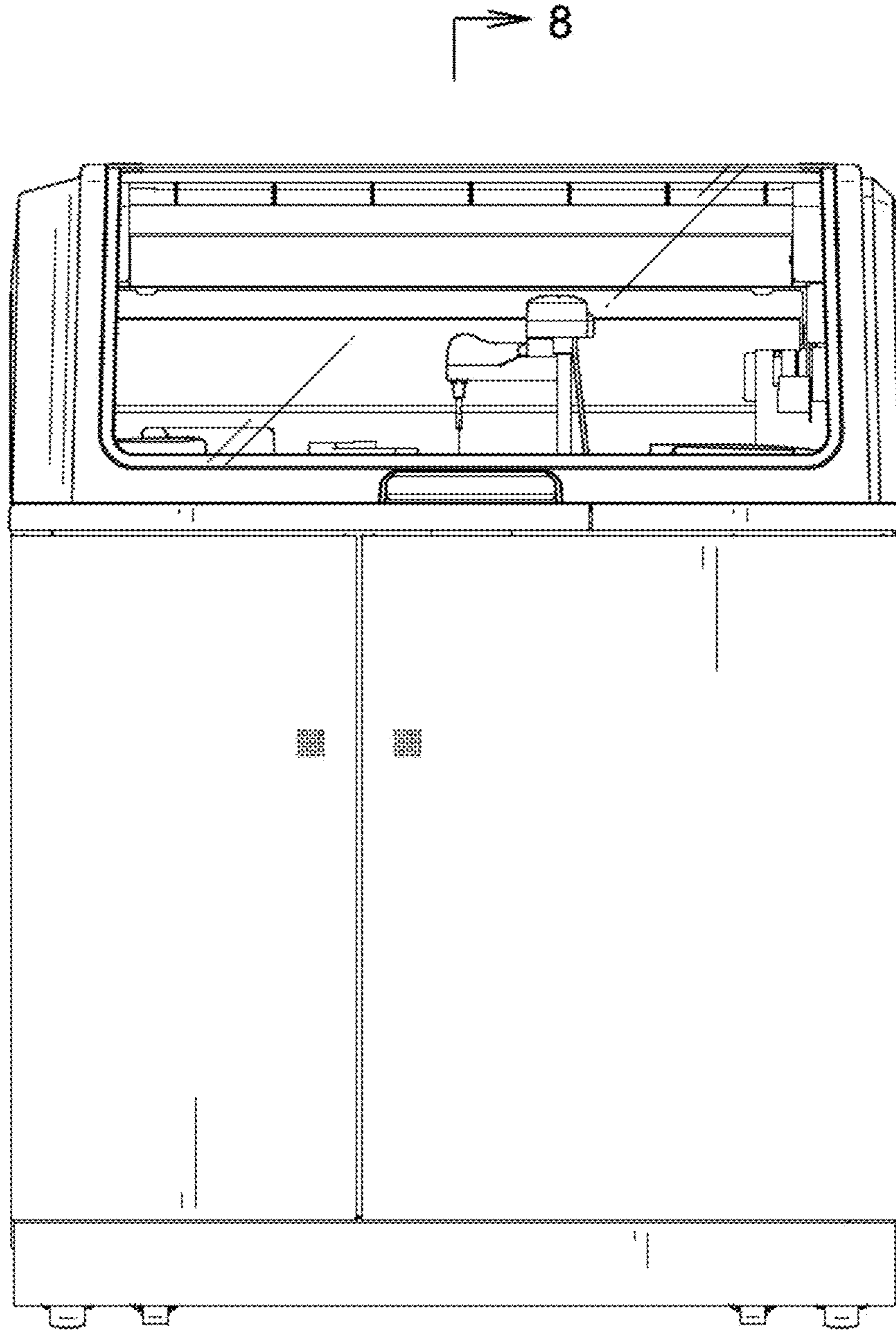


FIG. 2

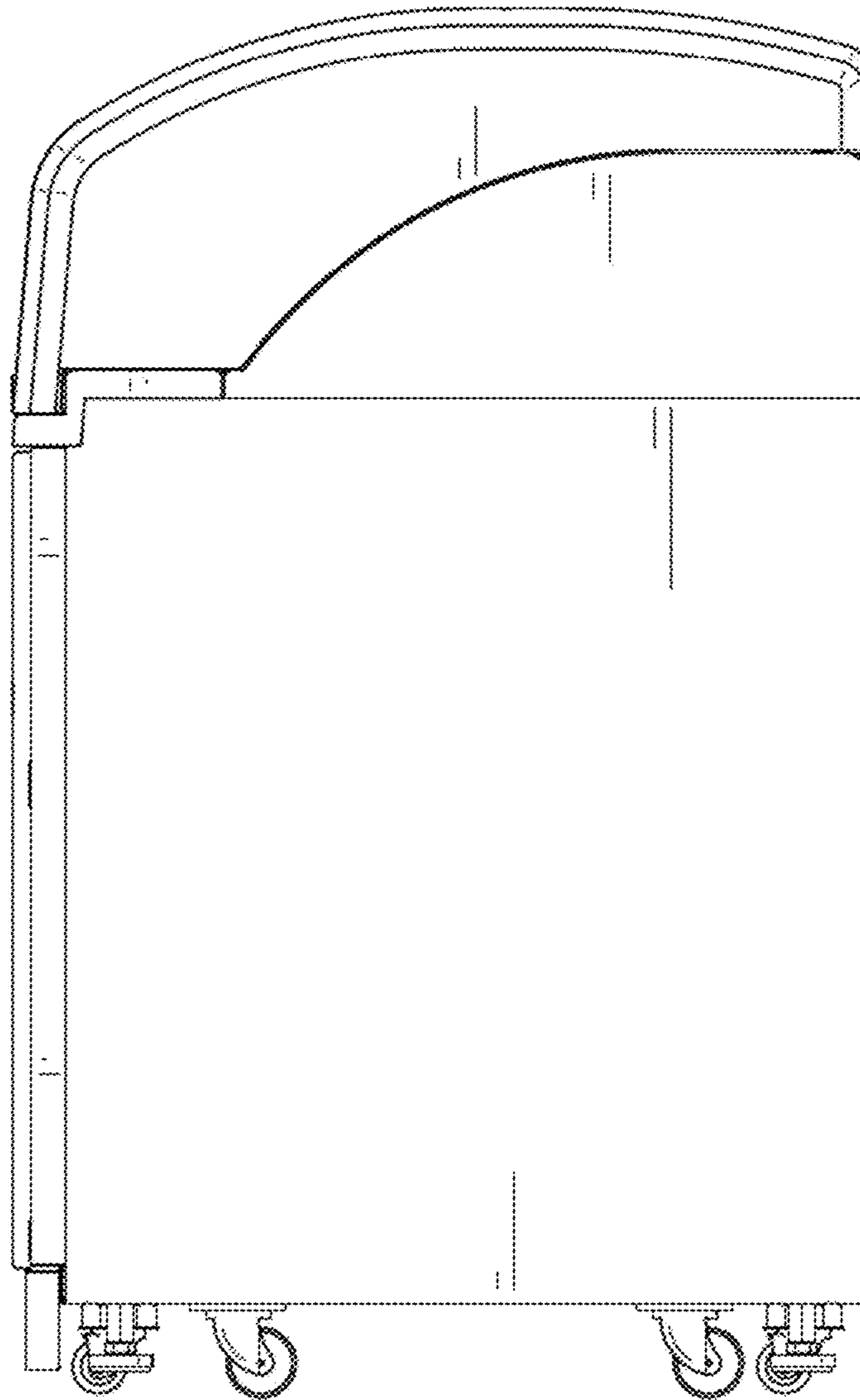


FIG. 3

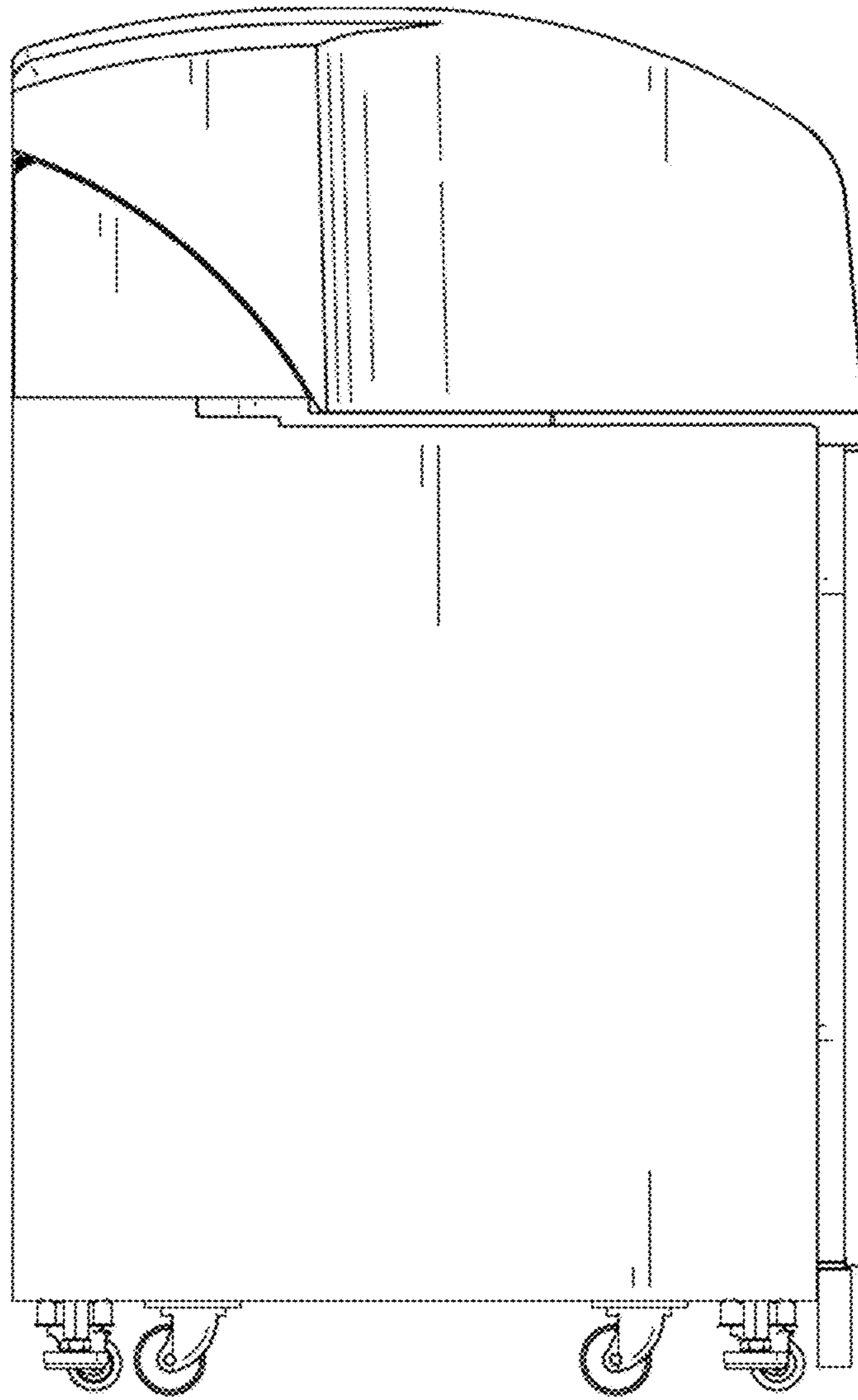


FIG. 4

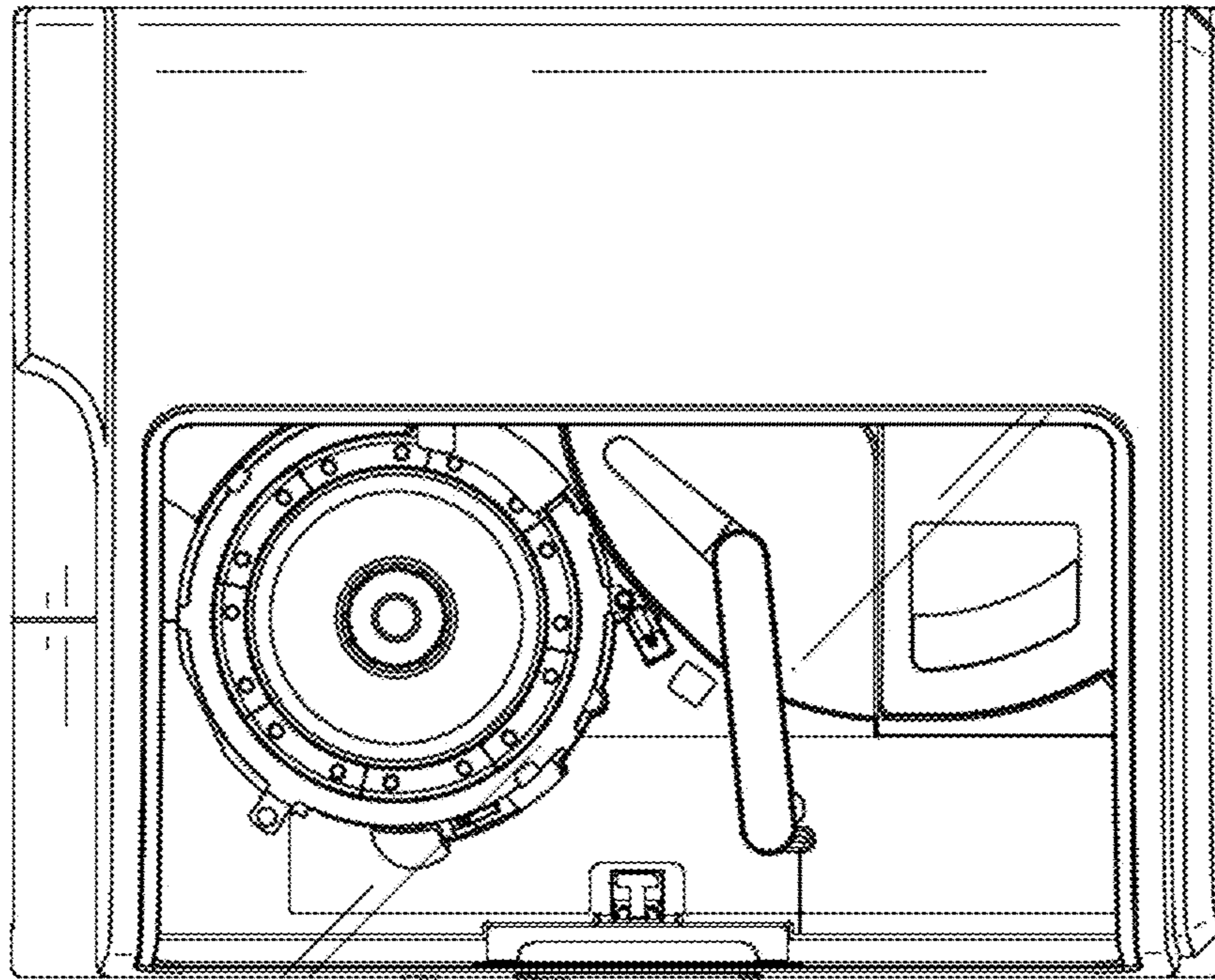


FIG. 5

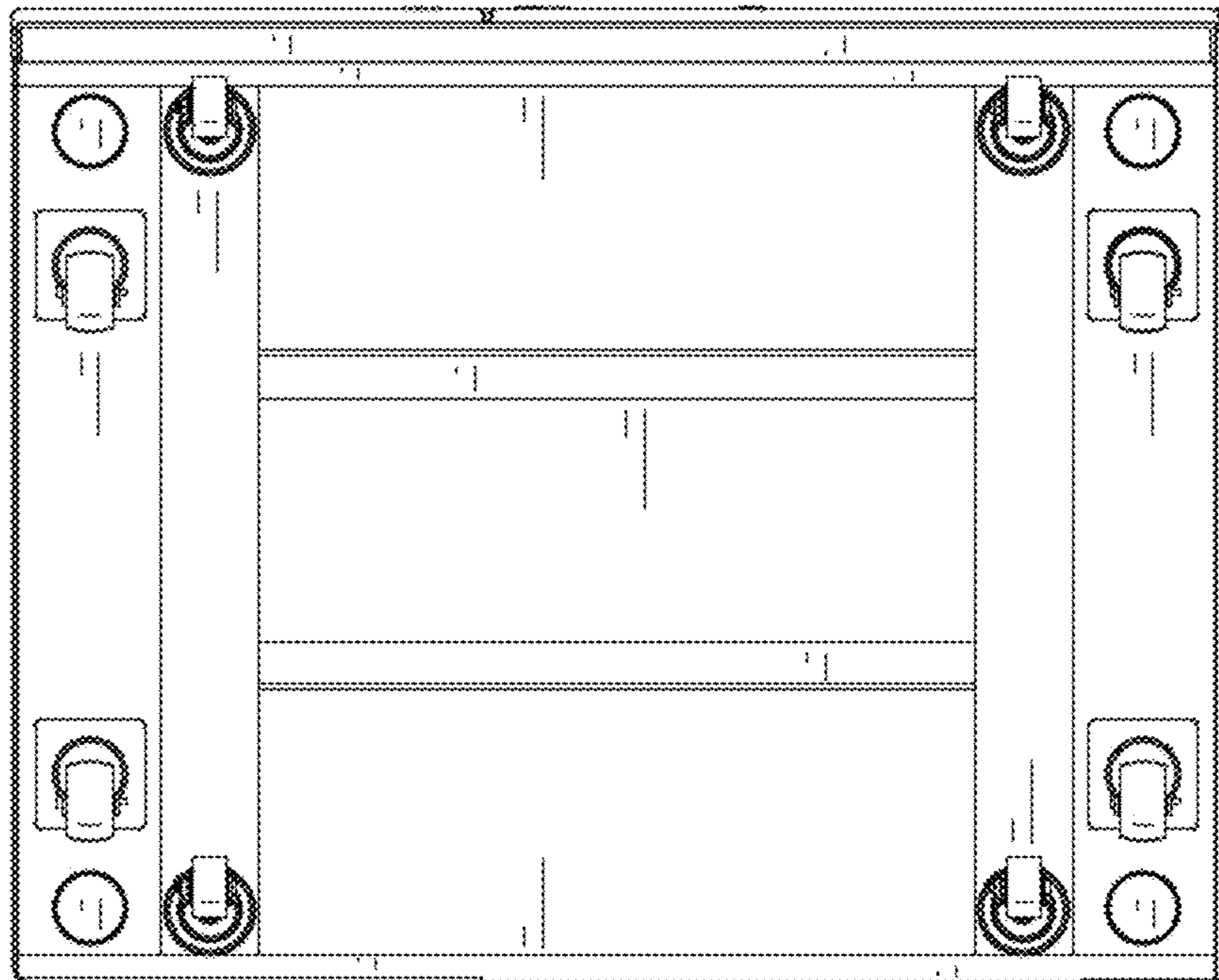


FIG. 6

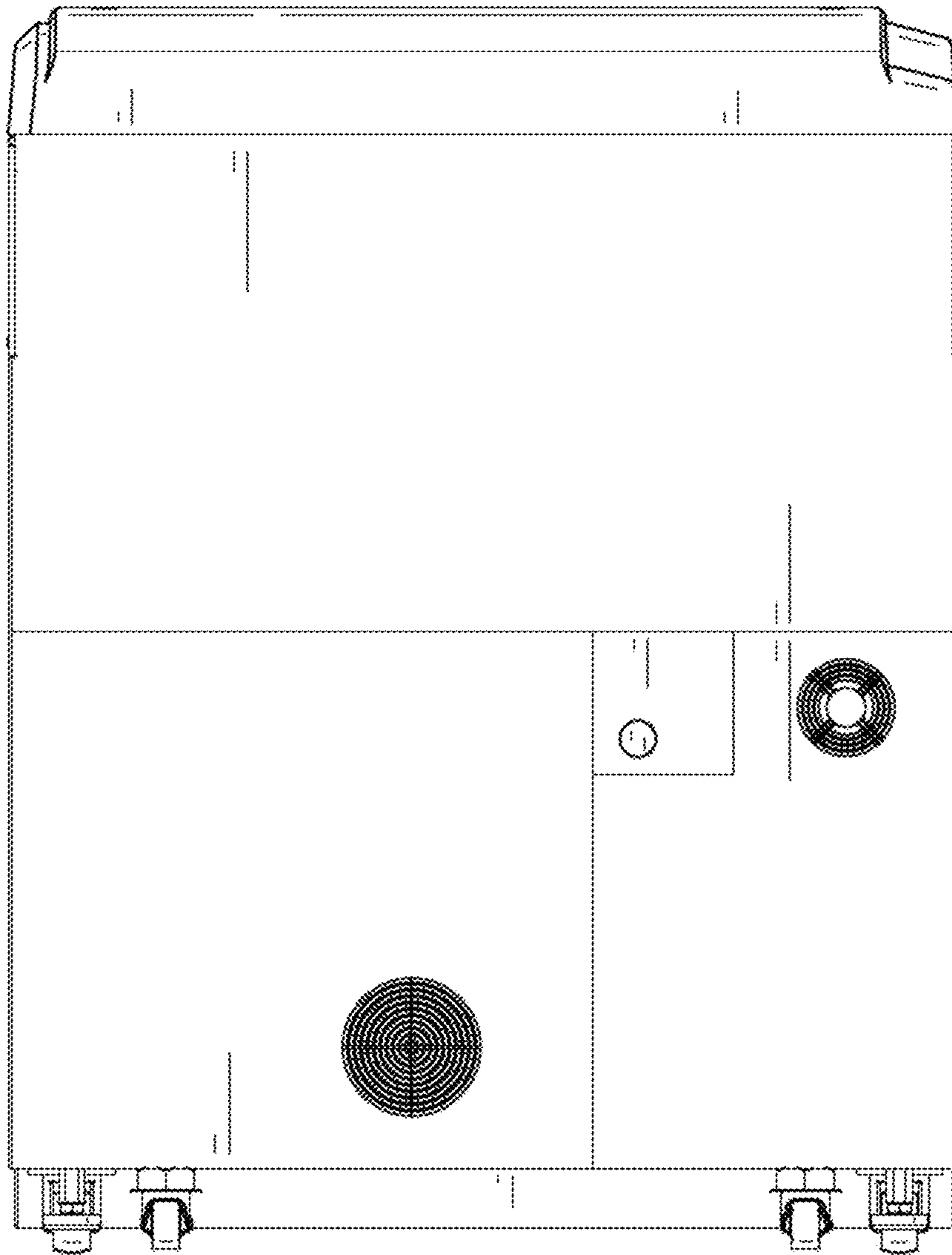


FIG. 7

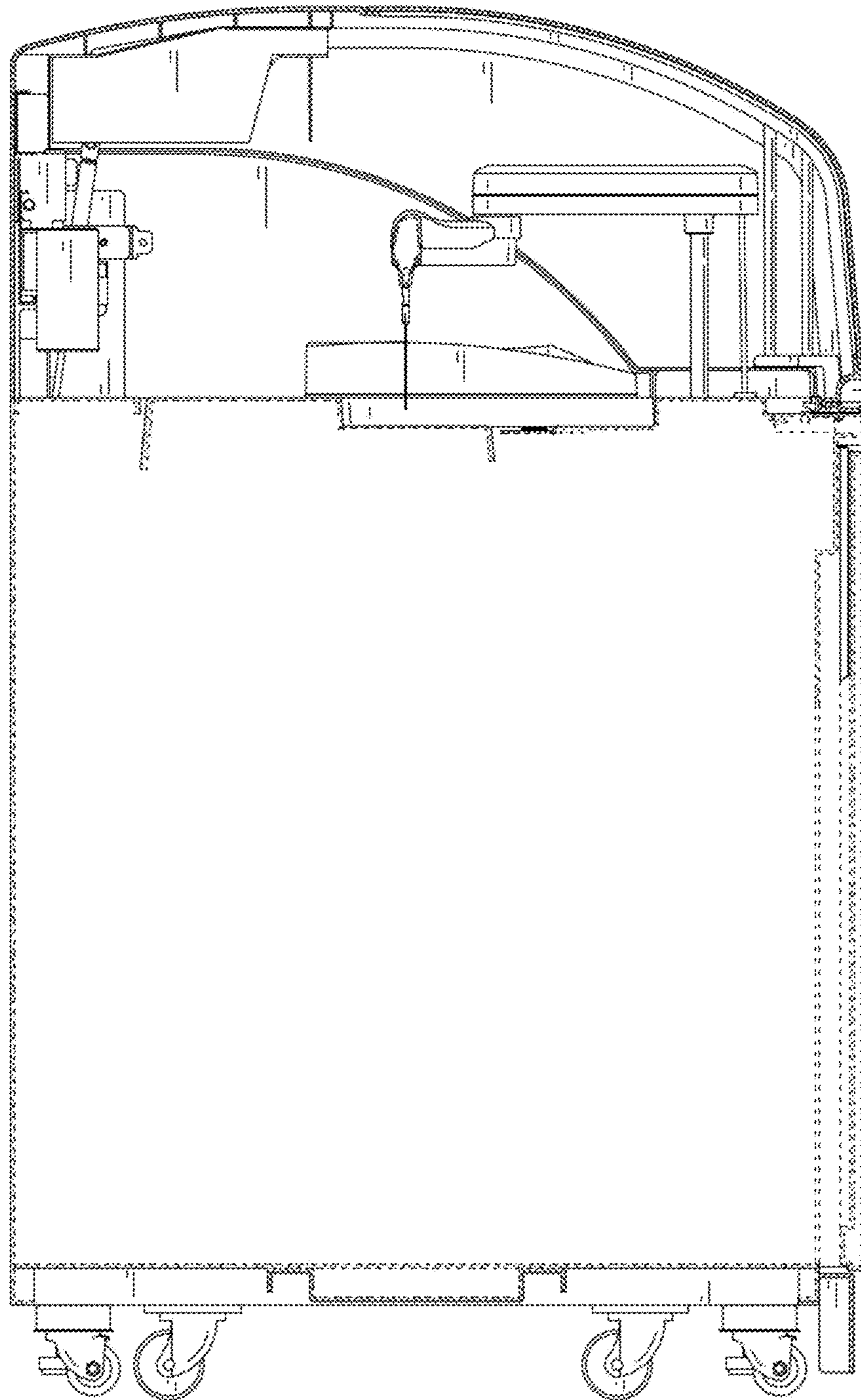


FIG. 8

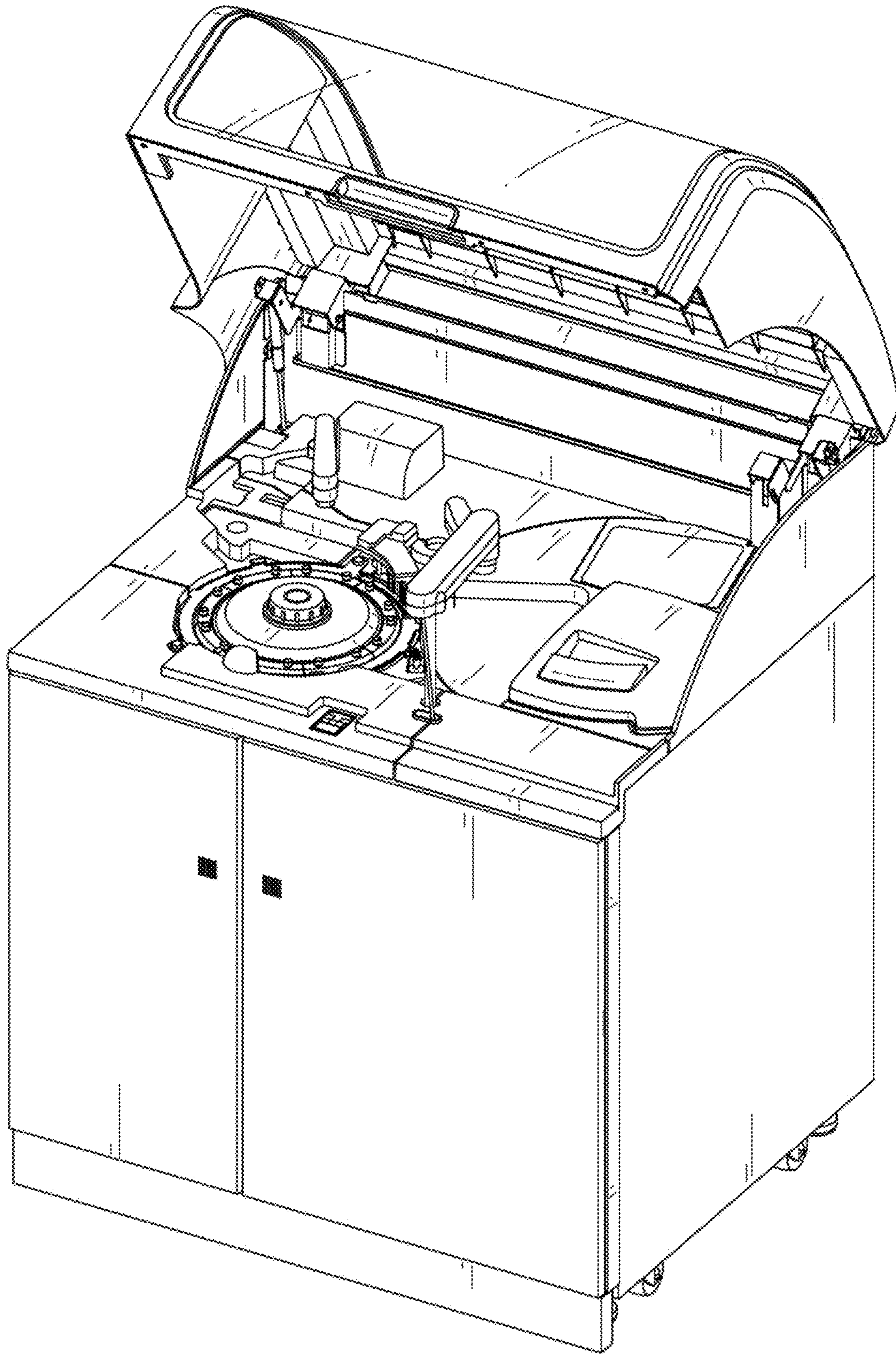


FIG. 9