



US00D909607S

(12) **United States Design Patent**
Masuda et al.

(10) **Patent No.:** **US D909,607 S**

(45) **Date of Patent:** **** Feb. 2, 2021**

(54) **CLINICAL ANALYZER**

(71) Applicant: **Hitachi High-Tech Corporation,**
Tokyo (JP)

(72) Inventors: **Ai Masuda,** Tokyo (JP); **Akira Kojima,** Tokyo (JP); **Takashi Yamamoto,** Tokyo (JP); **Young Han Yoon,** Tokyo (JP); **Akihiro Yasui,** Tokyo (JP); **Takenori Okusa,** Tokyo (JP)

(73) Assignee: **Hitachi High-Tech Corporation,**
Tokyo (JP)

(**) Term: **15 Years**

(21) Appl. No.: **29/713,039**

(22) Filed: **Nov. 13, 2019**

(30) **Foreign Application Priority Data**

May 14, 2019 (JP) 2019-010428

(51) **LOC (13) Cl.** **24-01**

(52) **U.S. Cl.**
USPC **D24/232**

(58) **Field of Classification Search**
USPC D24/107, 185, 186, 216–219, 231–234;
D10/81
CPC G01N 2035/00306; G01N 2035/00326;
G01N 2035/00336; G01N 2030/027;
G01N 21/6458; G01N 21/6484; G01N
21/6486; G01N 21/76
See application file for complete search history.

(56) **References Cited**

U.S. PATENT DOCUMENTS

6,521,183 B1 * 2/2003 Burri G01N 35/026
422/65
D681,226 S * 4/2013 Oonuma D24/216

D681,227 S * 4/2013 Oonuma D24/216
D681,228 S * 4/2013 Oonuma D24/216
D833,640 S * 11/2018 Kurz-Ottenwaelder D24/231
D838,383 S * 1/2019 Masuda D24/232
D846,138 S * 4/2019 Masuda D24/216
D846,139 S * 4/2019 Masuda D24/216
D849,264 S * 5/2019 Masuda D24/216
2014/0241945 A1 * 8/2014 Oonuma G01N 35/025
422/64
2015/0276566 A1 * 10/2015 Berntsen G01N 35/021
435/309.1
2016/0195563 A1 * 7/2016 Oonuma G01N 35/00
422/64

* cited by examiner

Primary Examiner — Anhdao Doan

(74) *Attorney, Agent, or Firm* — Crowell & Moring LLP

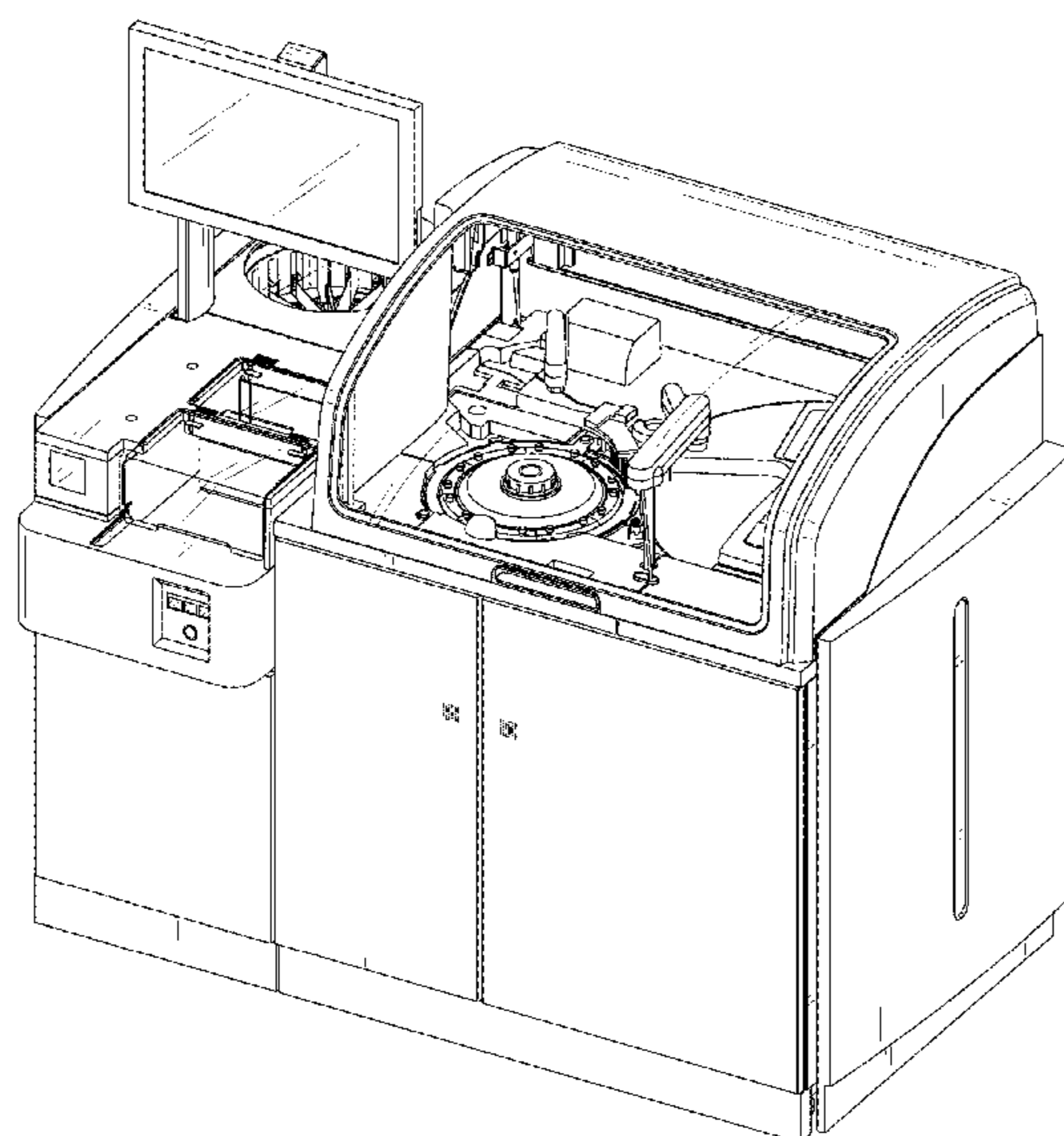
(57) **CLAIM**

The ornamental design for a clinical analyzer, as shown and described.

DESCRIPTION

FIG. 1 is a front, top and right side perspective view of a clinical analyzer according to the design;
FIG. 2 is a front view thereof;
FIG. 3 is a right side view thereof;
FIG. 4 is a left side view thereof;
FIG. 5 is a rear view thereof;
FIG. 6 is a top plan view thereof;
FIG. 7 is a bottom plan view thereof;
FIG. 8 is an enlarged cross-sectional view taken along line 8-8 of FIG. 2;
FIG. 9 is an enlarged cross-sectional view taken along line 9-9 of FIG. 2; and,
FIG. 10 is a front, top and right side perspective view thereof shown in an opened position.
The broken lines form no part of the claimed design.

1 Claim, 9 Drawing Sheets



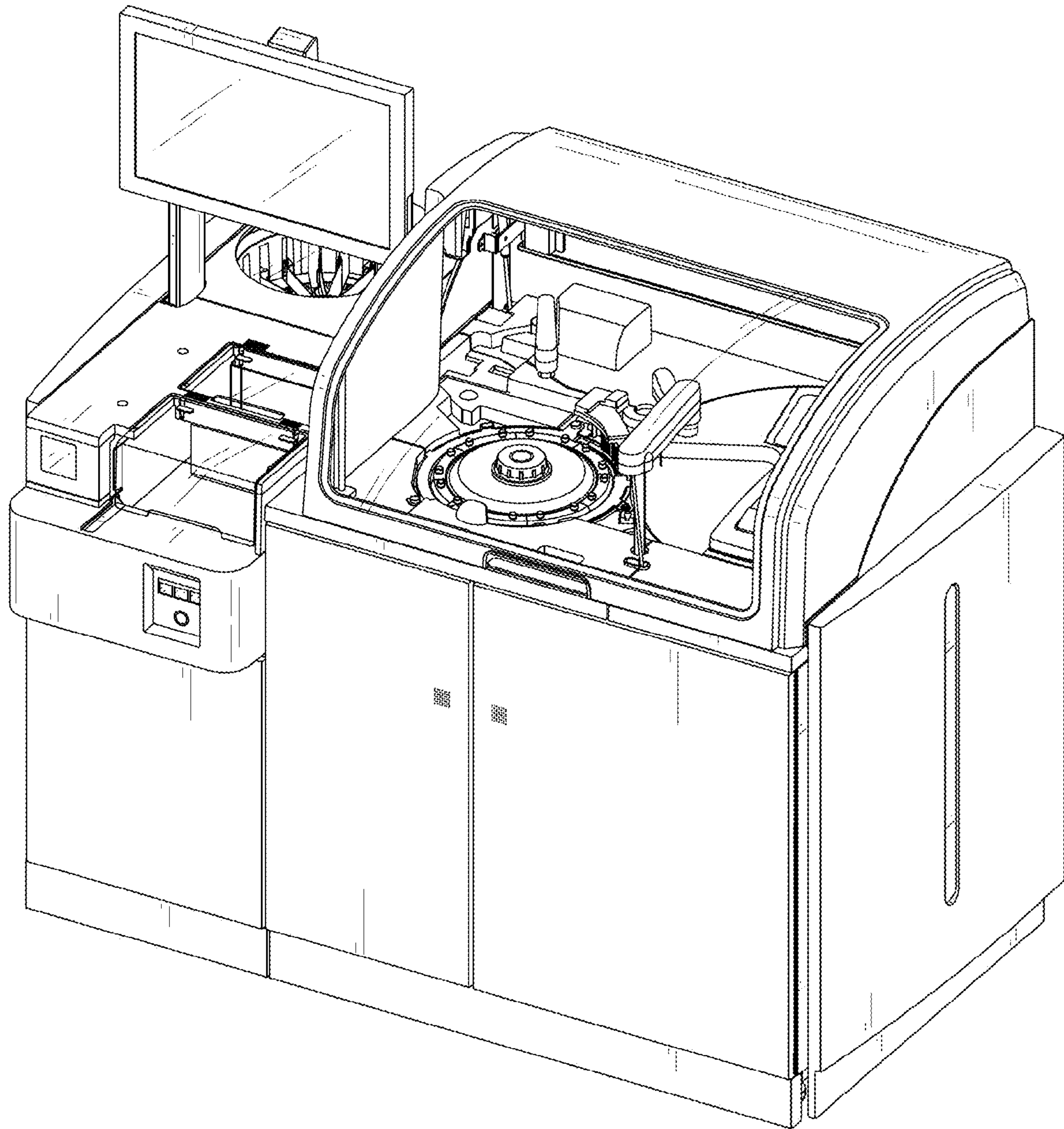


FIG. 1

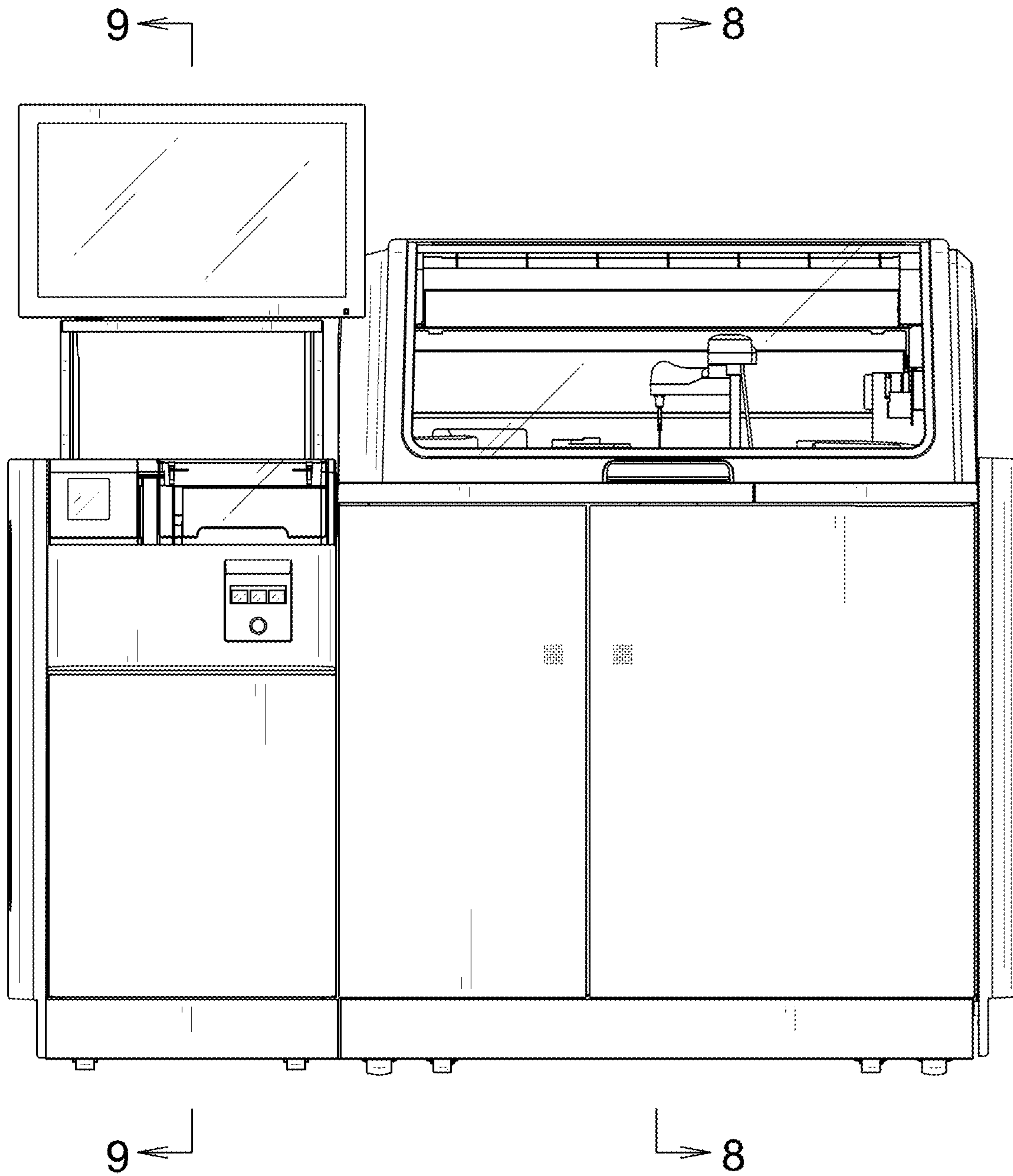


FIG. 2

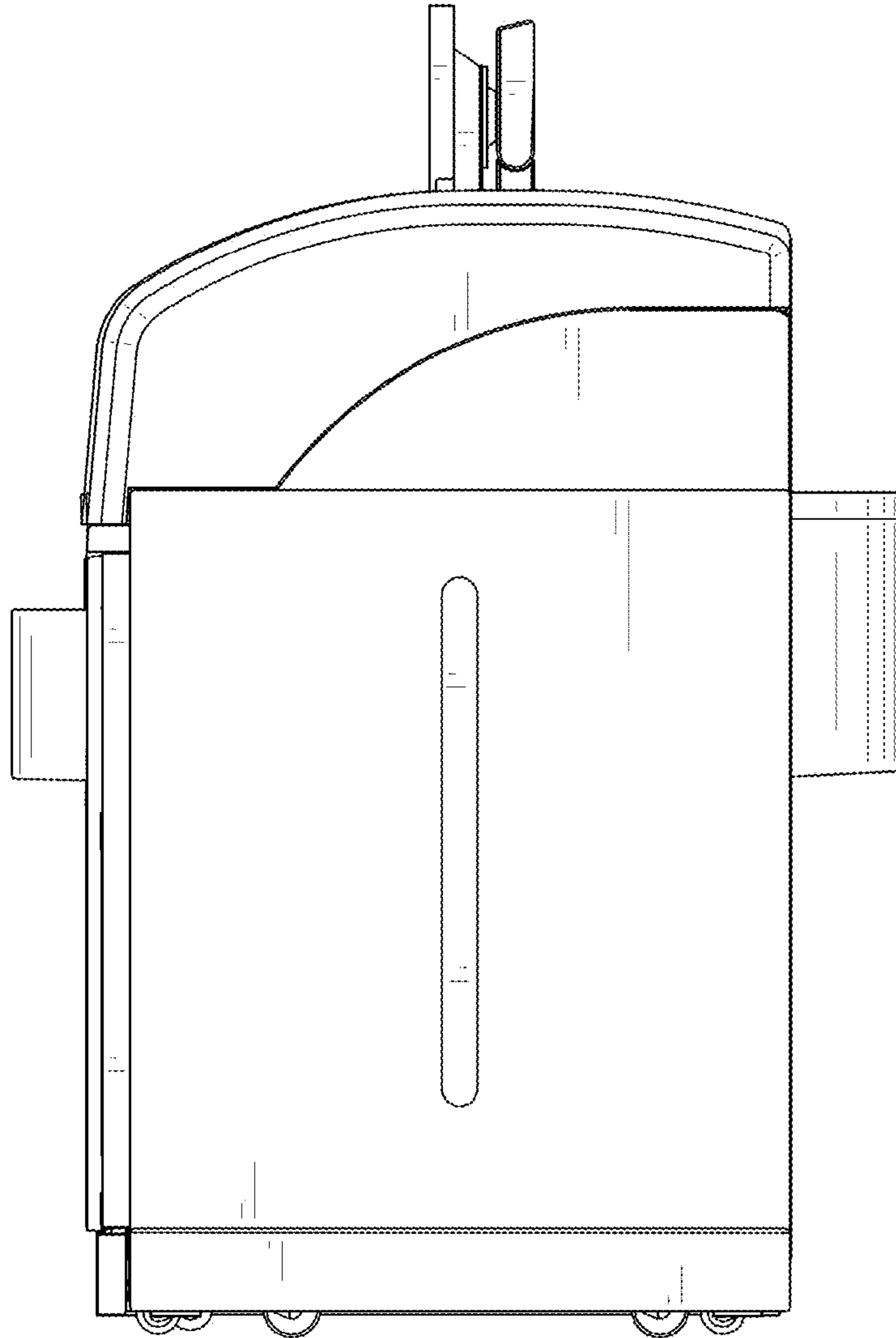


FIG. 3

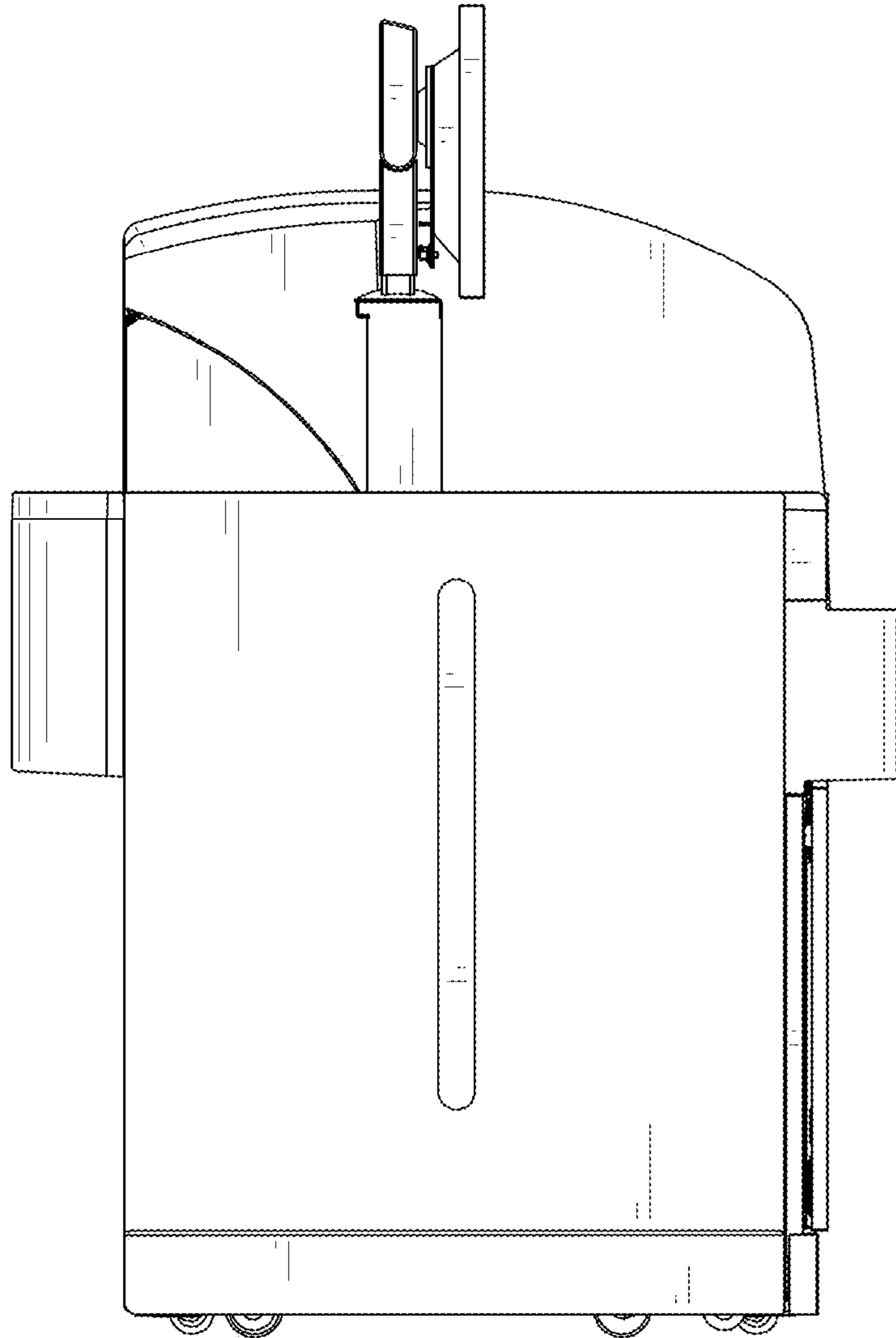


FIG. 4

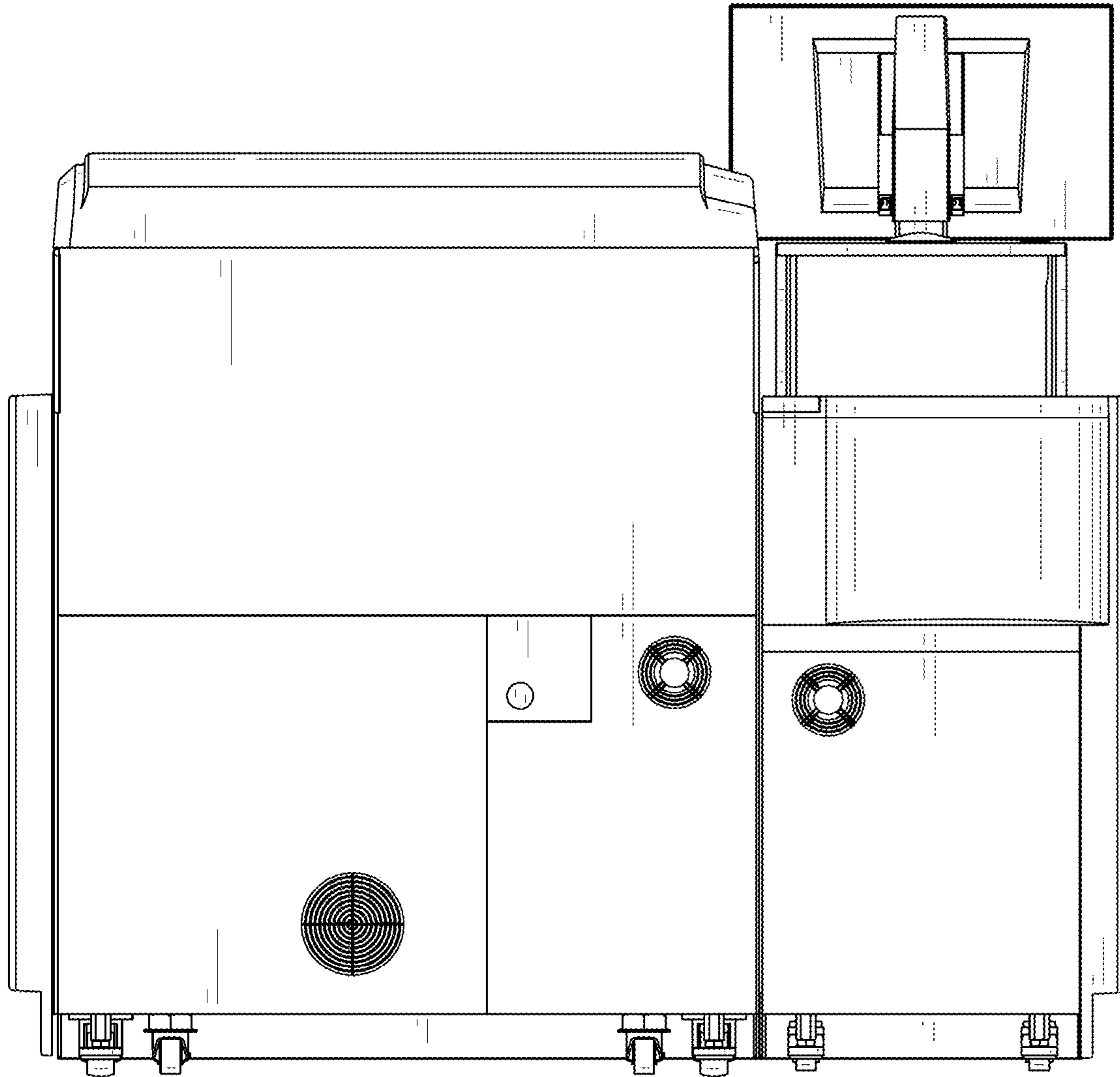


FIG. 5

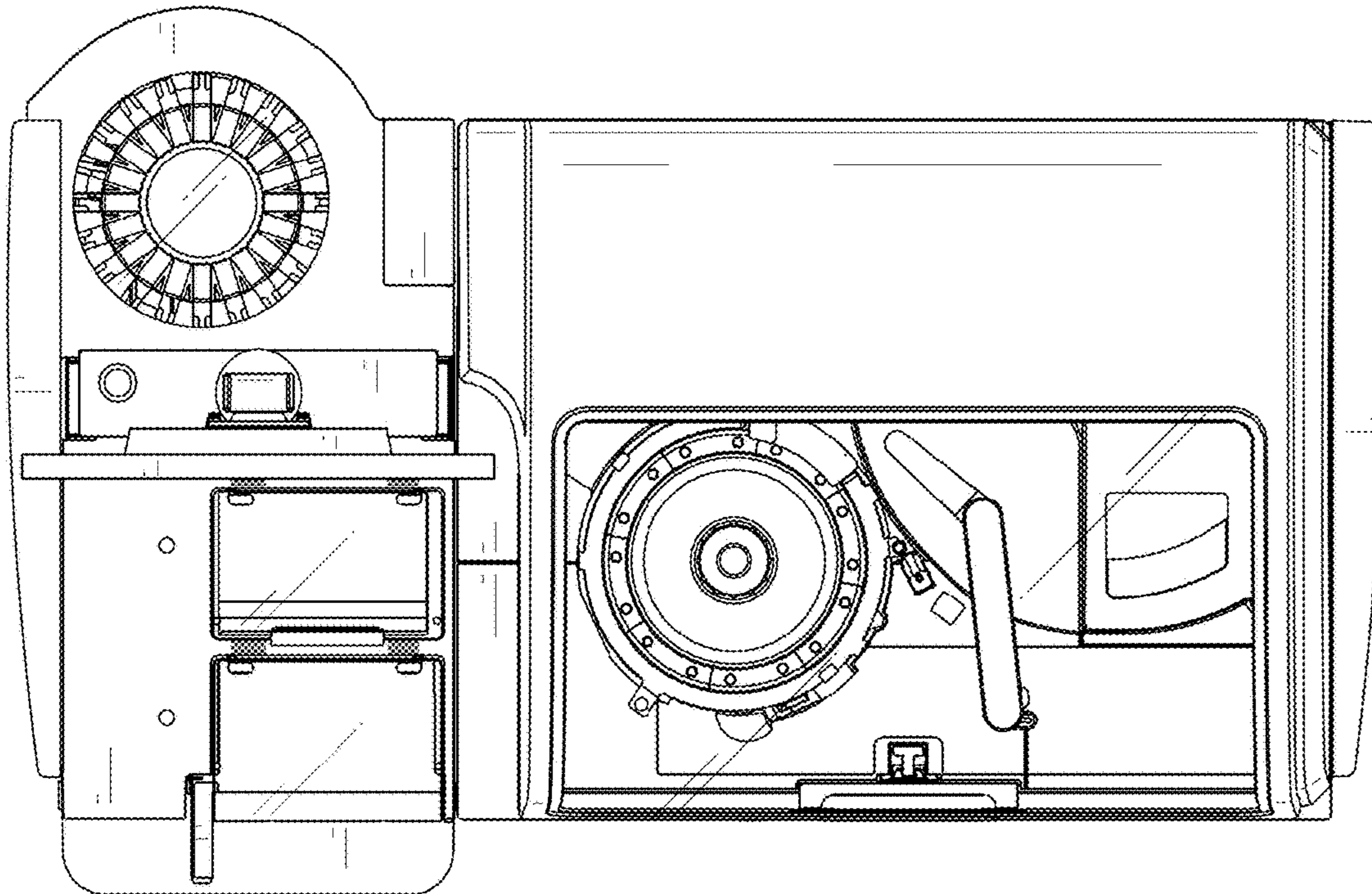


FIG. 6

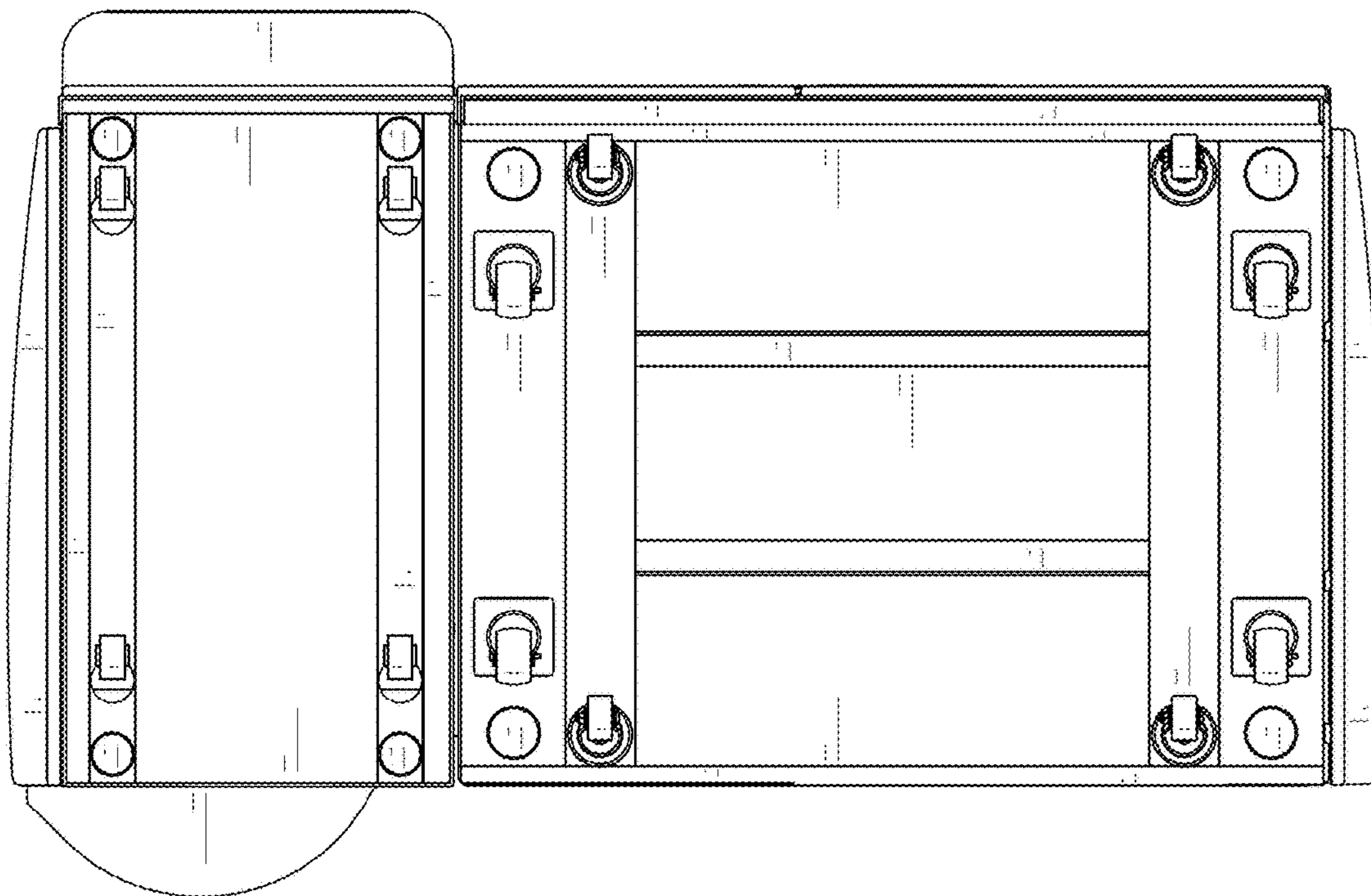


FIG. 7

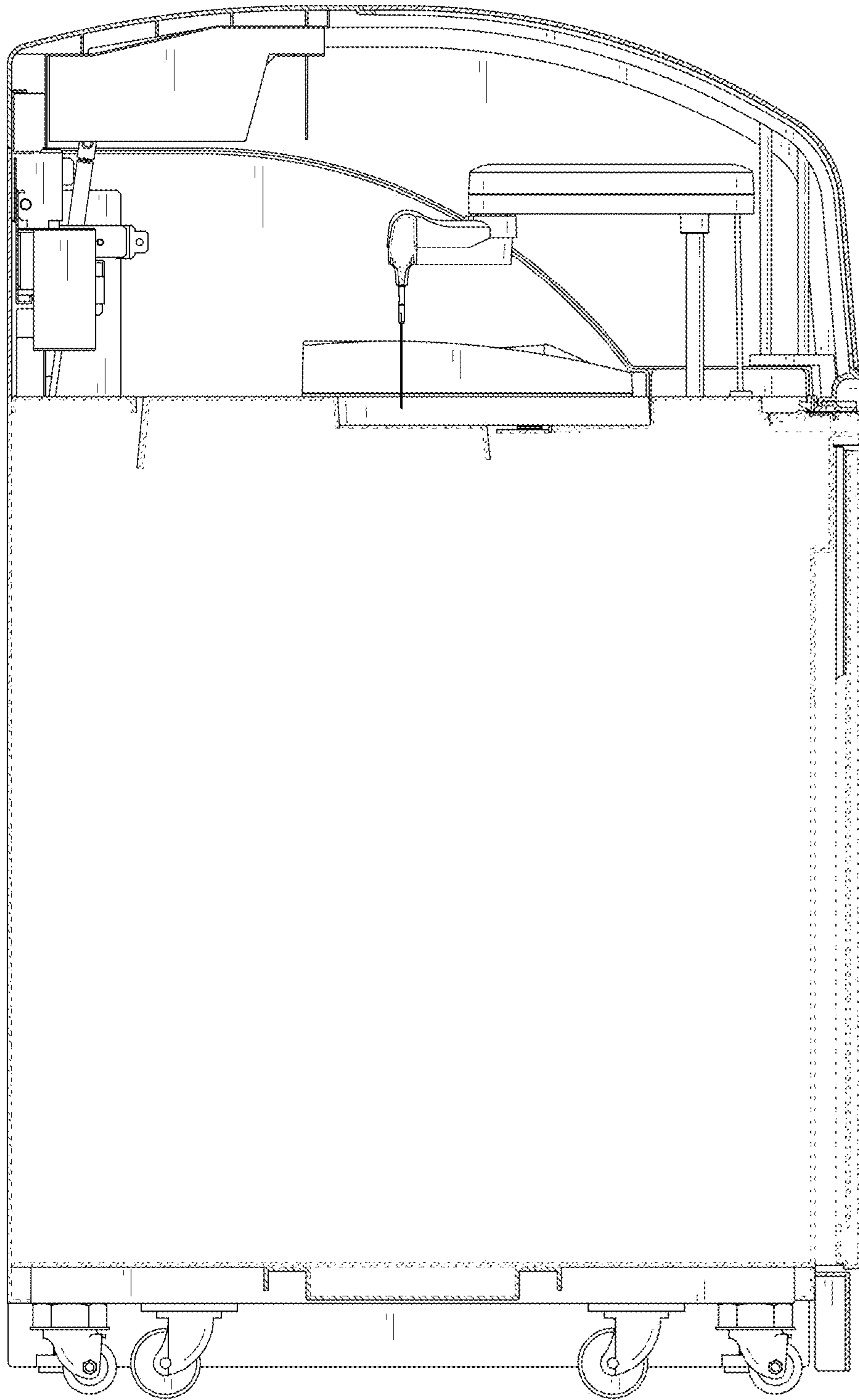


FIG. 8

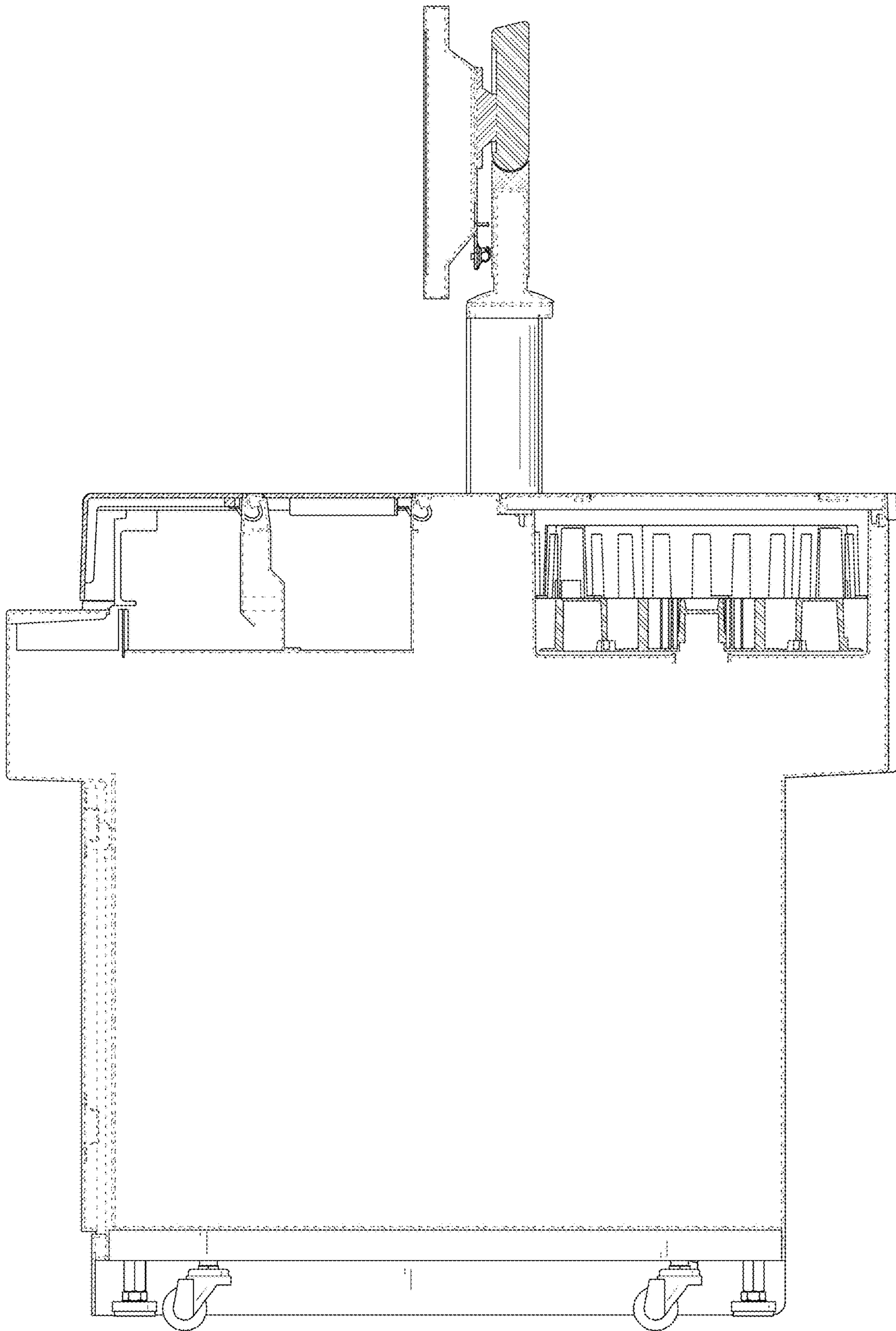


FIG. 9

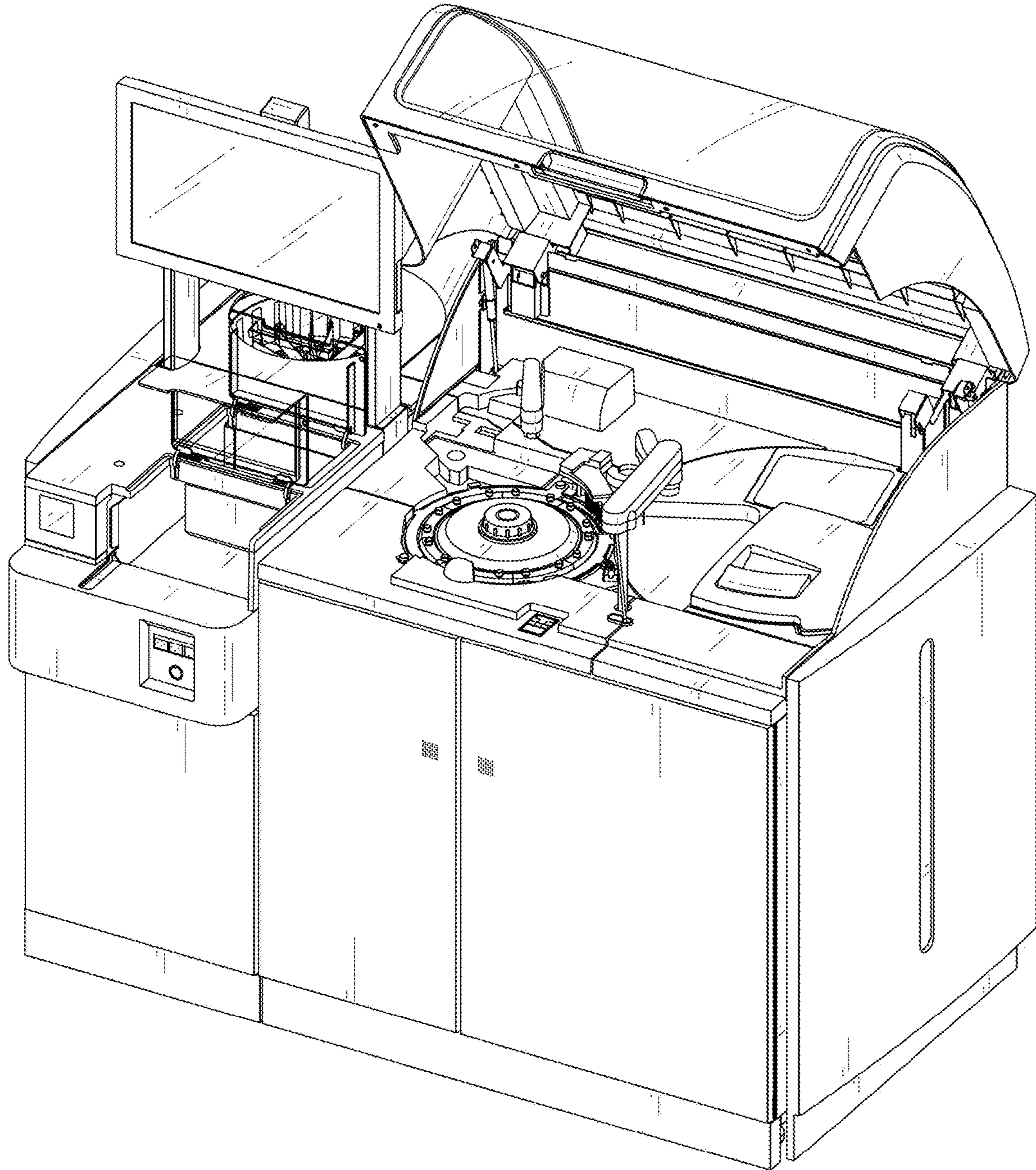


FIG. 10