



US00D909606S

(12) **United States Design Patent** (10) **Patent No.:** **US D909,606 S**
Maibach, Jr. (45) **Date of Patent:** **** Feb. 2, 2021**

- (54) **COLD TRAP INSERT**
- (71) Applicant: **Lab Society LLC**, Boulder, CO (US)
- (72) Inventor: **Michael S. Maibach, Jr.**, Frederick, CO (US)
- (73) Assignee: **Lab Society LLC**, Boulder, CO (US)
- (**) Term: **15 Years**
- (21) Appl. No.: **29/678,304**
- (22) Filed: **Jan. 28, 2019**

D722,674 S *	2/2015	Lipkens	D23/207
D835,778 S *	12/2018	Mozzicato	D24/121
D835,779 S *	12/2018	Mozzicato	D24/224
D837,976 S *	1/2019	Kaye	D24/121
D840,534 S *	2/2019	Mozzicato	D24/224
2012/0073950 A1 *	3/2012	Kamen	F04D 25/026 202/187
2017/0252668 A1 *	9/2017	Adjabeng	B01D 5/0006
2019/0076752 A1 *	3/2019	Maibach	B01D 5/006

* cited by examiner

Primary Examiner — Anhdao Doan
(74) *Attorney, Agent, or Firm* — Greenspoon Marder LLP; Justin F. McNaughton

Related U.S. Application Data

- (63) Continuation-in-part of application No. 16/188,271, filed on Nov. 12, 2018, now Pat. No. 10,751,638.
- (51) **LOC (13) Cl.** **24-01**
- (52) **U.S. Cl.**
USPC **D24/232; D23/207**
- (58) **Field of Classification Search**
USPC D24/121, 216, 219, 223–232; D23/207
CPC B01D 3/10; B01D 5/0045; B01D 5/006;
B01D 8/00; F04B 27/16; F04B 37/08
See application file for complete search history.

References Cited

U.S. PATENT DOCUMENTS

D372,295 S *	7/1996	Weber	D23/207
D569,008 S *	5/2008	Lundqvist	D24/232
D660,975 S *	5/2012	Kyle	D24/219

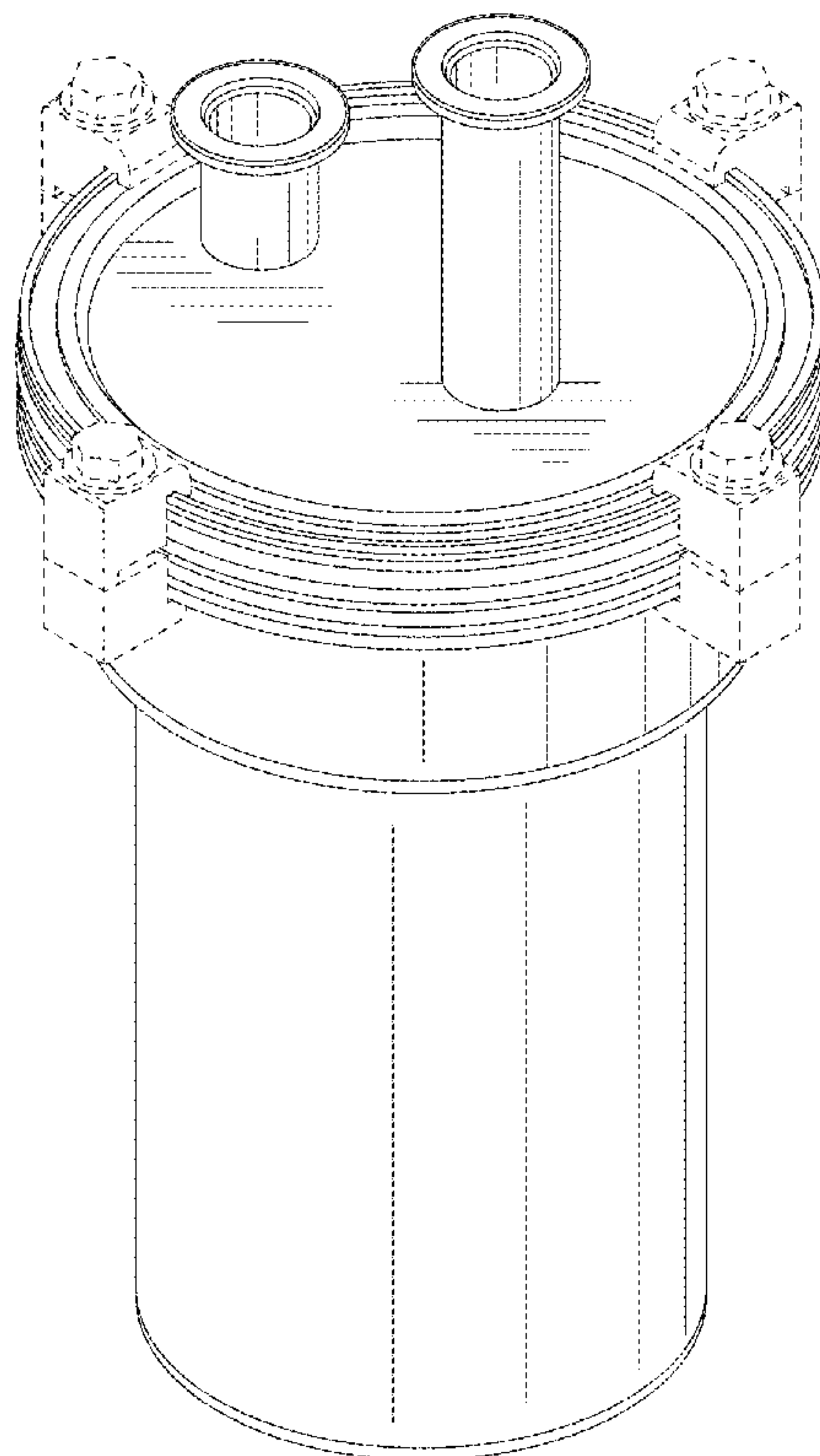
(57) **CLAIM**

The ornamental design for a cold trap insert, as shown and described.

DESCRIPTION

FIG. 1 is a perspective view of a cold trap insert; FIG. 2 is an alternate perspective view thereof; FIG. 3 is another alternate perspective view thereof; FIG. 4 is a rear view thereof; FIG. 5 is a left side view thereof; FIG. 6 is a front view thereof; FIG. 7 is a right side view thereof; FIG. 8 is a top plan view thereof; and, FIG. 9 is a bottom plan view thereof. The broken lines depict portions of the cold trap insert that form no part of the claimed design; the broken lines form no part of the claimed design.

1 Claim, 8 Drawing Sheets



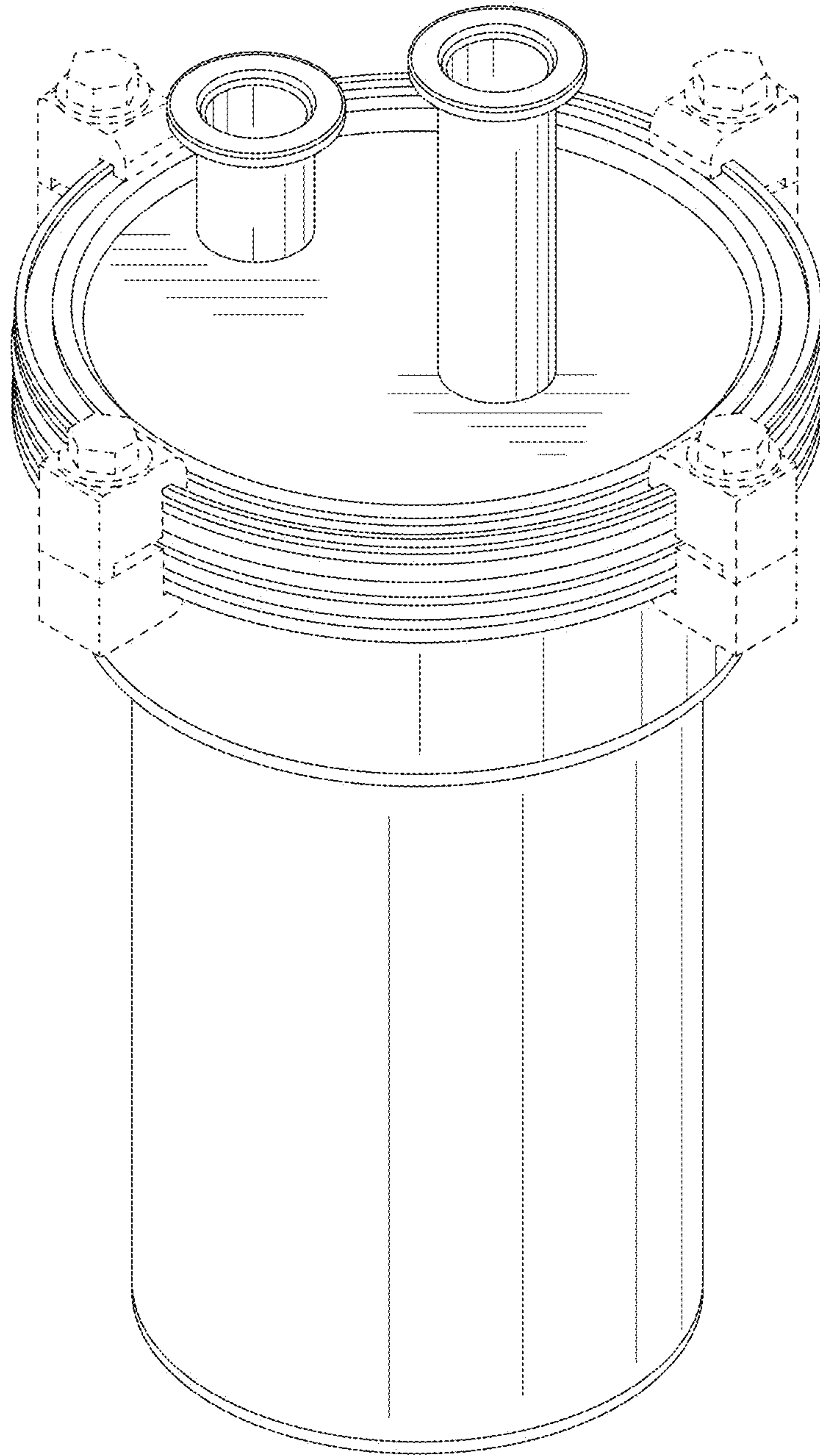


Fig. 1

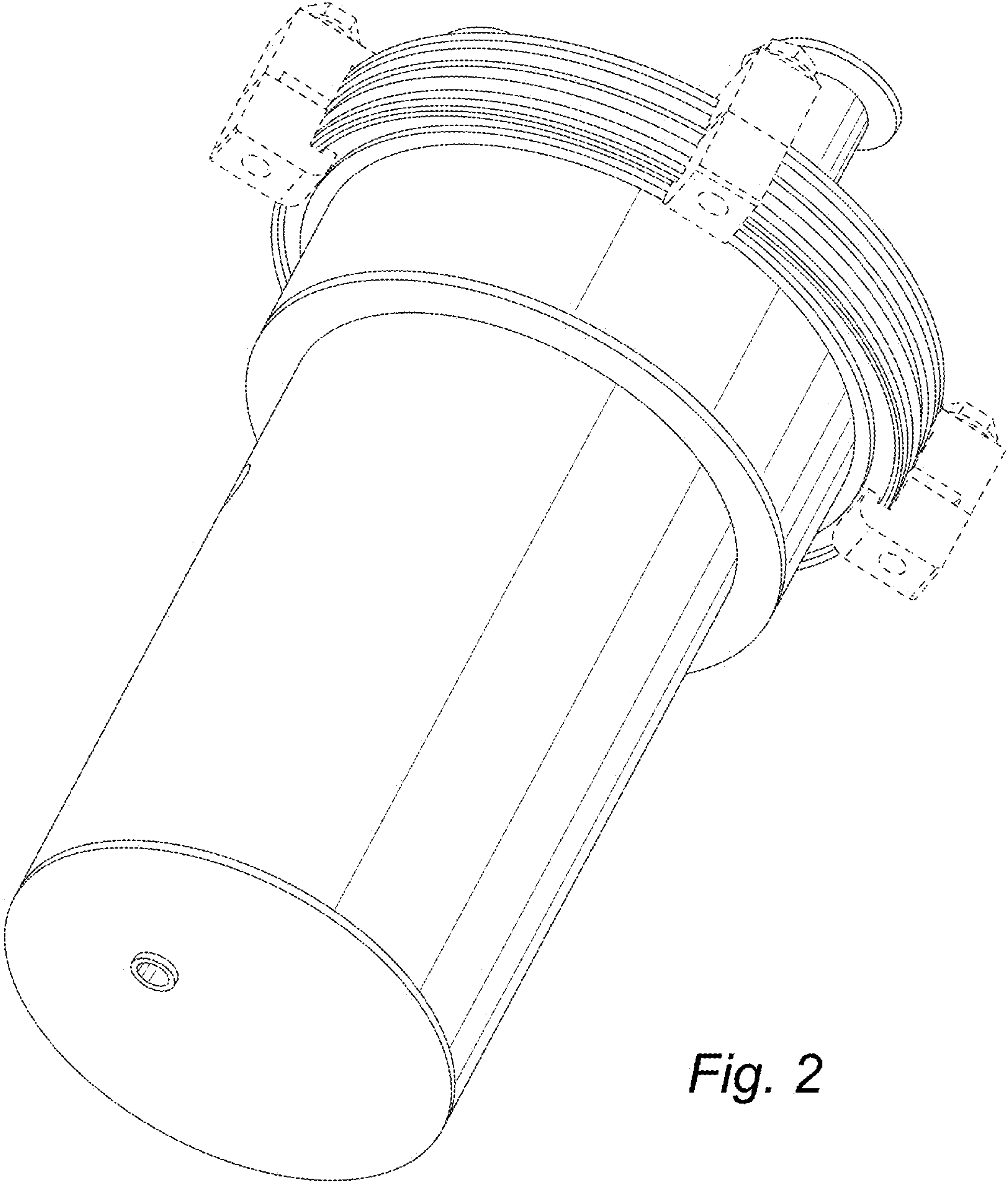


Fig. 2

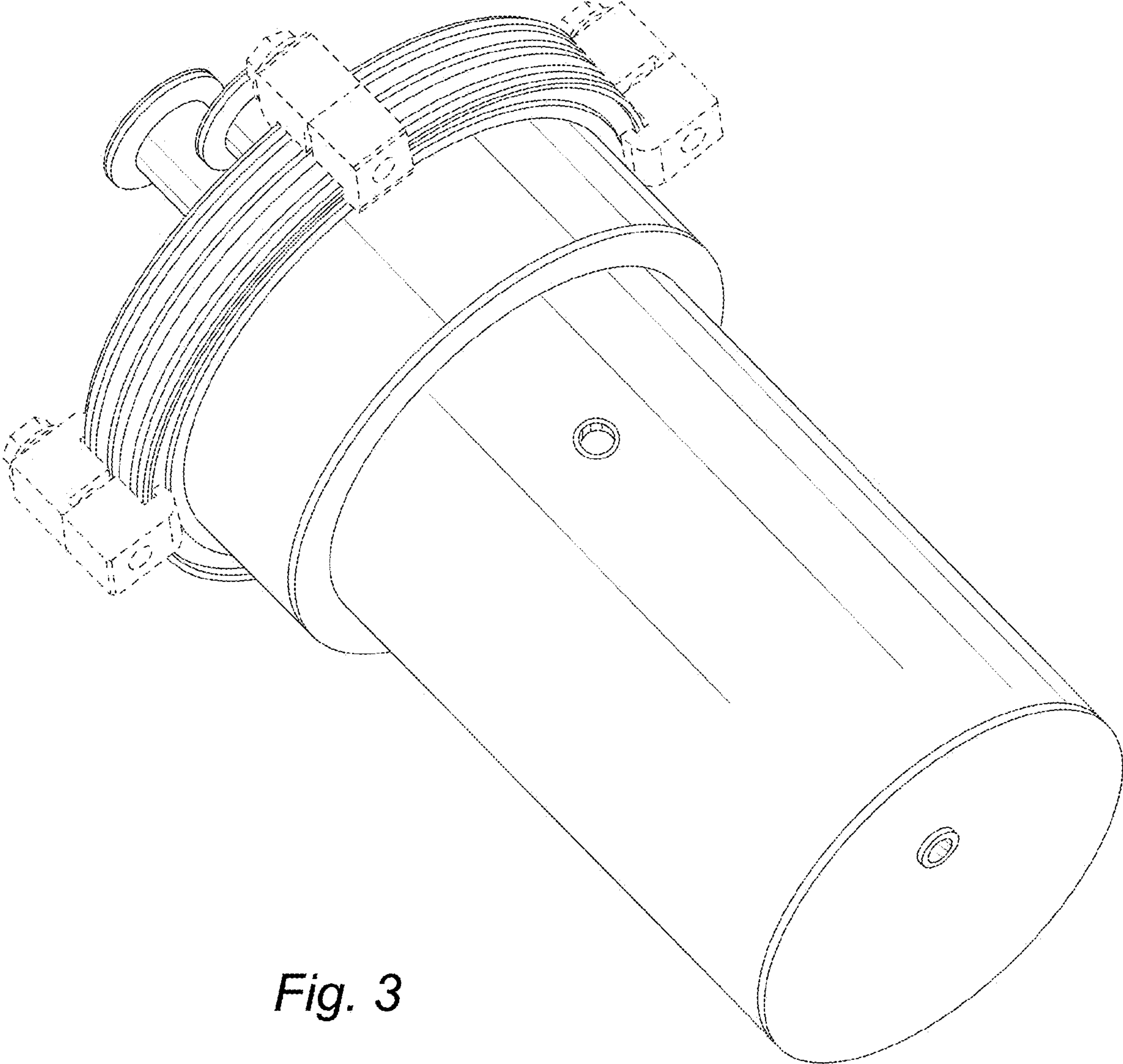


Fig. 3

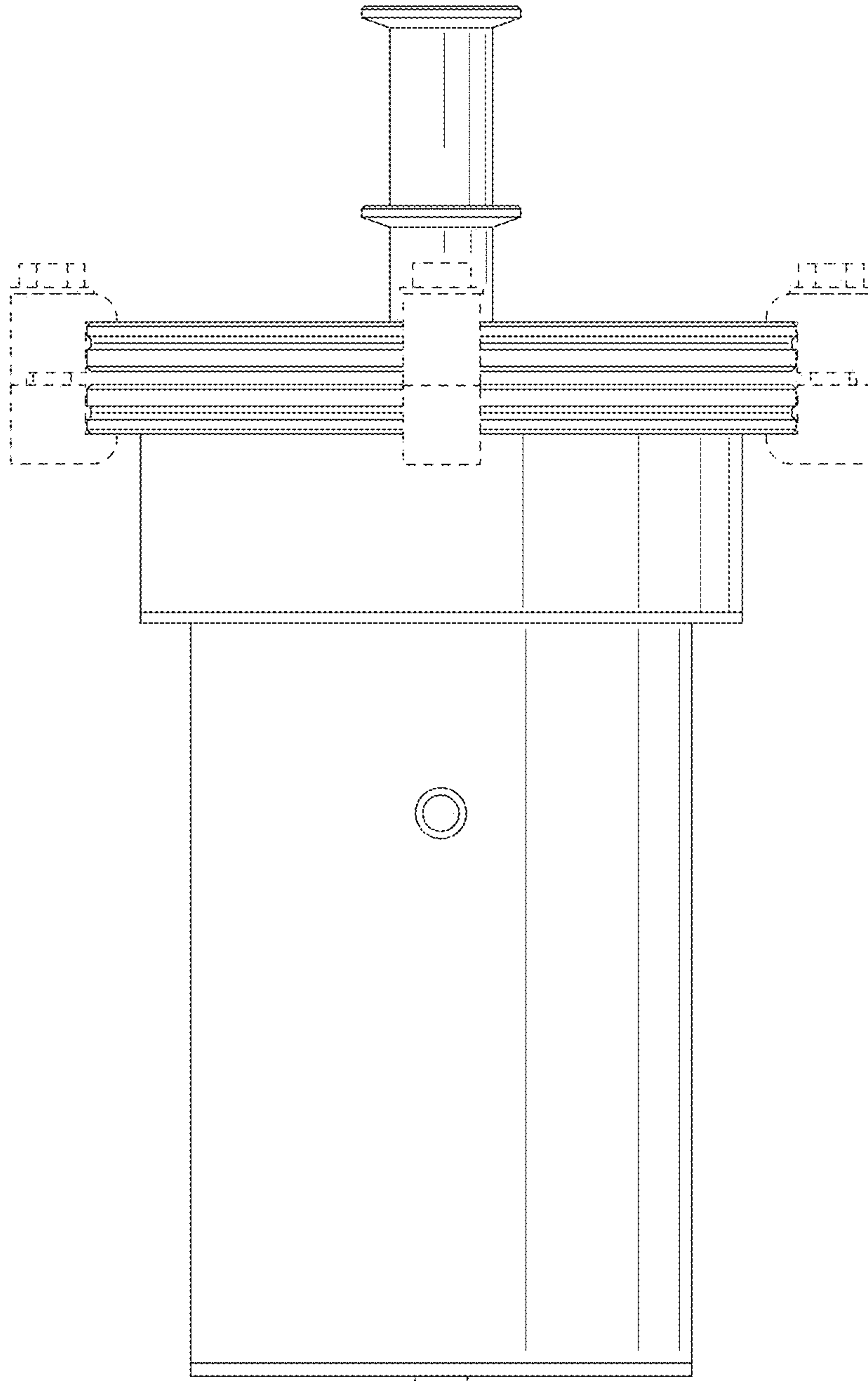


Fig. 4

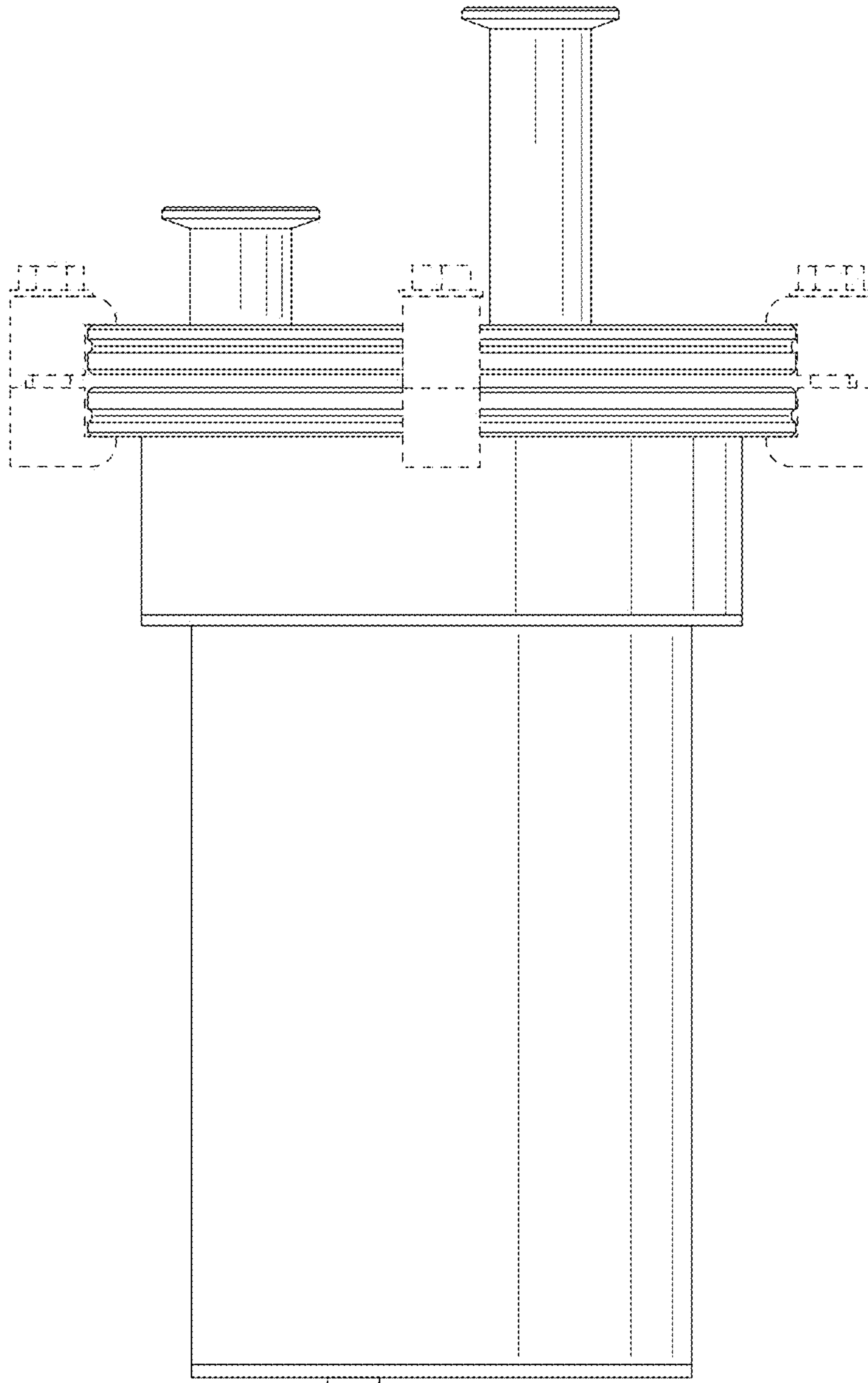


Fig. 5

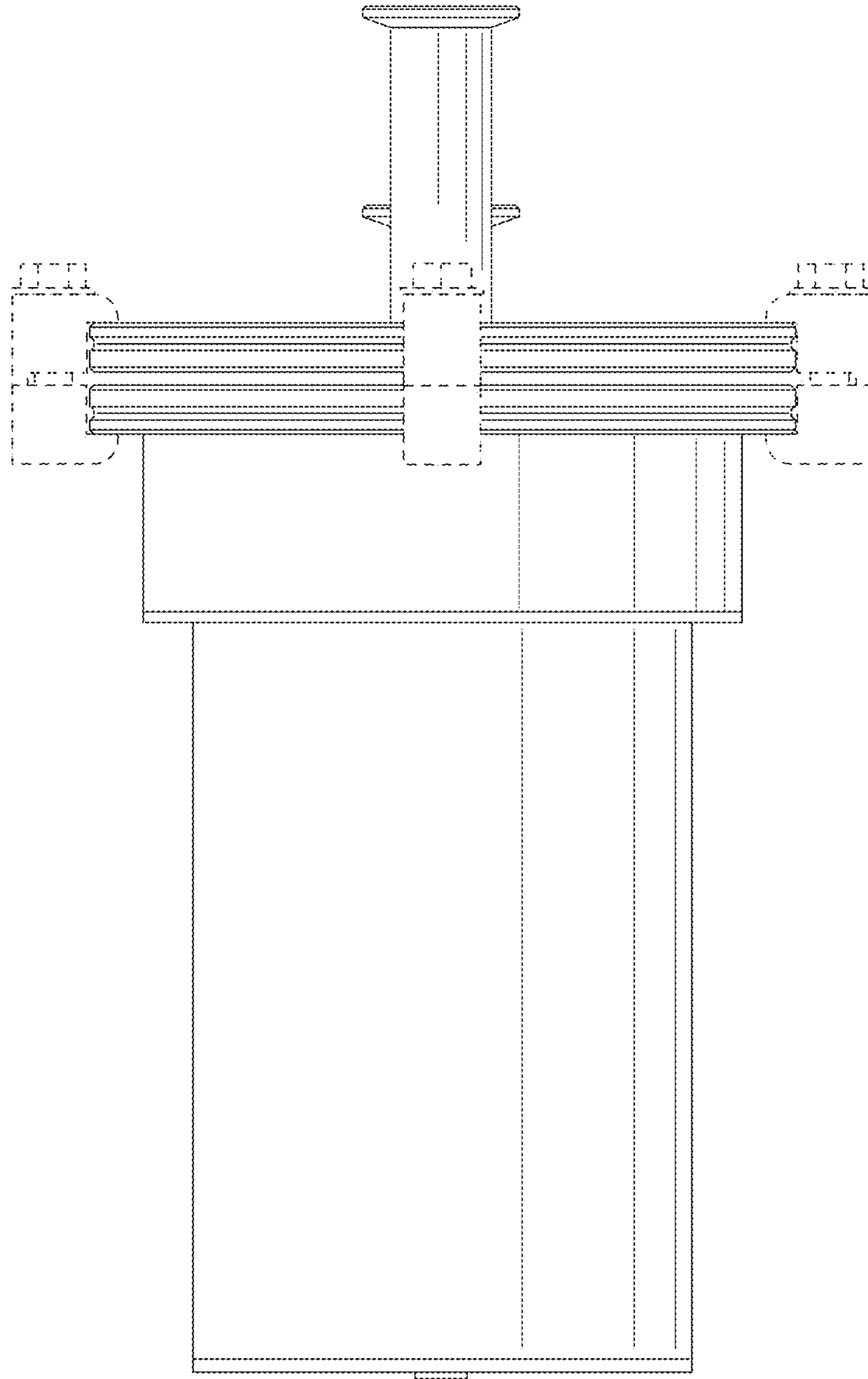


Fig. 6

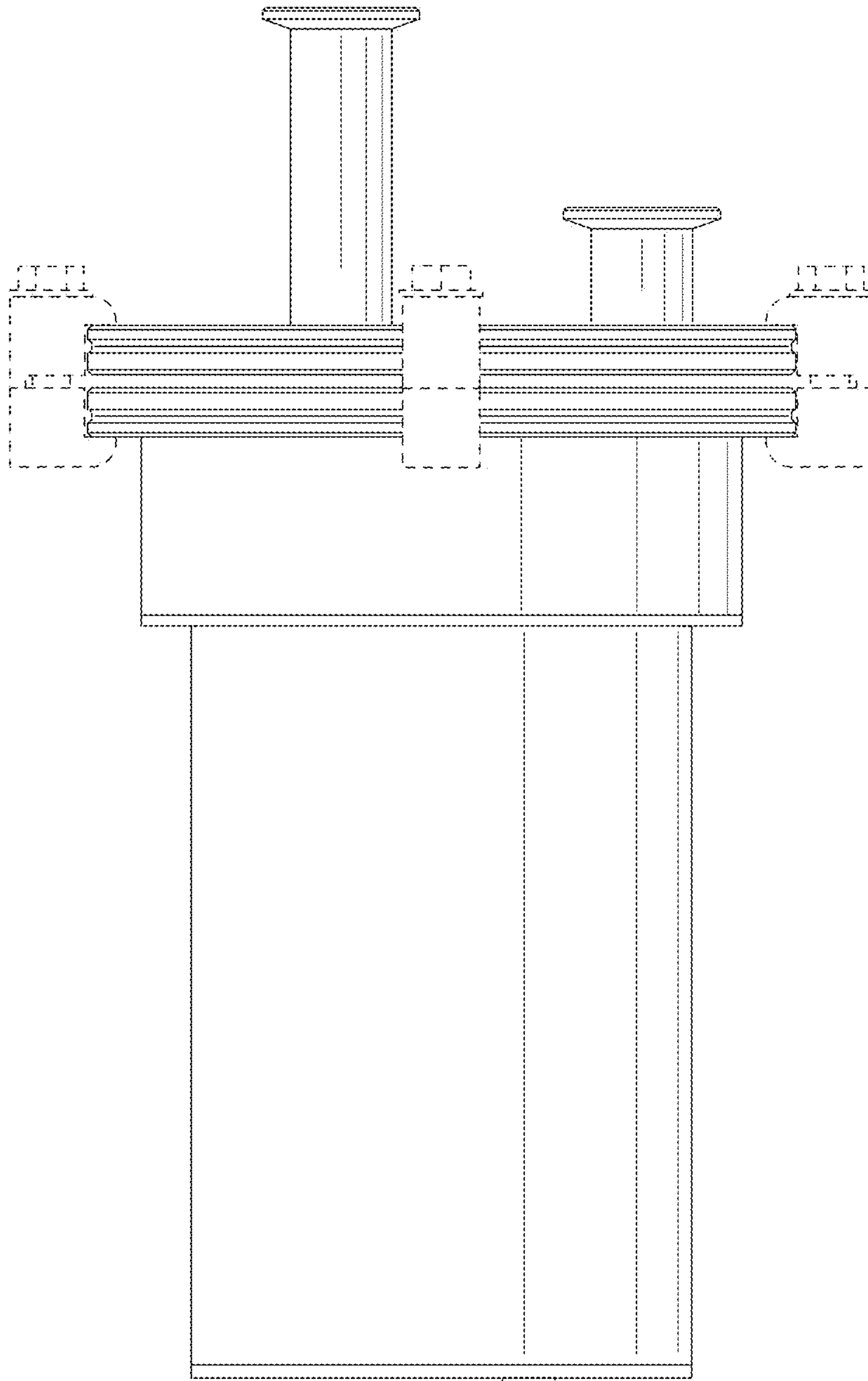


Fig. 7

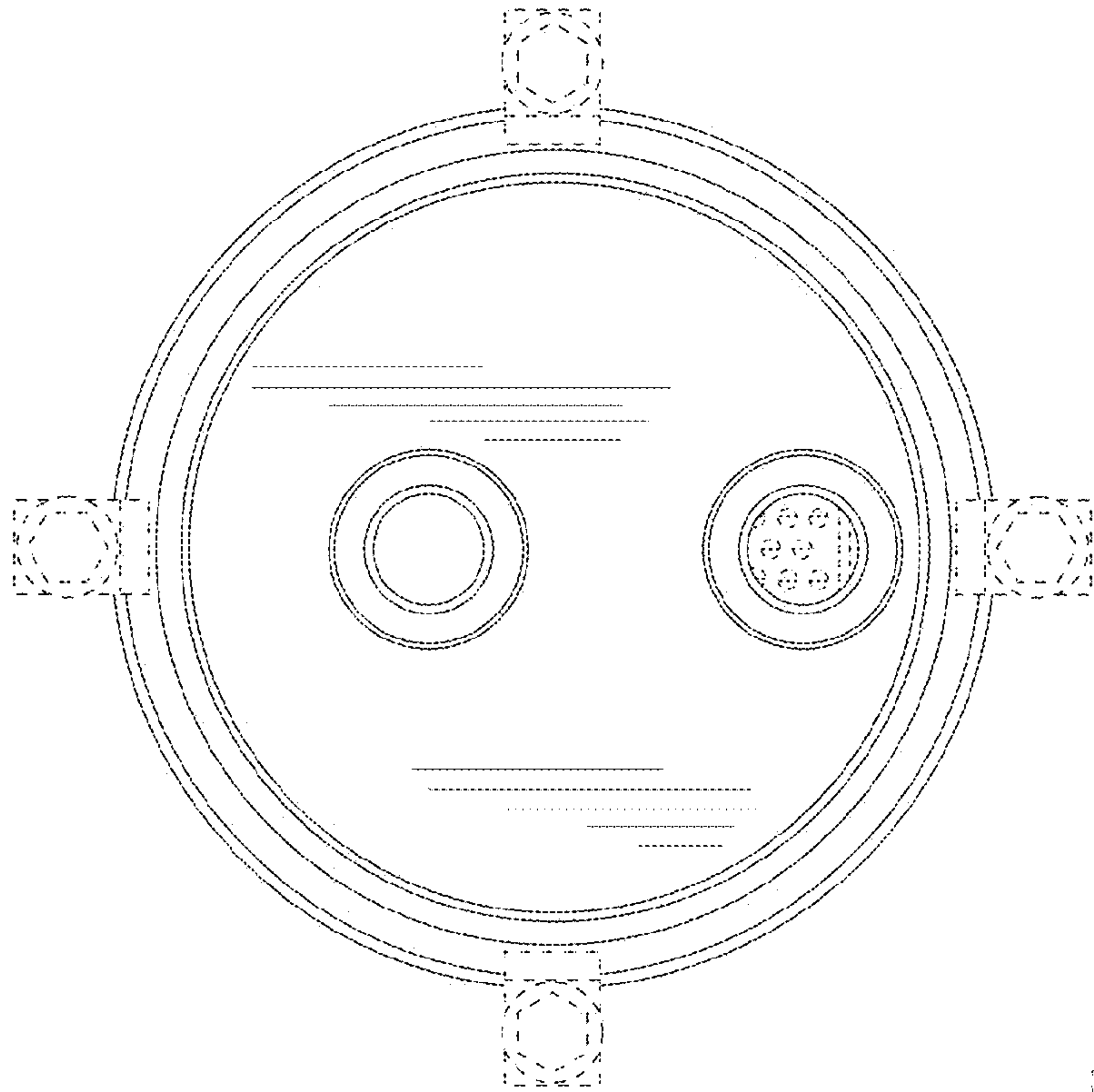


Fig. 8

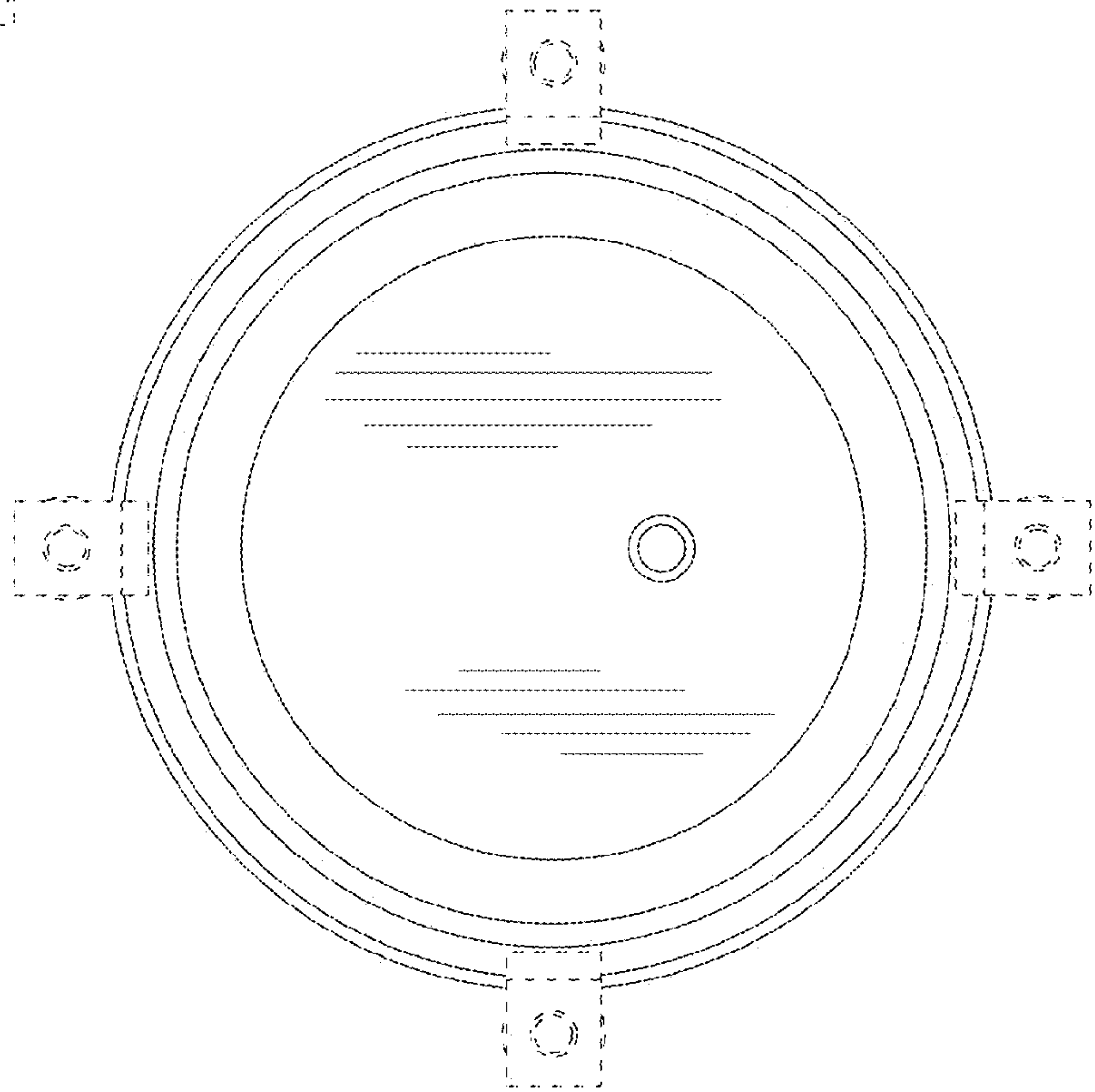


Fig. 9