



US00D909604S

(12) **United States Design Patent**
Gill et al.

(10) **Patent No.:** **US D909,604 S**

(45) **Date of Patent:** **** Feb. 2, 2021**

(54) **BARREL OF AN INTRARUMINAL DEVICE**

4,312,347 A * 1/1982 Magoon A61F 6/08
424/430

(71) Applicant: **Argenta Manufacturing Limited,**
Auckland (NZ)

4,416,659 A 11/1983 Simpson et al.
4,425,117 A * 1/1984 Hugemann A61D 7/00
424/438

(72) Inventors: **David Gill,** Auckland (NZ); **Brendon Rout,** Auckland (NZ); **Michael Venning,** Auckland (NZ)

4,564,363 A * 1/1986 Bagnall A61D 7/00
222/641

(73) Assignee: **Argenta Manufacturing Limited,**
Auckland (NZ)

4,687,480 A 8/1987 Laby et al.
D306,347 S * 2/1990 Gyurik D24/119

5,198,222 A 3/1993 Scully et al.

5,277,912 A 1/1994 Lowe et al.

5,466,233 A 11/1995 Weiner et al.

6,450,991 B1 9/2002 Bunt et al.

6,974,587 B2 12/2005 Trompen et al.

(**) Term: **15 Years**

(Continued)

(21) Appl. No.: **29/638,217**

OTHER PUBLICATIONS

(22) Filed: **Feb. 26, 2018**

U.S. Appl. No. 29/638,220.

(30) **Foreign Application Priority Data**

Primary Examiner — Rhea Shields

Aug. 25, 2017 (NZ) 423423

(74) *Attorney, Agent, or Firm* — Dentons US LLP

(51) **LOC (13) Cl.** **24-99**

(57) **CLAIM**

(52) **U.S. Cl.**
USPC **D24/231**

We claim the ornamental design for a barrel of an intraruminal device, as shown and described.

(58) **Field of Classification Search**
USPC D24/231, 224, 119, 129, 133, 141;
D21/688

DESCRIPTION

CPC A61D 7/00; A61D 1/08; A61M 5/1483;
A61K 9/0004; A61K 9/90068; A61F 6/08
See application file for complete search history.

FIG. 1 is a perspective view of a barrel of an intraruminal device, showing our new design;

FIG. 2 is a front view, the back view being a mirror image thereof;

FIG. 3 is a side view, the other side view being a mirror image thereof;

FIG. 4 is a top plan view thereof;

FIG. 5 is a cross sectional view, taken along line 5-5 in FIG. 2; and,

FIG. 6 is an enlarged view, taken from FIG. 5.

In the drawings, the broken lines are for the purpose of illustrating portions of the barrel of an intraruminal device that forms no part of the claimed design.

(56) **References Cited**

U.S. PATENT DOCUMENTS

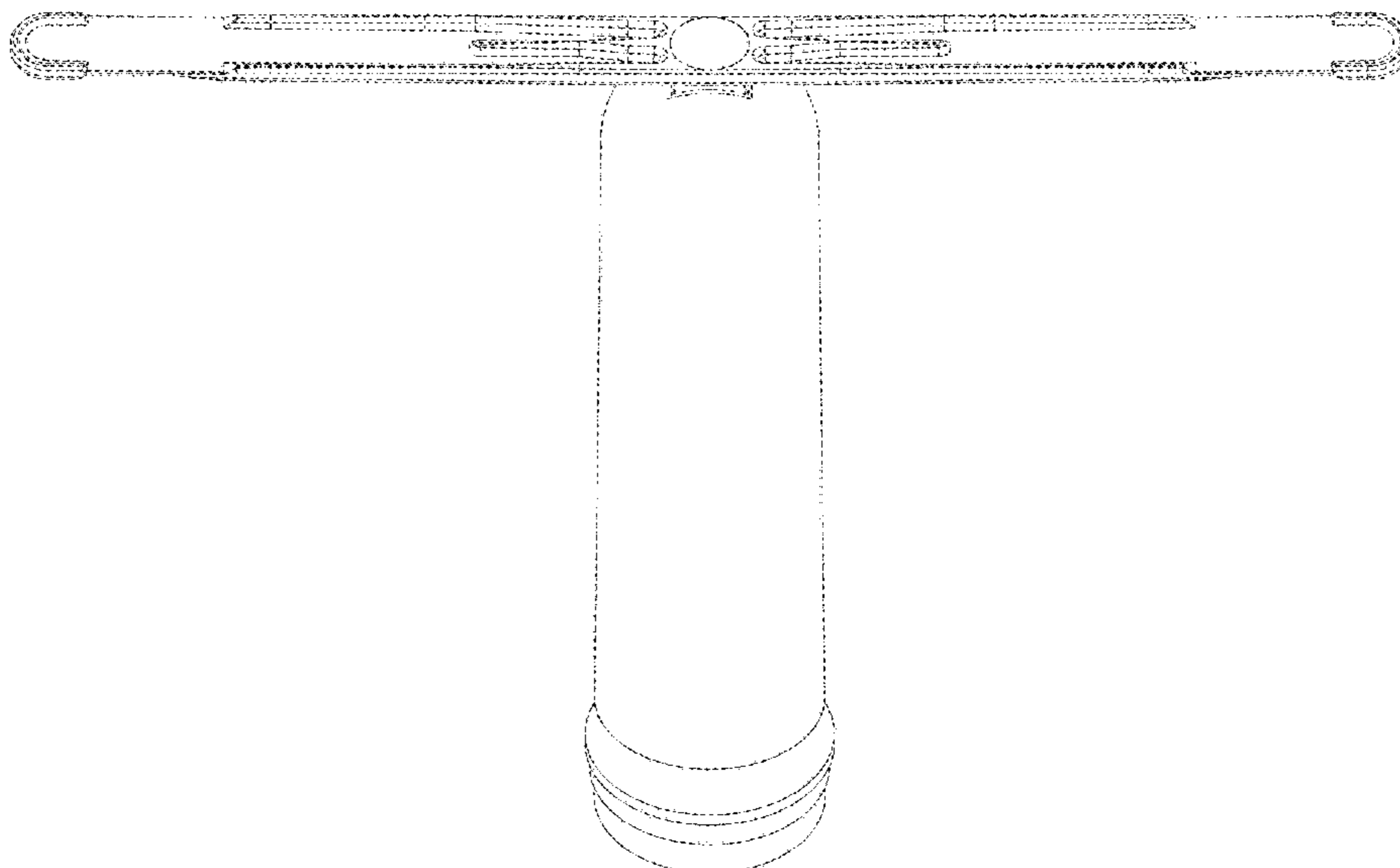
3,056,724 A * 10/1962 Marston A61K 9/0068
424/438

3,150,662 A * 9/1964 Carlson, Jr. A61D 1/08
604/515

3,199,511 A * 8/1965 Kulick A61M 5/1483
604/150

3,797,492 A * 3/1974 Place A61K 9/0004
604/890.1

1 Claim, 6 Drawing Sheets



(56)

References Cited

U.S. PATENT DOCUMENTS

D667,550	S *	9/2012	Keckstein	D24/141
8,734,430	B2	5/2014	Holmes	
D750,779	S *	3/2016	Ahluwalia	D24/133
D751,198	S *	3/2016	Ahluwalia	D24/133
D752,741	S *	3/2016	Winsor	D24/129
9,744,341	B2	8/2017	Johnson et al.	
9,801,660	B2	10/2017	Johnson et al.	
D845,505	S *	4/2019	Cullimore	D24/224
D848,555	S *	5/2019	Chang	D21/688
2005/0064032	A1	3/2005	Lowe et al.	

* cited by examiner

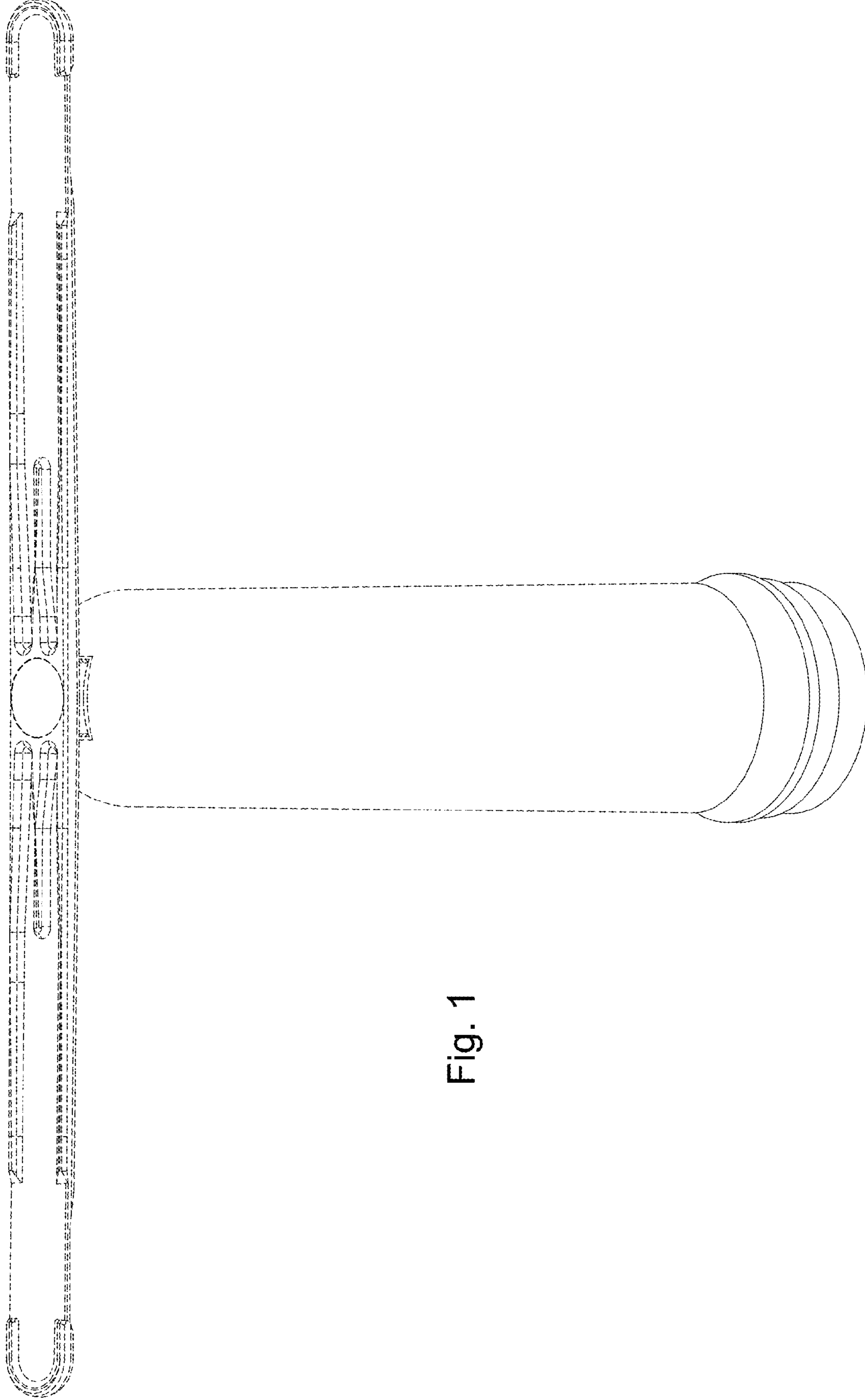


Fig. 1

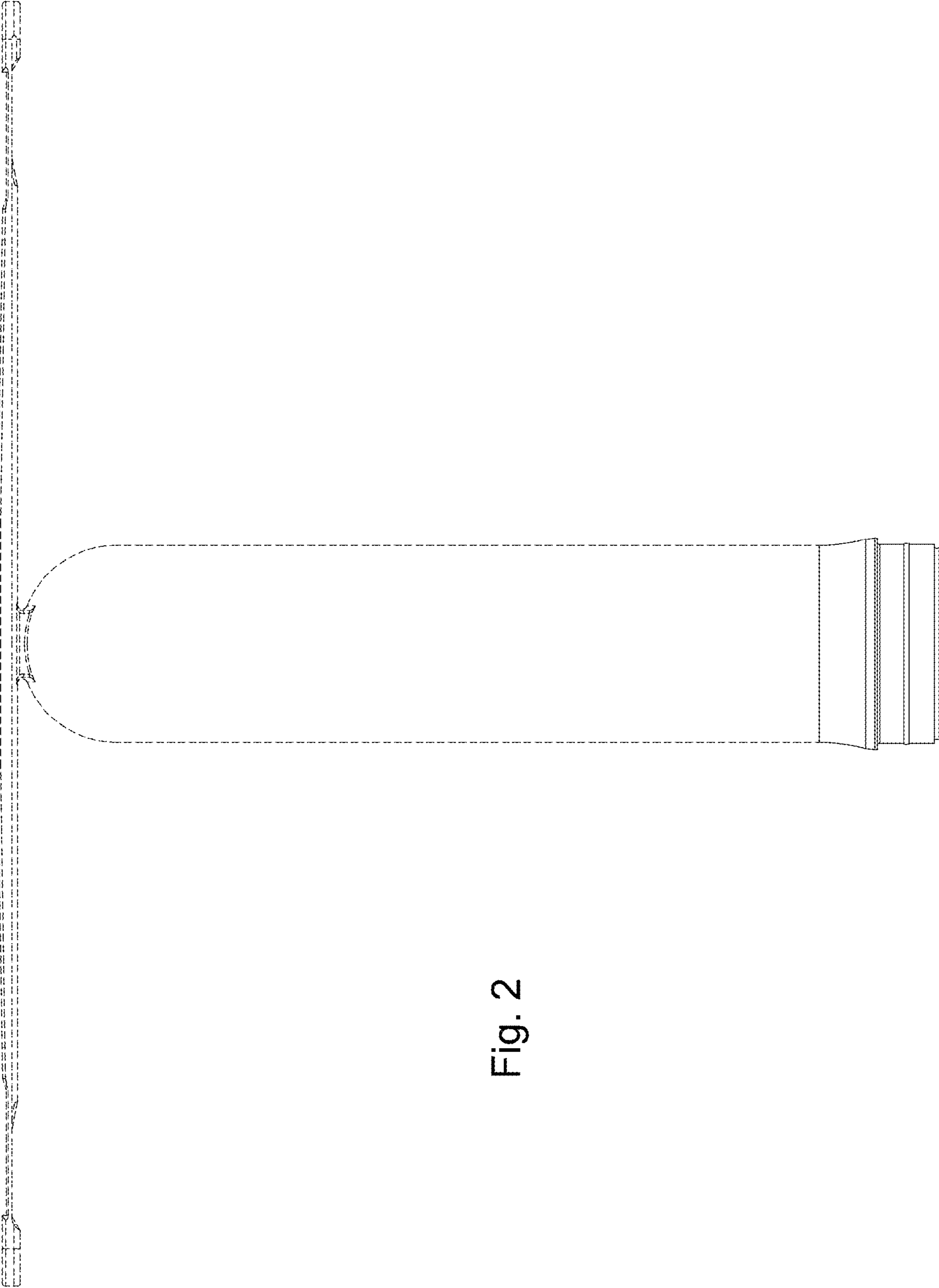


Fig. 2

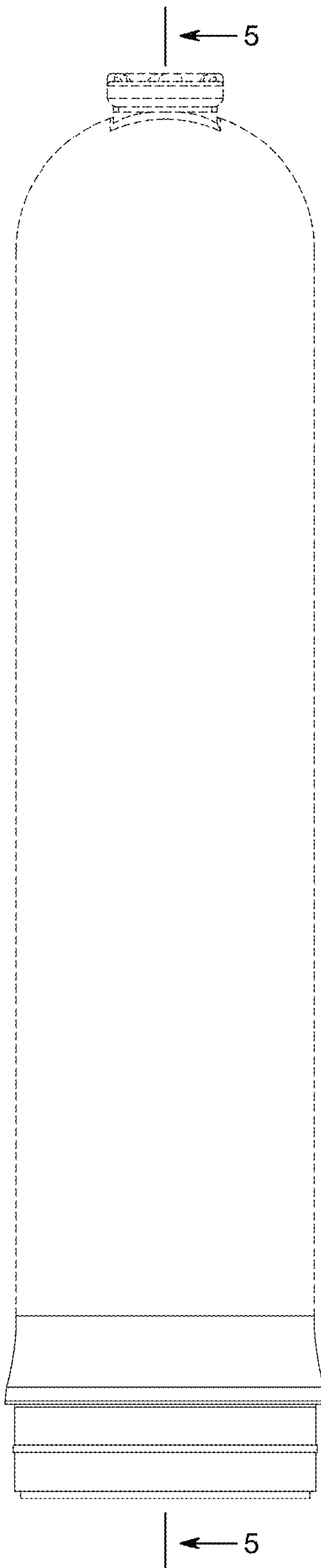


Fig. 3

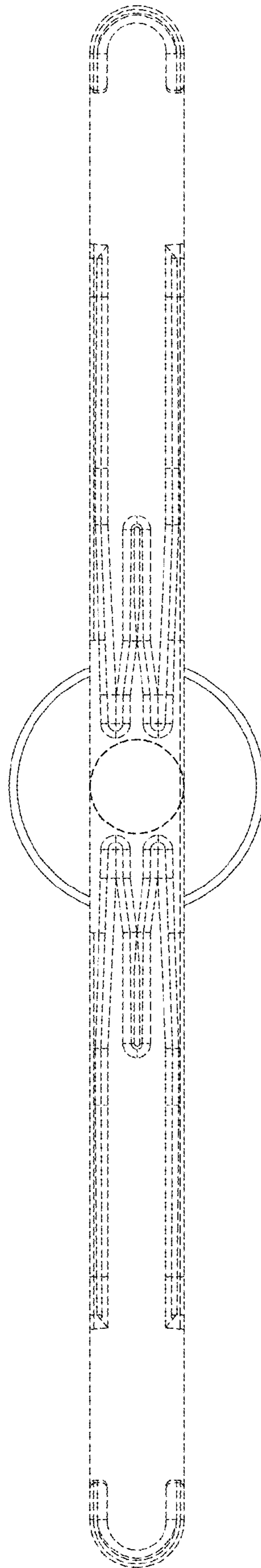


Fig. 4

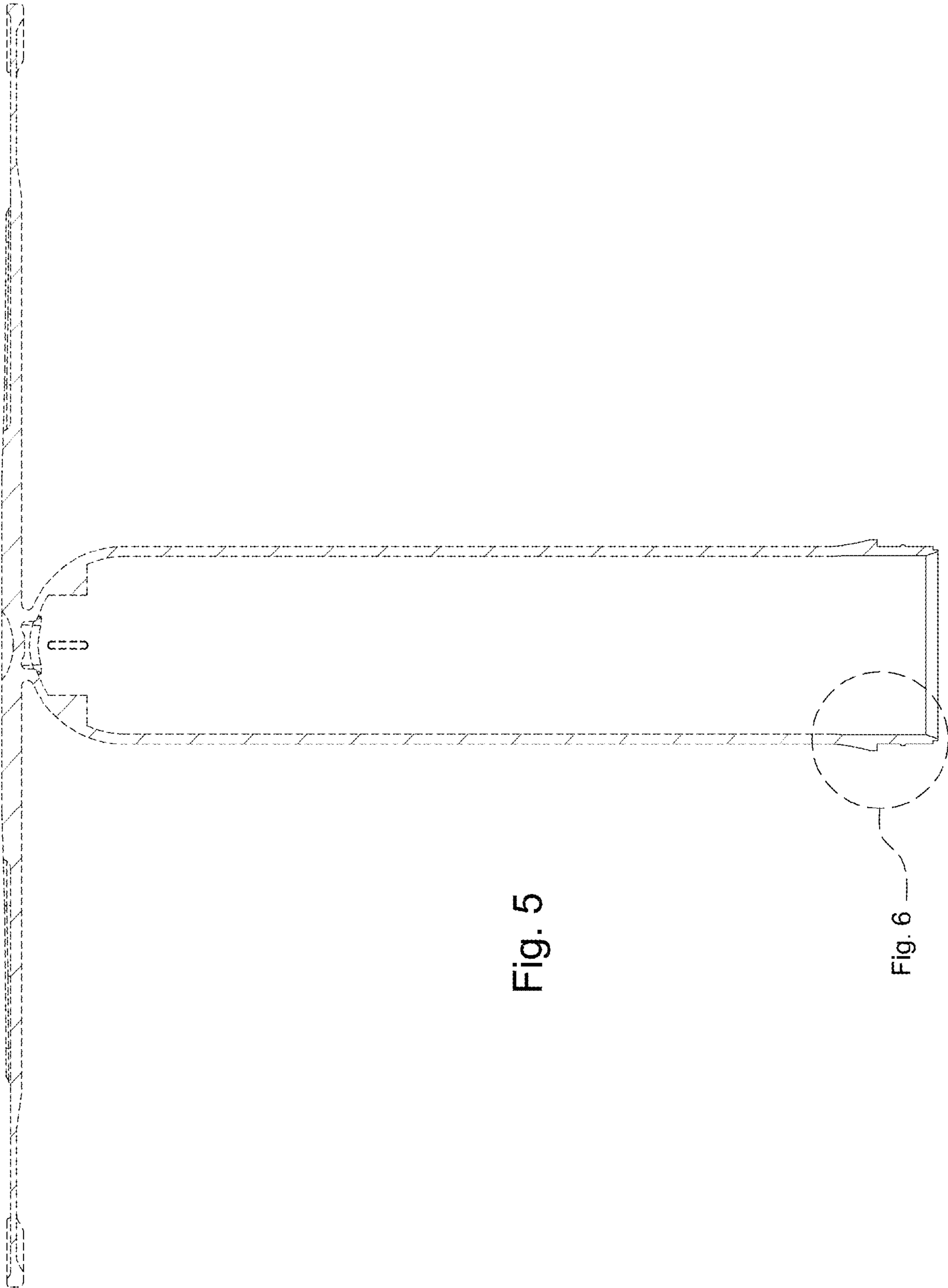


Fig. 5

Fig. 6

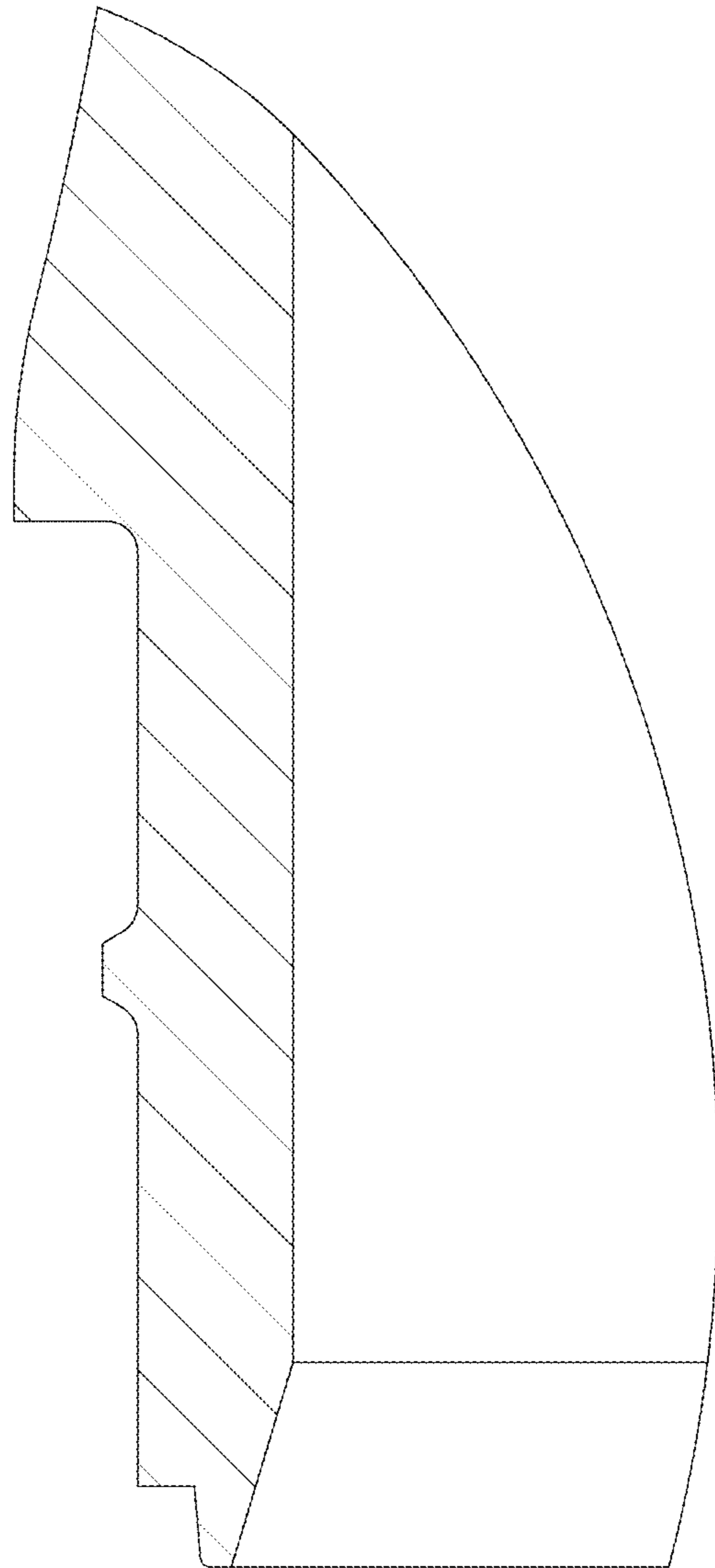


Fig. 6