

US00D909603S

(12) **United States Design Patent** (10) **Patent No.:** **US D909,603 S**  
**Tokimatu et al.** (45) **Date of Patent:** **\*\* Feb. 2, 2021**

(54) **HOLDING PAD FOR SUBSTRATE TRANSFER**

(71) Applicant: **TOKYO ELECTRON LIMITED,**  
Tokyo (JP)

(72) Inventors: **Toru Tokimatu,** Koshi (JP); **Akihiro Teramoto,** Koshi (JP)

(73) Assignee: **TOKYO ELECTRON LIMITED,**  
Tokyo (JP)

(\*\*) Term: **15 Years**

(21) Appl. No.: **29/665,837**

(22) Filed: **Oct. 8, 2018**

(30) **Foreign Application Priority Data**

Apr. 20, 2018 (JP) ..... 2018-008792

(51) **LOC (13) Cl.** ..... **24-02**

(52) **U.S. Cl.**  
USPC ..... **D24/225**

(58) **Field of Classification Search**  
USPC .... D24/110, 110.5, 169, 211, 223, 224, 225,  
D24/230; D10/74, 108; D8/352, 397;  
D23/225, 231, 232  
CPC ..... A61B 18/148; A61B 18/1482; A61B  
18/1487; F04B 1/00; F04B 1/10; F04B  
1/12  
See application file for complete search history.

(56) **References Cited**

**U.S. PATENT DOCUMENTS**

- D451,374 S \* 12/2001 Shinjo ..... D8/397
- D453,000 S \* 1/2002 Shinjo ..... D8/397
- D463,968 S \* 10/2002 LaPlume ..... D8/352
- D559,993 S \* 1/2008 Nagakubo ..... D24/232
- D559,994 S \* 1/2008 Nagakubo ..... D24/232
- D560,284 S \* 1/2008 Nagakubo ..... D24/232

- D679,375 S \* 4/2013 Kenyon ..... D24/110
- D684,694 S \* 6/2013 Green ..... A61B 17/132  
D24/169
- D684,695 S \* 6/2013 Green ..... D24/143
- D685,461 S \* 7/2013 Striebig ..... D24/110
- D705,438 S \* 5/2014 Wainwright ..... D24/216
- D736,261 S \* 8/2015 Bellinger ..... D15/28
- D738,491 S \* 9/2015 Foley ..... D24/121
- D738,935 S \* 9/2015 Chu ..... D15/9
- D755,038 S \* 5/2016 Bolton ..... D8/352
- D756,747 S \* 5/2016 Wu ..... D8/352
- D855,207 S \* 7/2019 Ito ..... D24/225

(Continued)

*Primary Examiner* — Susan Bennett Hattan

*Assistant Examiner* — Omeed Agilee

(74) *Attorney, Agent, or Firm* — Nath, Goldberg & Meyer; Jerald L. Meyer

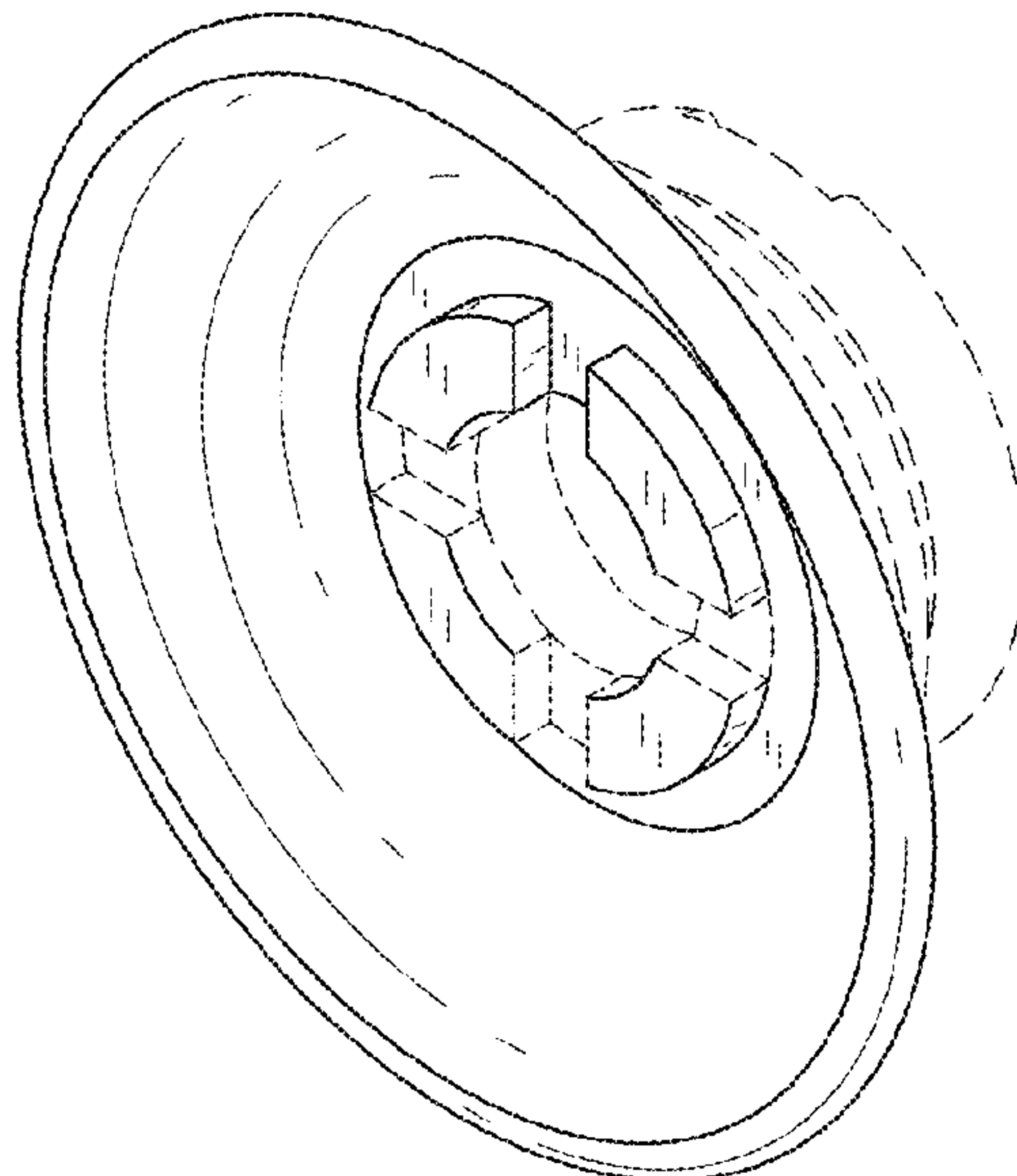
(57) **CLAIM**

The ornamental design for a holding pad for substrate transfer, as shown and described.

**DESCRIPTION**

FIG. 1 is an isometric view of a holding pad for substrate transfer showing our new design item.  
 FIG. 2 is a top plan view thereof.  
 FIG. 3 is a bottom plan view thereof.  
 FIG. 4 is a first side elevational view thereof.  
 FIG. 5 is a second side elevational view thereof.  
 FIG. 6 is a third side elevational view thereof.  
 FIG. 7 is a fourth side elevational view thereof.  
 FIG. 8 is a cross sectional view thereof taken along cut lines 8-8 of FIG. 2; and,  
 FIG. 9 is a bottom isometric view thereof.  
 The dashed lines in the drawings depict portions of the holding pad for substrate transfer that form no part of the claimed design.  
 The long dash-short dash-short dash lines in the drawings depict the boundaries of the claim and form no part thereof.

**1 Claim, 9 Drawing Sheets**



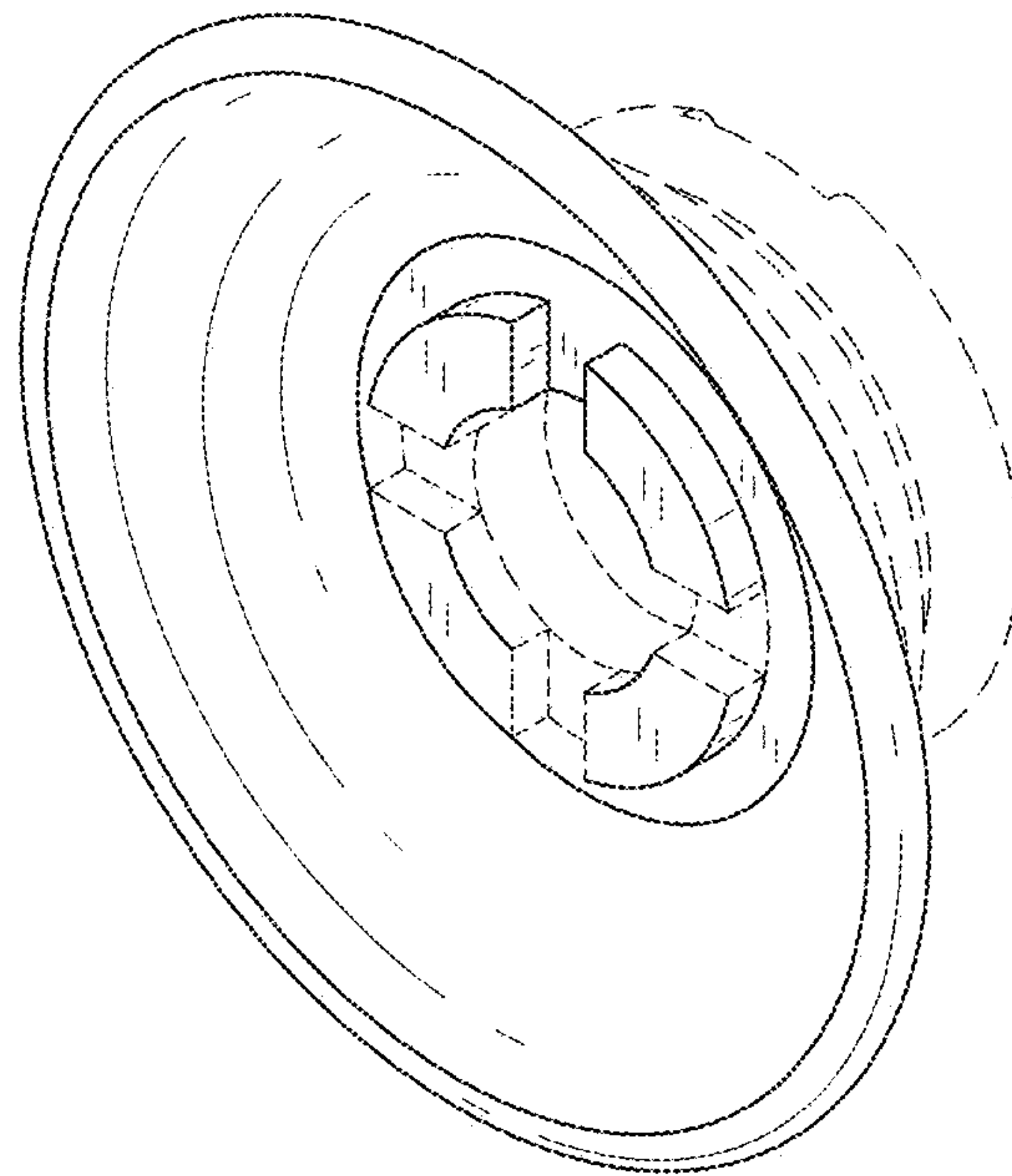
(56)

**References Cited**

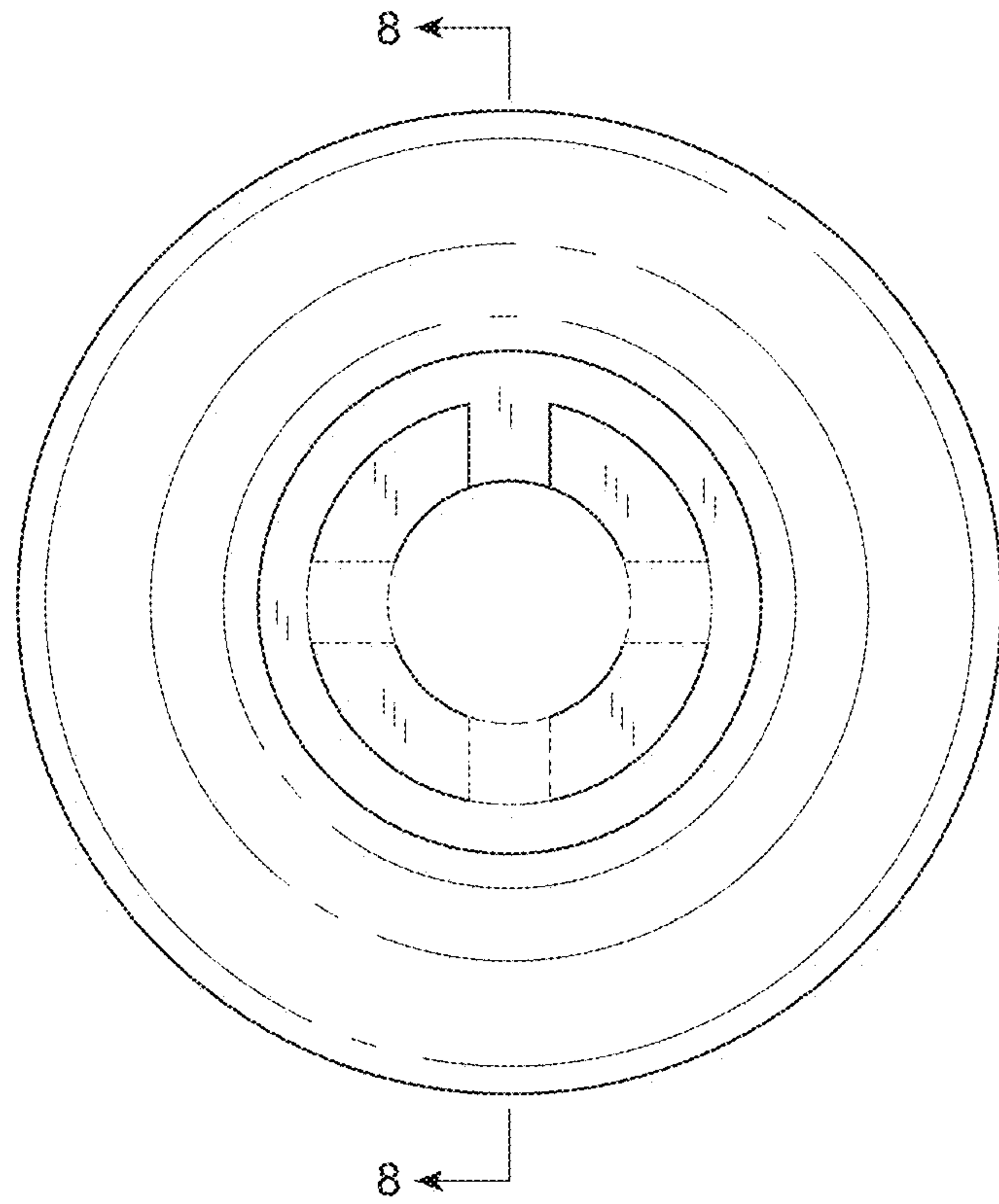
U.S. PATENT DOCUMENTS

D867,576 S \* 11/2019 Hewitt ..... D24/110  
D878,548 S \* 3/2020 Lane ..... D24/110.5  
2011/0259457 A1\* 10/2011 Lin ..... F16K 3/085  
137/625.46

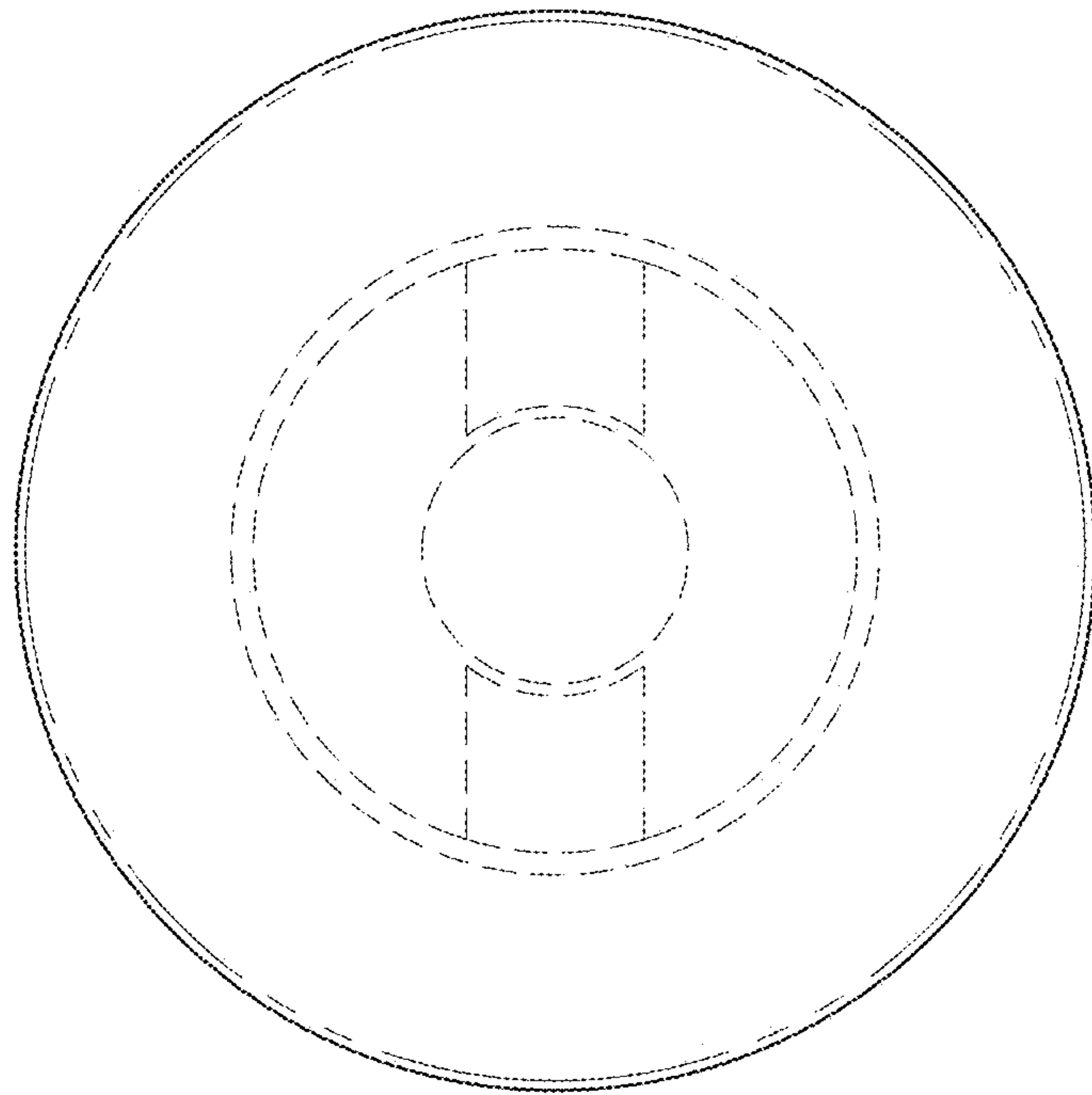
\* cited by examiner



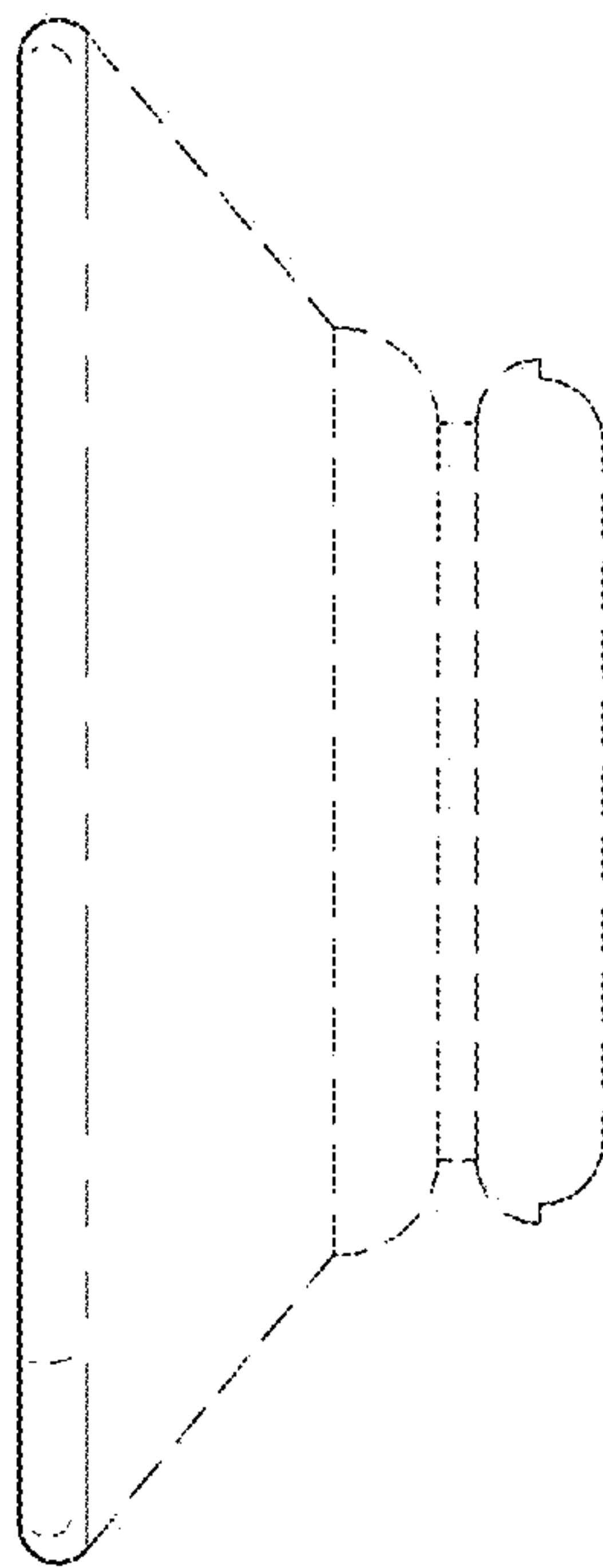
**FIG. 1**



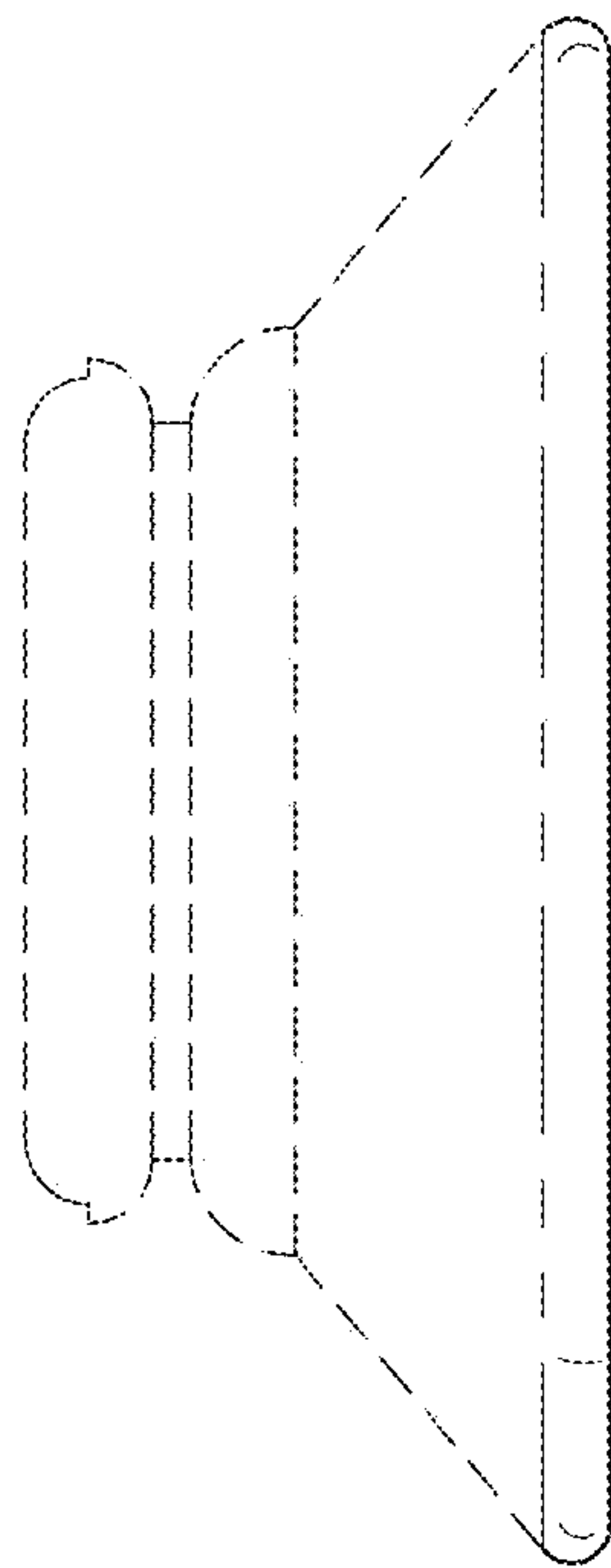
**FIG. 2**



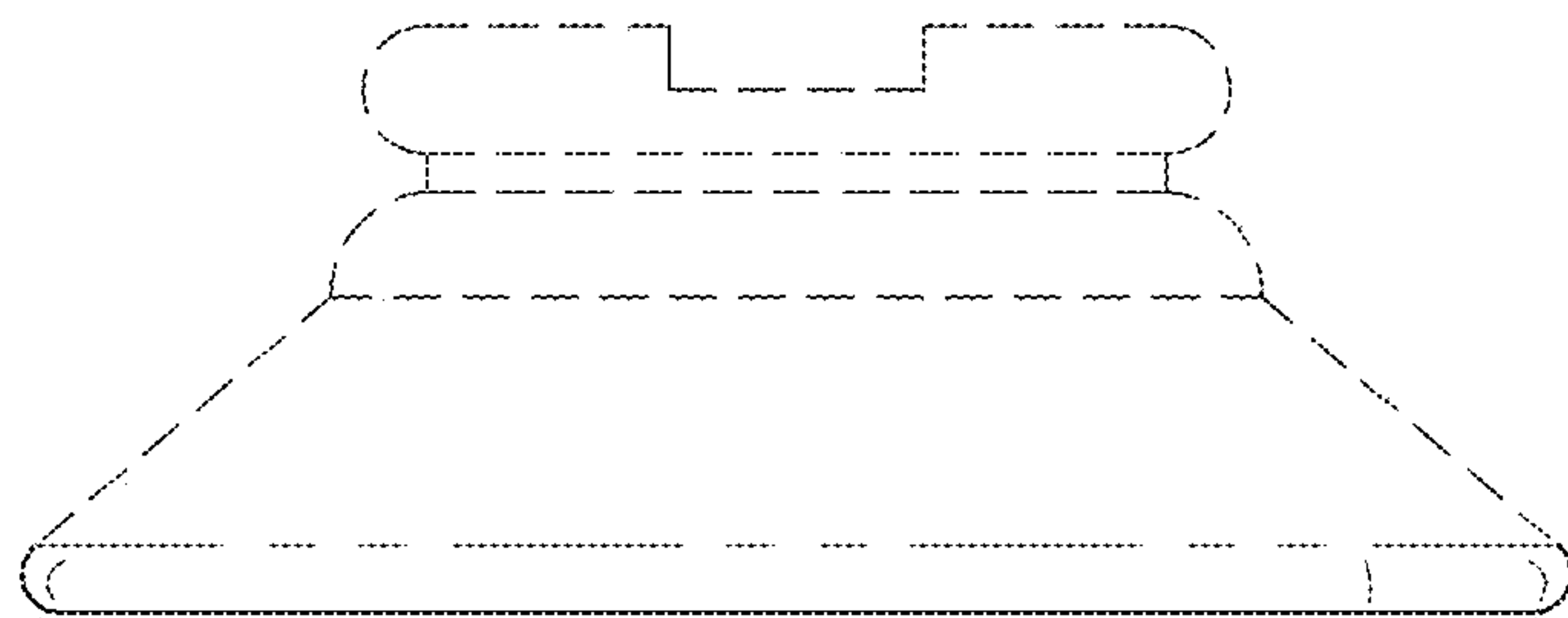
**FIG. 3**



**FIG. 4**

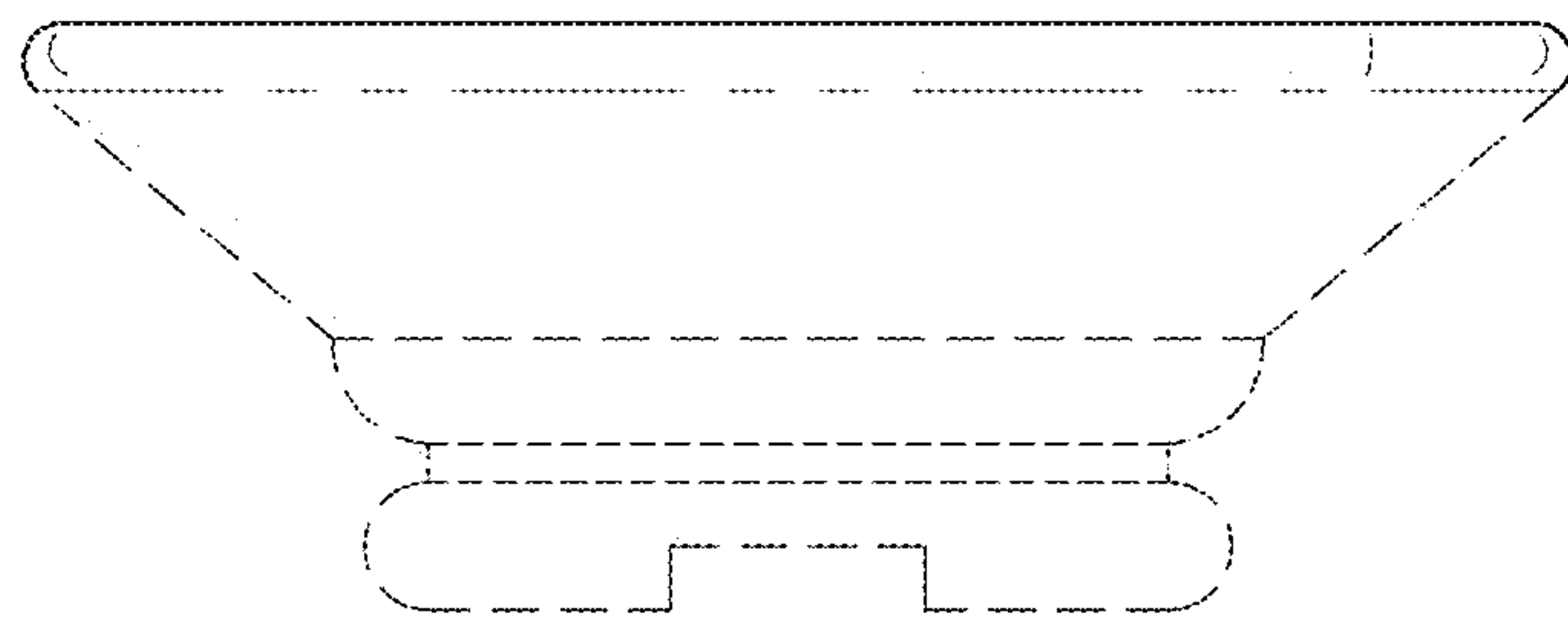


**FIG. 5**

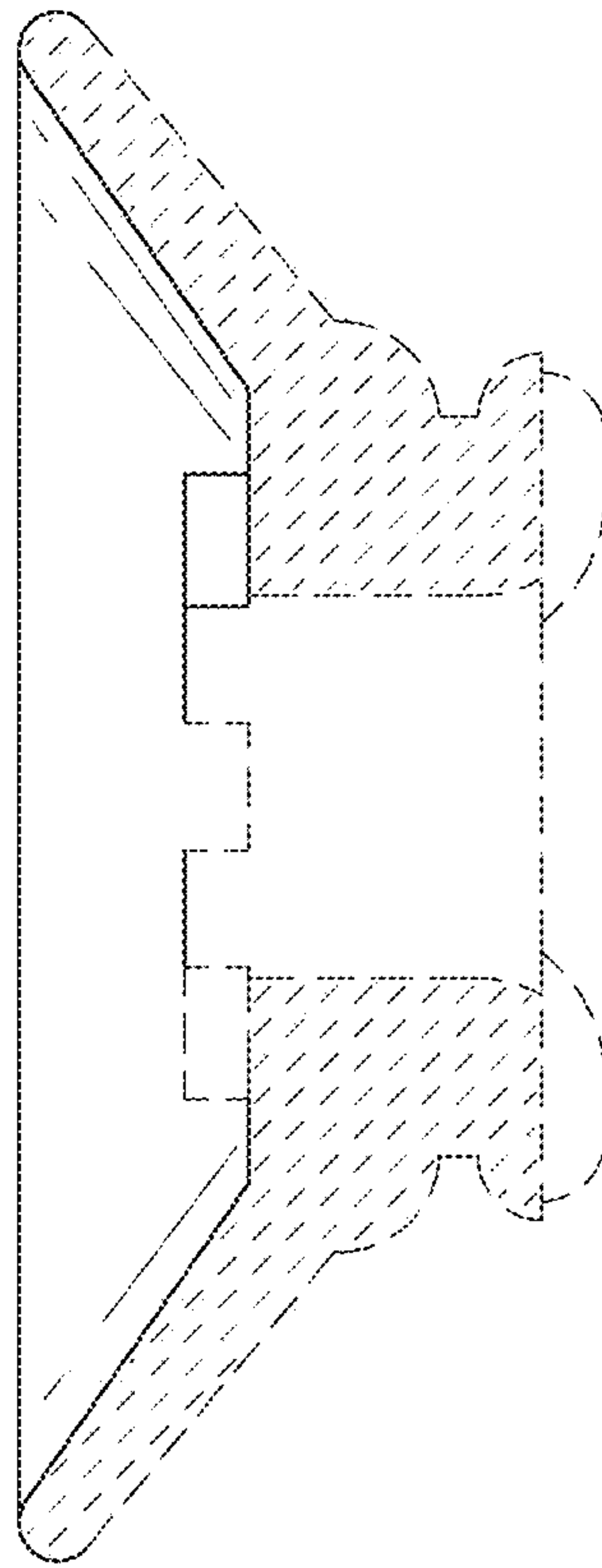


**FIG. 6**

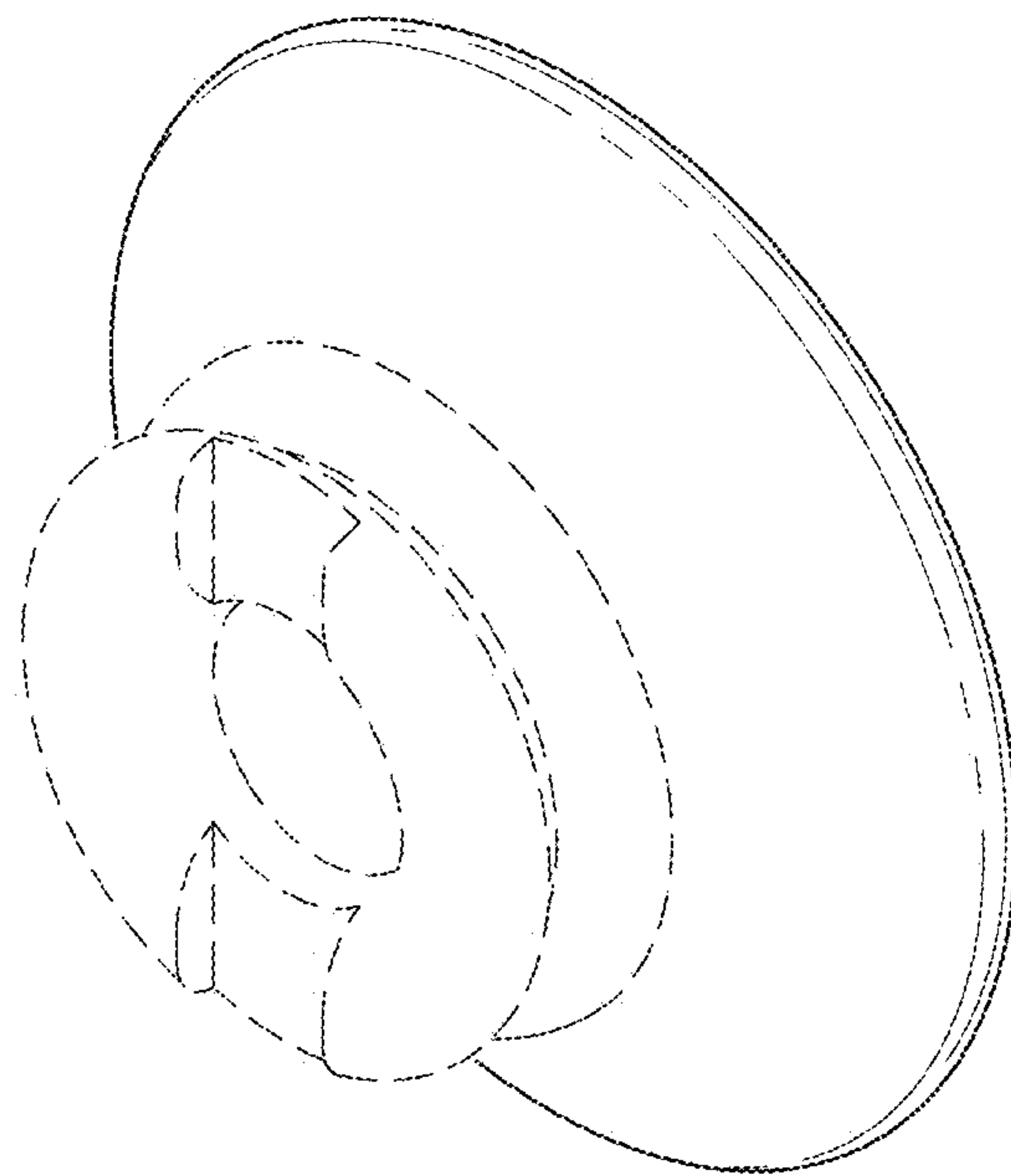




**FIG. 7**



**FIG. 8**



**FIG. 9**

UNITED STATES PATENT AND TRADEMARK OFFICE  
**CERTIFICATE OF CORRECTION**

PATENT NO. : D909,603 S  
APPLICATION NO. : 29/665837  
DATED : February 2, 2021  
INVENTOR(S) : Toru Tokimatu and Akihiro Teramoto

Page 1 of 1

It is certified that error appears in the above-identified patent and that said Letters Patent is hereby corrected as shown below:

On the Title Page

In the Description for Figure 1, please delete the word “item” at the end of the sentence.

Signed and Sealed this  
Thirtieth Day of March, 2021



Drew Hirshfeld  
*Performing the Functions and Duties of the  
Under Secretary of Commerce for Intellectual Property and  
Director of the United States Patent and Trademark Office*