



US00D909601S

(12) **United States Design Patent**
Pai et al.

(10) **Patent No.:** **US D909,601 S**

(45) **Date of Patent:** **** Feb. 2, 2021**

- (54) **BLENDING MANIFOLD**
- (71) Applicant: **Lamamed Solutions, Inc.**, Hayward, CA (US)
- (72) Inventors: **Suresh Subraya Pai**, Los Altos, CA (US); **Celso Jacinto Bagoisan**, Union City, CA (US)
- (**) Term: **15 Years**
- (21) Appl. No.: **29/672,741**
- (22) Filed: **Dec. 7, 2018**
- (51) **LOC (13) Cl.** **24-02**
- (52) **U.S. Cl.**
USPC **D24/220**
- (58) **Field of Classification Search**
USPC D24/220, 129
CPC A61M 5/19; A61M 16/0463; A61C 5/66; A61B 17/0485; B01F 11/0082
See application file for complete search history.

- 5,378,233 A * 1/1995 Haber A61M 5/19 604/135
- 6,120,174 A * 9/2000 Hoag B01F 11/0082 366/139
- D483,495 S * 12/2003 Sand D24/220
- D617,001 S * 6/2010 Lee D24/220
- 9,539,002 B2 * 1/2017 Bagoisan A61B 17/0485
- D826,400 S * 8/2018 Nelson D24/129
- D849,936 S * 5/2019 Allard D24/129

* cited by examiner

Primary Examiner — Rhea Shields

(74) *Attorney, Agent, or Firm* — Jonathan D Feuchtwang

(57) **CLAIM**

The ornamental design for a blending manifold, as shown and described.

DESCRIPTION

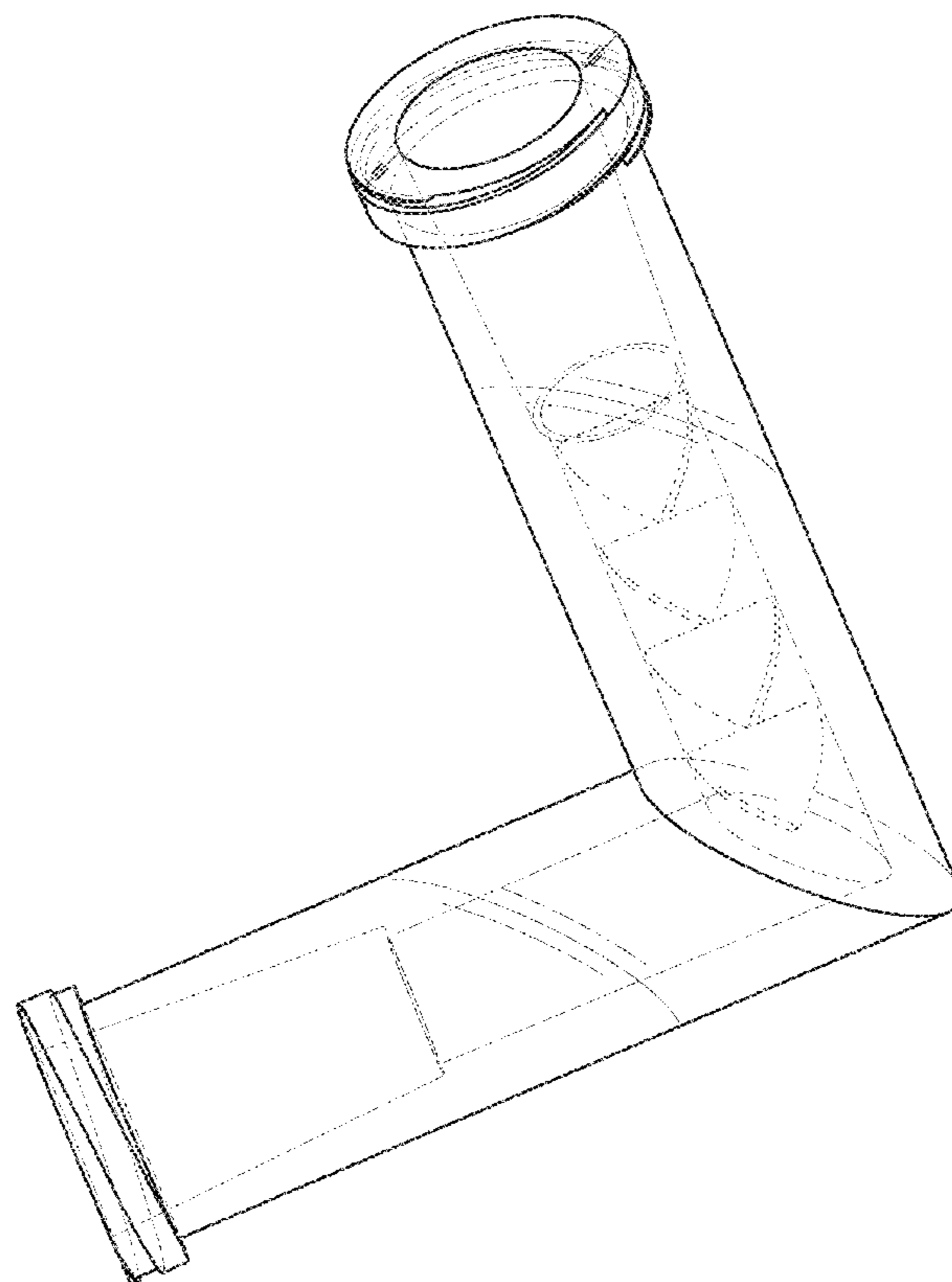
FIG. 1 is a front perspective view of a blending manifold, showing our new design;
 FIG. 2 is a front elevation view of the blending manifold of FIG. 1;
 FIG. 3 is a rear elevation view of the blending manifold of FIG. 1;
 FIG. 4 is a first side elevation view of the blending manifold of FIG. 1;
 FIG. 5 is a first side elevation view of the blending manifold of FIG. 1;
 FIG. 6 is a top view of the blending manifold of FIG. 1; and,
 FIG. 7 is a bottom view of the blending manifold of FIG. 1.

1 Claim, 7 Drawing Sheets

(56) **References Cited**

U.S. PATENT DOCUMENTS

- 2,549,644 A * 4/1951 Silverman A61C 5/66 366/349
- D276,465 S * 11/1984 Clawson D24/129
- D297,367 S * 8/1988 Miyasaka D24/129
- D313,849 S * 1/1991 Robinson D24/129
- 5,181,508 A * 1/1993 Poole, Jr. A61M 16/0463 128/203.12



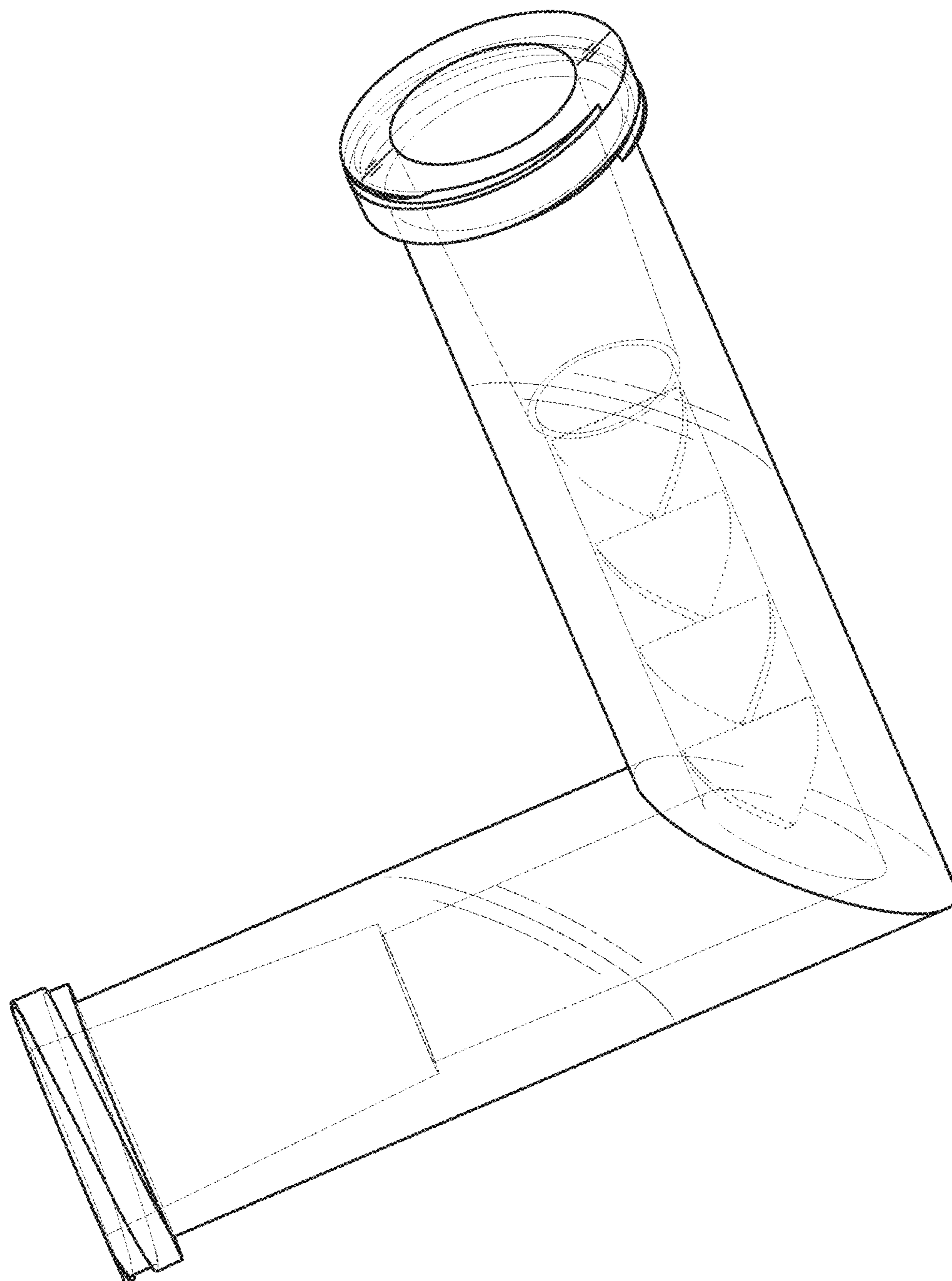


FIG. 1

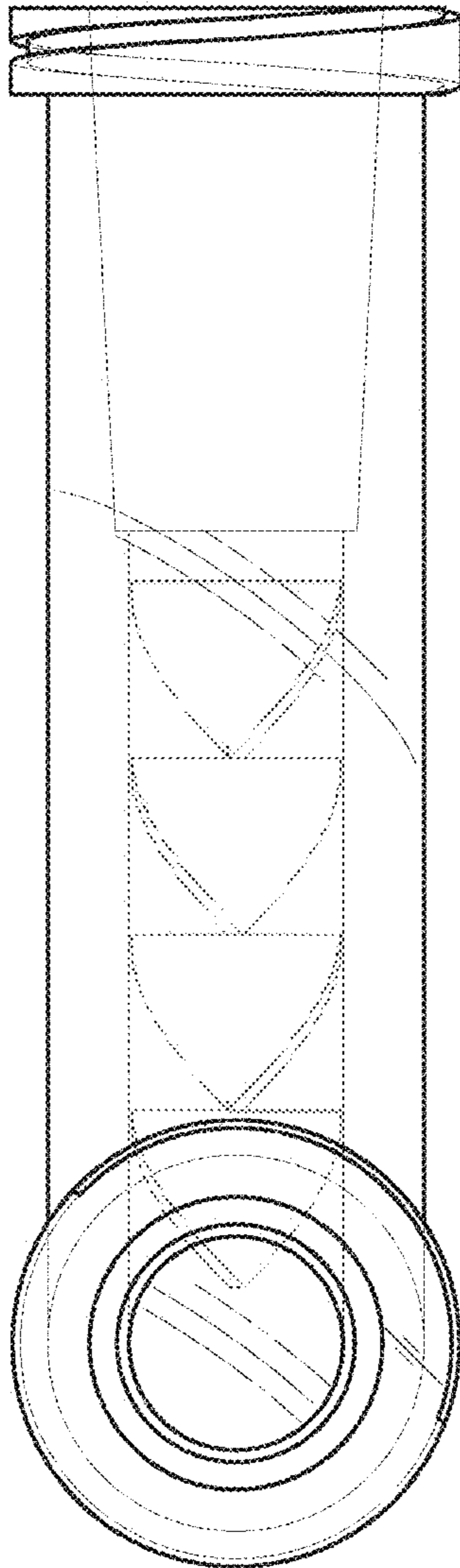


FIG. 2

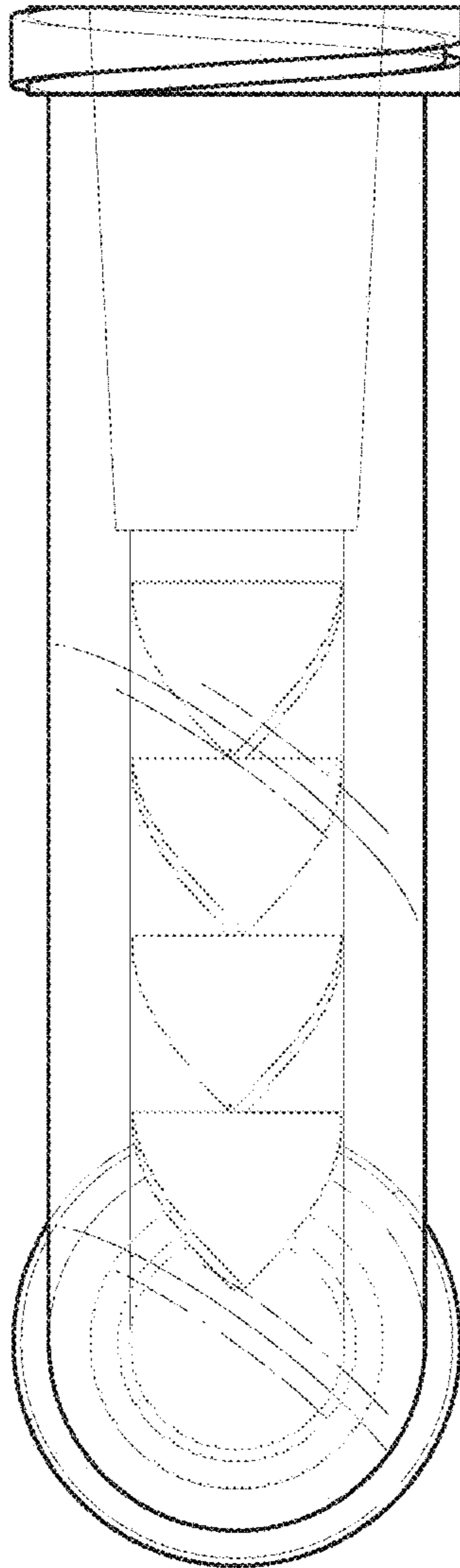


FIG. 3

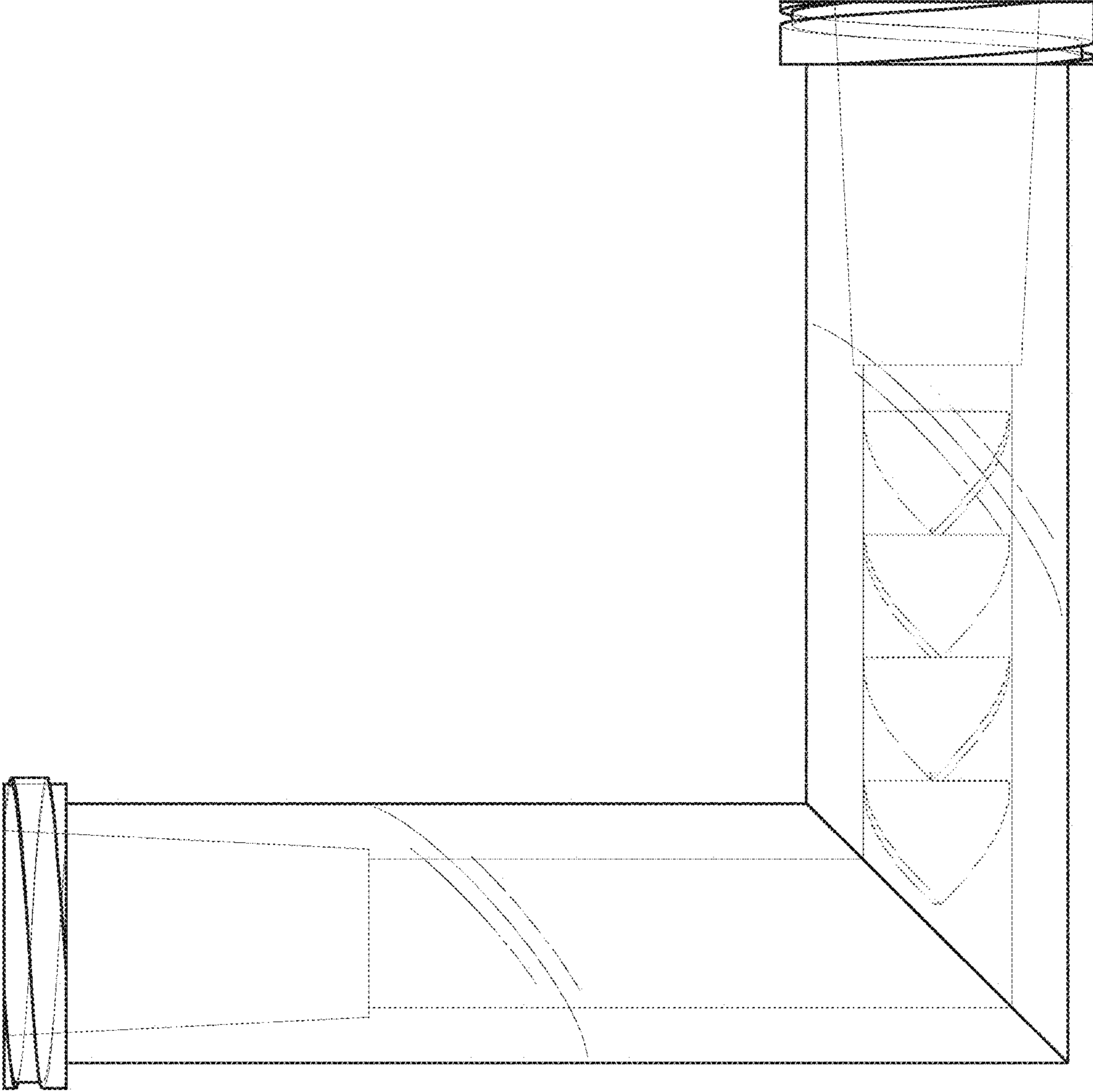


FIG. 4

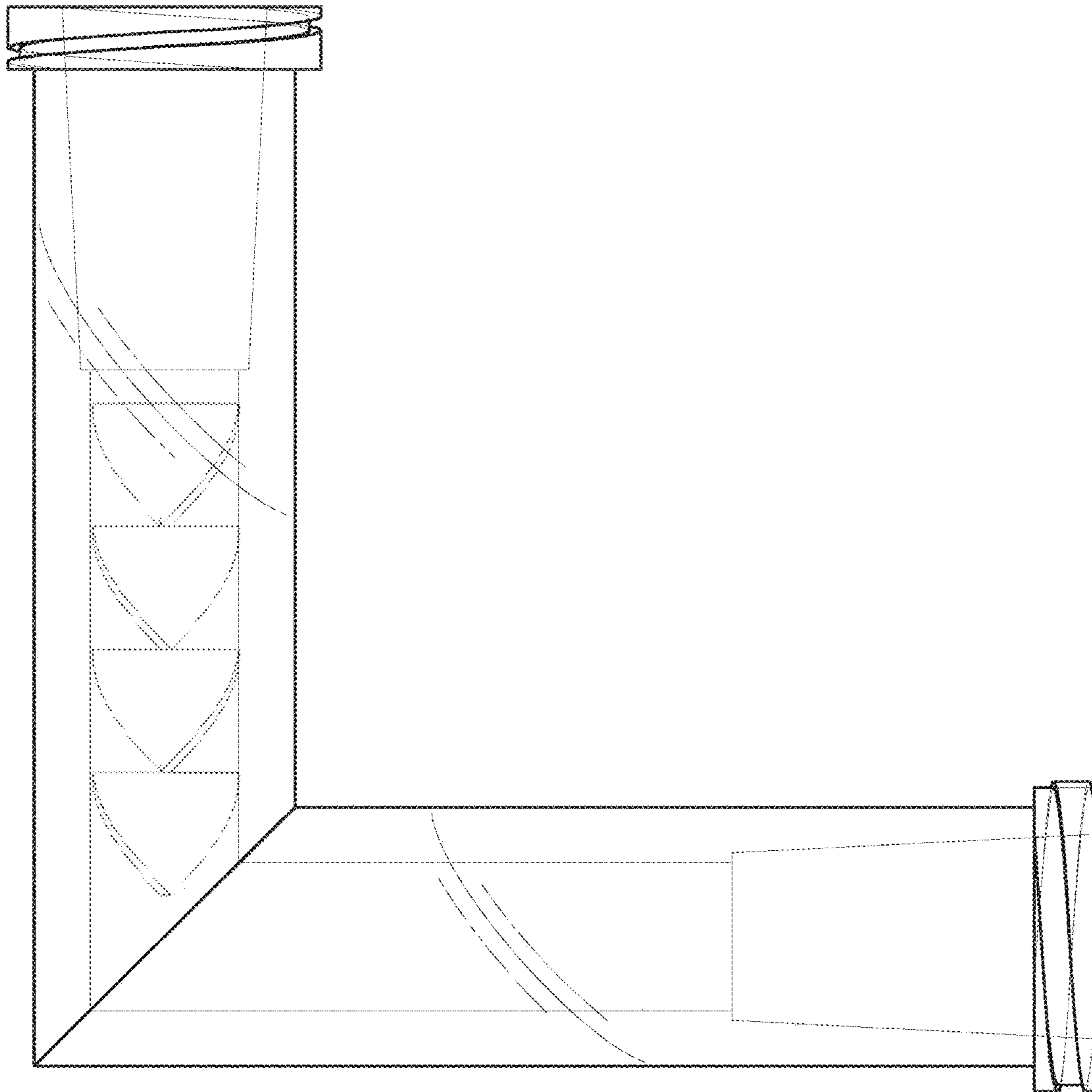


FIG. 5

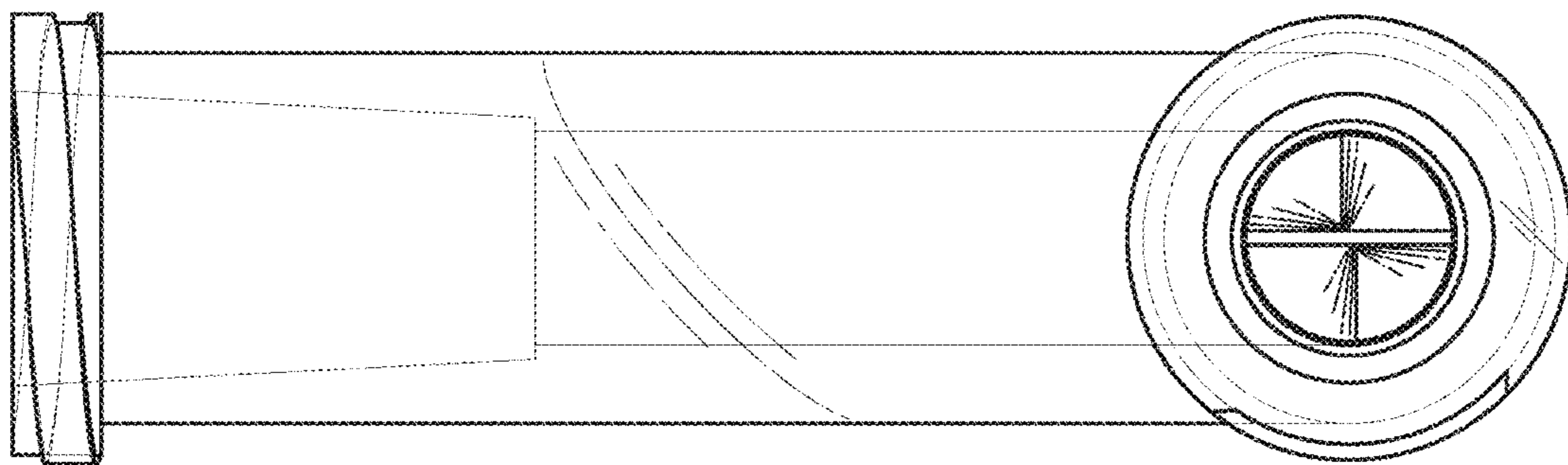


FIG. 6

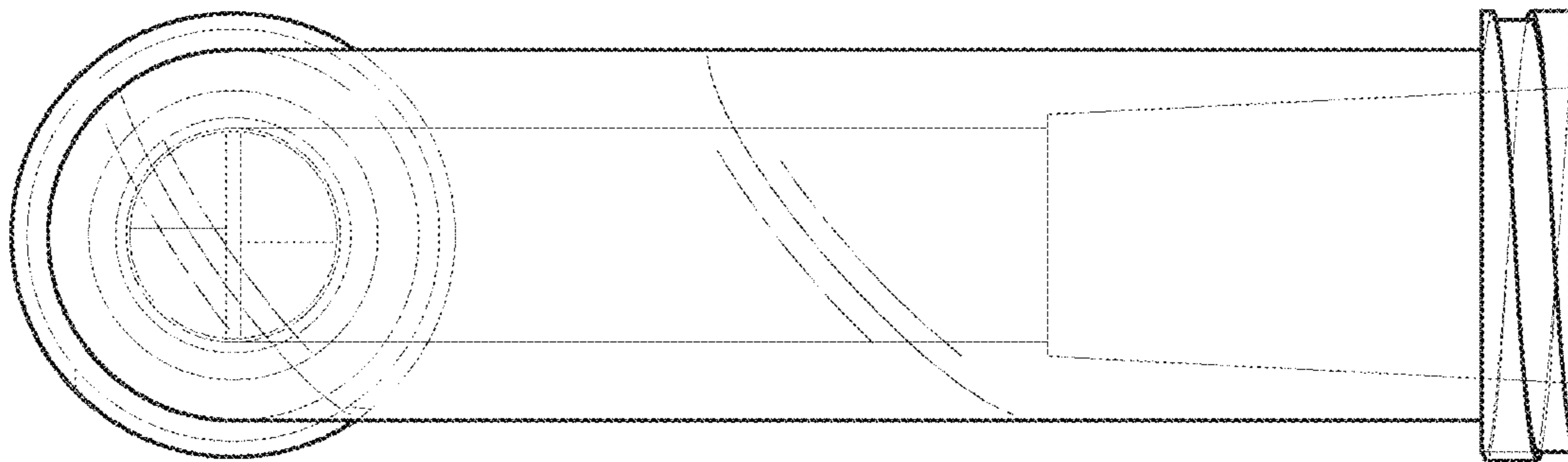


FIG. 7