



US00D909594S

(12) **United States Design Patent** (10) **Patent No.:** **US D909,594 S**
Kothari et al. (45) **Date of Patent:** **** Feb. 2, 2021**

(54) **MOUTHPIECE FOR USE IN INTRAORAL PHOTOTHERAPIES**

2017/0080249 A1* 3/2017 Brawn A61N 5/0625
2017/0173358 A1* 6/2017 Demarest A61N 5/0624
2018/0256916 A1* 9/2018 Kothari A61N 5/0603

(71) Applicant: **Mureva Phototherapy Inc.**,
Strongsville, OH (US)

* cited by examiner

(72) Inventors: **Vedang Kothari**, Cleveland, OH (US);
Jordan Oja, Stow, OH (US)

Primary Examiner — Anhdao Doan

(73) Assignee: **Mureva Phototherapy Inc.**,
Strongsville, OH (US)

(74) *Attorney, Agent, or Firm* — Renner, Otto, Boisselle
& Sklar, LLP

(**) Term: **15 Years**

(57) **CLAIM**

The ornamental design for a mouthpiece for use in intraoral phototherapies, as shown and described.

(21) Appl. No.: **29/677,883**

DESCRIPTION

(22) Filed: **Jan. 24, 2019**

(51) **LOC (13) Cl.** **24-02**

(52) **U.S. Cl.**
USPC **D24/209; D24/152**

(58) **Field of Classification Search**
USPC D24/107, 186, 200, 209, 210, 231, 110,
D24/152, 176; D29/108
CPC A61N 5/0603; A61N 5/0624; A61N
2005/0606; A61N 2005/0662; A61C
19/06; A61C 19/063; A61M 16/049;
A61M 16/0495

See application file for complete search history.

FIG. 1 is a top perspective view of a mouthpiece for use in intraoral phototherapies according to the design.
FIG. 2 is a bottom perspective view of the mouthpiece for use in intraoral phototherapies according to the design.
FIG. 3 is a top view of the mouthpiece for use in intraoral phototherapies according to the design.
FIG. 4 is a bottom view of the mouthpiece for use in intraoral phototherapies according to the design.
FIG. 5 is a right side view of the mouthpiece for use in intraoral phototherapies according to the design.
FIG. 6 is a left side view of the mouthpiece for use in intraoral phototherapies according to the design.
FIG. 7 is a front view of the mouthpiece for use in intraoral phototherapies according to the design; and,
FIG. 8 is a back view of the mouthpiece for use in intraoral phototherapies according to the design.

The broken lines shown herein are for illustrative purposes only and form no part of the claimed design.

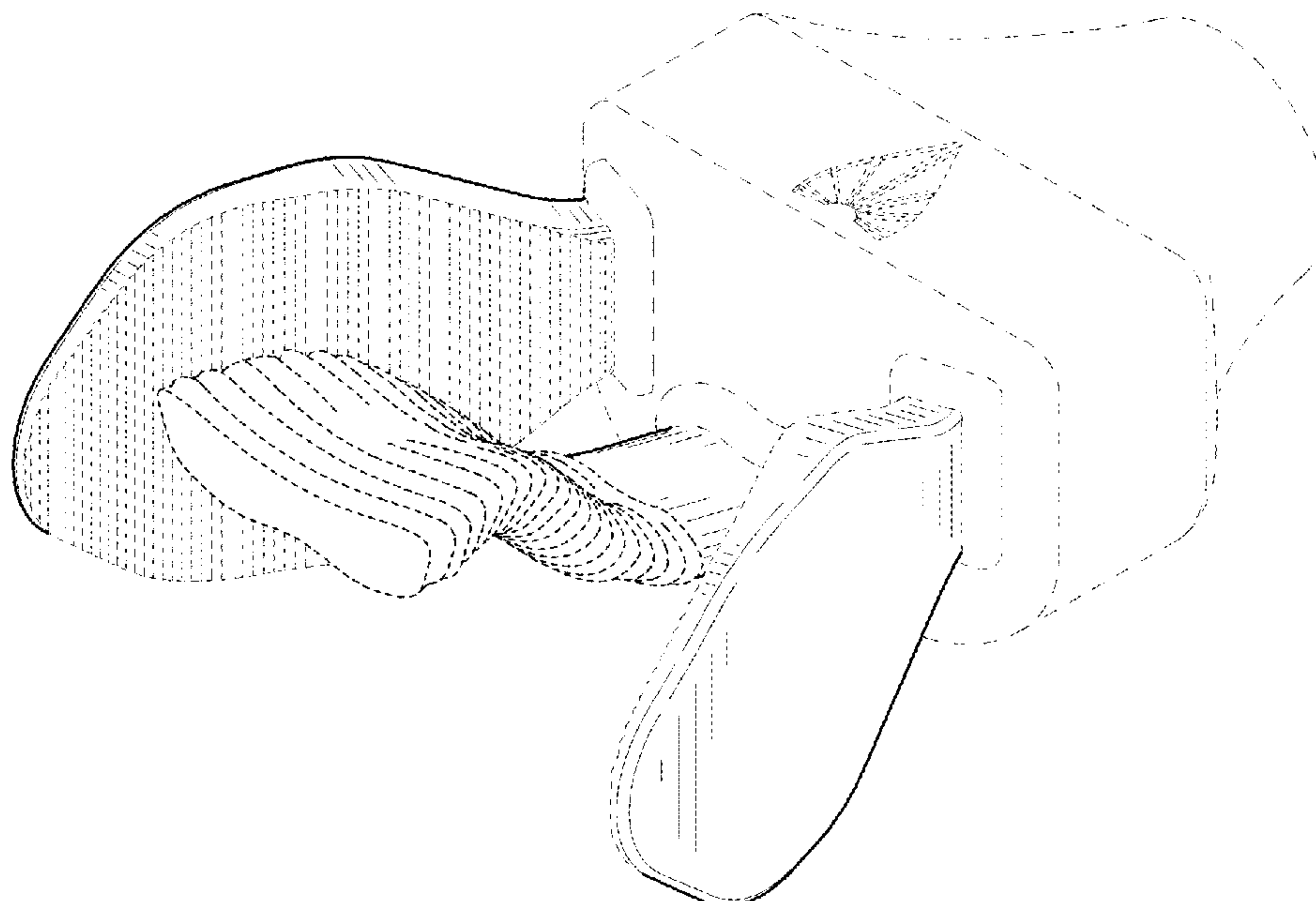
The broken lines depict portions of the mouthpiece for use in intraoral phototherapies that form no part of the claimed design.

(56) **References Cited**

U.S. PATENT DOCUMENTS

D462,438 S * 9/2002 Masuda D24/110
D528,655 S * 9/2006 Clawson D24/110
D692,135 S * 10/2013 McHale D24/152
D804,047 S * 11/2017 Michaels D24/209
D864,399 S * 10/2019 Qin D24/176
D867,598 S * 11/2019 Qin D24/176
D870,905 S * 12/2019 Xiong D24/200
D877,340 S * 3/2020 Montgomery D24/176

1 Claim, 4 Drawing Sheets



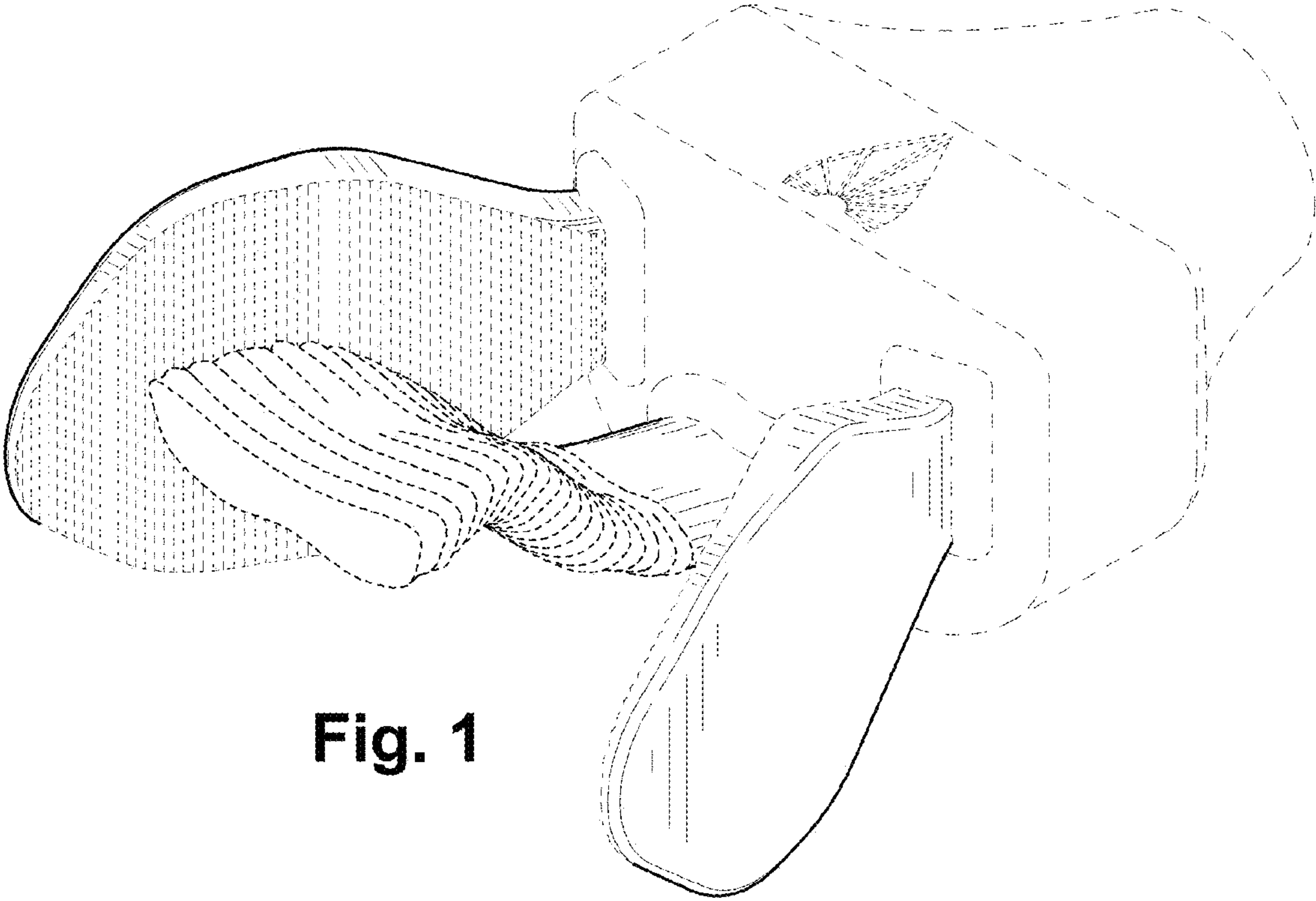


Fig. 1

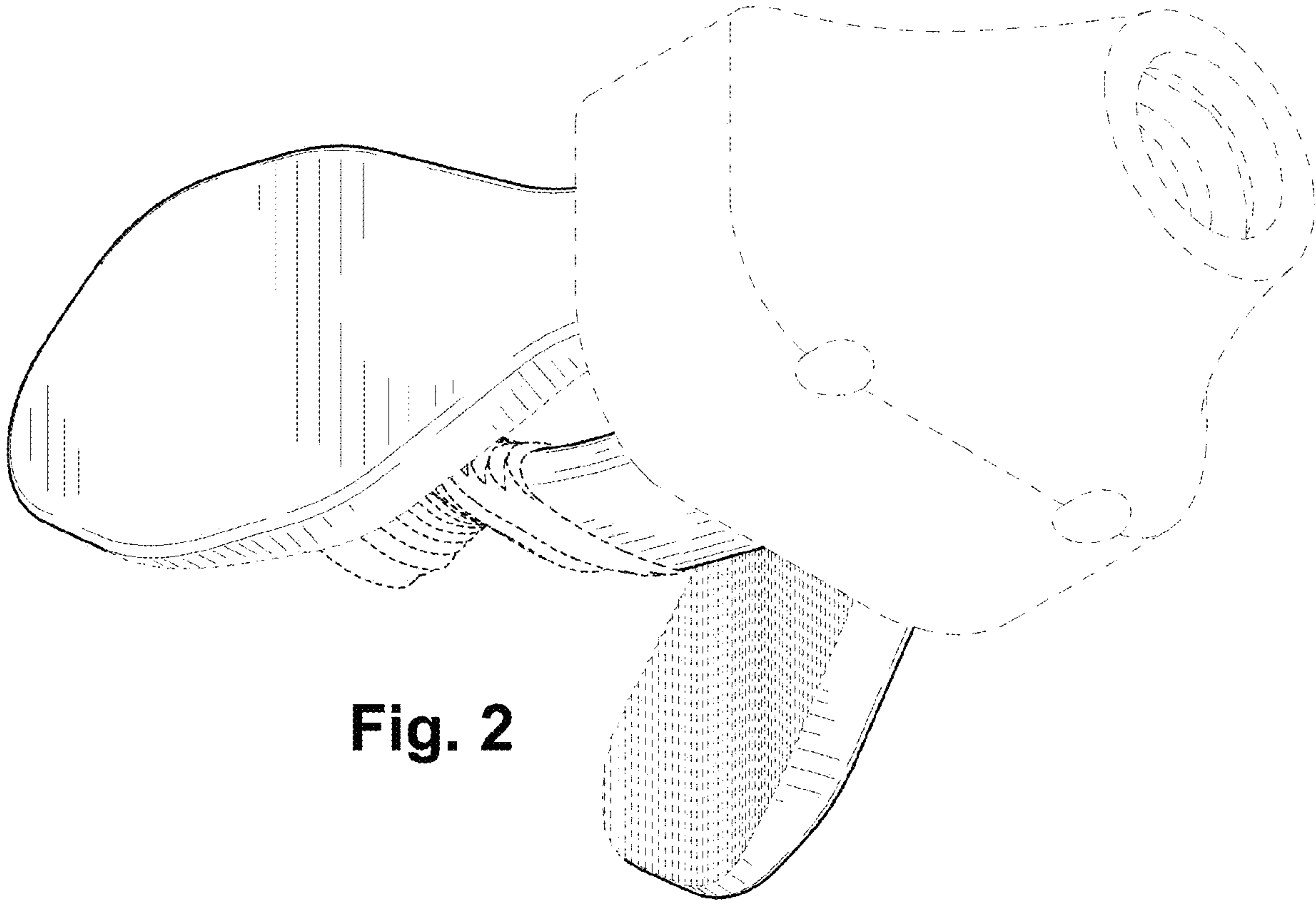


Fig. 2

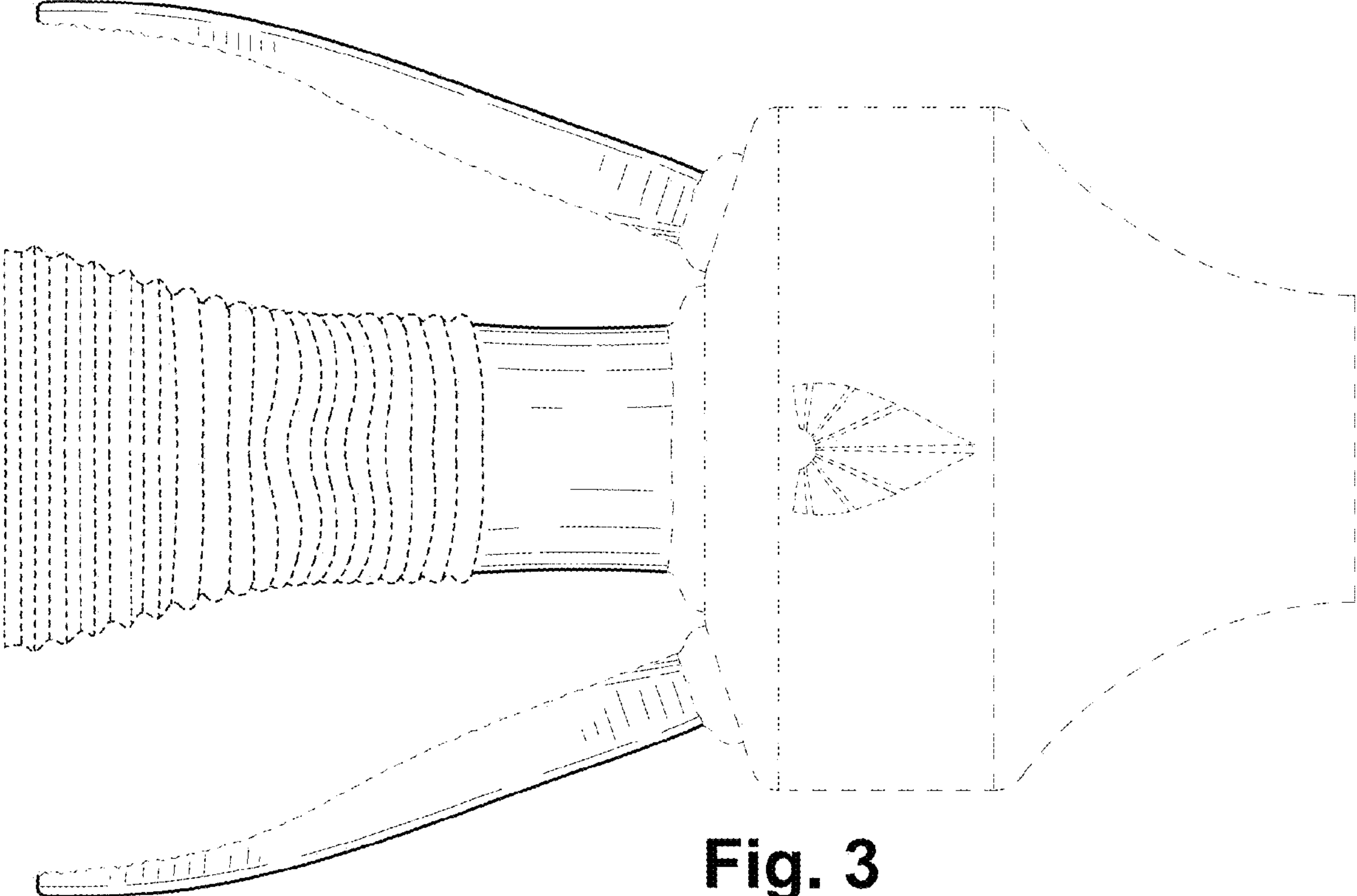


Fig. 3

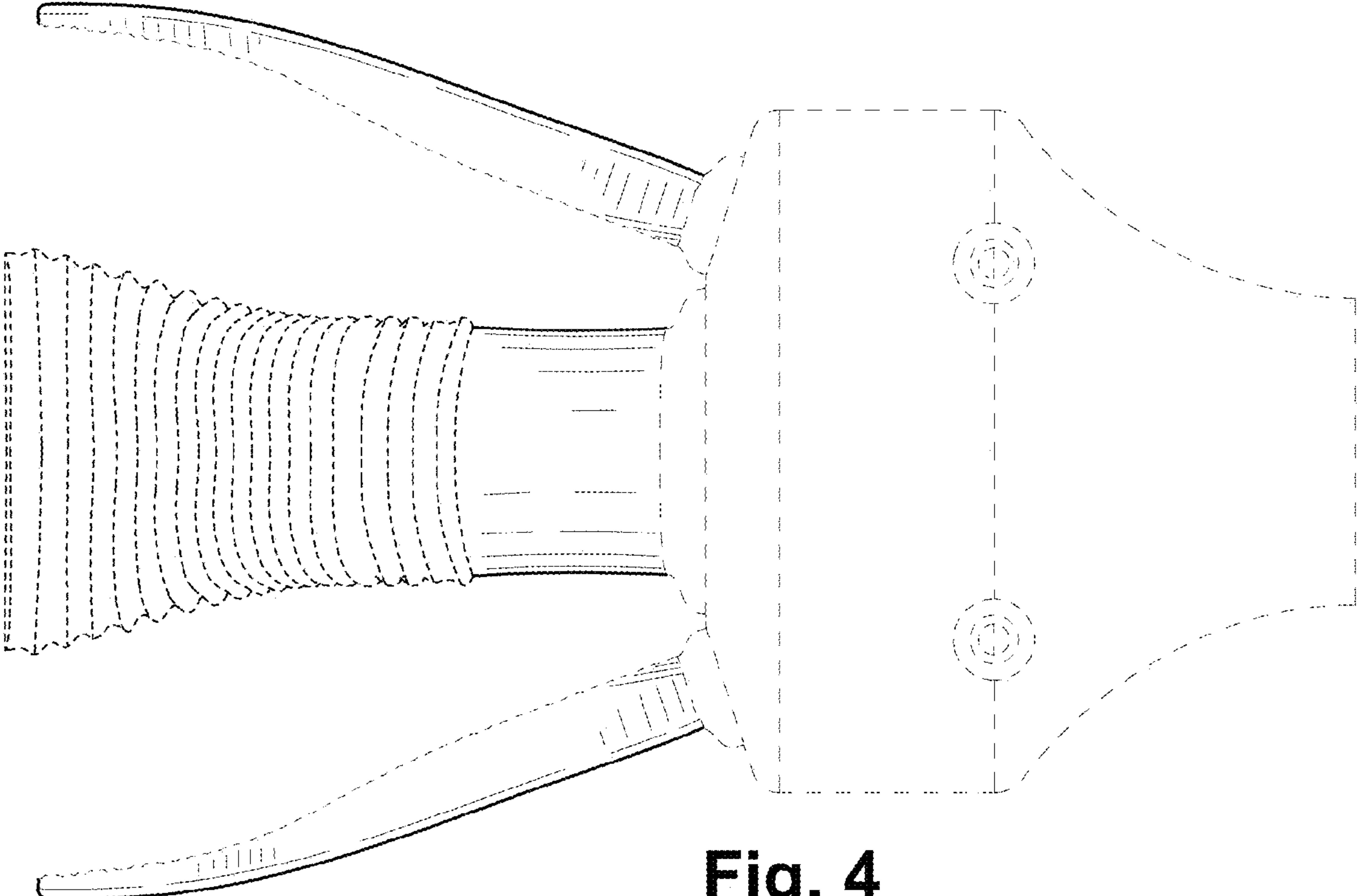


Fig. 4

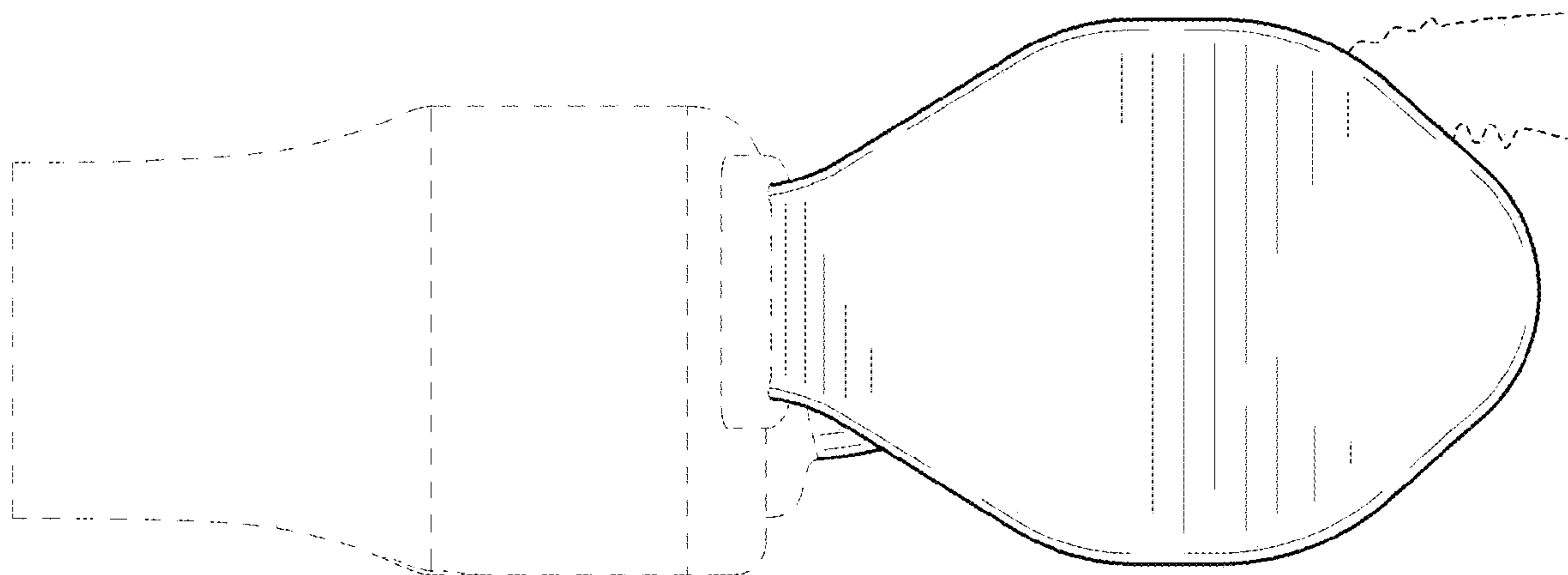


Fig. 5

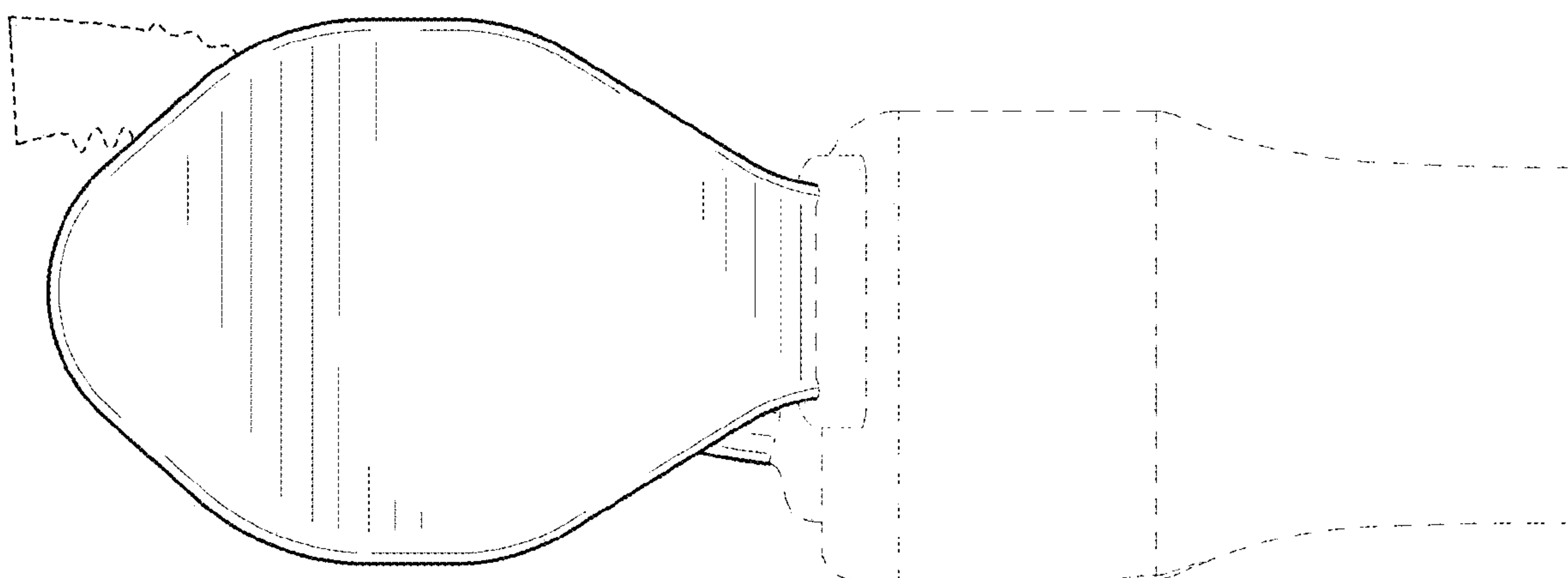


Fig. 6

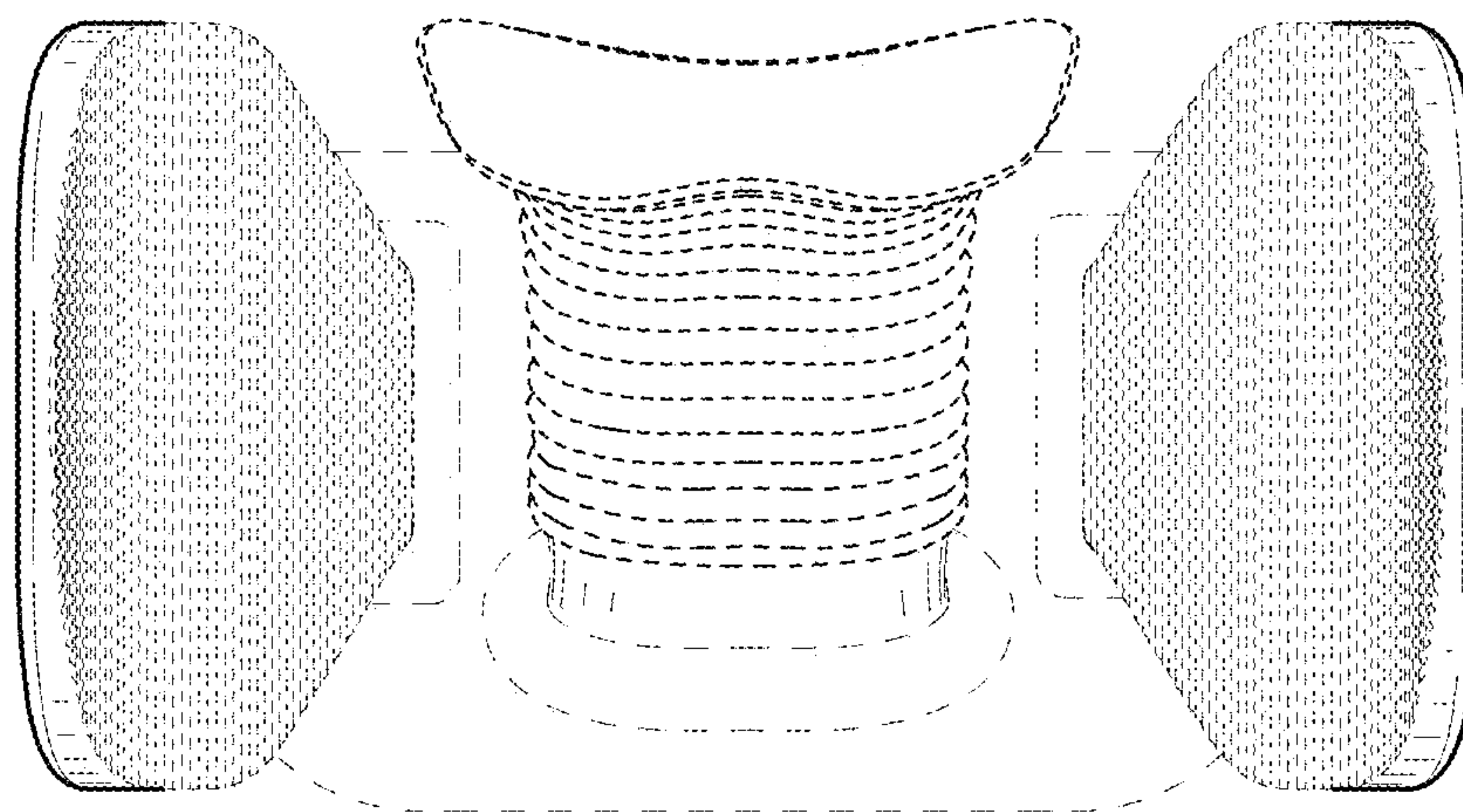


Fig. 7

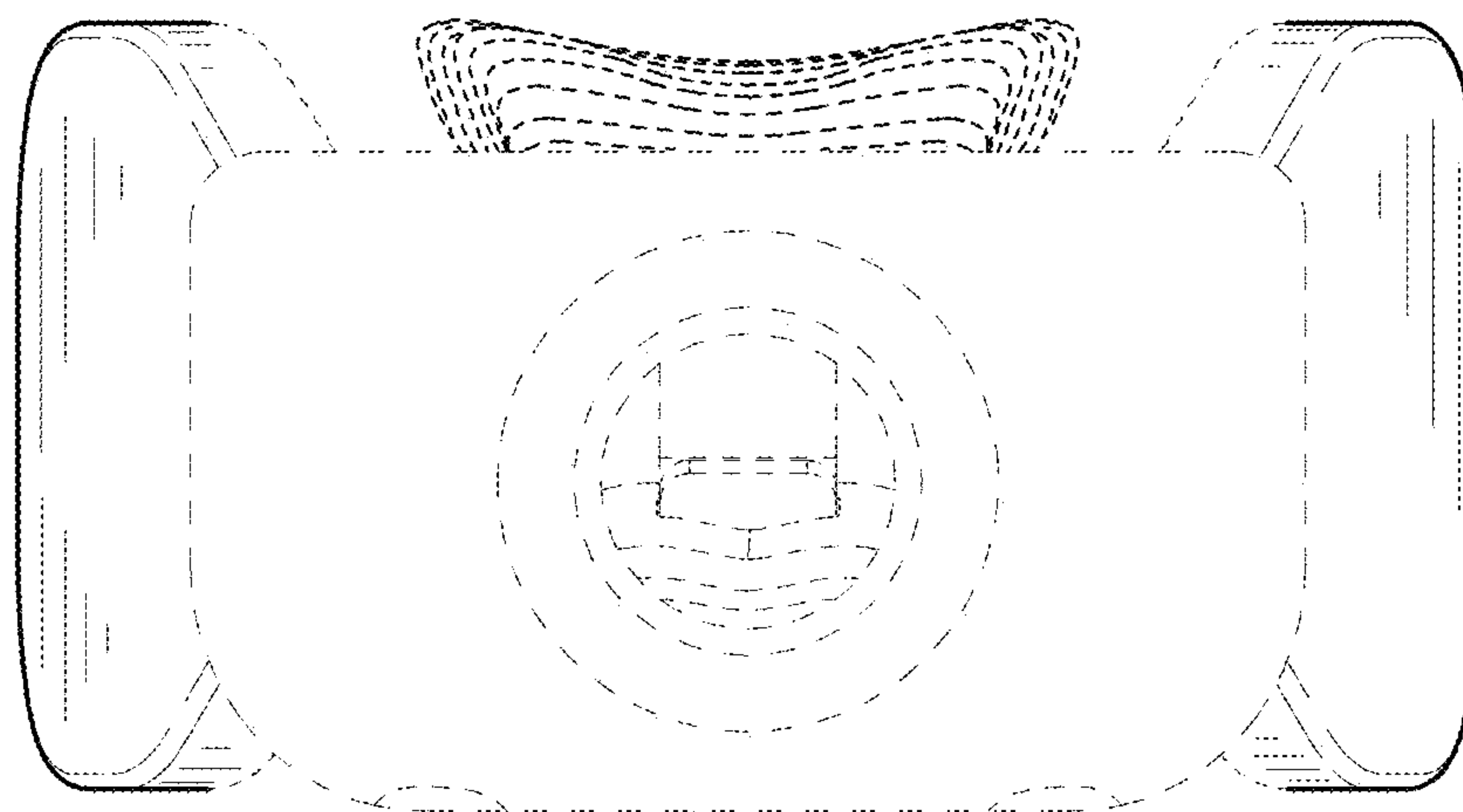


Fig. 8