



US00D909591S

(12) **United States Design Patent** (10) **Patent No.:** **US D909,591 S**
Lai (45) **Date of Patent:** **** Feb. 2, 2021**

(54) **BELLY MASSAGER**
(71) Applicant: **Shenzhen Kizoku Life Technology Co., Ltd.**, Shenzhen (CN)
(72) Inventor: **Yongkang Lai**, Shenzhen (CN)
(73) Assignee: **SHENZHEN KIZOKU LIFE TECHNOLOGY CO., LTD.**, Shenzhen (CN)
(**) Term: **15 Years**
(21) Appl. No.: **29/683,549**
(22) Filed: **Mar. 14, 2019**
(51) **LOC (13) Cl.** **28-03**
(52) **U.S. Cl.**
USPC **D24/200**
(58) **Field of Classification Search**
USPC D24/200, 211, 212, 213, 214, 215
CPC . A61N 1/0452; A61N 1/0456; A61N 1/36014
See application file for complete search history.

D490,530 S * 5/2004 Chen D24/211
D510,140 S * 9/2005 Brown D24/190
D533,668 S * 12/2006 Brown D24/200
D662,213 S * 6/2012 Quisenberry D24/206
D674,099 S * 1/2013 Nichols D24/190

(Continued)

OTHER PUBLICATIONS

Amazon, "Ab Stimulator", Aug. 11, 2020. https://www.amazon.com/Abs-Stimulator-Muscle-Toner-Go/dp/B07QY334X1/ref=cm_cr_ar_p_d_product_top?ie=UTF8. Shown on p. 1. (Year: 2020).*

Primary Examiner — Cynthia Ramirez
Assistant Examiner — Michael A Maharajh

(57) **CLAIM**

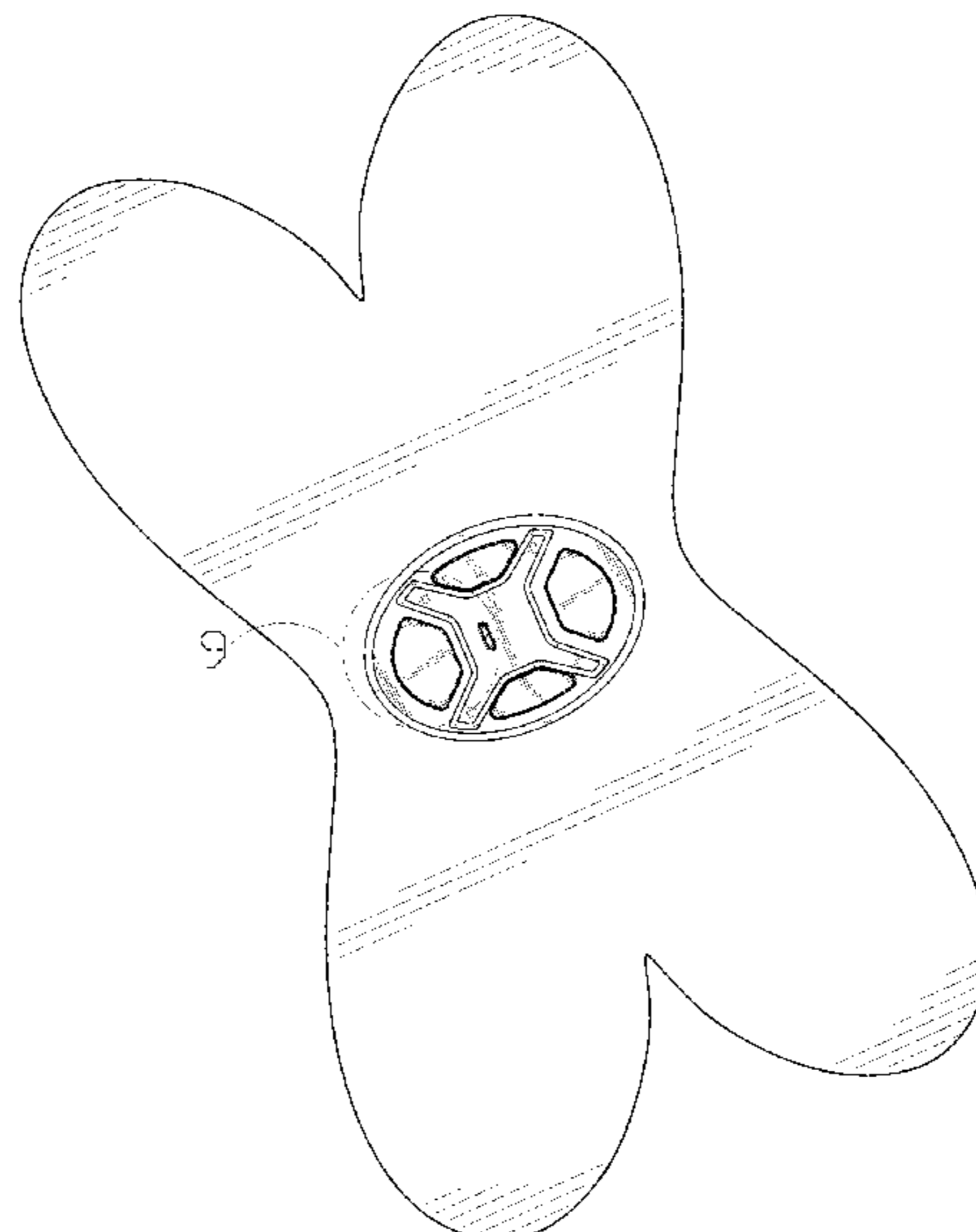
The ornamental design for a belly massager, as shown and described.

DESCRIPTION

FIG. 1 is a perspective view of a belly massager showing my new design;
FIG. 2 is another perspective view thereof;
FIG. 3 is a front elevational view thereof;
FIG. 4 is a rear elevational view thereof;
FIG. 5 is a left side elevational view thereof;
FIG. 6 is a right side elevational view thereof;
FIG. 7 is a top plan view thereof;
FIG. 8 is a bottom plan view thereof;
FIG. 9 is an enlarged view of the encircled portion 9 of FIG. 1;
FIG. 10 is an enlarged view of the encircled portion 10 of FIG. 2; and,
FIG. 11 is an enlarged view of the encircled portion 11 of FIG. 5.
The broken lines in the drawings are for the purpose of illustrating portions of the belly massager that form no part of the claimed design.

1 Claim, 11 Drawing Sheets

(56) **References Cited**
U.S. PATENT DOCUMENTS
3,361,130 A * 1/1968 Rowe A61H 23/0263
601/72
D380,051 S * 6/1997 Davis D24/200
D383,546 S * 9/1997 Amis D24/206
D403,778 S * 1/1999 Davis D24/191
D403,779 S * 1/1999 Davis D24/190
D407,822 S * 4/1999 Davis D24/190
D407,823 S * 4/1999 Davis D24/200
D407,824 S * 4/1999 Davis D24/200
D408,923 S * 4/1999 Davis D24/200
D412,750 S * 8/1999 Davis D24/200
D417,006 S * 11/1999 Davis D24/191
D417,007 S * 11/1999 Davis D24/200
D417,283 S * 11/1999 Davis D24/191
D418,605 S * 1/2000 Davis D24/191
D418,606 S * 1/2000 Davis D24/191
D425,992 S * 5/2000 Davis D24/189



(56)

References Cited

U.S. PATENT DOCUMENTS

D680,655 S * 4/2013 Olson D24/200
 D682,437 S * 5/2013 Olson D24/200
 D682,438 S * 5/2013 Olson D24/200
 D682,439 S * 5/2013 Olson D24/200
 D690,021 S * 9/2013 Olson D24/200
 D690,824 S * 10/2013 Olson D24/200
 D712,052 S * 8/2014 Thomas D24/200
 D713,970 S * 9/2014 Olofsson D24/200
 D757,287 S * 5/2016 Chen D24/215
 D757,288 S * 5/2016 Chen D24/215
 D757,289 S * 5/2016 Chen D24/215
 D762,869 S * 8/2016 Beckman D24/206
 D786,447 S * 5/2017 Bigelow D24/206
 D794,812 S * 8/2017 Matsushita D24/200
 D797,301 S * 9/2017 Chen D24/200
 D797,948 S * 9/2017 Matsushita D24/200
 D810,311 S * 2/2018 Chen D24/200

D821,594 S * 6/2018 Davidson D24/200
 D831,836 S * 10/2018 Campdera Lozano D24/200
 D834,209 S * 11/2018 Tan D24/200
 D834,719 S * 11/2018 Theriot D24/200
 D837,394 S * 1/2019 Cryan D24/200
 D846,133 S * 4/2019 Matsushita D24/200
 D847,358 S * 4/2019 Matsushita D24/200
 D852,904 S * 7/2019 Yang D21/662
 D857,214 S * 8/2019 Matsushita D24/200
 D865,193 S * 10/2019 Matsushita D24/200
 D865,194 S * 10/2019 Matsushita D24/200
 D865,195 S * 10/2019 Matsushita D24/200
 D870,299 S * 12/2019 Lin D24/200
 D875,264 S * 2/2020 Katz D24/200
 D878,608 S * 3/2020 Tapper A61N 5/0613
 D24/189
 D879,979 S * 3/2020 Ostan D24/189
 D898,926 S * 10/2020 Bobey D24/200
 2017/0106189 A1 * 4/2017 Keller A61N 1/0476
 2018/0296831 A1 * 10/2018 Matsushita A61N 1/0452

* cited by examiner

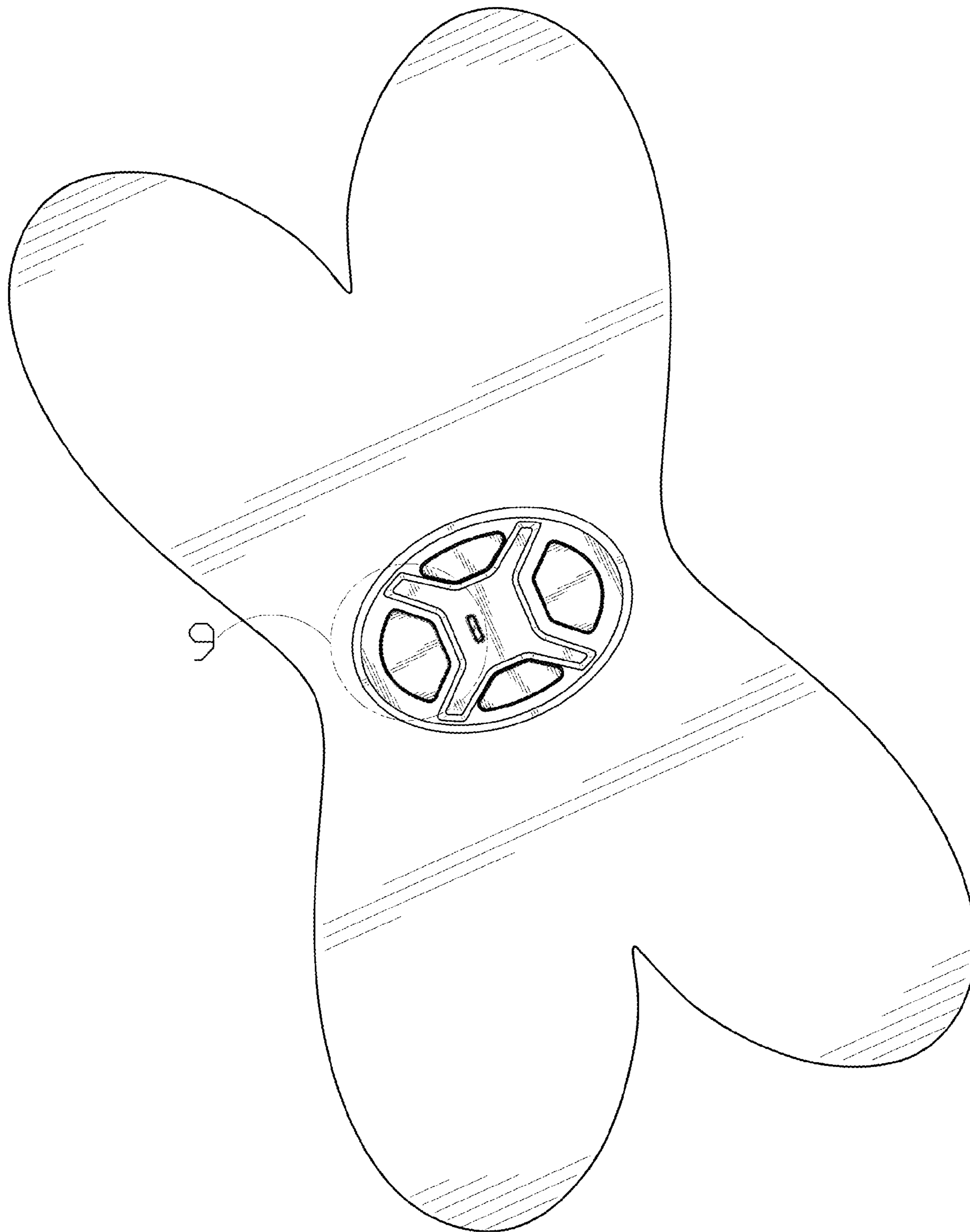


FIG. 1

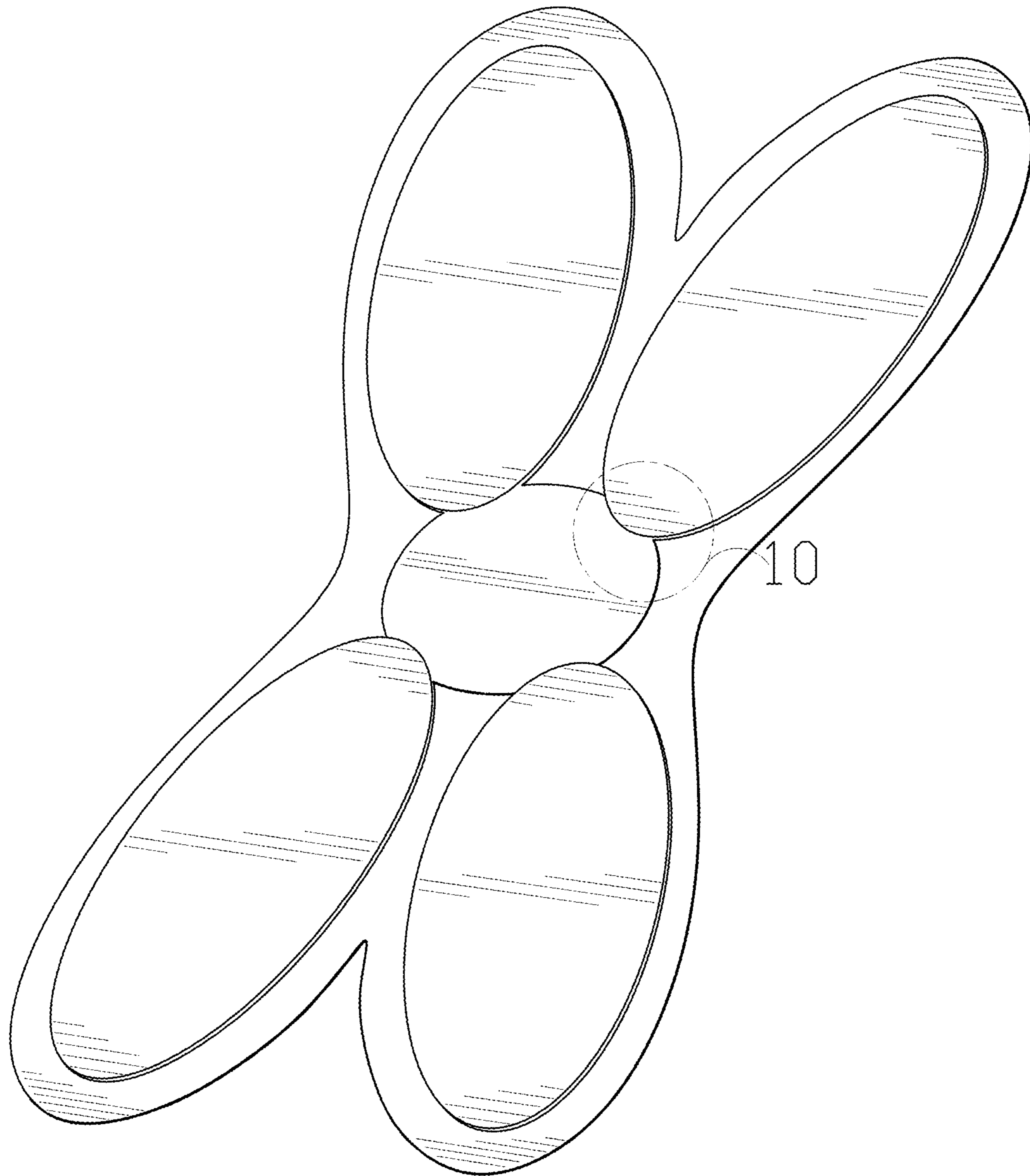


FIG. 2

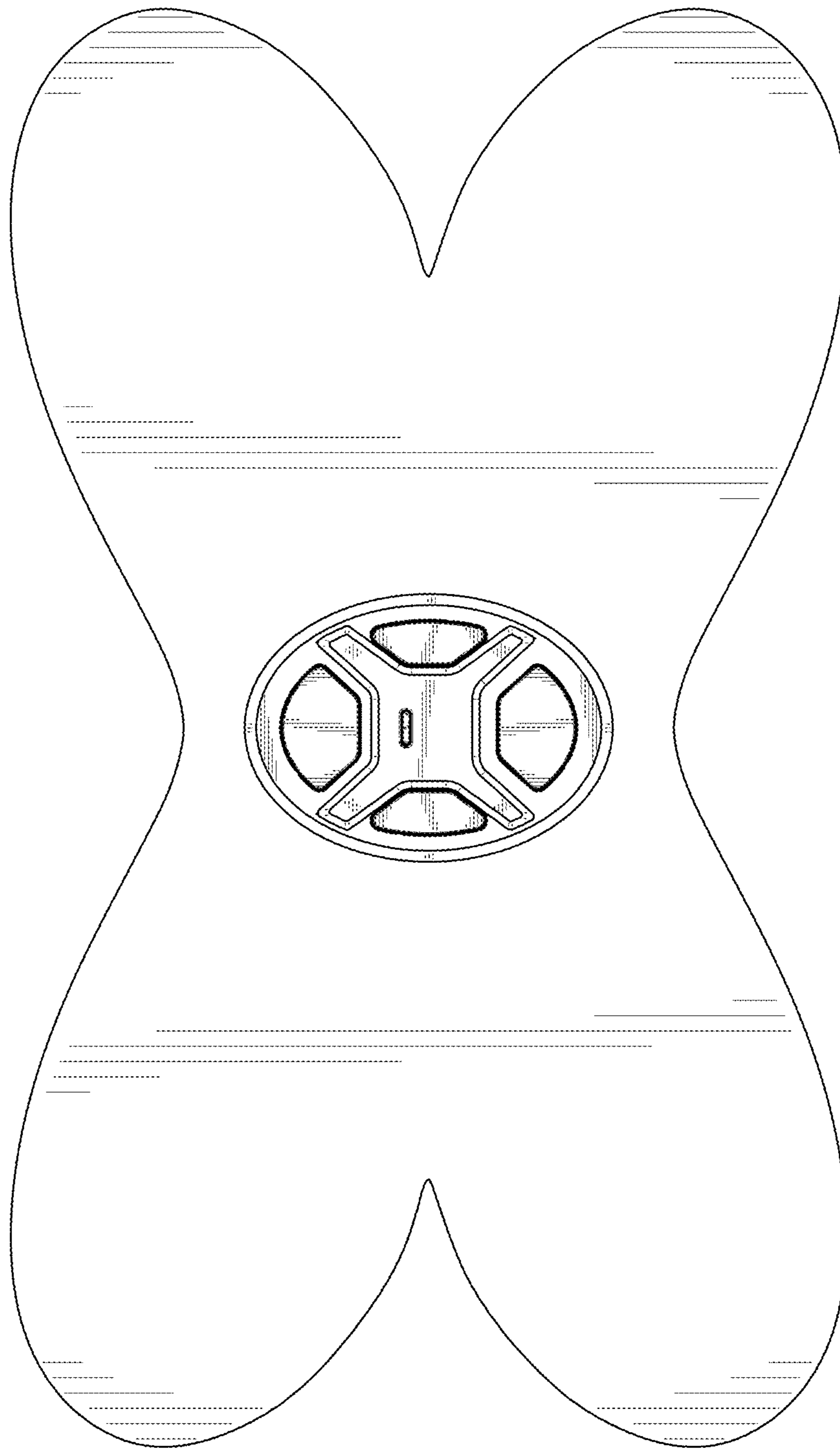


FIG. 3

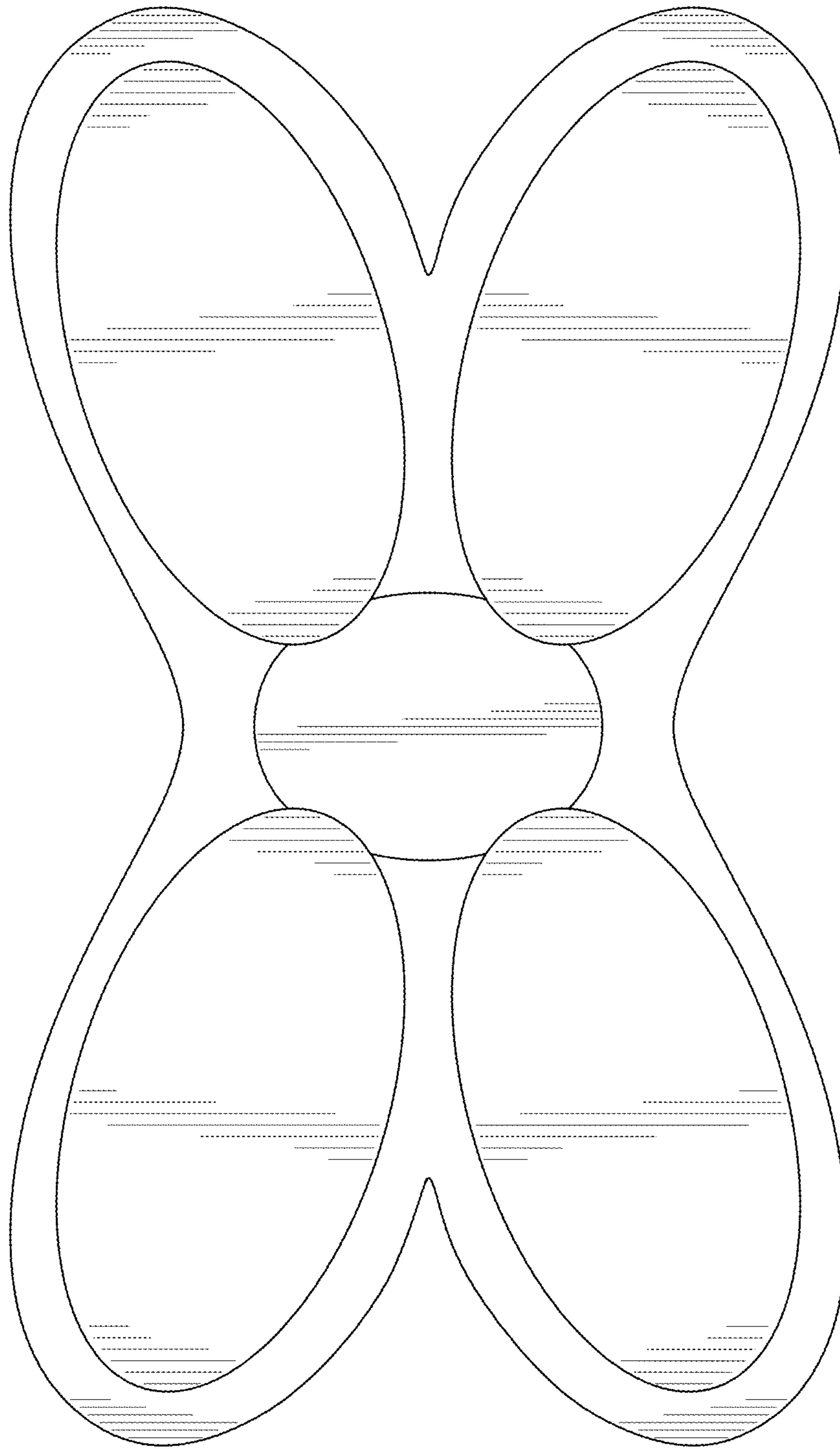


FIG. 4

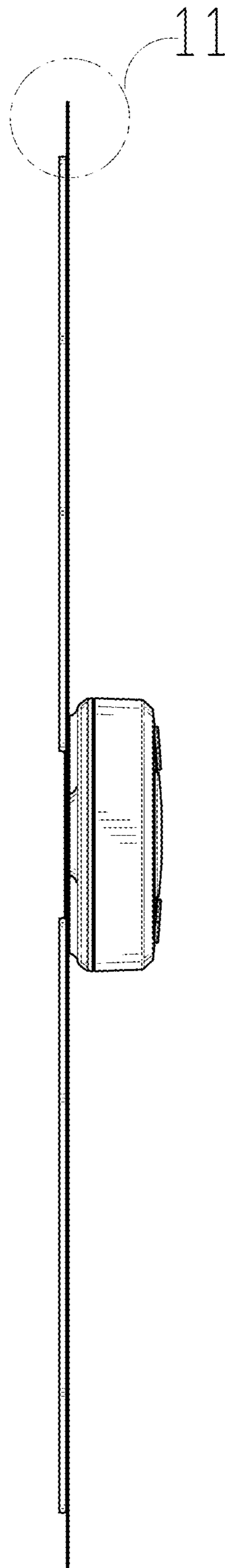


FIG. 5

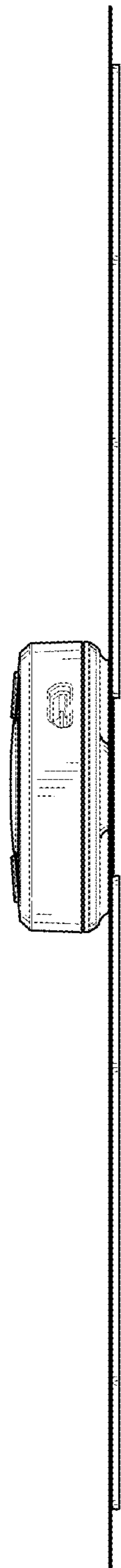


FIG. 6

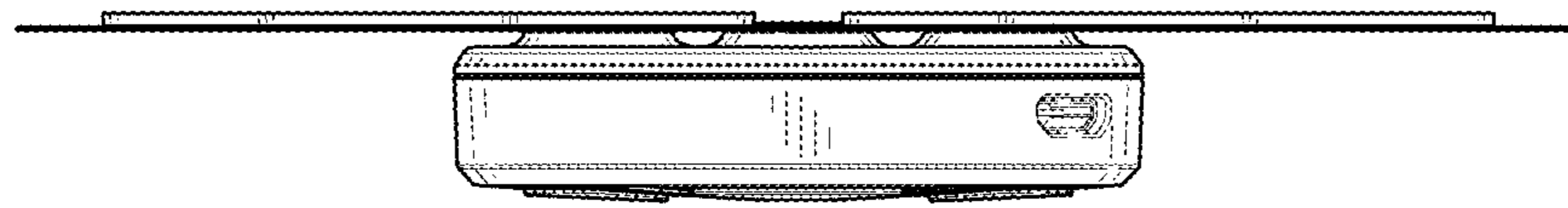


FIG. 7

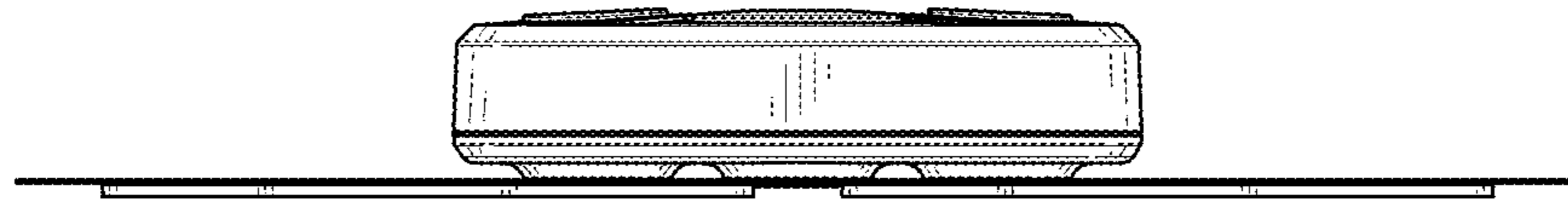


FIG. 8



FIG. 9

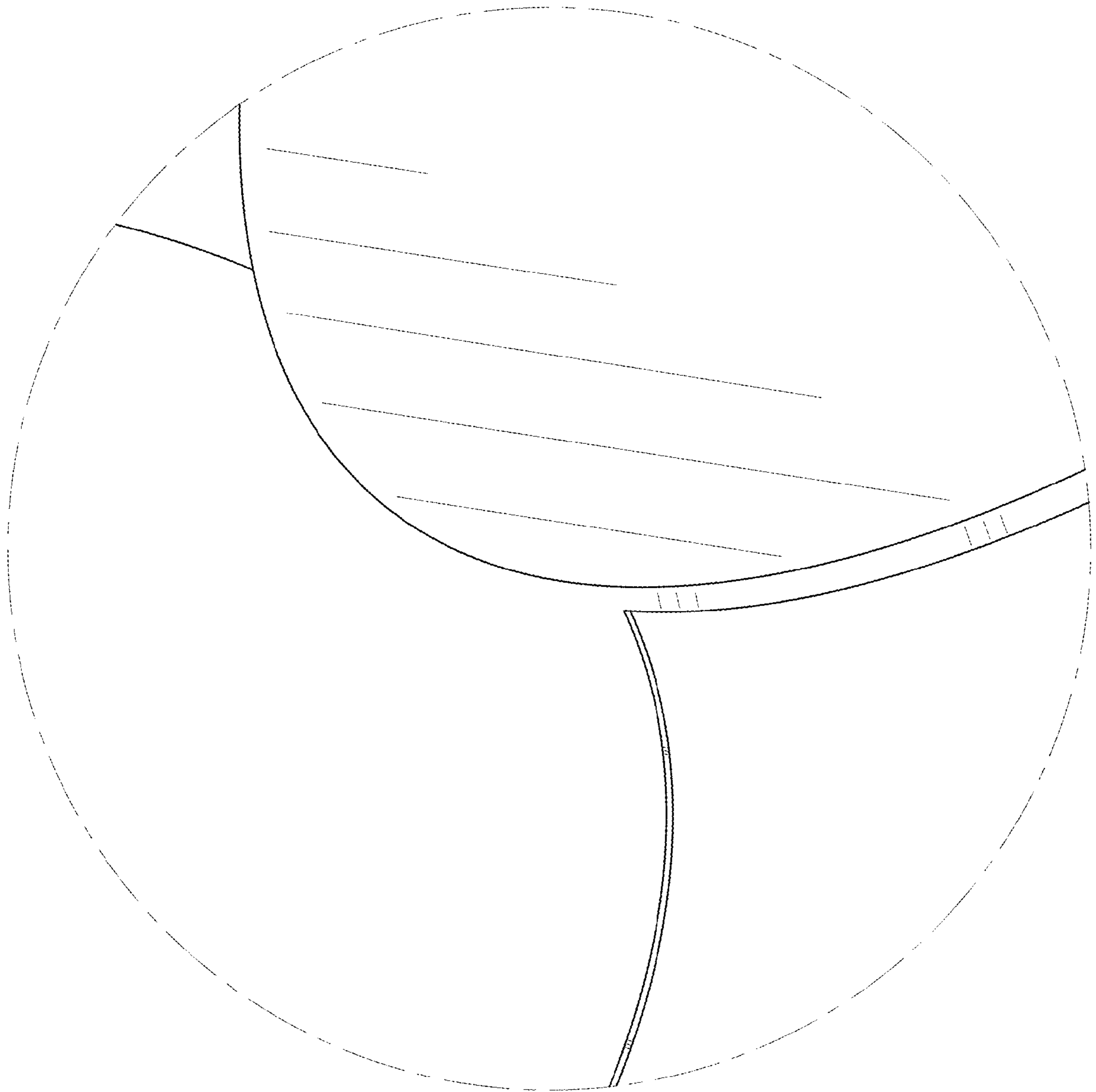


FIG. 10

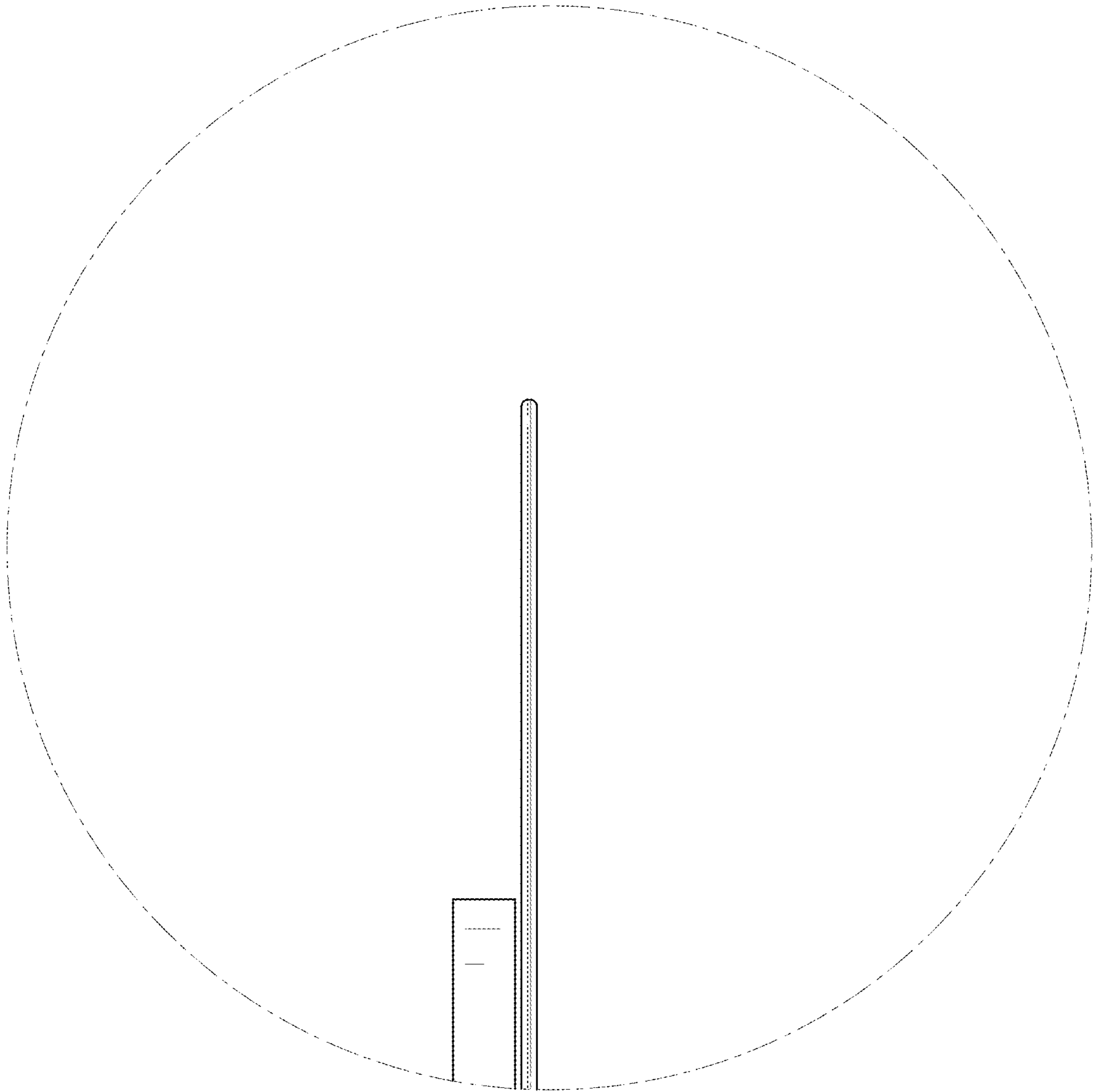


FIG. 11