



US00D909589S

(12) **United States Design Patent** (10) **Patent No.:** **US D909,589 S**  
**Kohno et al.** (45) **Date of Patent:** **\*\* Feb. 2, 2021**

(54) **IMMUNOCHROMATOGRAPHIC TEST DEVICE**

Y10S 977/918; Y10S 436/809; B01D 15/3804; B01D 15/10; B01D 15/3809; G06K 9/00127

(71) Applicant: **SEIKISUI MEDICAL CO., LTD.**,  
Tokyo (JP)

See application file for complete search history.

(72) Inventors: **Keigo Kohno**, Osaka (JP); **Motoki Morita**, Tokyo (JP); **Saori Nozaki**, Tokyo (JP); **Masato Nishikawa**, Tokyo (JP); **Kumiko Yuki**, Tokyo (JP); **Shun Sakai**, Tokyo (JP)

(56) **References Cited**

U.S. PATENT DOCUMENTS

(73) Assignee: **SEKISUI MEDICAL CO., LTD.**,  
Tokyo (JP)

D683,034	S	*	5/2013	Shigeno	.....	D24/186
D688,804	S	*	8/2013	Kim	.....	D24/216
D731,662	S	*	6/2015	Khan	.....	D24/186
D739,031	S	*	9/2015	Golden	.....	D24/186
D774,205	S	*	12/2016	Grace	.....	D24/216
D787,682	S	*	5/2017	Ockham	.....	D24/186
D800,320	S	*	10/2017	Nishikawa	.....	D24/186
D822,214	S	*	7/2018	Iles	.....	D24/186
D851,778	S	*	6/2019	Stamm	.....	D24/216
D857,903	S	*	8/2019	Esfandiari	.....	D24/185
D888,267	S	*	6/2020	Salomon	.....	D24/216

(Continued)

(\*\*) Term: **15 Years**

*Primary Examiner* — Samantha Q Lawrence

(21) Appl. No.: **35/507,908**

(22) Filed: **Apr. 8, 2019**

(74) *Attorney, Agent, or Firm* — Andrew F. Young, Esq.;  
Nolte Lackenbach Siegel

(80) **Hague Agreement Data**

Int. Filing Date: **Apr. 8, 2019**

Int. Reg. No.: **DM/204209**

Int. Reg. Date: **Apr. 8, 2019**

Int. Reg. Pub. Date: **Nov. 29, 2019**

(57) **CLAIM**

The ornamental design for an immunochromatographic test device, as shown and described.

(30) **Foreign Application Priority Data**

Oct. 10, 2018 (JP) ..... 2018-022253

(51) **LOC (13) Cl.** ..... **24-02**

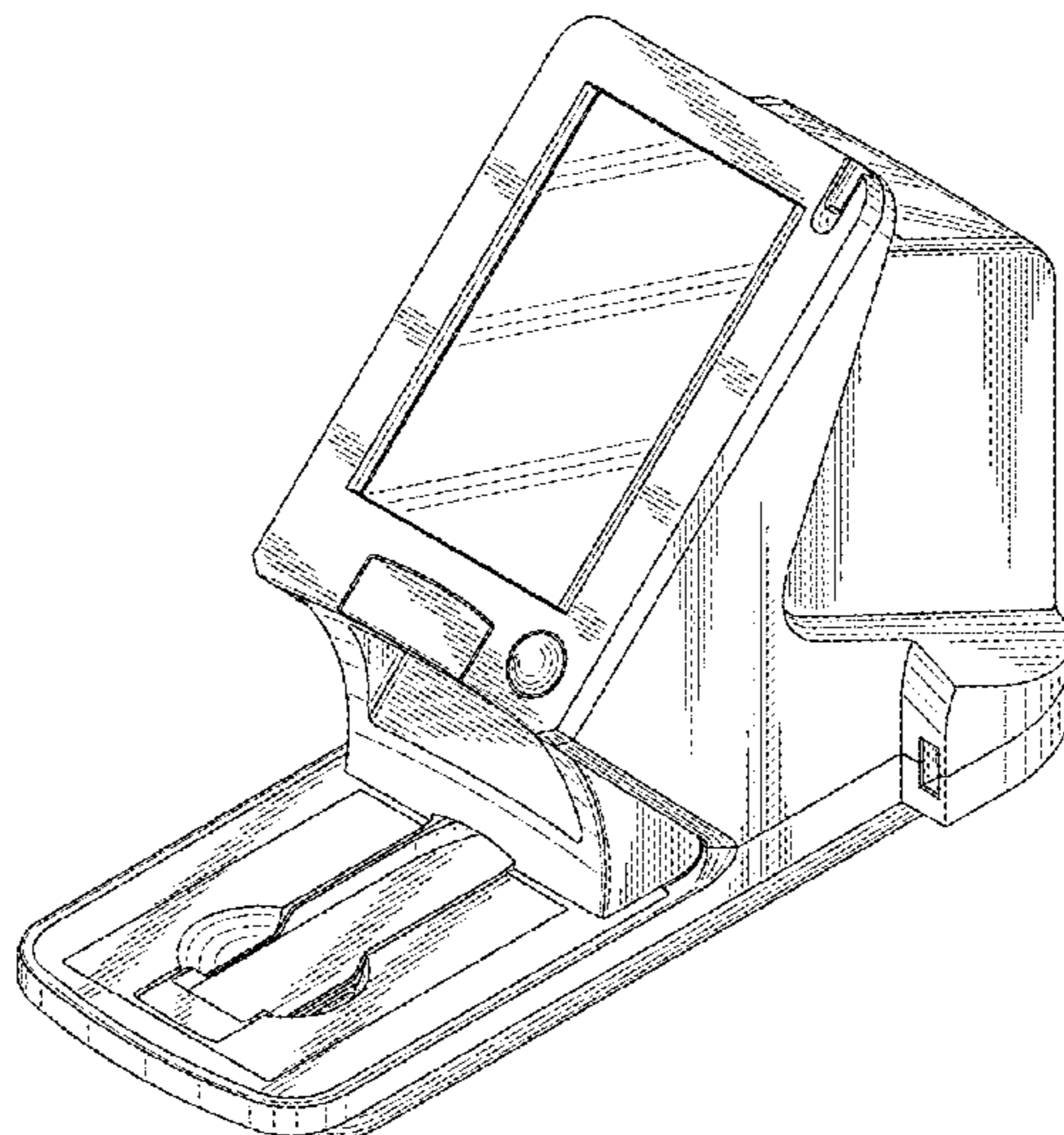
(52) **U.S. Cl.**  
USPC ..... **D24/186**

(58) **Field of Classification Search**  
USPC ..... D24/186, 107, 108, 169, 216, 223, 224,  
D24/225, 229, 230, 231, 232; D10/81  
CPC ..... G01N 33/558; G01N 33/5306; G01N  
33/54313; G01N 33/54386; G01N  
33/544; G01N 33/56944; Y10S 435/805;  
Y10S 435/81; Y10S 435/97; Y10S  
436/805; Y10S 436/81; Y10S 436/806;

**DESCRIPTION**

1. Immunochromatographic test device  
Figure 1.1 is a perspective view of a immunochromatographic test device;  
Figure 1.2 is a rear perspective view thereof;  
Figure 1.3 is a front view thereof;  
Figure 1.4 is a back view thereof;  
Figure 1.5 is a top view thereof;  
Figure 1.6 is a bottom view thereof;  
Figure 1.7 is a right view thereof; and  
Figure 1.8 is a left view thereof.  
The shadings indicated by thin lines are intended only to represent the three dimensional shape of the surfaces of the design.

**1 Claim, 8 Drawing Sheets**



(56)

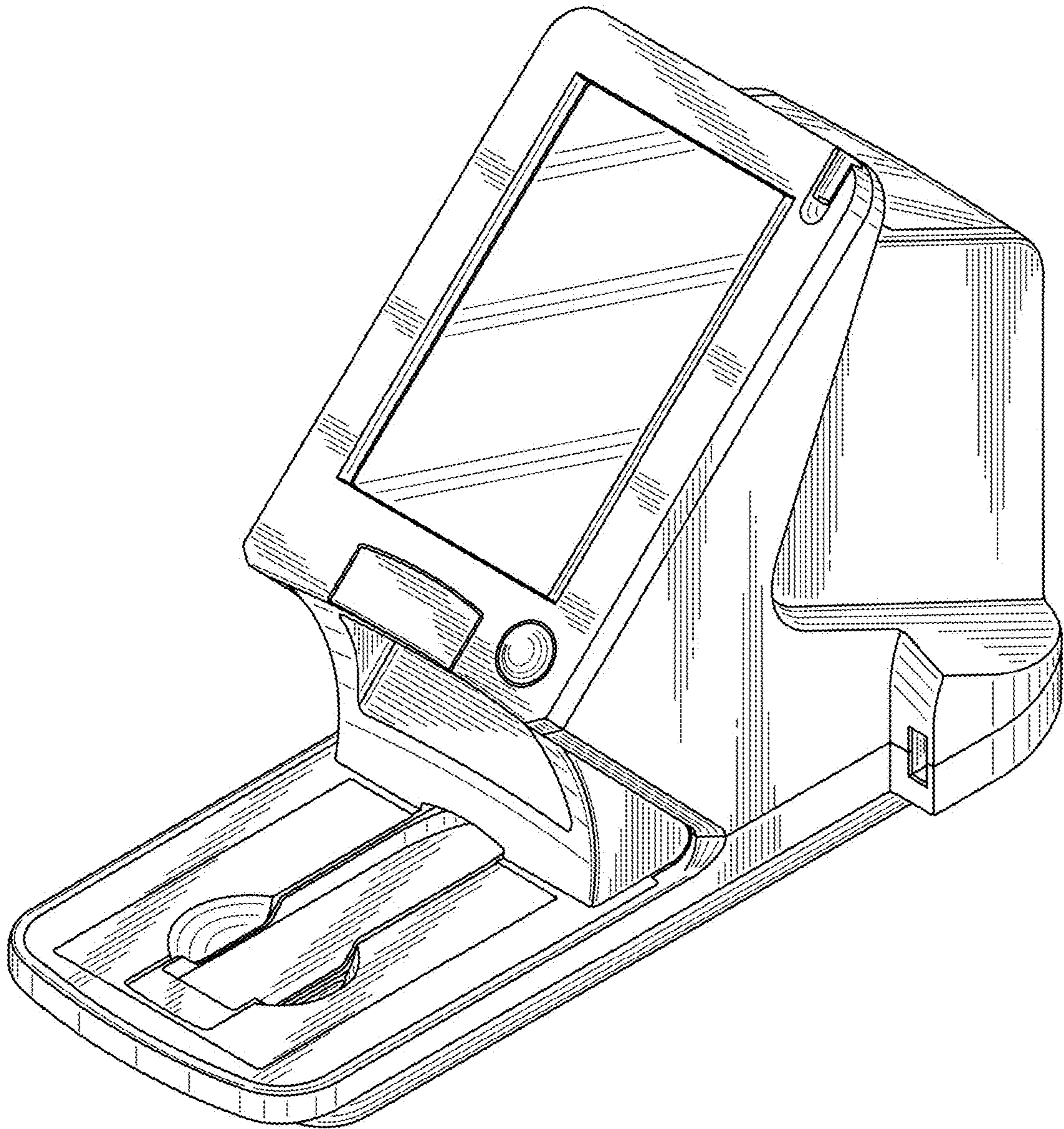
**References Cited**

U.S. PATENT DOCUMENTS

D888,985 S \* 6/2020 Hsieh ..... D24/232  
D895,841 S \* 9/2020 Mathers ..... D24/232

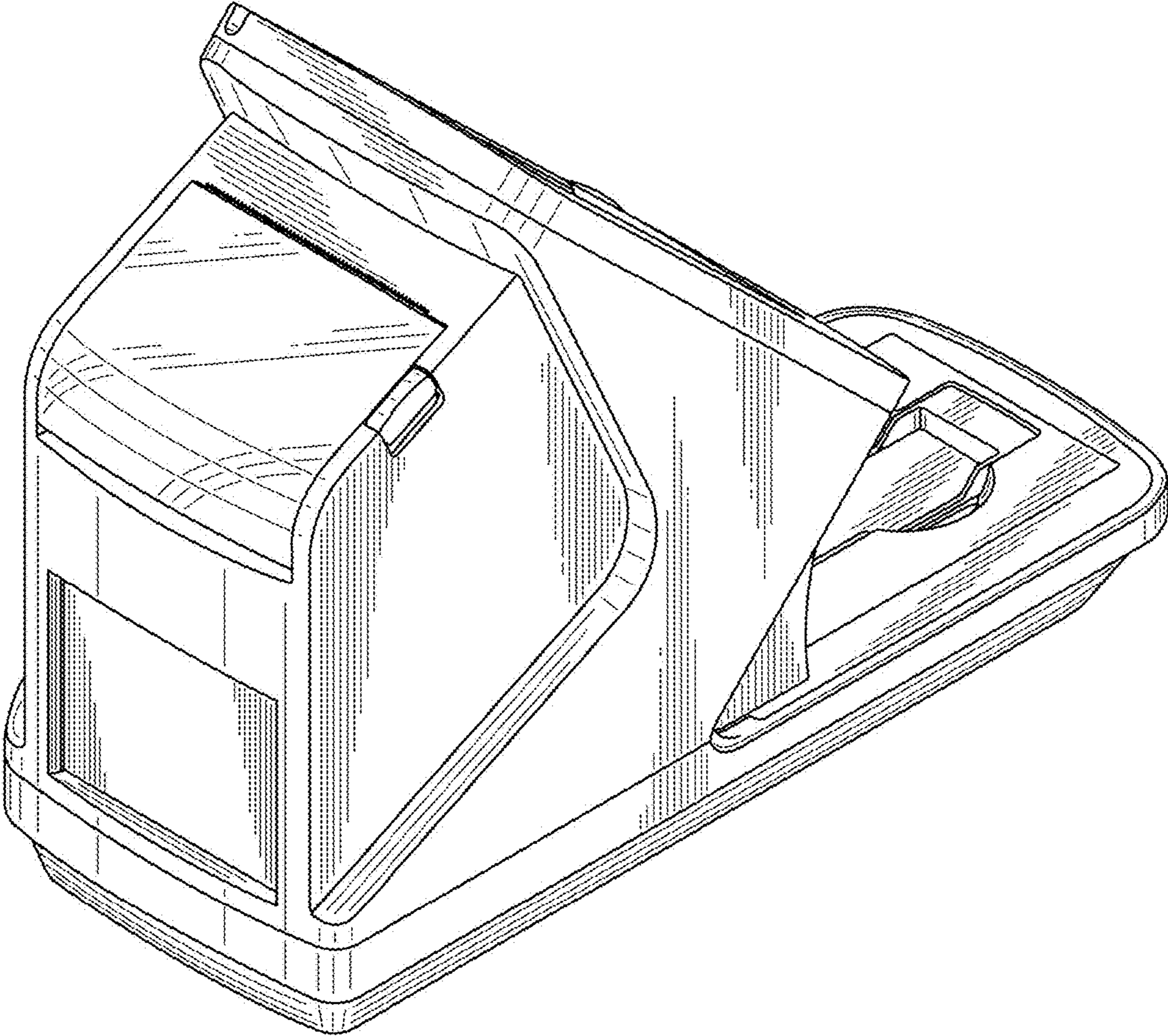
\* cited by examiner

1.1

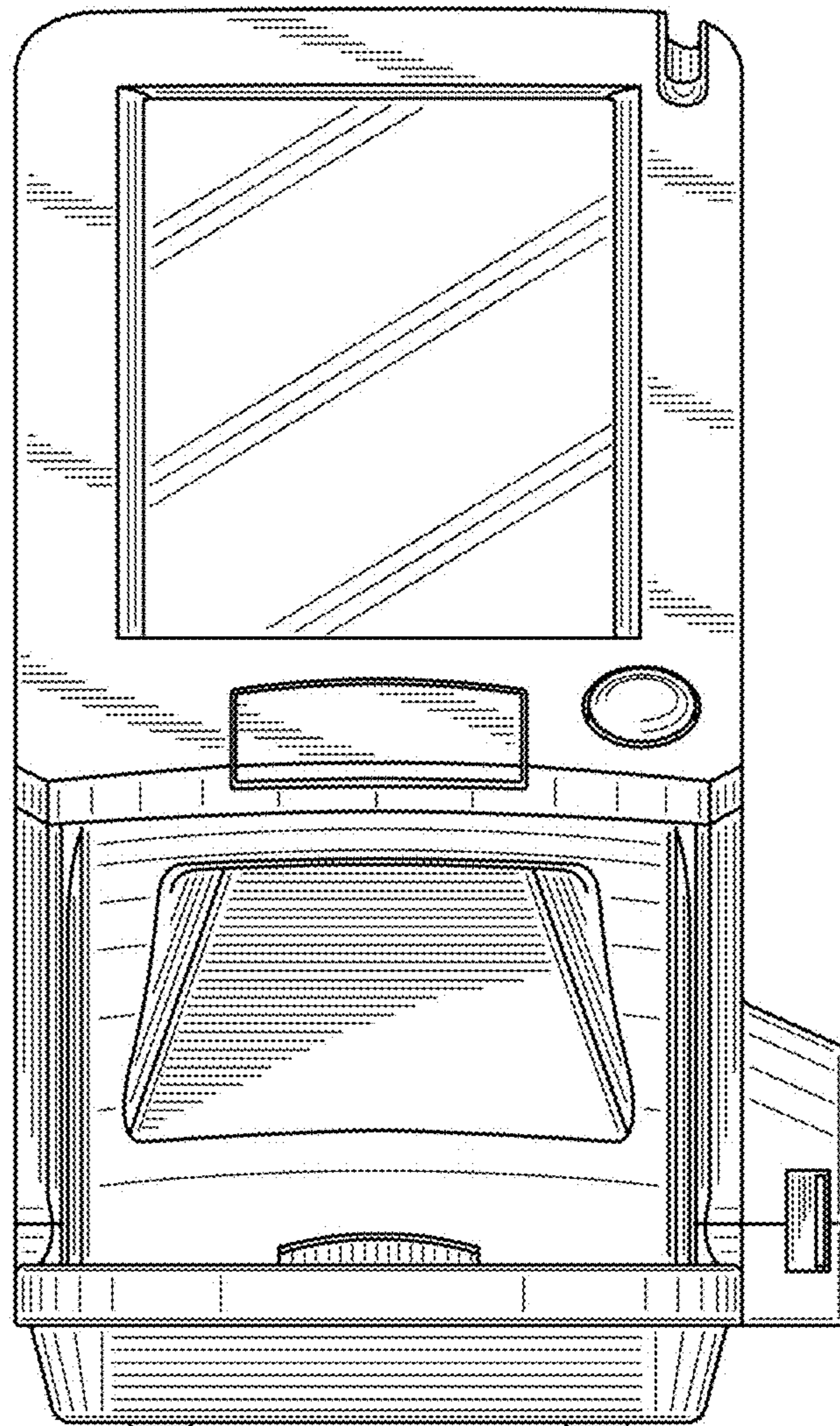




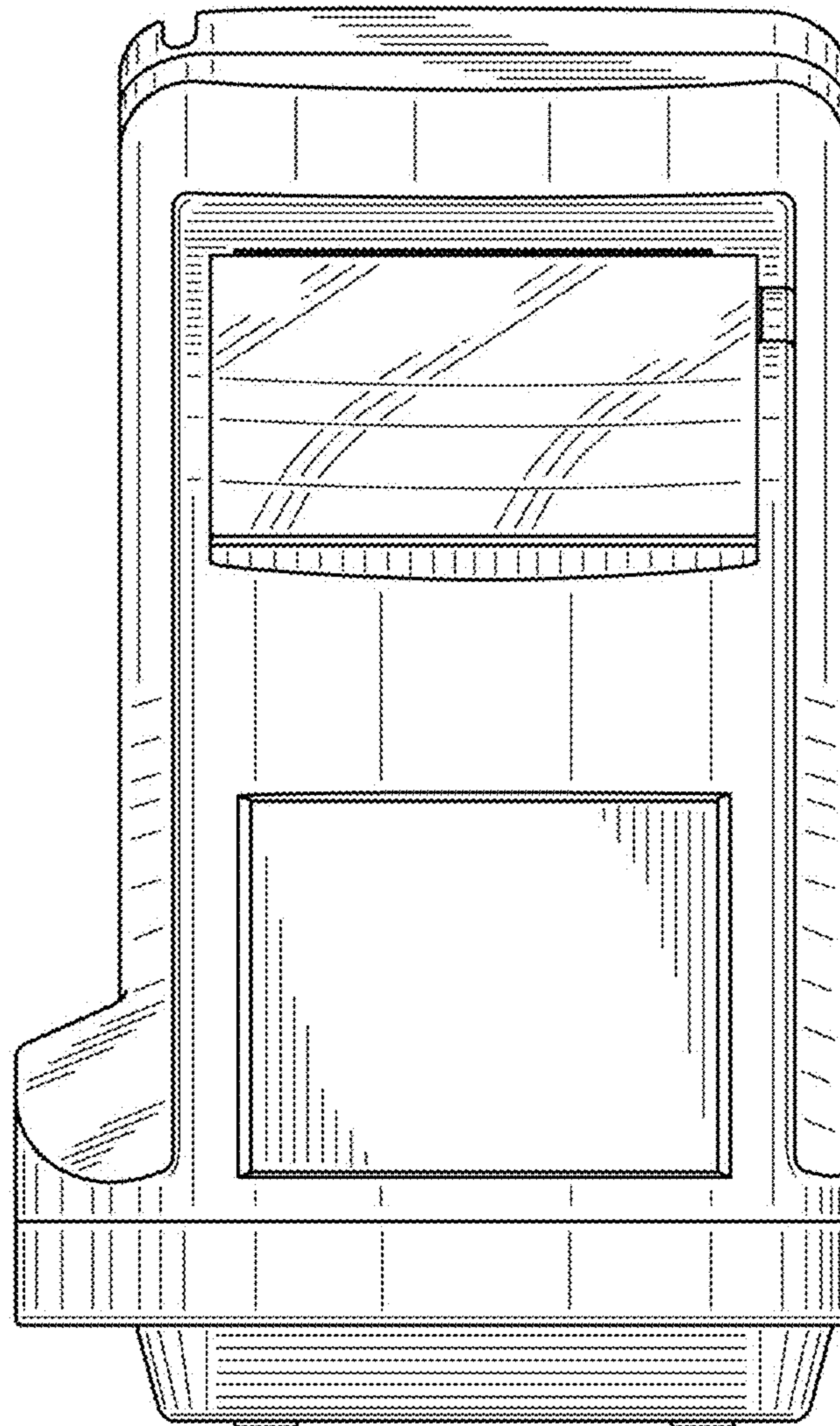
1.2



1.3

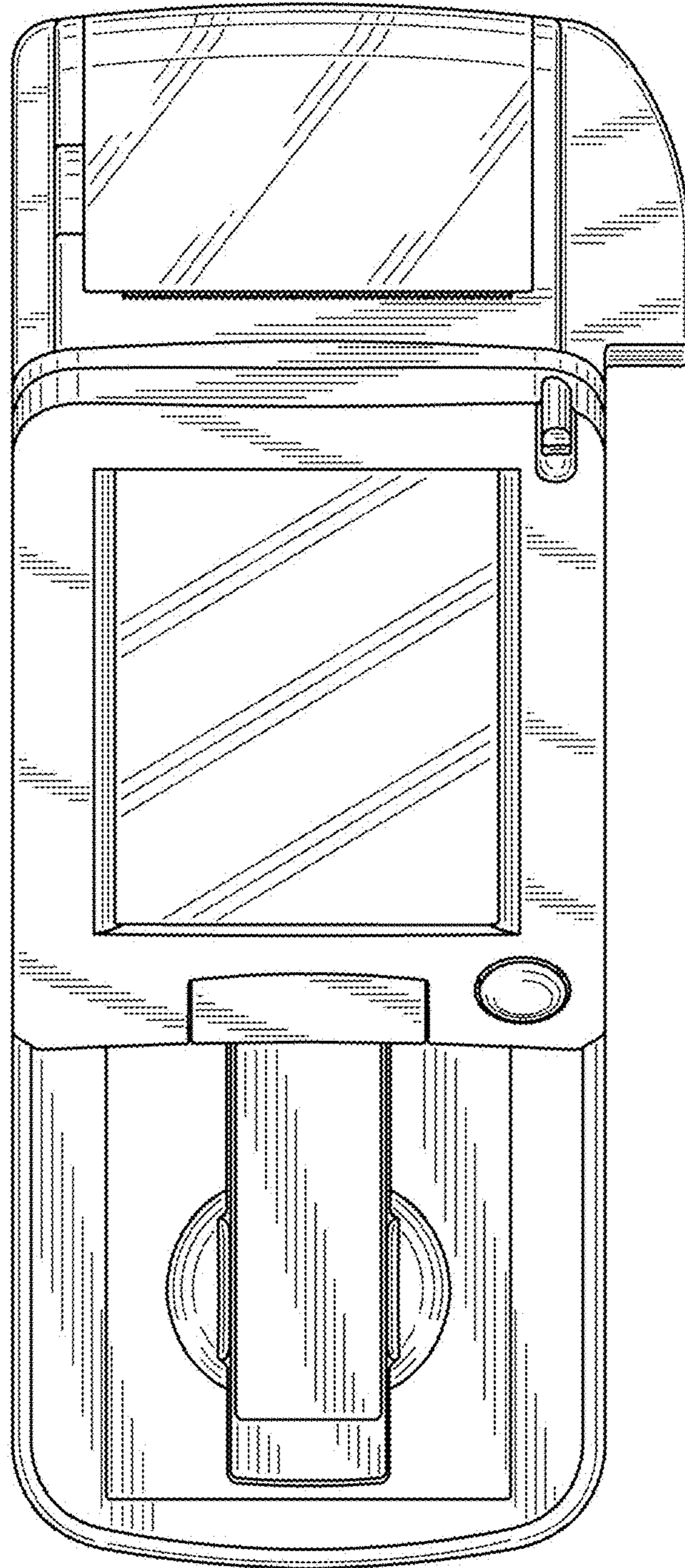


1.4

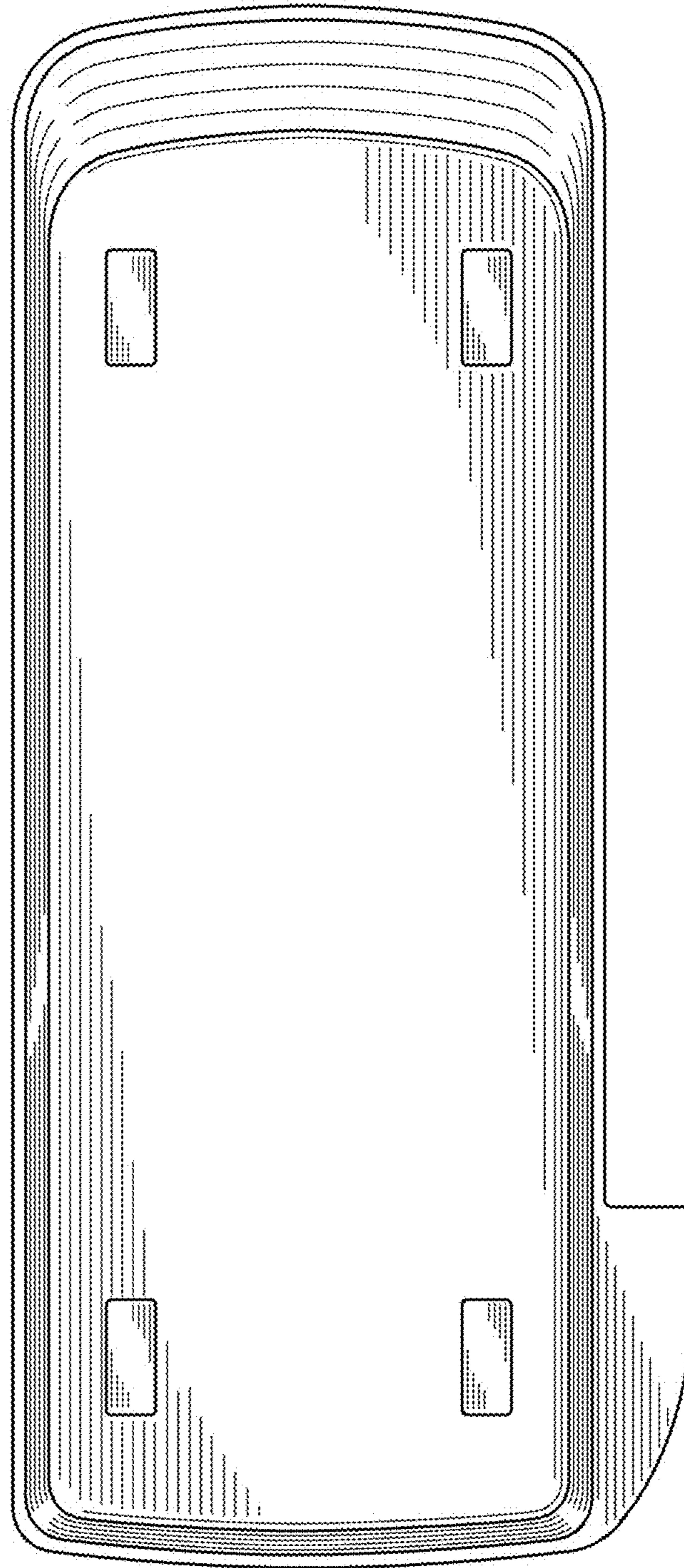




1.5

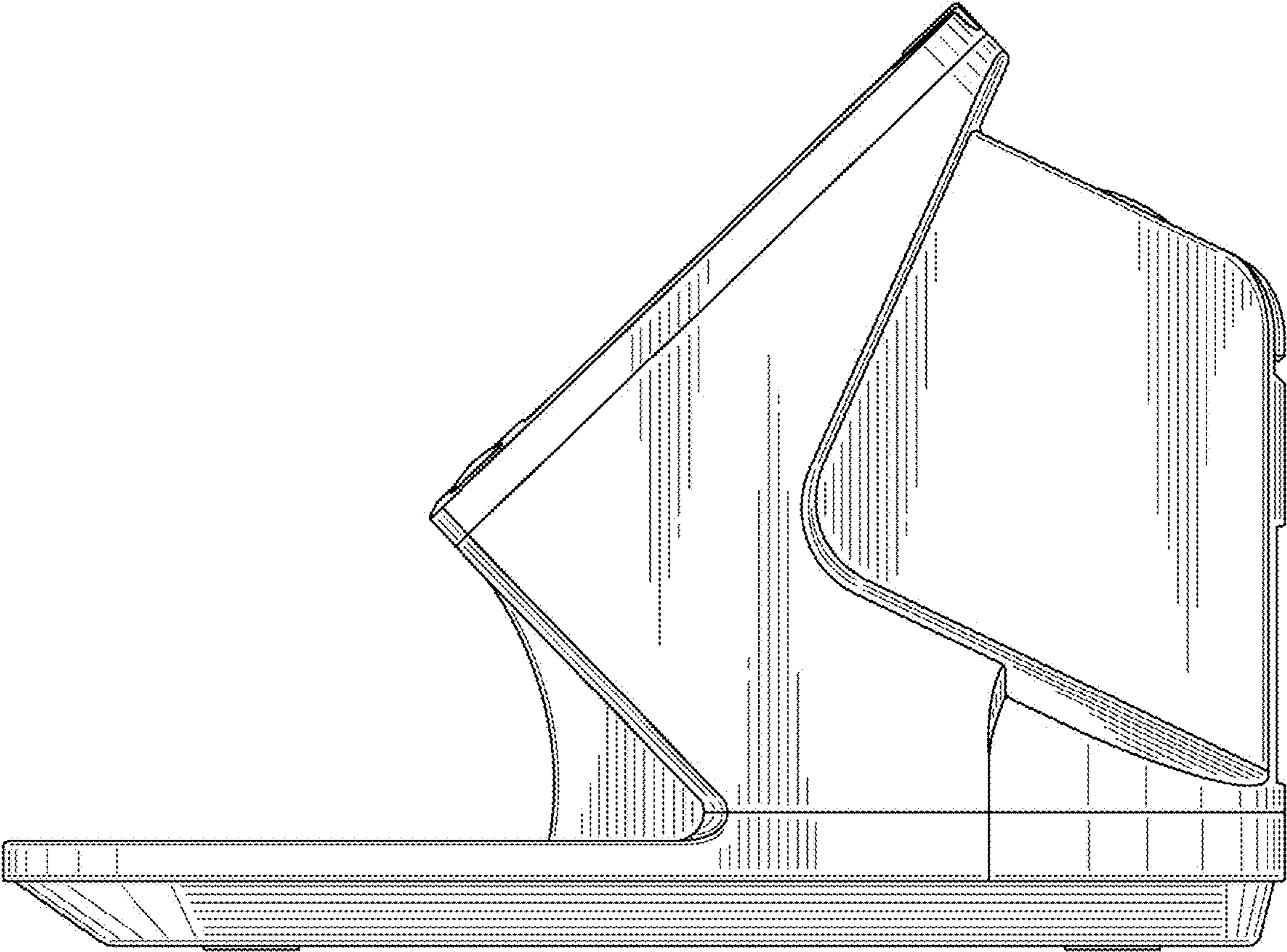


1.6





1.7



1.8

