



US00D909587S

(12) **United States Design Patent**
Barcohana

(10) **Patent No.:** **US D909,587 S**

(45) **Date of Patent:** **** Feb. 2, 2021**

(54) **CUSHION FOR STRETCHING A PERSON'S SPINE**

(71) Applicant: **Babak Barcohana**, Van Nuys, CA (US)

(72) Inventor: **Babak Barcohana**, Van Nuys, CA (US)

(**) Term: **15 Years**

(21) Appl. No.: **29/631,743**

(22) Filed: **Jan. 2, 2018**

(51) **LOC (13) Cl.** **24-02**

(52) **U.S. Cl.**

USPC **D24/184**; D24/171

(58) **Field of Classification Search**

USPC D24/183, 184, 200, 211-213, 215;
D6/392, 596, 601

CPC A61B 34/71; A61B 5/103; A61B 90/14;
A61G 13/101; A61G 13/121; A61G
13/123; A47C 7/44; A47C 7/46; A47C
7/50

See application file for complete search history.

(56) **References Cited**

U.S. PATENT DOCUMENTS

| | | | | | |
|-----------|-----|---------|---------|-------|--------------|
| 2,562,769 | A * | 7/1951 | Busse | | A61H 23/0263 |
| | | | | | 601/57 |
| 2,877,472 | A * | 3/1959 | Wagner | | A47G 9/10 |
| | | | | | 5/636 |
| D277,630 | S * | 2/1985 | Olson | | D6/601 |
| D309,189 | S * | 7/1990 | Bowlin | | D24/183 |
| D356,156 | S * | 3/1995 | Boland | | D24/183 |
| D449,482 | S * | 10/2001 | Berke | | D6/601 |
| D531,315 | S * | 10/2006 | Caudra | | D24/183 |
| D563,905 | S * | 3/2008 | Pollard | | D13/167 |

| | | | | | |
|------------|------|--------|----------|-------|-------------|
| D607,567 | S * | 1/2010 | Bukoski | | D24/184 |
| D619,268 | S * | 7/2010 | Sugiyama | | D24/200 |
| D621,512 | S * | 8/2010 | Bukoski | | D24/184 |
| 8,176,586 | B2 * | 5/2012 | Berke | | A47G 9/10 |
| | | | | | 5/636 |
| D819,367 | S * | 6/2018 | Meinhart | | D6/601 |
| 10,022,001 | B1 * | 7/2018 | Hawkins | | A47G 9/1027 |

* cited by examiner

Primary Examiner — Susan Bennett Hattan

Assistant Examiner — Omeed Agilee

(57) **CLAIM**

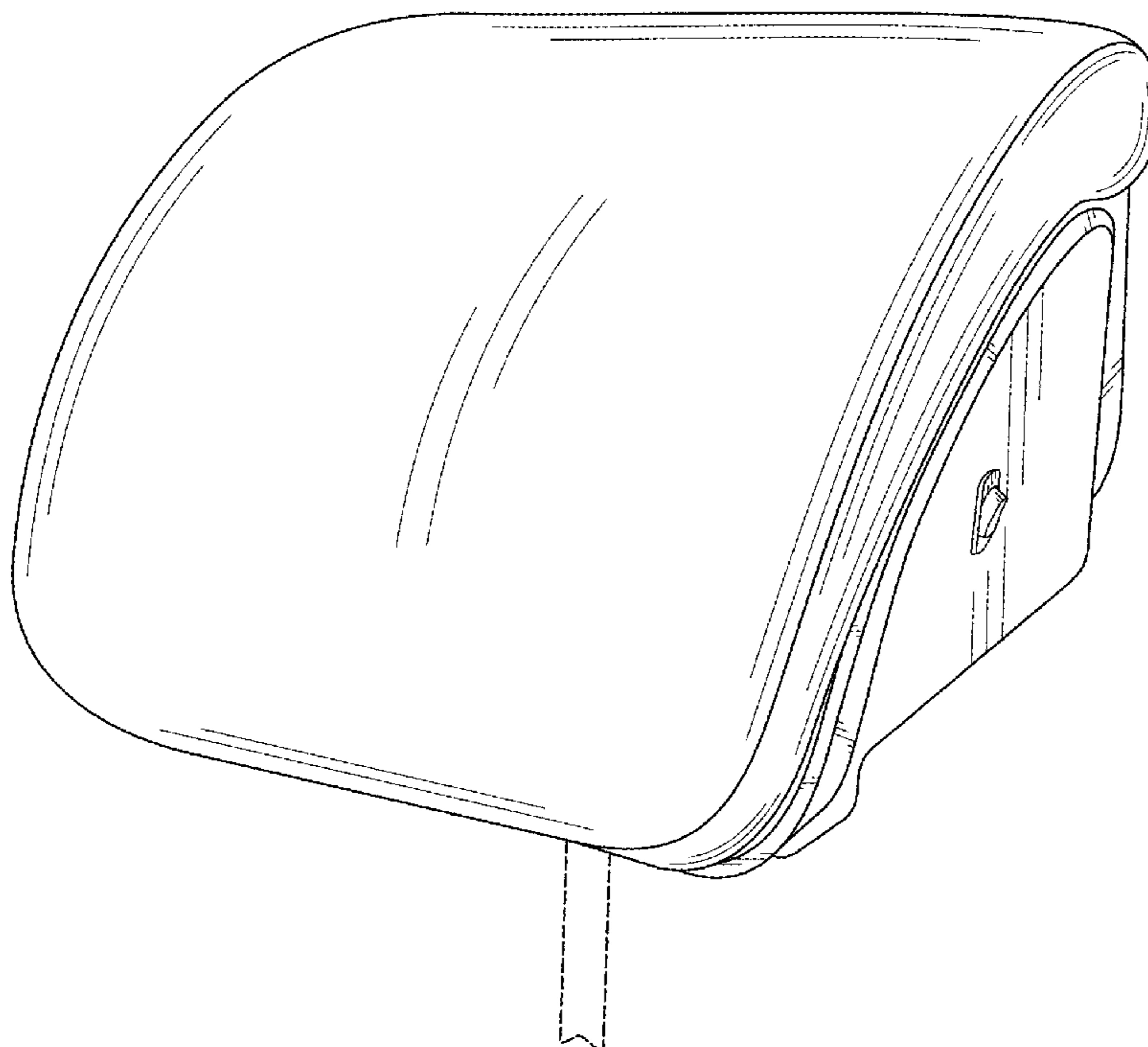
The ornamental design for a cushion for stretching a person's spine, as shown and described.

DESCRIPTION

FIG. 1 is a front perspective view of the cushion for stretching a person's spine, showing my new design; FIG. 2 is a rear perspective view thereof; FIG. 3 is a rear view thereof; FIG. 4 is a front view thereof; FIG. 5 is a right side view thereof; FIG. 6 is a left side view thereof; FIG. 7 is a top view thereof; and, FIG. 8 is a bottom view thereof.

The broken lines in the form of a bar in FIGS. 1-6 depict environmental subject matter that forms no part of the claimed design. All other broken lines in the drawings depict portions of the cushion for stretching a person's spine that form no part of the claimed design.

1 Claim, 7 Drawing Sheets



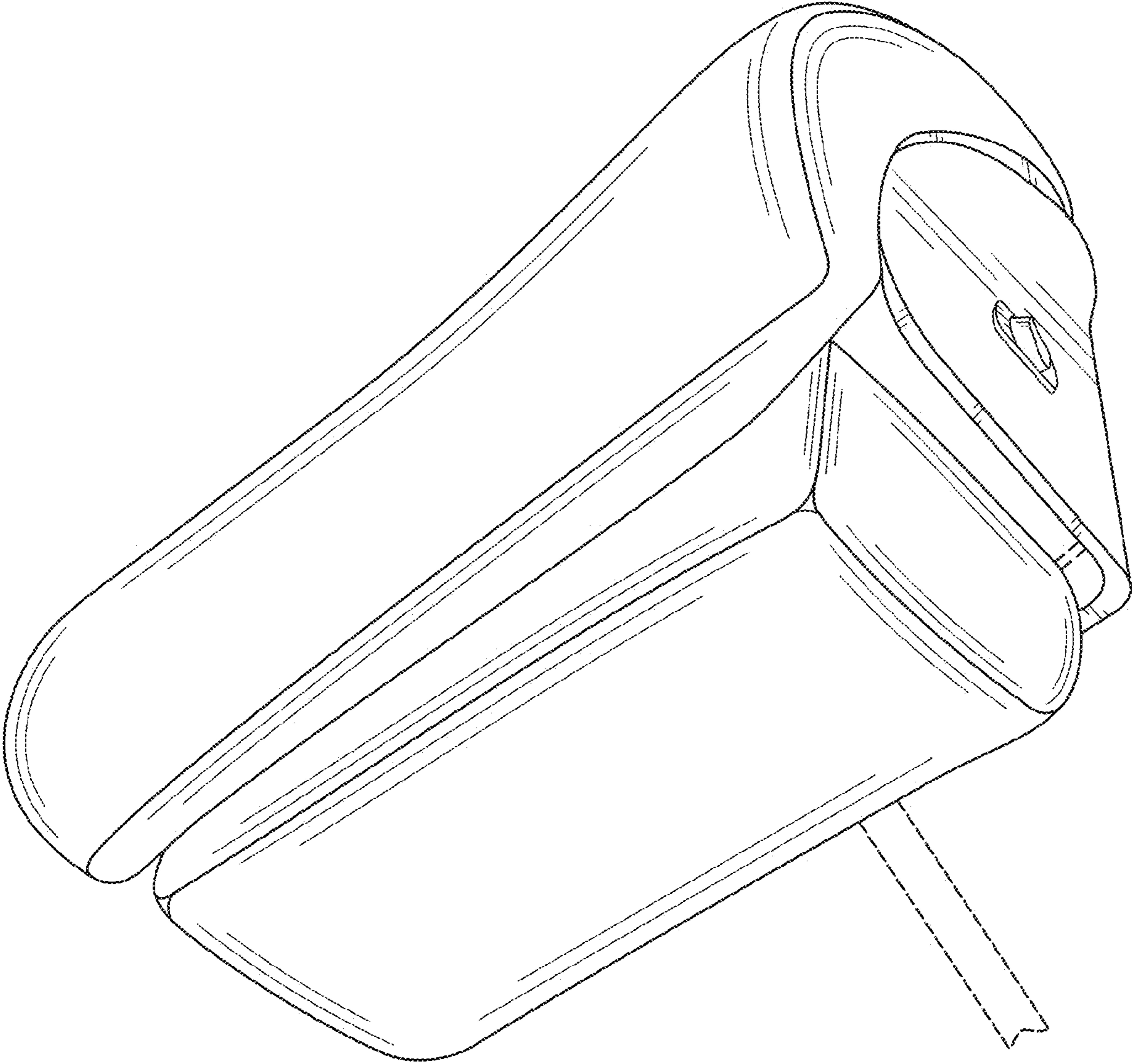


FIG. 1

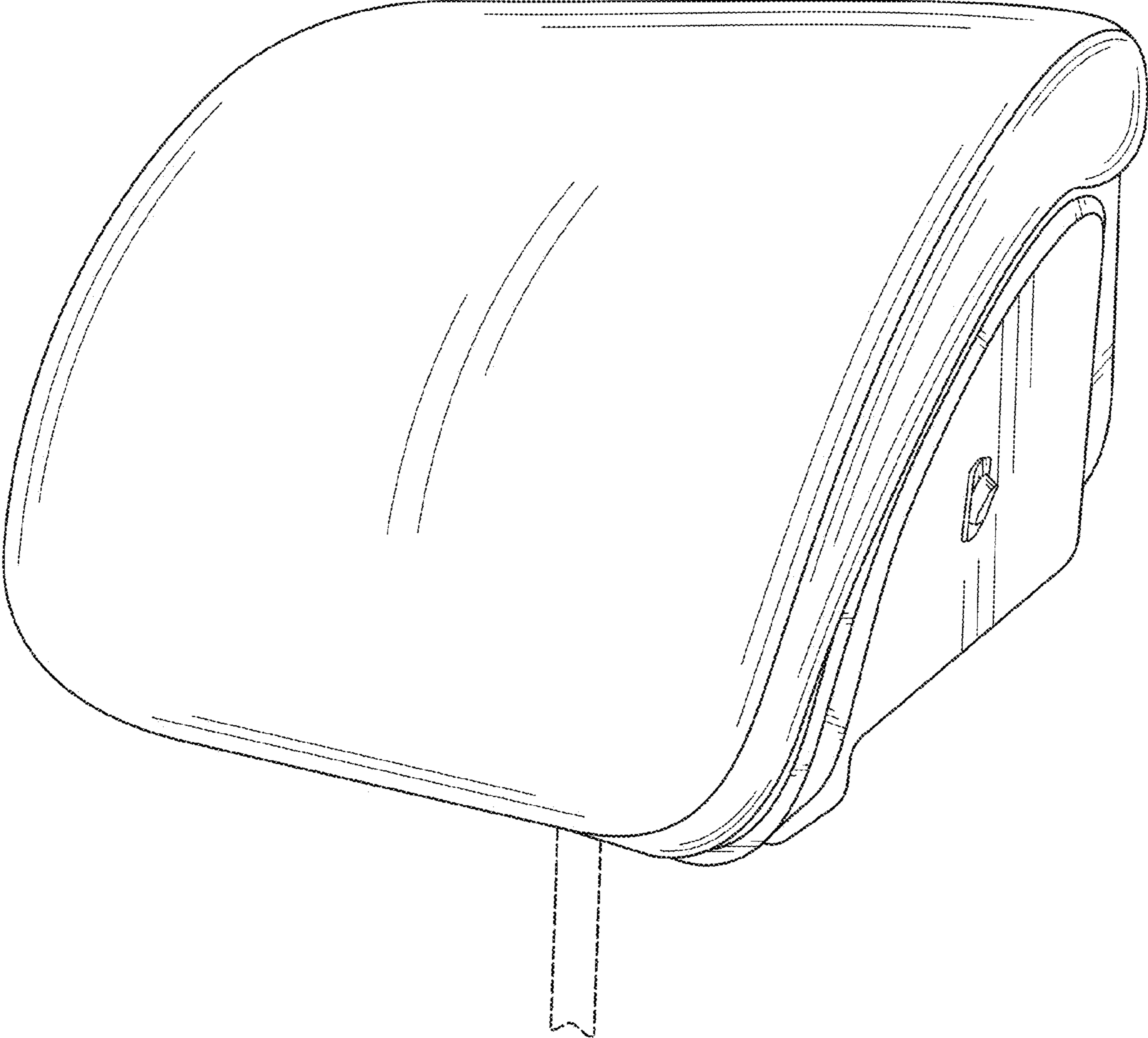


FIG. 2

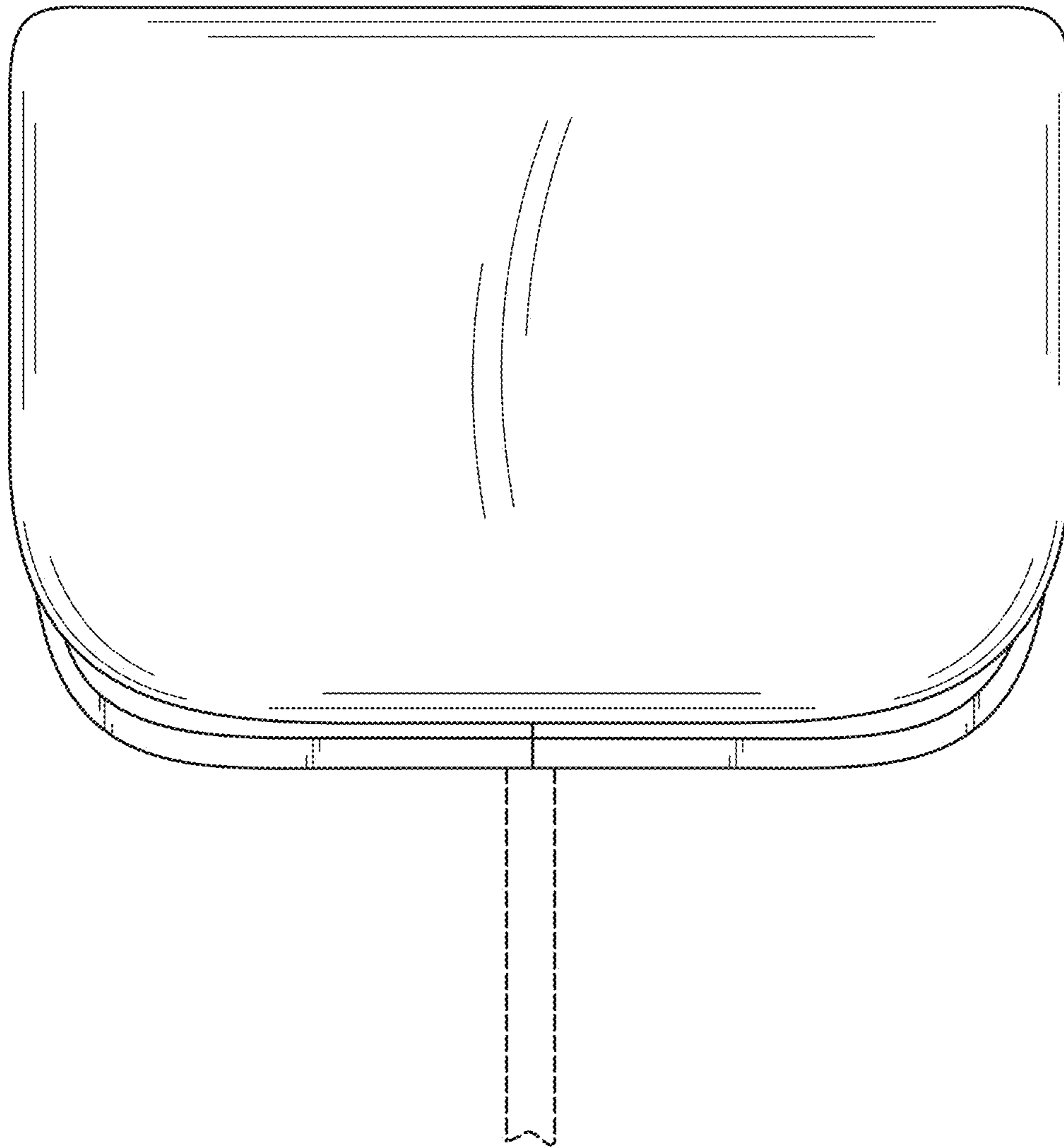


FIG. 3

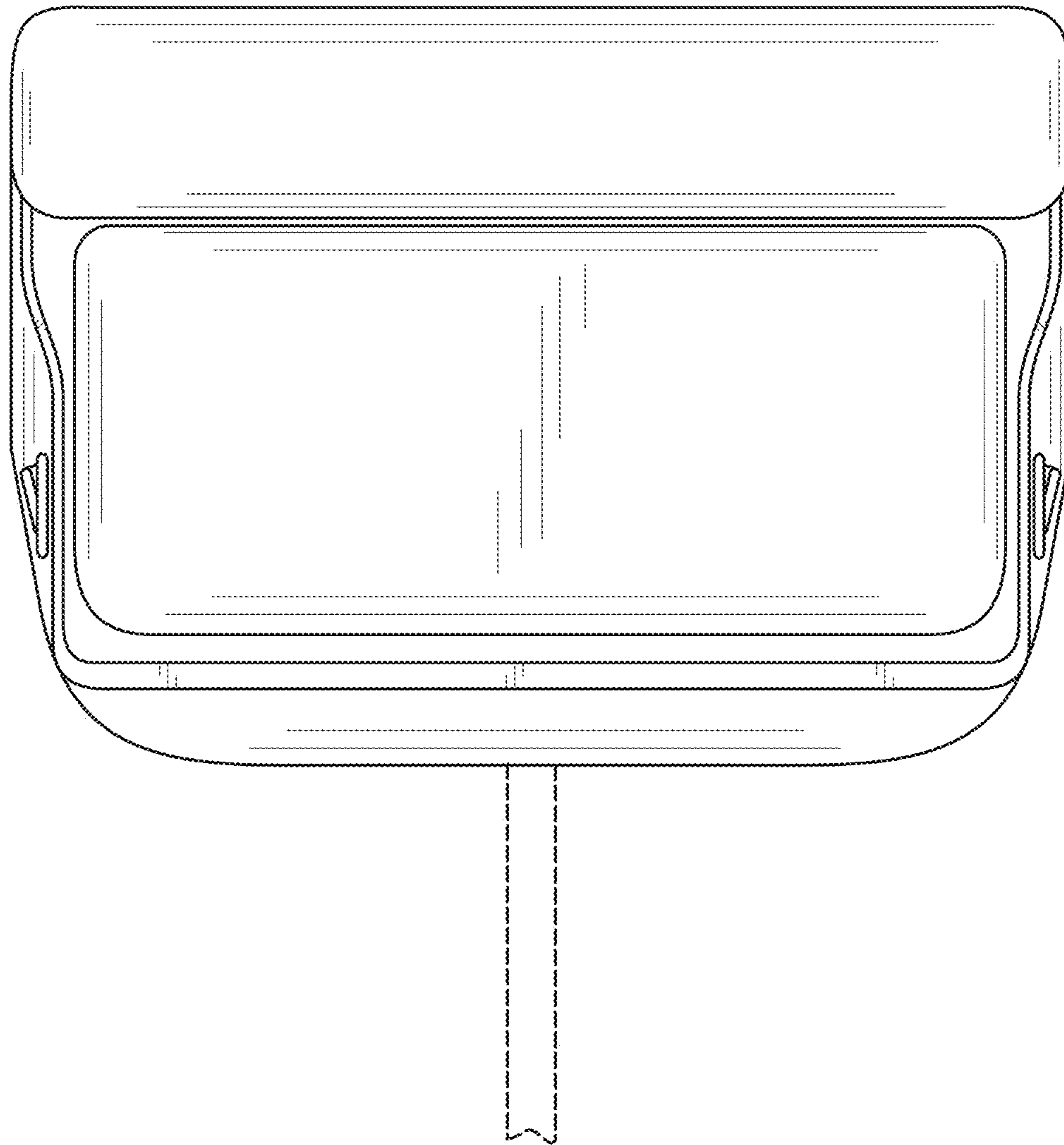


FIG. 4

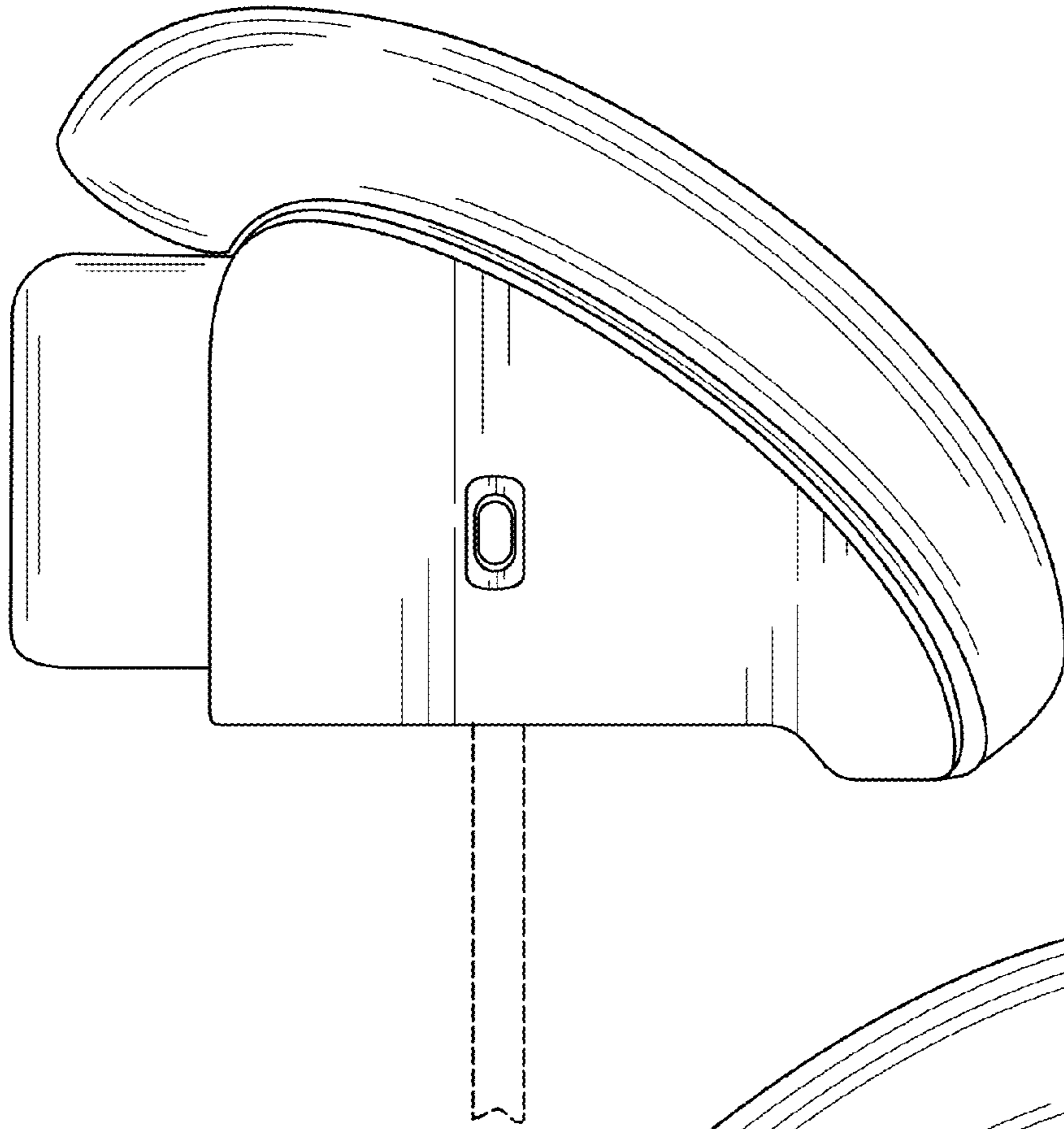


FIG. 5

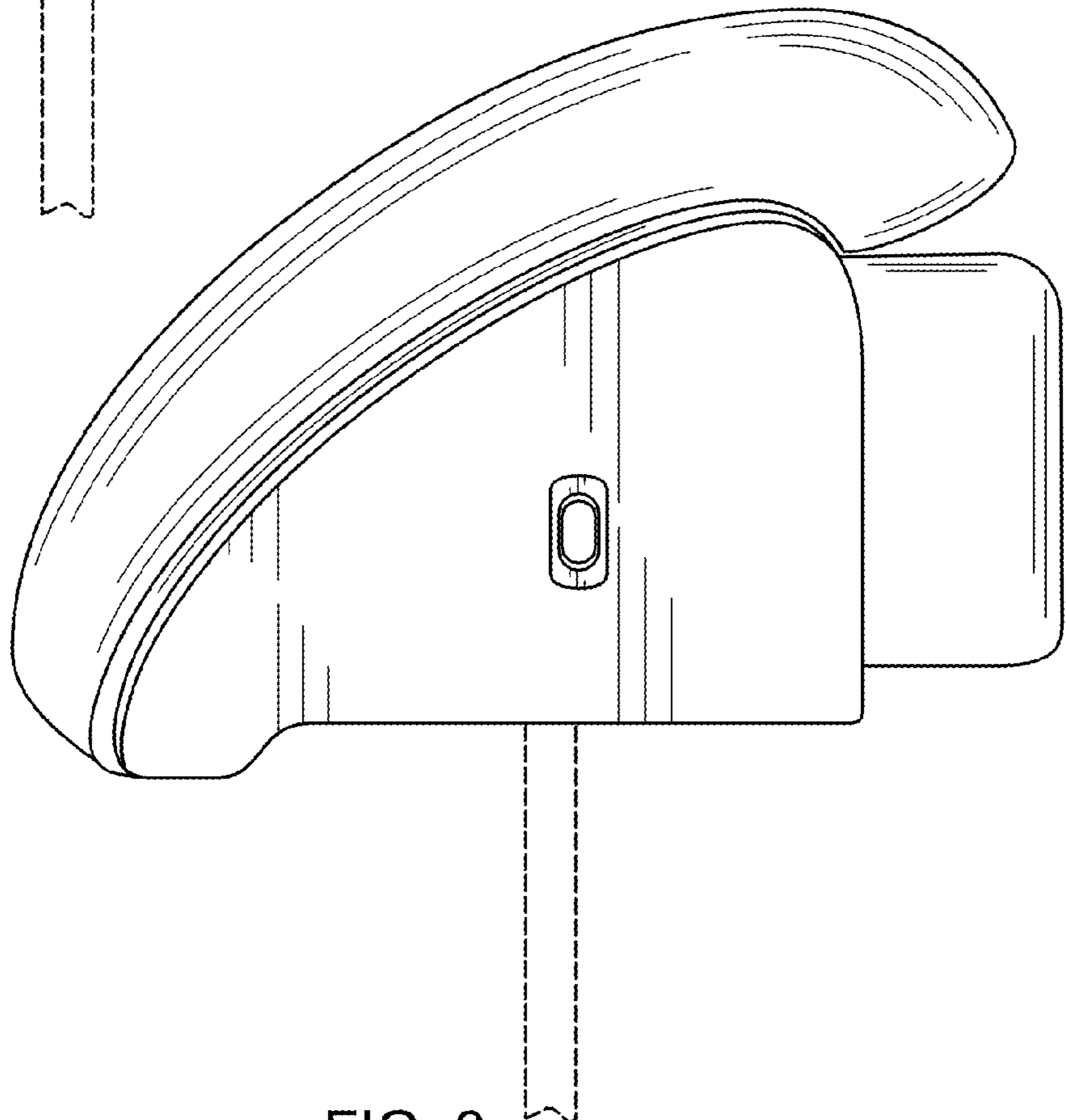


FIG. 6

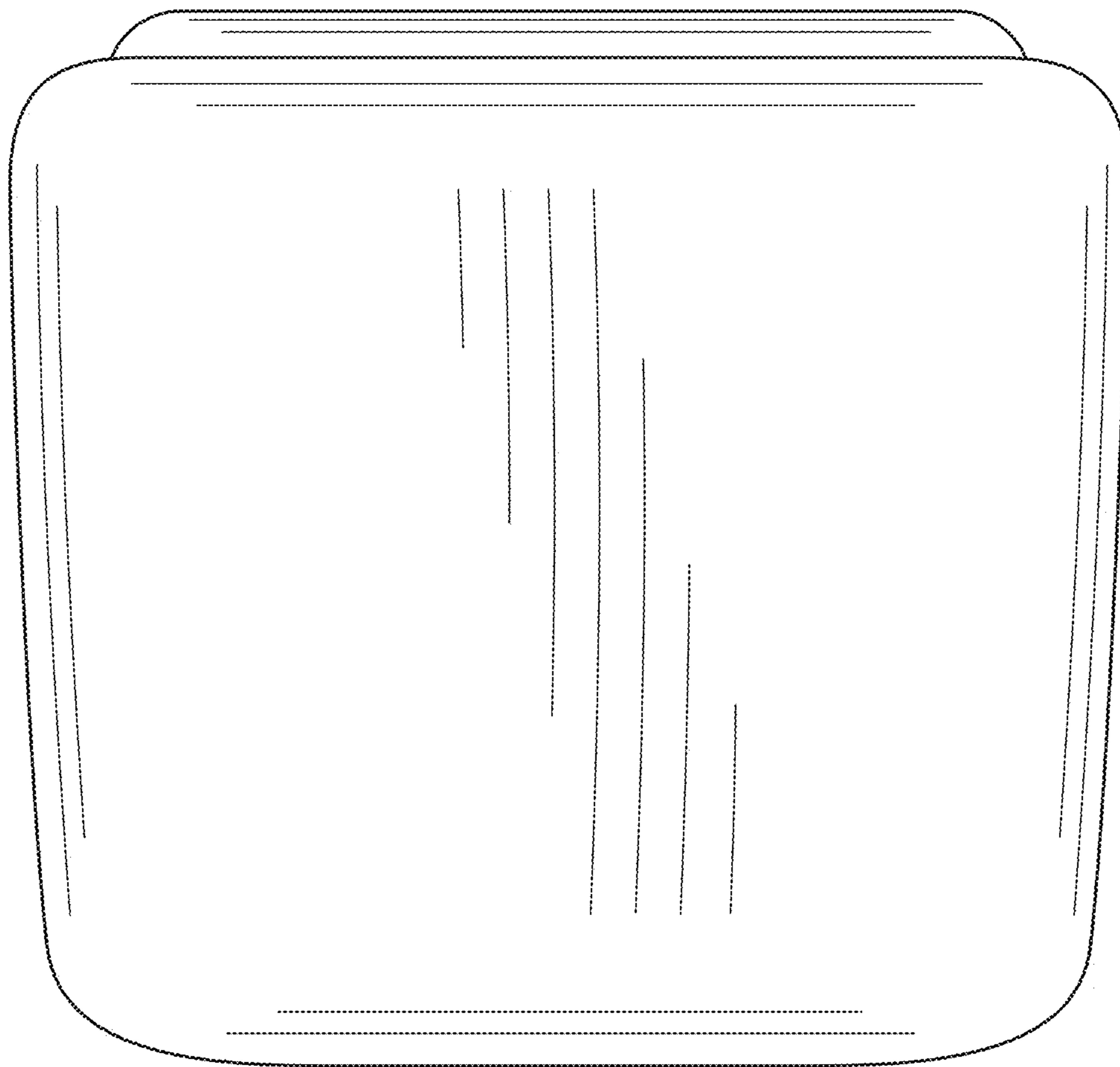


FIG. 7

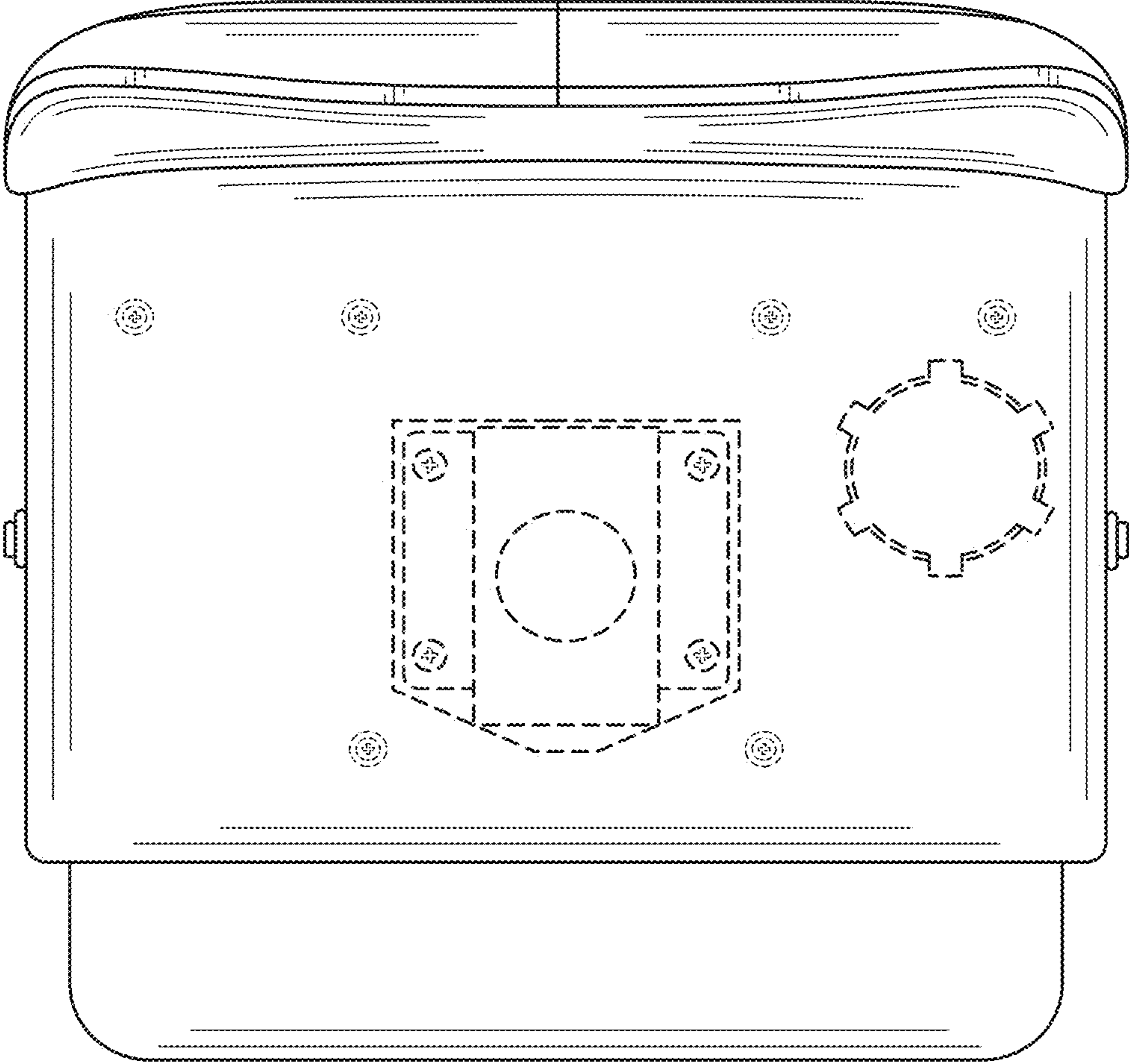


FIG. 8