

US00D909586S

(12) **United States Design Patent**
Farrell

(10) **Patent No.:** **US D909,586 S**

(45) **Date of Patent:** **** Feb. 2, 2021**

(54) **ORAL APPLIANCE**

(71) Applicant: **Christopher John Farrell**, Helensvale
(AU)

(72) Inventor: **Christopher John Farrell**, Helensvale
(AU)

(**) Term: **15 Years**

(21) Appl. No.: **29/670,996**

(22) Filed: **Nov. 21, 2018**

(30) **Foreign Application Priority Data**

May 25, 2018 (AU) 201813152

(51) **LOC (13) Cl.** **24-02**

(52) **U.S. Cl.**
USPC **D24/181; D24/180**

(58) **Field of Classification Search**

USPC D24/180, 181, 194, 176, 177, 178, 179,
D24/182, 110, 110.1-110.6, 127, 108;
D29/108, 122, 128

CPC A61F 5/566; A61F 2005/563; A61H
2001/0207; A63B 71/085; A63B
2071/086; A63B 71/0054; A61C 7/08;
A61C 7/36; A61C 7/143; A61C 7/148;
A61C 19/05

See application file for complete search history.

(56) **References Cited**

U.S. PATENT DOCUMENTS

- 3,079,916 A * 3/1963 Marsden A61M 16/0048
128/202.28
- 3,303,845 A * 2/1967 Detmer, III A61M 16/0048
128/202.28
- 3,457,916 A * 7/1969 Wolicki A63B 71/085
128/862
- 4,179,811 A * 12/1979 Hinz A61C 7/00
433/6

4,235,594 A * 11/1980 Schwartz A61C 9/00
433/213

D263,166 S * 2/1982 Bushman D24/110
D265,586 S * 7/1982 Sloan D24/122

(Continued)

FOREIGN PATENT DOCUMENTS

WO 2012155214 A1 11/2012
WO 2015149127 A1 10/2015

(Continued)

Primary Examiner — T Chase Nelson

Assistant Examiner — Kelly L Gross

(74) *Attorney, Agent, or Firm* — Lerner, David,
Littenberg, Krumholz & Mentlik, LLP

(57) **CLAIM**

The ornamental design for an oral appliance, as shown and described.

DESCRIPTION

FIG. 1 is a front perspective view of an oral appliance according to a first embodiment of my new design;

FIG. 2 is a rear perspective view thereof;

FIG. 3 is a front elevation view thereof;

FIG. 4 is a rear elevation view thereof;

FIG. 5 is a left side elevation view thereof, the right side elevation view being a mirror image thereof;

FIG. 6 is a top plan view thereof;

FIG. 7 is a bottom plan view thereof;

FIG. 8 is a front perspective view of an oral appliance according to a second embodiment of my new design;

FIG. 9 is a rear perspective view thereof;

FIG. 10 is a front elevation view thereof;

FIG. 11 is a rear elevation view thereof;

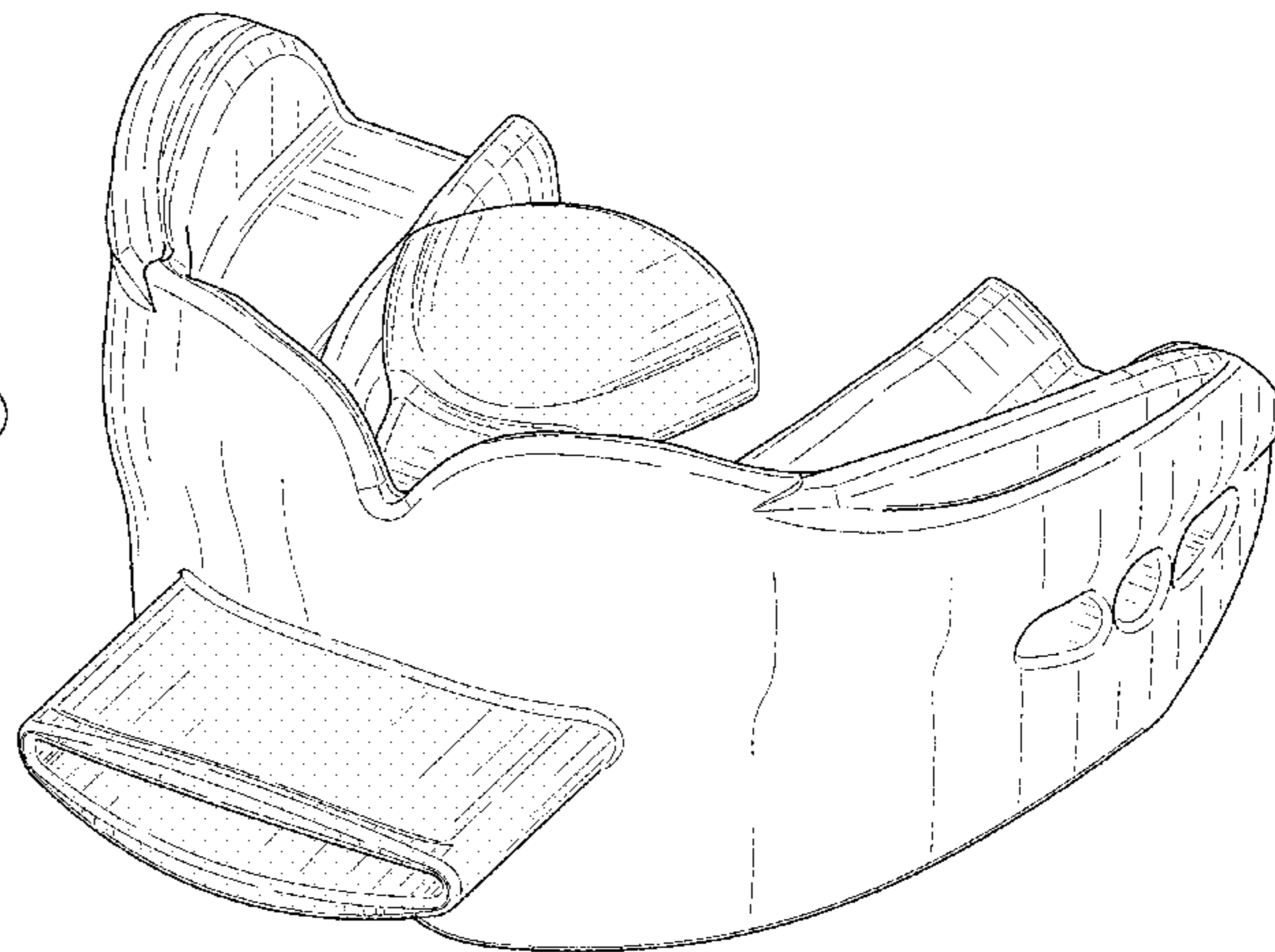
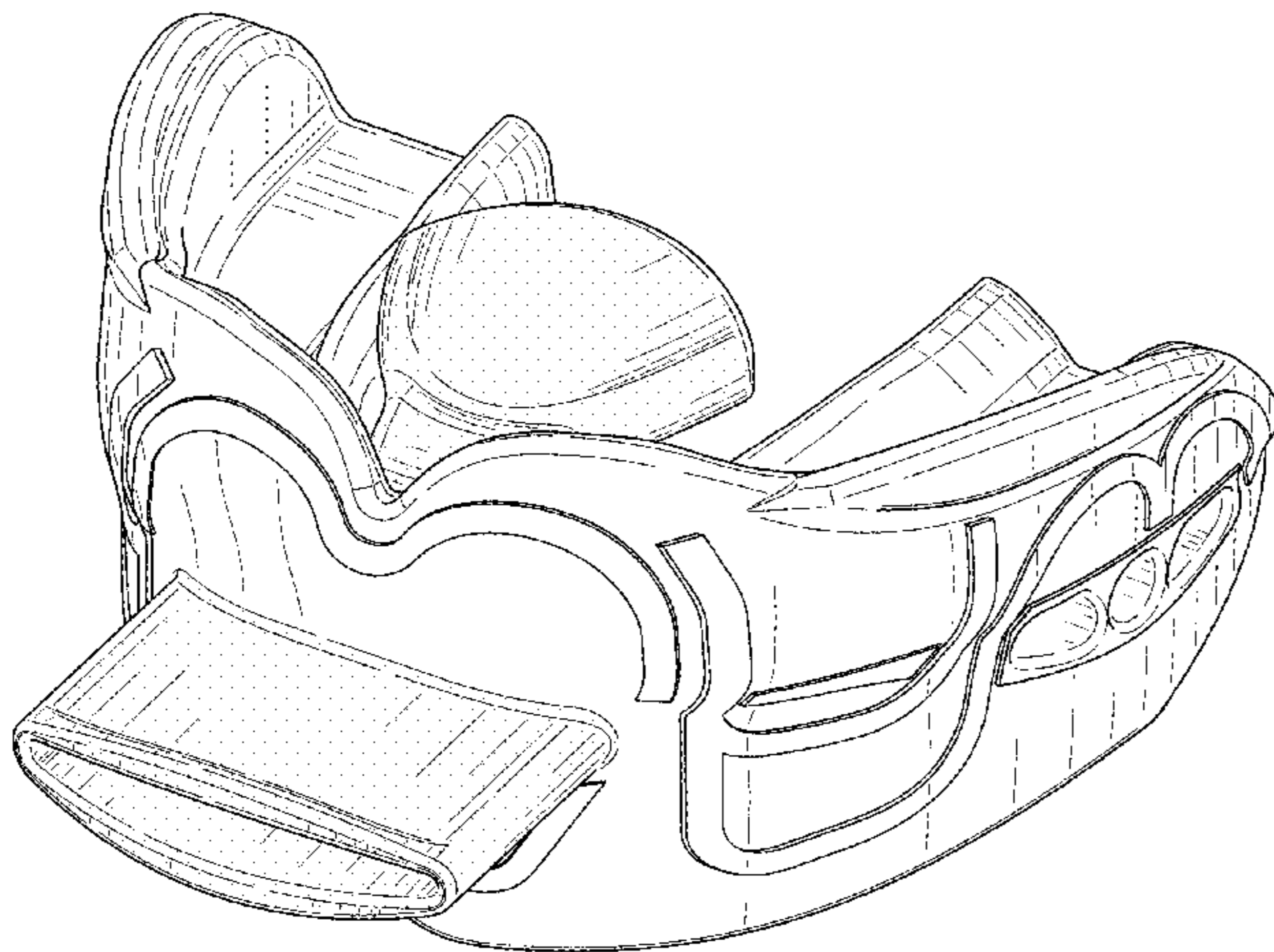
FIG. 12 is a left side elevation view thereof, the right side elevation view being a mirror image thereof;

FIG. 13 is a top plan view thereof; and,

FIG. 14 is a bottom plan view thereof.

The features shown in broken lines are environmental only and form no part of the claimed design.

1 Claim, 12 Drawing Sheets



(56)

References Cited

U.S. PATENT DOCUMENTS

D283,158 S *	3/1986	Jackson	128/207.14	8,448,282 B2 *	5/2013	Stapelbroek	A61C 7/08 15/167.2
4,695,417 A *	9/1987	Hall	A61C 7/08 264/16	D695,889 S *	12/2013	Bruggeman	D24/110.5
4,715,368 A *	12/1987	George	A61F 5/566 128/859	D717,447 S *	11/2014	Farrell	D24/181
D295,797 S *	5/1988	Bono	D24/110.5	D717,449 S *	11/2014	Farrell	D24/181
D301,618 S *	6/1989	Barros	D24/110	D717,450 S *	11/2014	Farrell	D24/181
D302,036 S *	7/1989	George	D24/110	D727,570 S *	4/2015	Brett	D29/108
D303,440 S *	9/1989	Campbell	D24/110.5	9,005,120 B2 *	4/2015	Ryan	A61B 5/682 600/301
D311,607 S *	10/1990	Howells	D24/110	D734,556 S *	7/2015	Brett	D24/181
RE33,442 E *	11/1990	George	A61M 16/0493 128/860	D753,817 S *	4/2016	Maguire	D24/110.5
4,986,751 A *	1/1991	Bergersen	A61C 7/08 433/6	D760,889 S *	7/2016	Evans	D24/110.5
5,028,231 A *	7/1991	Hall	A61C 7/08 264/16	D765,255 S *	8/2016	Levine	D24/181
5,031,611 A *	7/1991	Moles	B63C 11/186 128/201.11	D765,919 S *	9/2016	Croll	D29/108
5,062,422 A *	11/1991	Kinkade	B63C 11/186 128/200.26	D767,146 S *	9/2016	Farrell	D24/181
5,092,346 A	3/1992	Hays et al.		D782,743 S *	3/2017	Engel	B63C 11/186 D29/108
5,117,816 A *	6/1992	Shapiro	A61F 5/566 128/200.24	9,630,082 B2 *	4/2017	Zents	A63B 71/085
D329,901 S *	9/1992	Jackson	D24/176	D795,501 S *	8/2017	Levine	D29/108
5,305,741 A *	4/1994	Moles	B63C 11/186 128/201.11	9,717,975 B2 *	8/2017	Evans	A63B 71/085
5,353,810 A *	10/1994	Kittelsen	A63B 71/085 128/859	D799,049 S *	10/2017	Farrell	A61F 5/566 D24/181
5,462,066 A *	10/1995	Snyder	A61F 5/566 128/848	D800,315 S *	10/2017	Crowley	D24/176
5,792,067 A	8/1998	Karell		D800,317 S *	10/2017	Farrell	D24/181
D399,950 S *	10/1998	Shepard	D24/110.5	9,848,959 B2 *	12/2017	Lowe	A61C 17/005
D406,647 S *	3/1999	Wagner	D24/181	D815,291 S *	4/2018	Farrell	A63B 71/085 D24/181
6,405,729 B1 *	6/2002	Thornton	A61F 5/566 128/206.29	D816,210 S *	4/2018	Gerschman	A61B 5/682 D24/110.5
D461,240 S *	8/2002	Dort	D24/105	D833,622 S *	11/2018	Farrell	A61C 17/005 D24/181
D479,876 S *	9/2003	Gradon	D24/110	D836,204 S *	12/2018	Montgomery	A61C 7/08 D24/181
D504,947 S *	5/2005	McAuley	D24/110	10,149,782 B2 *	12/2018	Chen	A61M 16/0493
D528,655 S *	9/2006	Clawson	D24/110	D838,839 S *	1/2019	Fujiwara	A61F 5/566 D24/110.5
D536,441 S *	2/2007	Garren	D24/110	D839,485 S *	1/2019	Turkbas	A61C 7/08 D29/108
D538,926 S *	3/2007	Jeong	D24/110	D841,257 S *	2/2019	Turkbas	A61C 7/08 D29/108
D542,408 S *	5/2007	Oldenburg	D24/110.5	D841,818 S *	2/2019	Farrell	B63C 11/186 D24/181
D595,413 S *	6/2009	Farrell	D24/181	D842,999 S *	3/2019	Fleury	A61M 16/0493 D24/197
D605,285 S *	12/2009	Garren	D24/110	D851,749 S *	6/2019	Siew	A61F 5/566 D24/110.1
D609,347 S *	2/2010	Farrell	A61C 7/08 D24/180	D853,655 S *	7/2019	Turkbas	A63B 71/085 D29/108
D609,348 S *	2/2010	Farrell	A61F 5/566 D24/181	D854,679 S *	7/2019	Gerschman	A61C 5/90 D24/110.5
D615,187 S *	5/2010	Bowden	A61F 5/566 D24/110	D854,753 S *	7/2019	Turkbas	A61C 7/00 D29/108
D615,709 S *	5/2010	Manzo	A61C 5/90 D29/108	D857,301 S *	8/2019	Turkbas	A61B 5/0833 D29/108
D618,399 S *	6/2010	Manzo	A61F 5/566 D29/108	D857,998 S *	8/2019	Turkbas	A61M 16/0434 D29/108
D626,292 S *	10/2010	Farrell	A61F 5/566 D29/108	D864,399 S *	10/2019	Qin	A61F 5/566 D24/176
D627,107 S *	11/2010	Manzo	D29/108	D867,673 S *	11/2019	Turkbas	A63B 71/085 D29/108
D629,909 S *	12/2010	Chiu	D24/181	D869,774 S *	12/2019	Turkbas	A61C 7/08 D29/108
D630,382 S *	1/2011	Manzo	D29/108	D871,571 S *	12/2019	Chen	A61F 5/566 D24/110.5
D634,480 S *	3/2011	Manzo	A63B 71/085 D29/108	D872,281 S *	1/2020	Brauteseth	A61C 7/08 D24/181
D636,074 S *	4/2011	Levine	D24/110.5	D874,654 S *	2/2020	Martone	A61C 7/08 D24/180
D642,277 S *	7/2011	Farrell	D24/181	D875,237 S *	2/2020	Ghazzawi	A61C 7/08 D24/110
D648,900 S *	11/2011	Manzo	D29/108	D876,728 S *	2/2020	Evans	A61C 7/08 D29/108
D650,066 S *	12/2011	Boyd	D24/110.5	10,568,757 B2 *	2/2020	Radmand	A61F 5/566
D652,575 S *	1/2012	Farrell	D29/108	D877,340 S *	3/2020	Montgomery	A61C 9/00 D24/176
D652,576 S *	1/2012	Farrell	D29/108	2003/0019497 A1 *	1/2003	Farrell	A61C 7/08 128/861
D654,173 S *	2/2012	Farrell	D24/181				
D654,595 S *	2/2012	Farrell	D24/181				
D662,586 S *	6/2012	Coath	D24/110				
D683,030 S *	5/2013	Croll	D24/181				
D683,446 S *	5/2013	Eves	D24/110.4				

(56)

References Cited

U.S. PATENT DOCUMENTS

2004/0103905 A1* 6/2004 Farrell A61C 7/08
128/861
2007/0099144 A1* 5/2007 Keski-Nisula A61C 7/08
433/6
2008/0257358 A1 10/2008 Stern et al.
2010/0311003 A1 12/2010 Kozlov
2011/0185525 A1* 8/2011 Stapelbroek A61C 7/08
15/167.1
2013/0263864 A1* 10/2013 von Treuenfels A61F 5/566
128/848
2014/0190490 A1* 7/2014 Walker A61F 5/566
128/848
2014/0276171 A1* 9/2014 Hestness A61B 5/0833
600/531
2014/0326253 A1* 11/2014 Baratier A61F 5/566
128/848
2015/0079530 A1* 3/2015 Bergersen A61C 7/08
433/6
2015/0157821 A1* 6/2015 Manecke A61M 16/0434
600/114
2016/0338813 A1* 11/2016 Kamohara A61C 9/0006
2017/0173356 A1* 6/2017 Demarest A61C 5/90
2018/0078405 A1* 3/2018 Farrell A61F 5/566
2018/0228643 A1* 8/2018 Goldstein A61C 5/90

FOREIGN PATENT DOCUMENTS

WO 2017020079 A1 2/2017
WO 2017165918 A1 10/2017

* cited by examiner

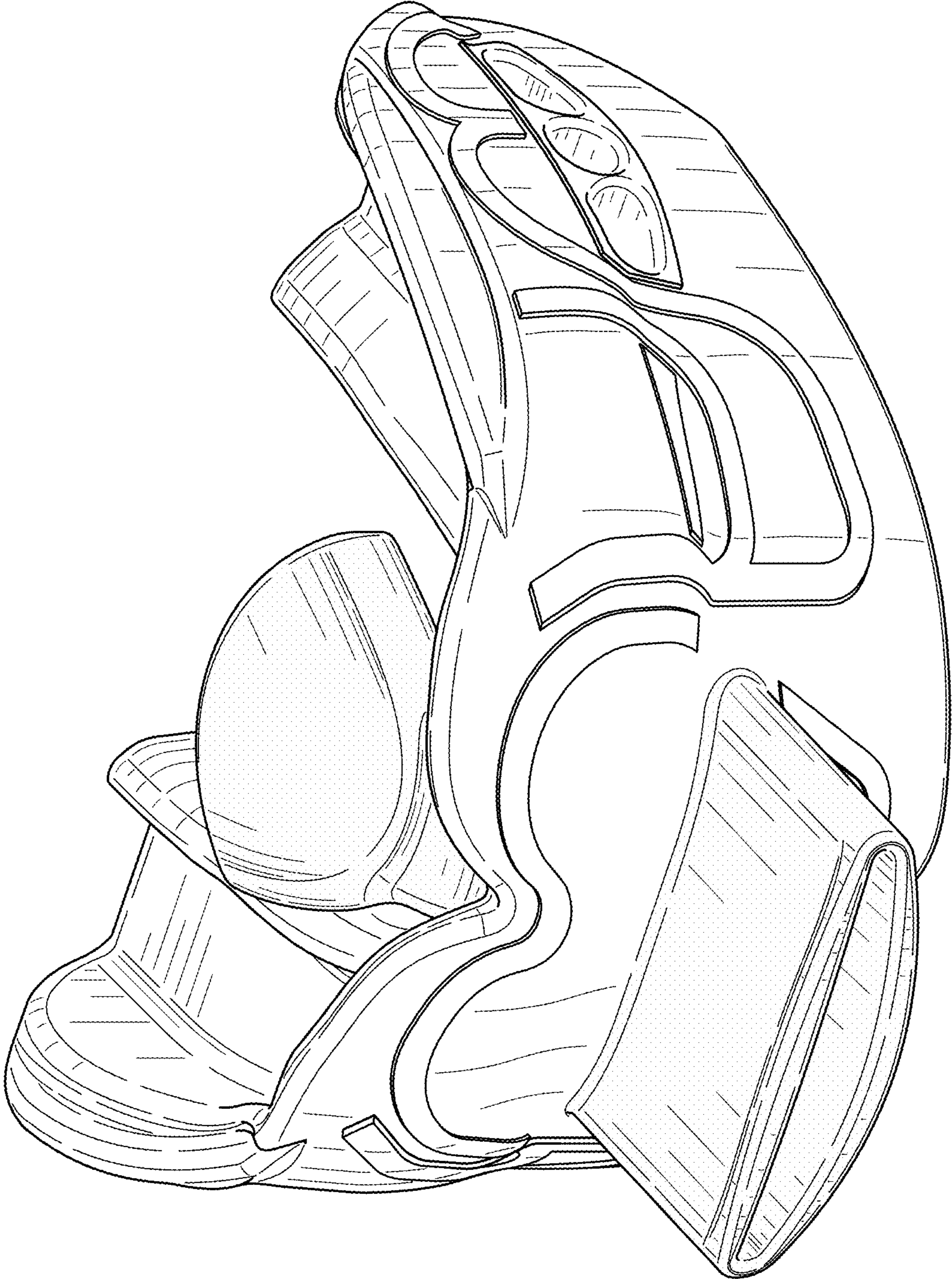


FIG. 1

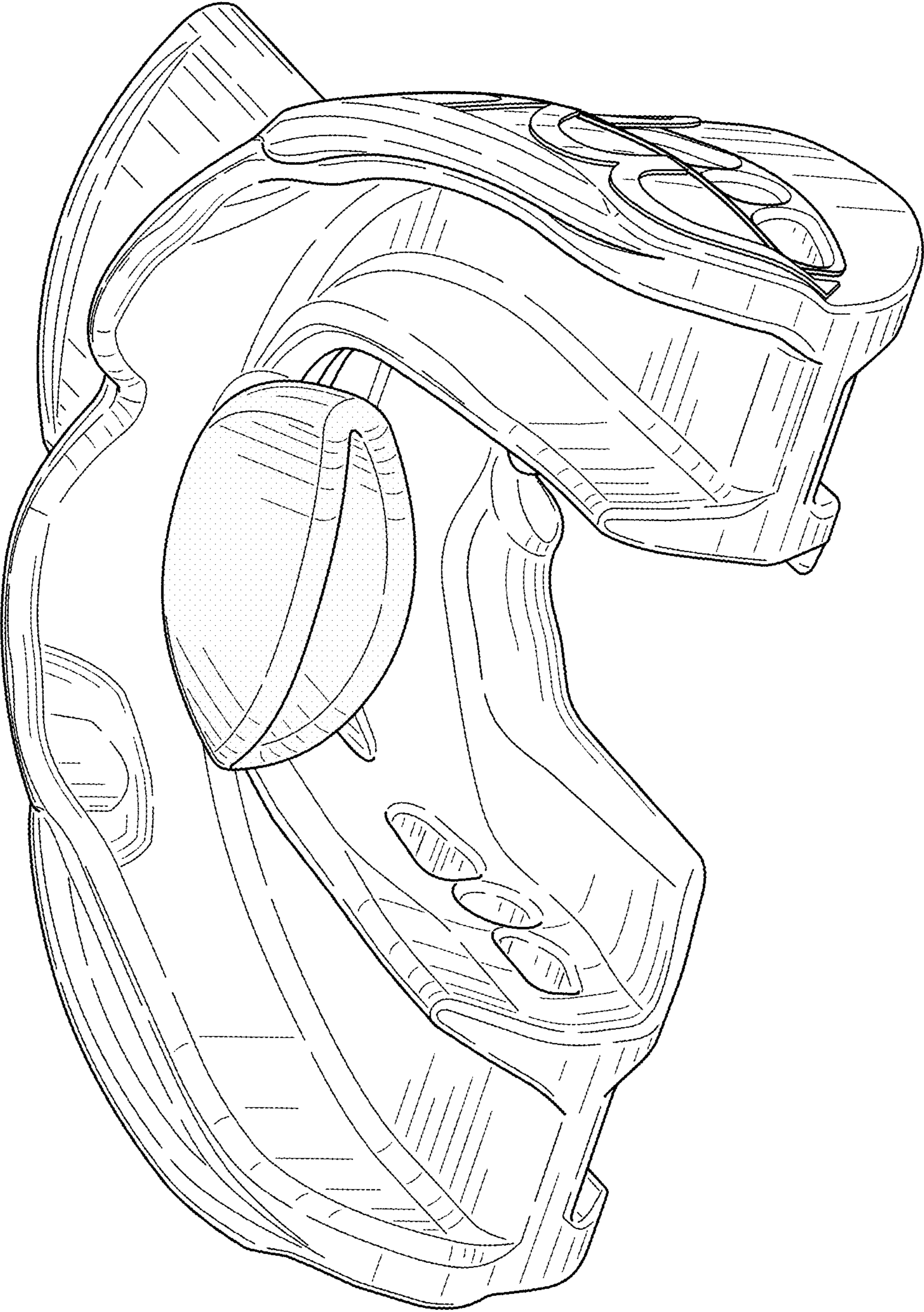


FIG. 2

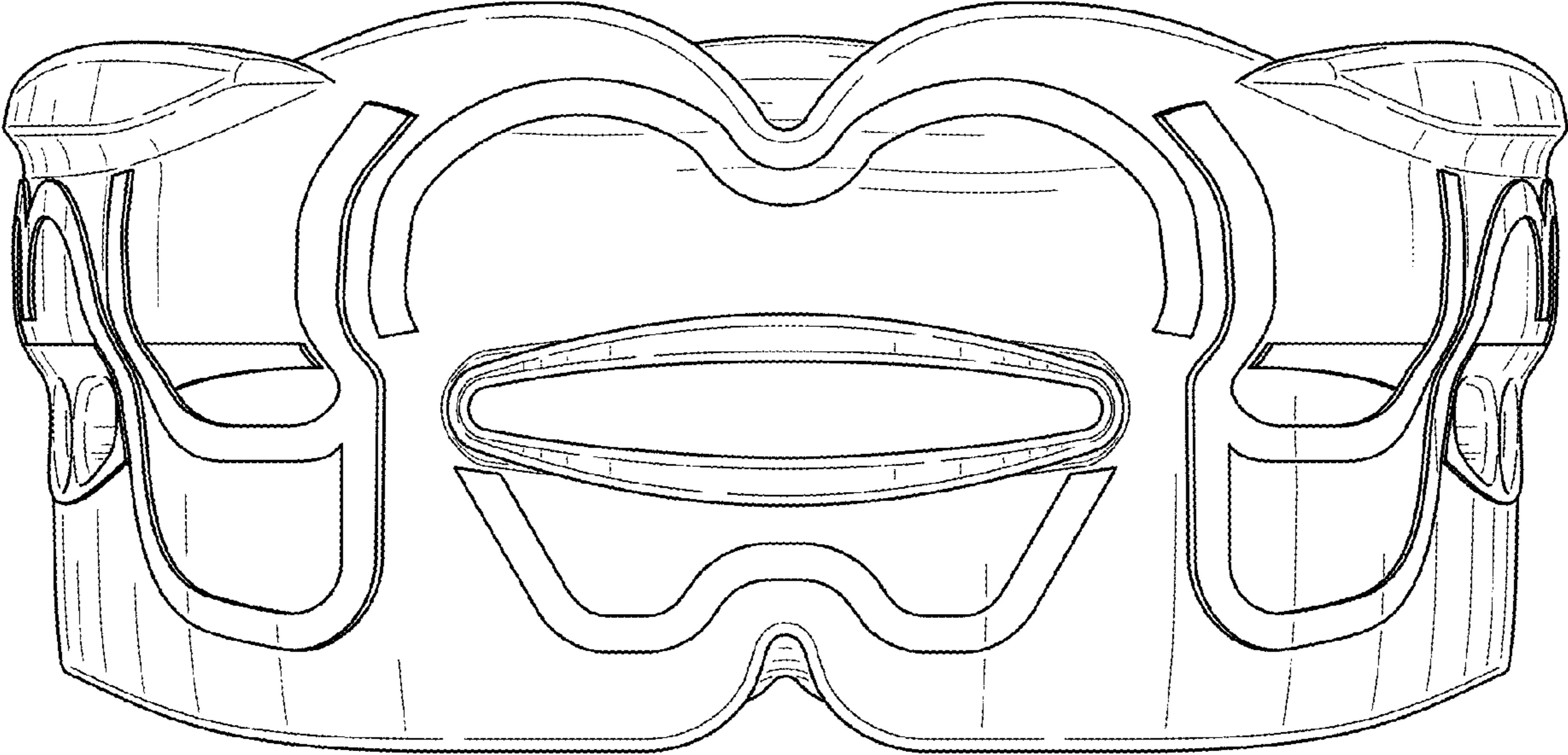


FIG. 3

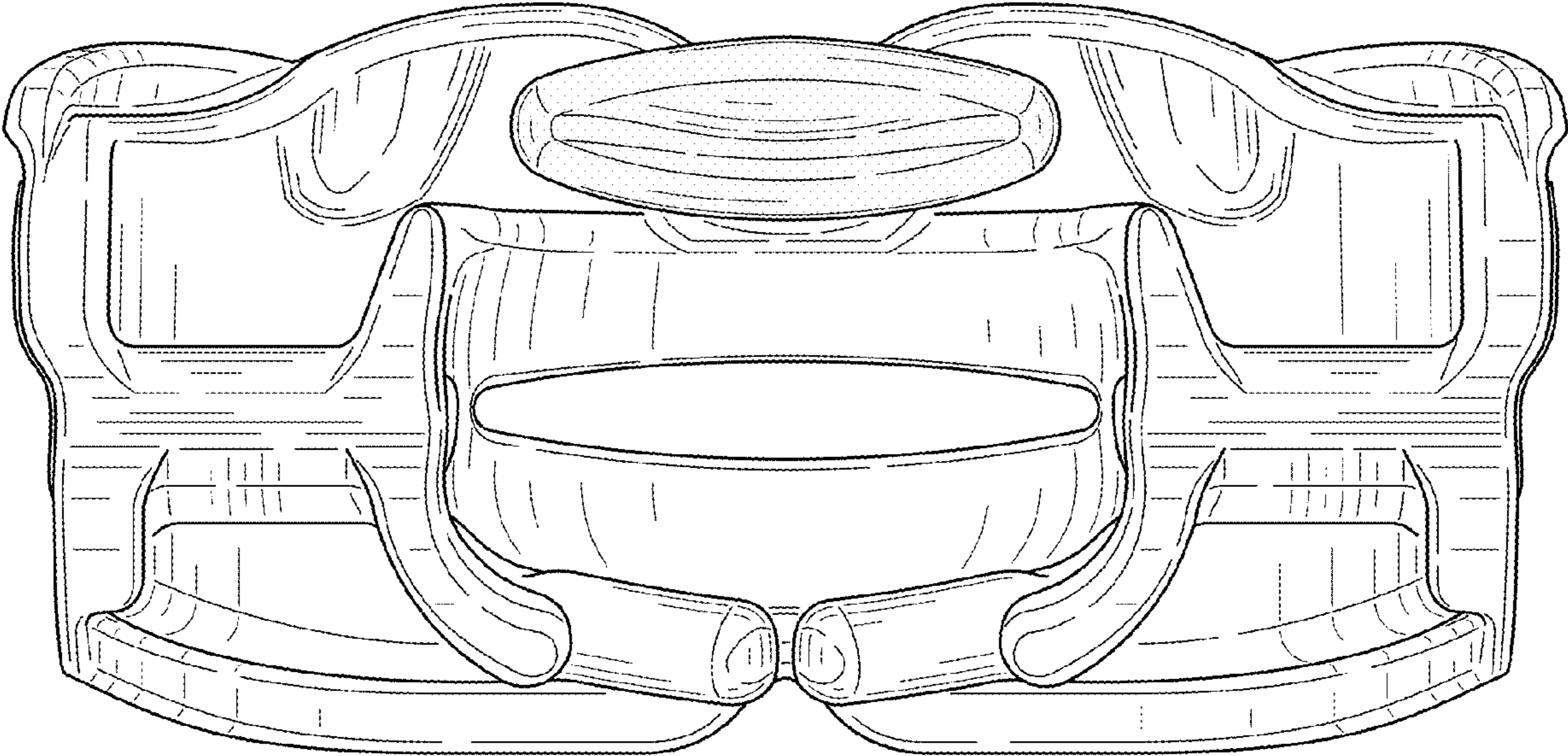


FIG. 4

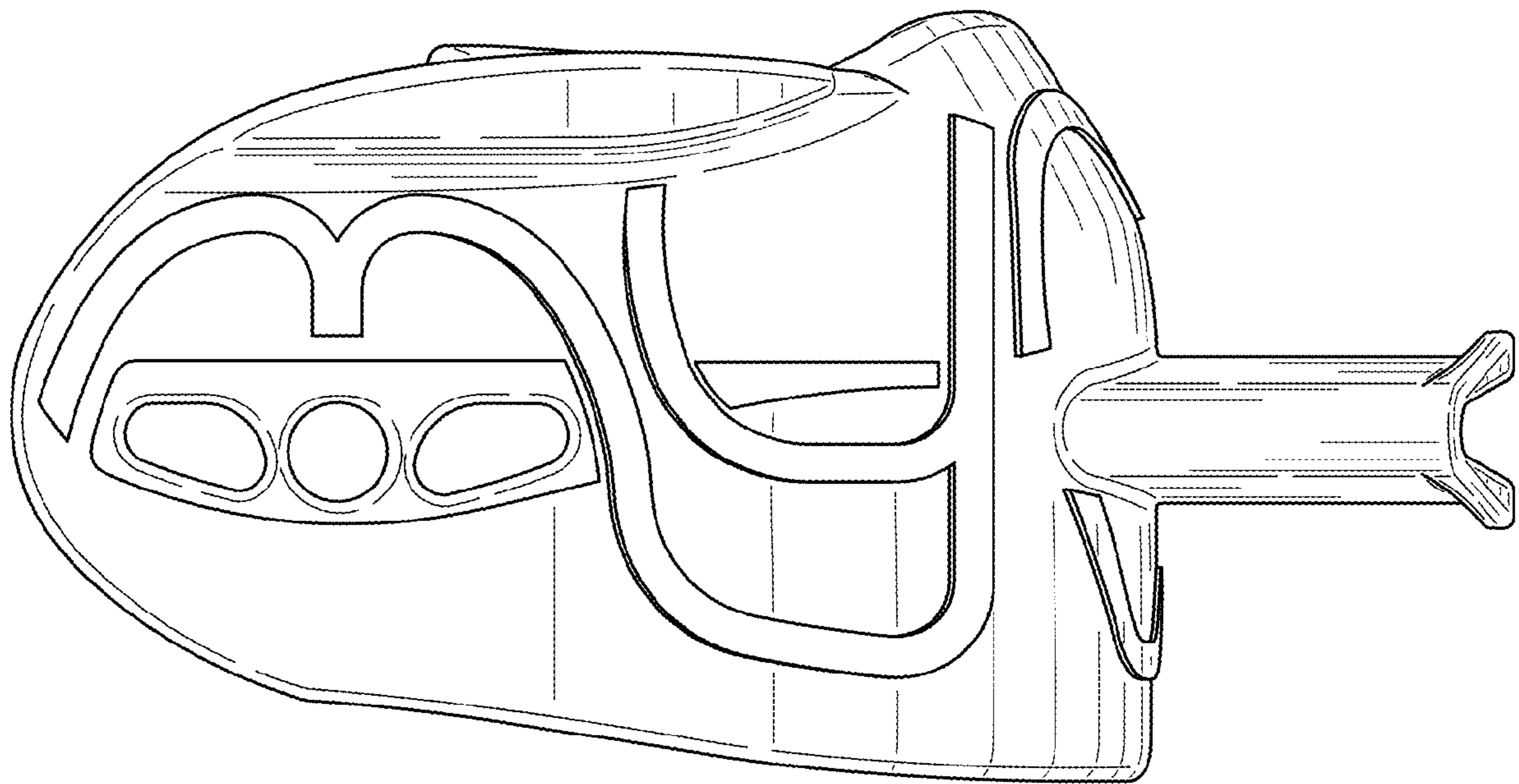


FIG. 5

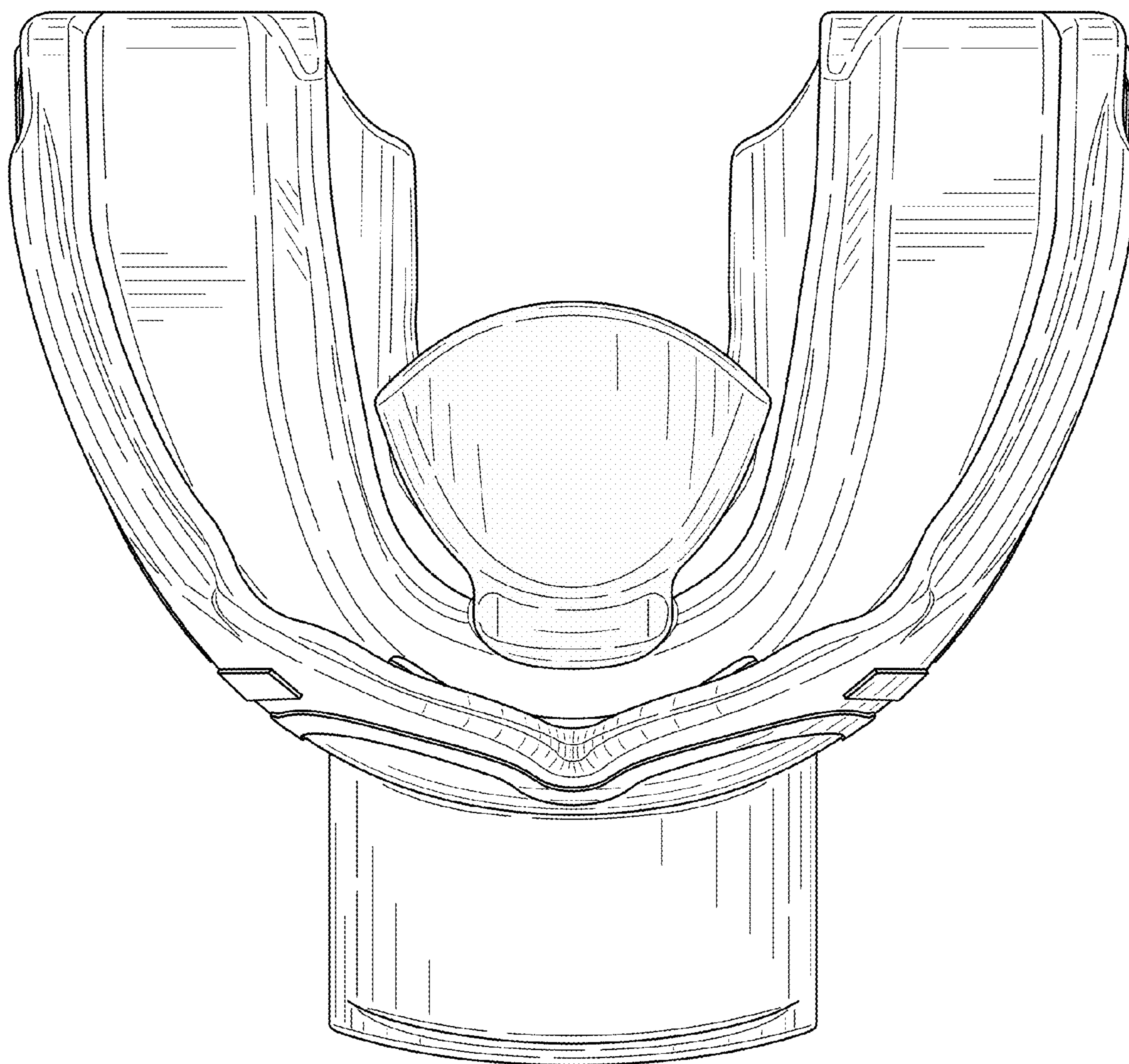


FIG. 6

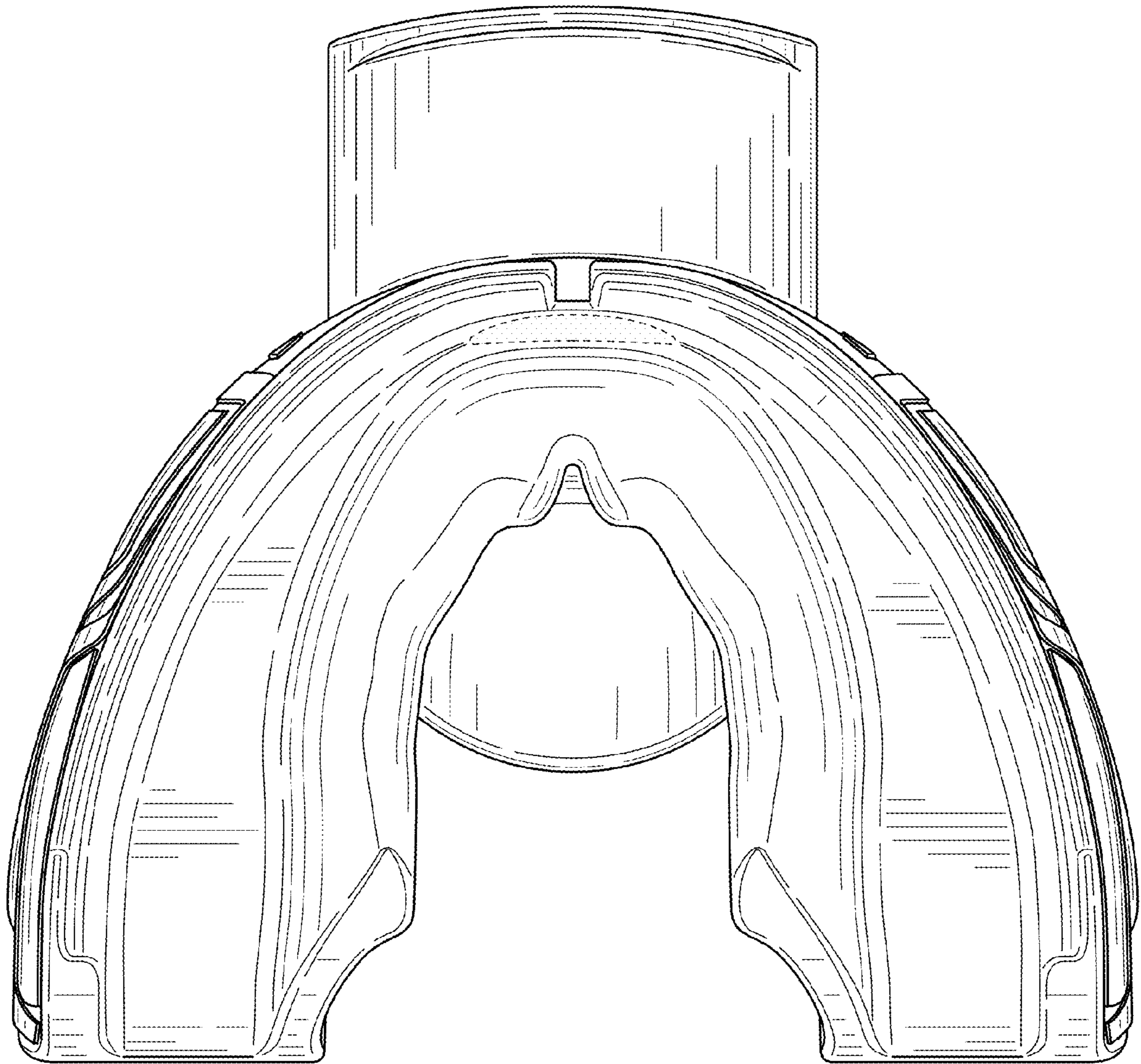


FIG. 7

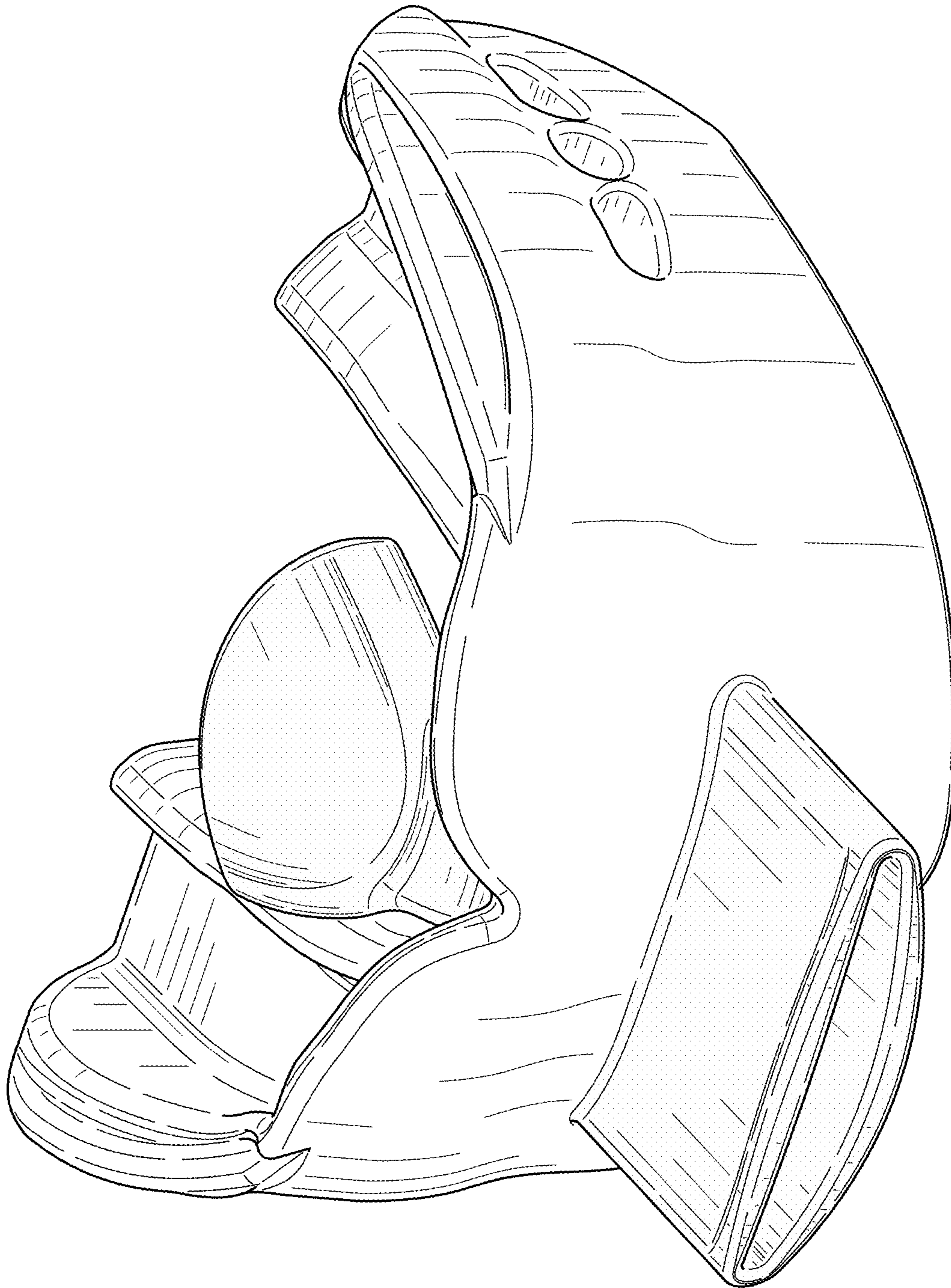


FIG. 8

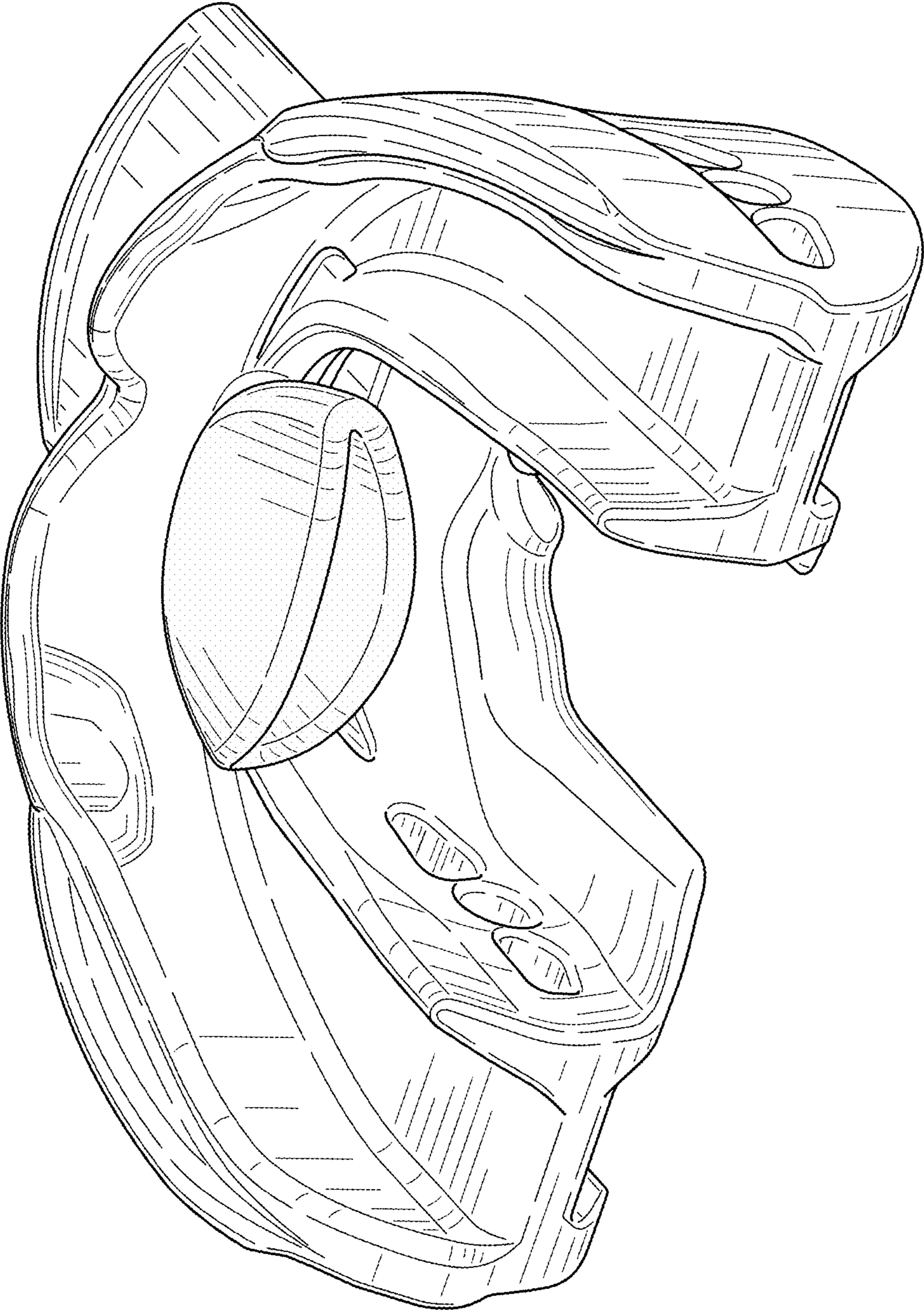


FIG. 9

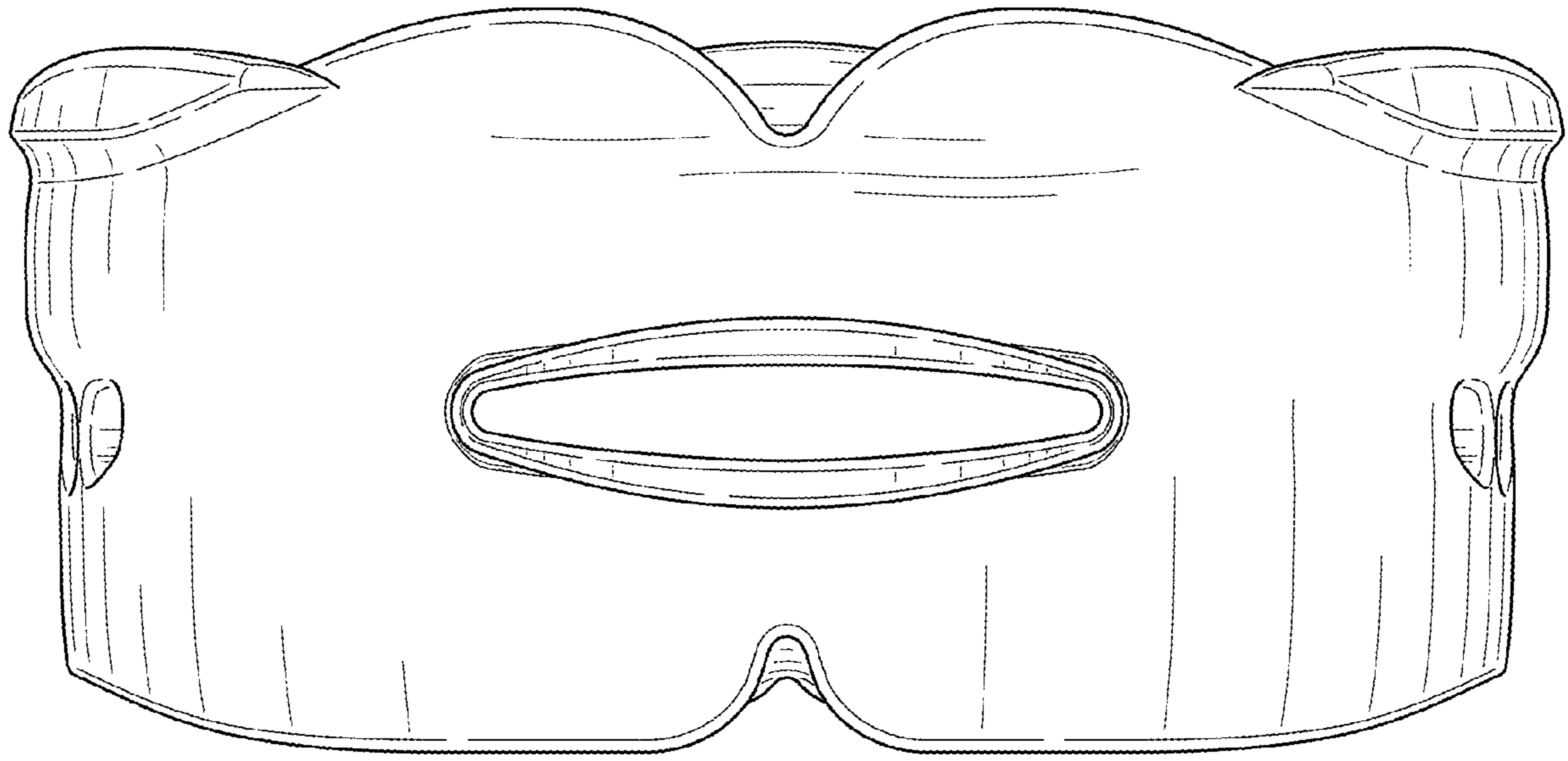


FIG. 10

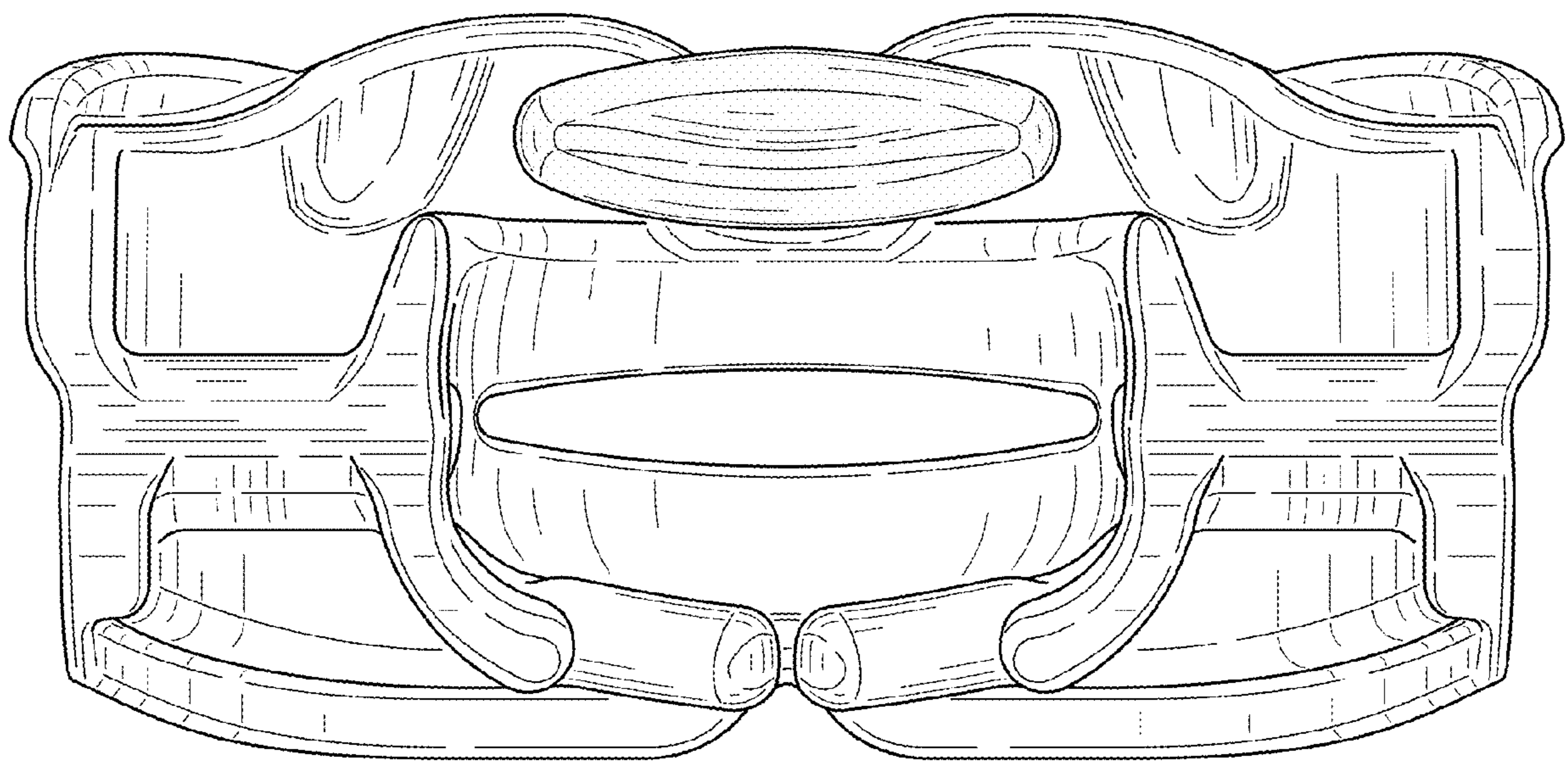


FIG. 11

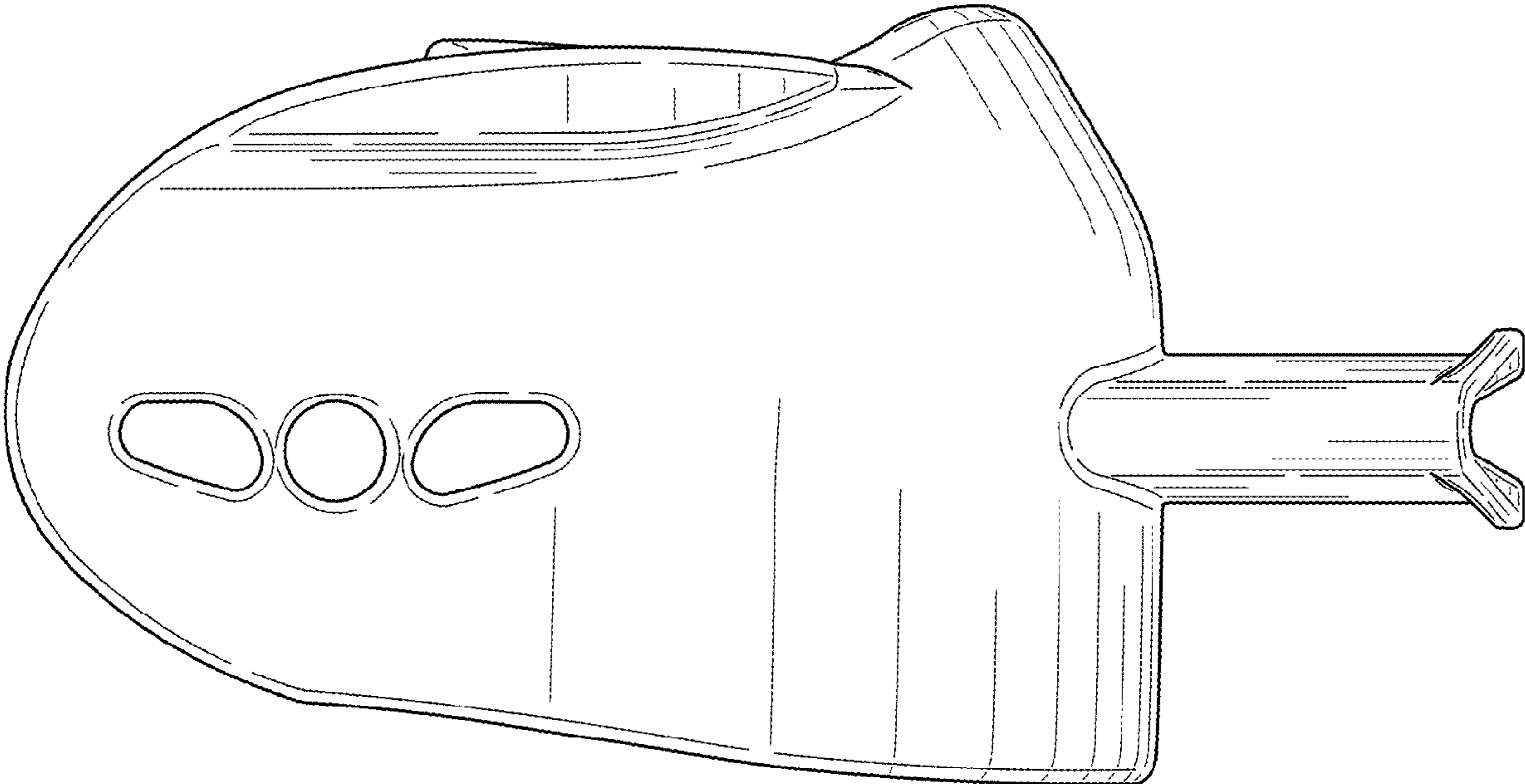


FIG. 12

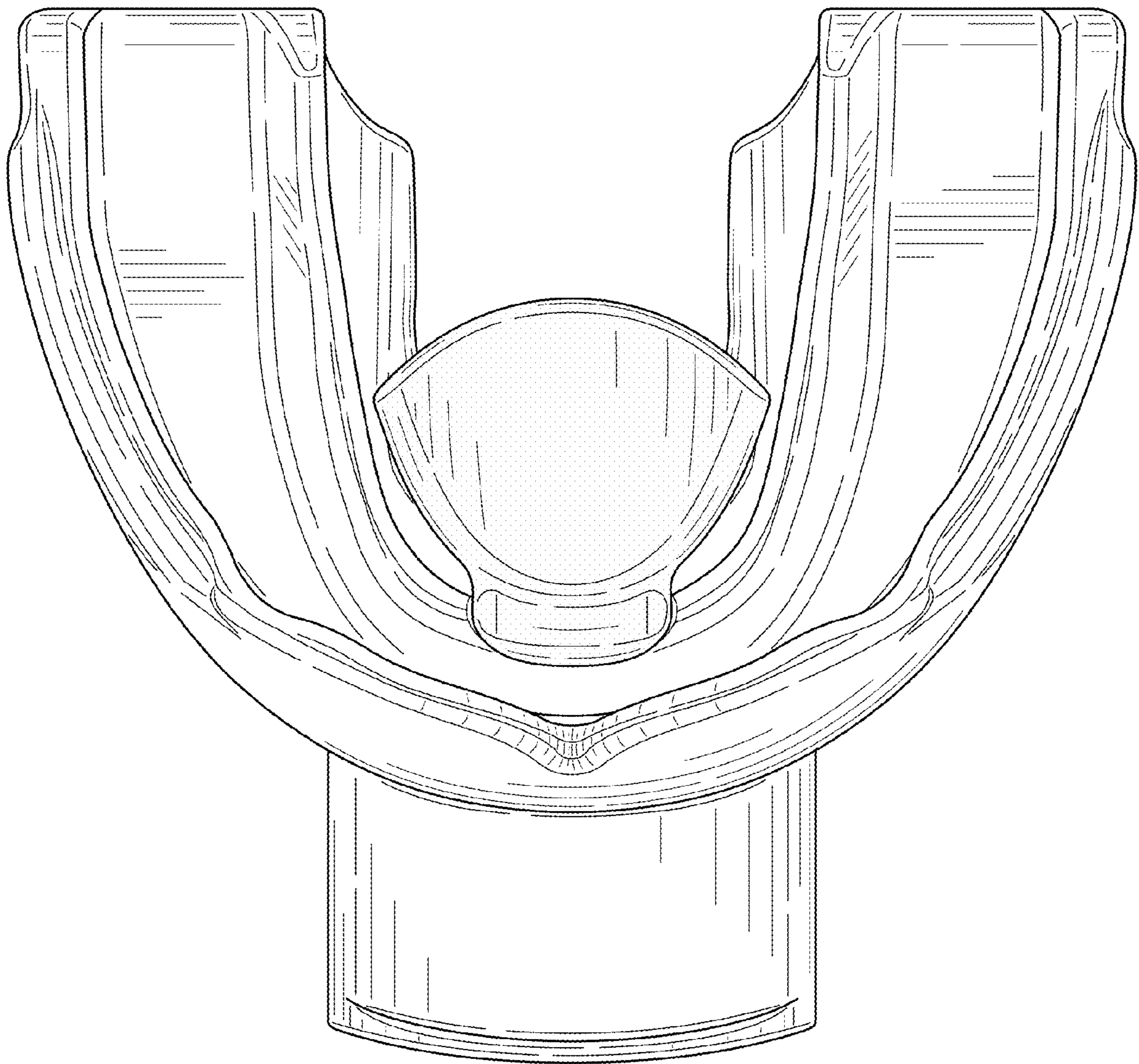


FIG. 13

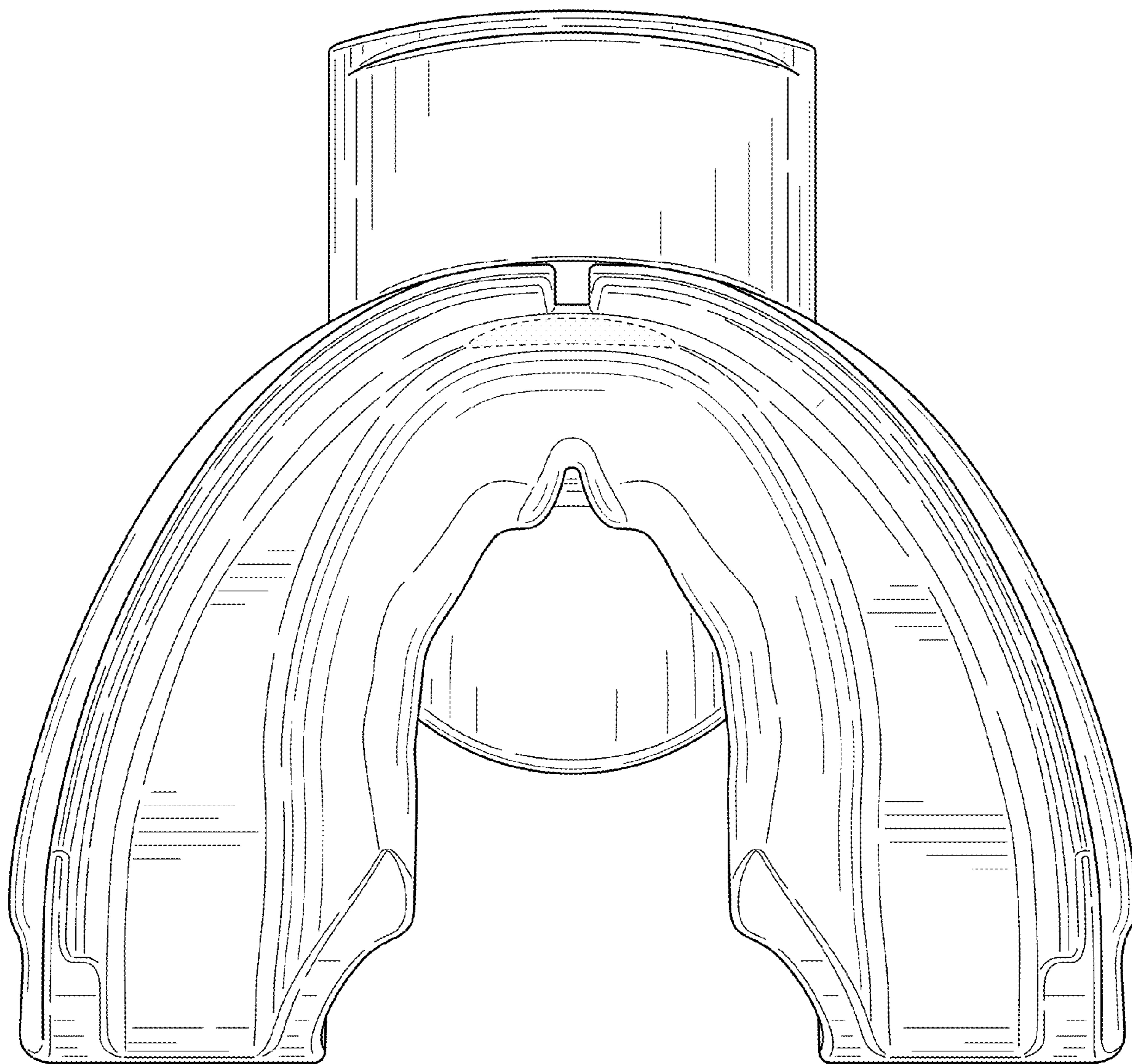


FIG. 14