



US00D909575S

(12) **United States Design Patent**
Ohno

(10) **Patent No.:** **US D909,575 S**

(45) **Date of Patent:** **** Feb. 2, 2021**

(54) **OPERATING GRIP FOR ENDOSCOPE**

(71) Applicant: **FUJIFILM Corporation**, Tokyo (JP)

(72) Inventor: **Hirotohi Ohno**, Ashigarakami-gun (JP)

(73) Assignee: **FUJIFILM Corporation**, Tokyo (JP)

(**) Term: **15 Years**

(21) Appl. No.: **29/642,234**

(22) Filed: **Mar. 28, 2018**

(30) **Foreign Application Priority Data**

Sep. 29, 2017 (JP) 2017-021495
Sep. 29, 2017 (JP) 2017-021496
Sep. 29, 2017 (JP) 2017-021497
Sep. 29, 2017 (JP) 2017-021498

(51) **LOC (13) Cl.** **24-02**

(52) **U.S. Cl.**
USPC **D24/138**

(58) **Field of Classification Search**
USPC D24/137, 138
CPC A61B 1/2676
See application file for complete search history.

(56) **References Cited**

U.S. PATENT DOCUMENTS

D277,505 S * 2/1985 Kubokawa D24/138
D842,465 S * 3/2019 Osada D24/138

D871,576 S * 12/2019 Lohk D24/138
D884,168 S * 5/2020 Lohk D24/138
D886,999 S * 6/2020 Lohk D24/138
D888,237 S * 6/2020 Lohk D24/138

* cited by examiner

Primary Examiner — Eliza Z Bennett-Hattan

(74) *Attorney, Agent, or Firm* — Birch, Stewart, Kolasch & Birch, LLP

(57) **CLAIM**

The ornamental design for an operating grip for endoscope, as shown and described.

DESCRIPTION

FIG. 1 is a top, front and left side perspective view of an operating grip for endoscope showing my new design; FIG. 2 is a top, rear and left side perspective view thereof; FIG. 3 is a top, front and right side perspective view thereof; FIG. 4 is a bottom, front and left side perspective view thereof; FIG. 5 is a front elevational view thereof; FIG. 6 is a rear elevational view thereof; FIG. 7 is a top plan view thereof; FIG. 8 is a bottom plan view thereof; FIG. 9 is a left side elevational view thereof; FIG. 10 is a right side elevational view thereof; and, FIG. 11 is a cross-sectional view thereof taken along line XI-XI of FIG. 9, in which an internal structure thereof is not shown.

1 Claim, 11 Drawing Sheets

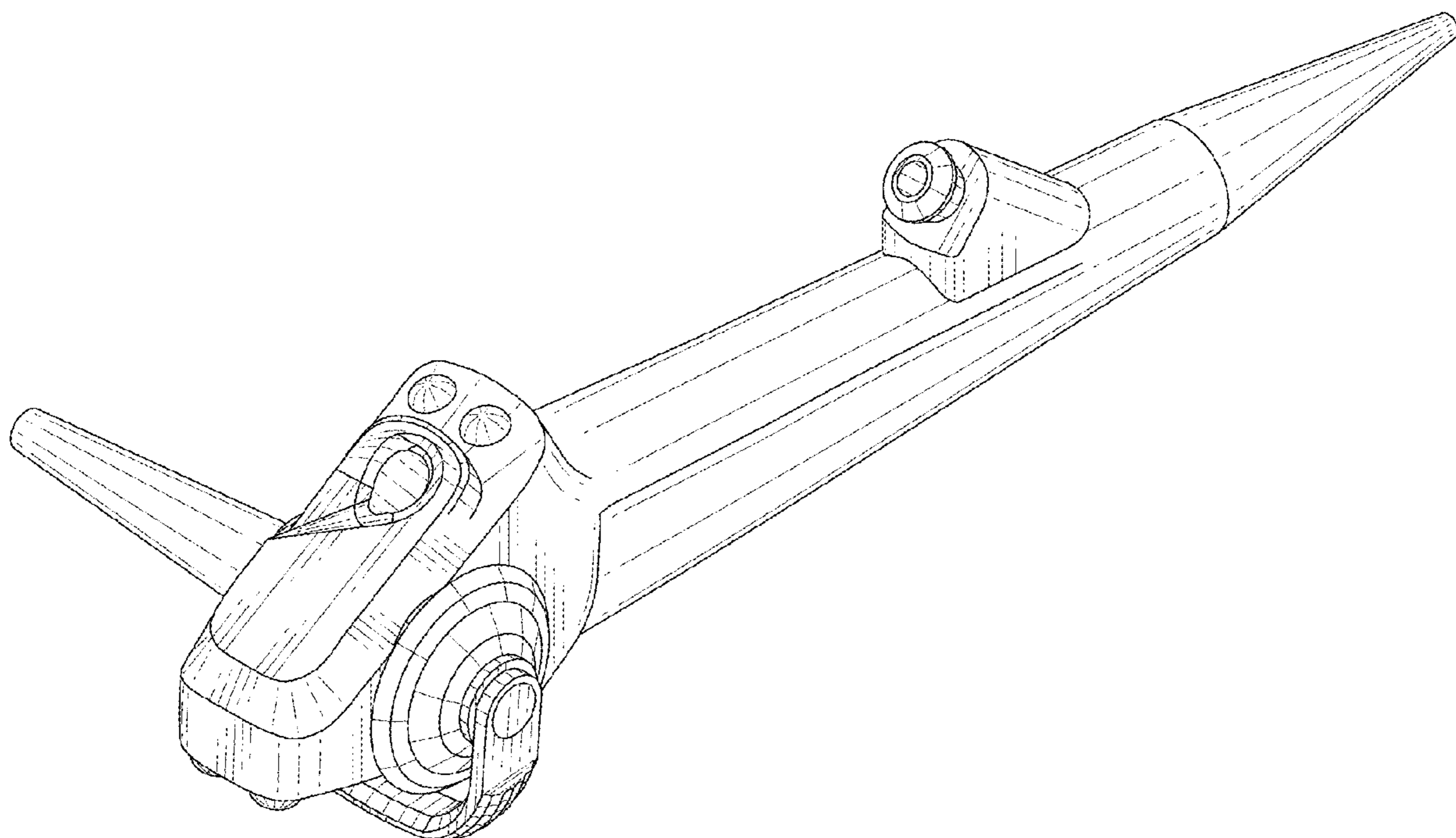


FIG.1

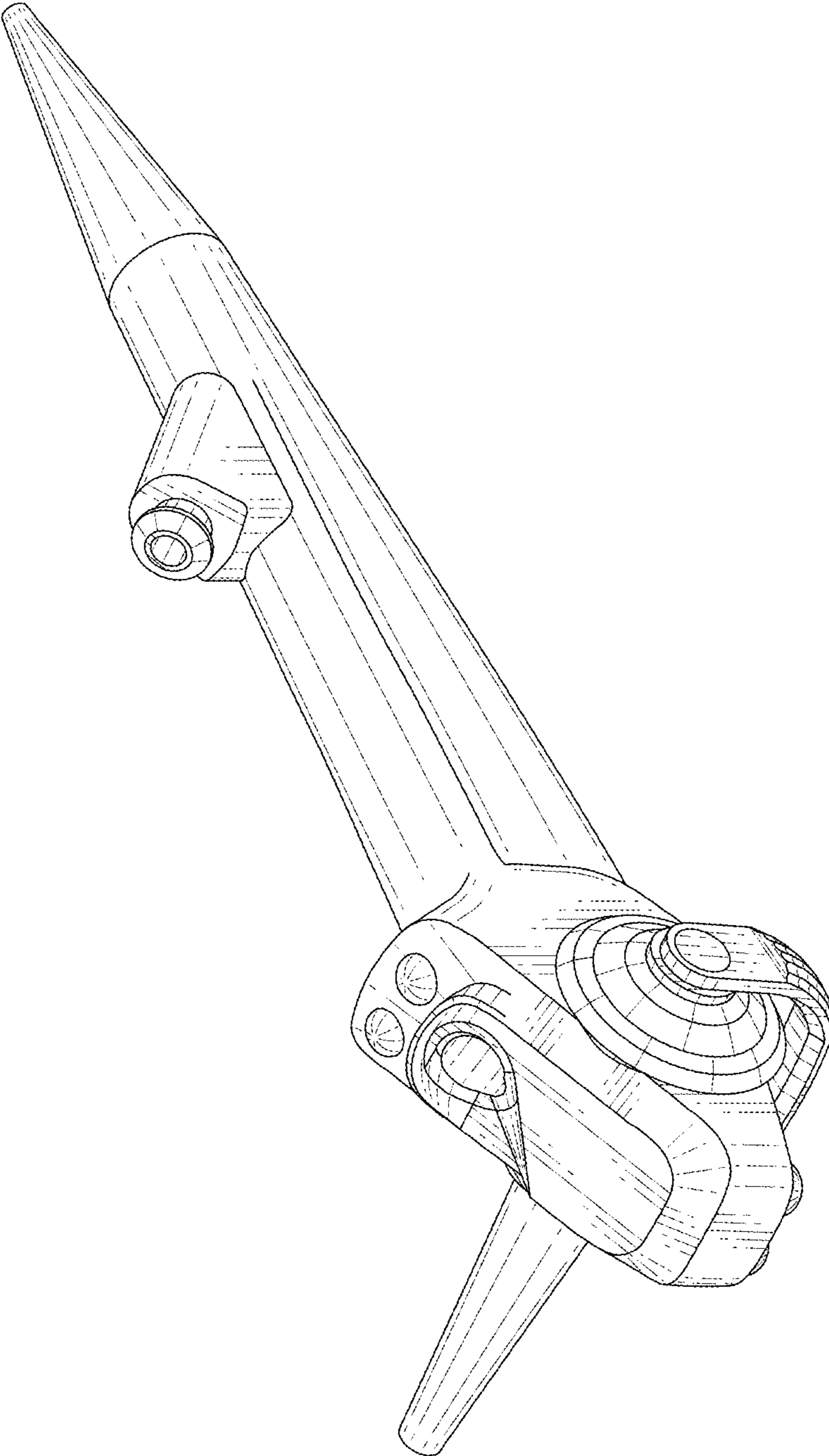


FIG.2

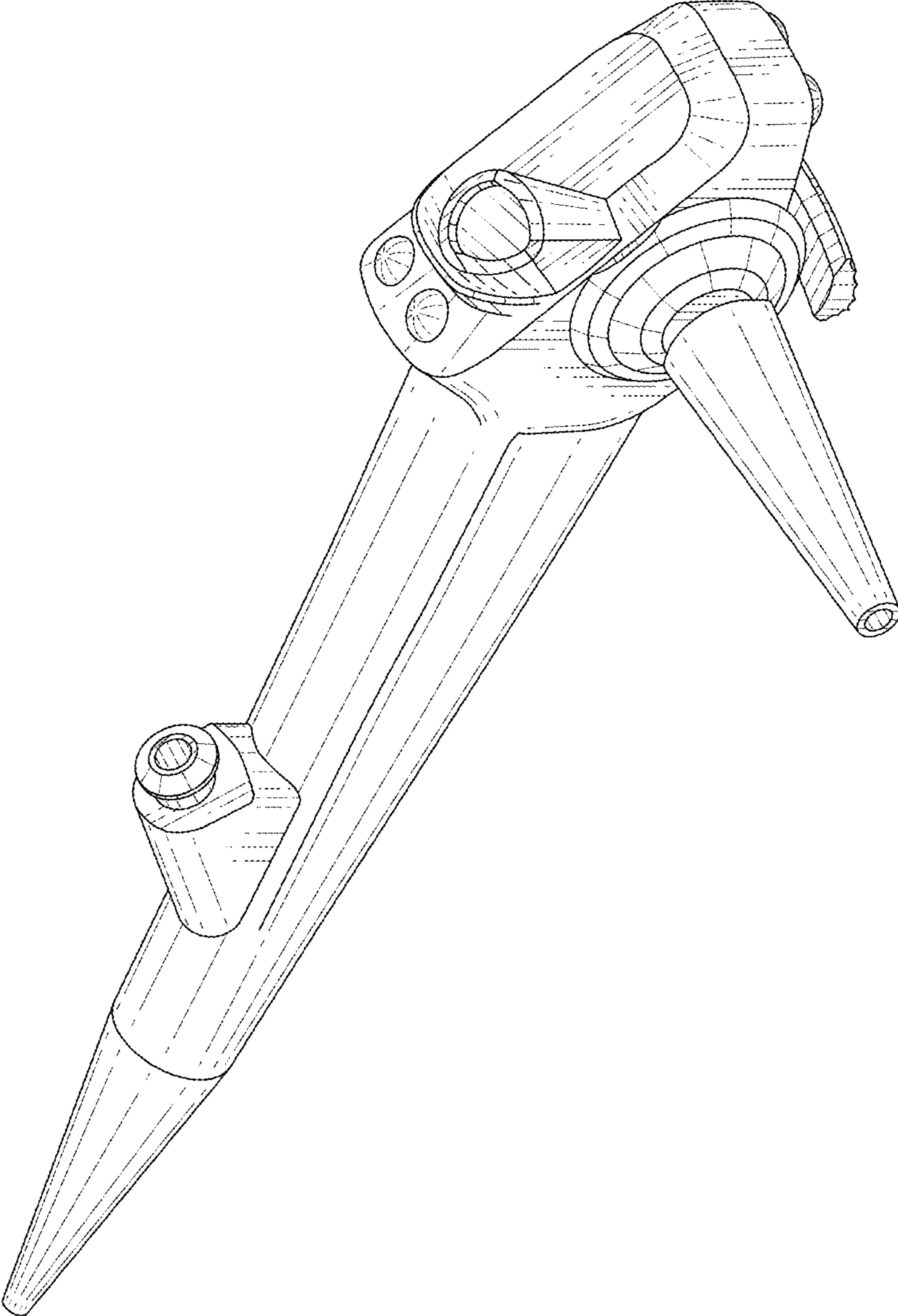


FIG. 3

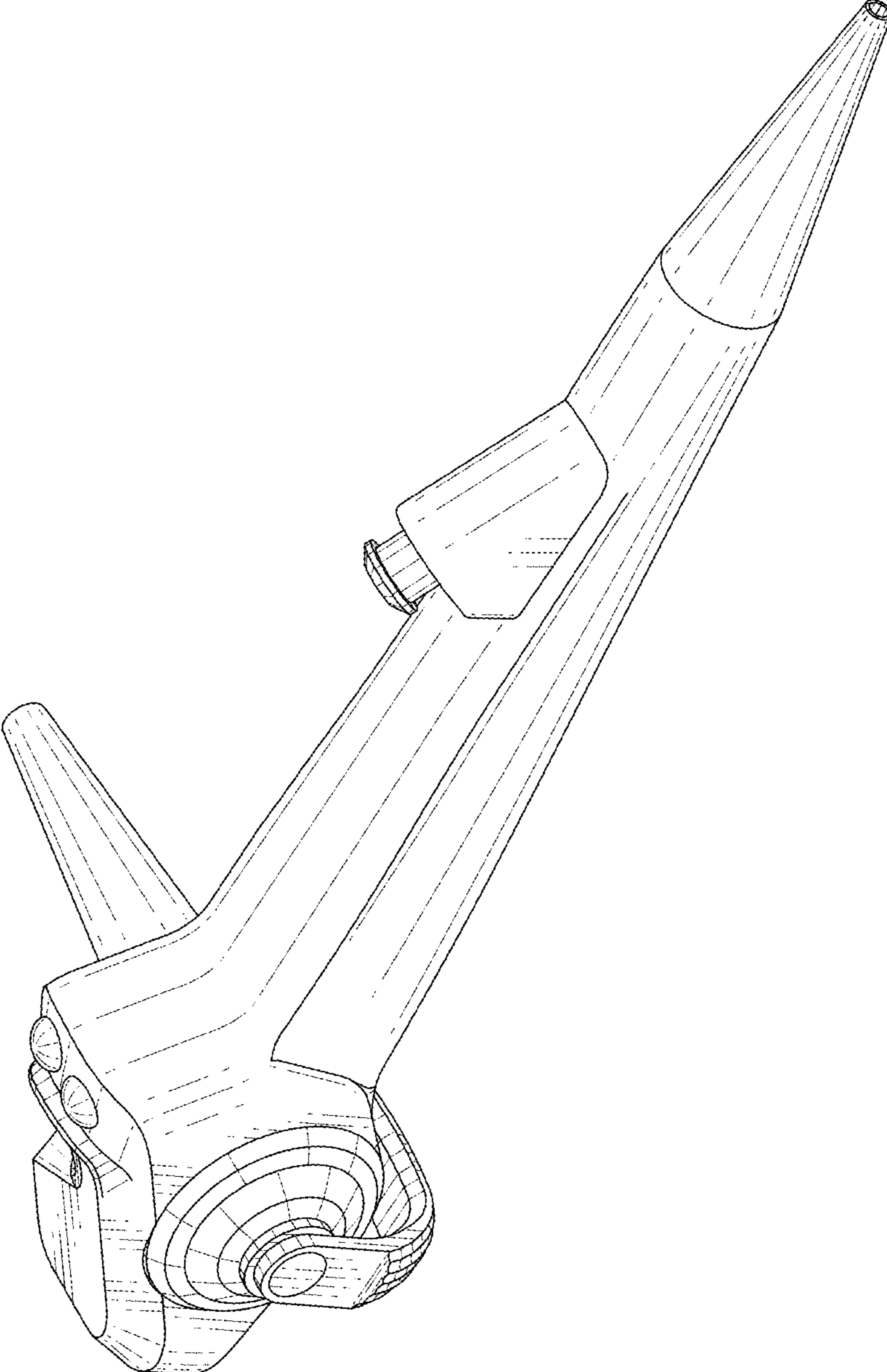


FIG. 4

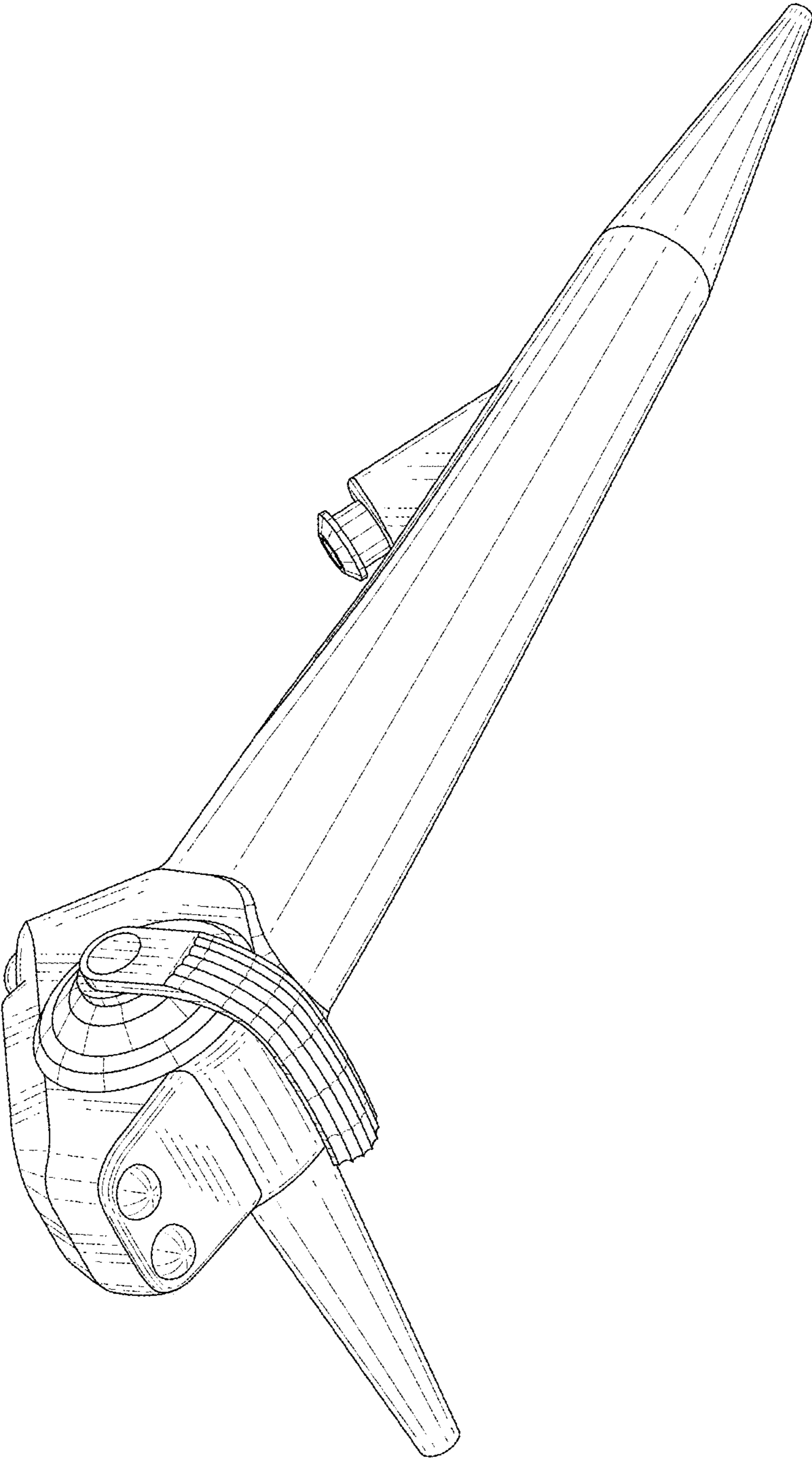


FIG. 5

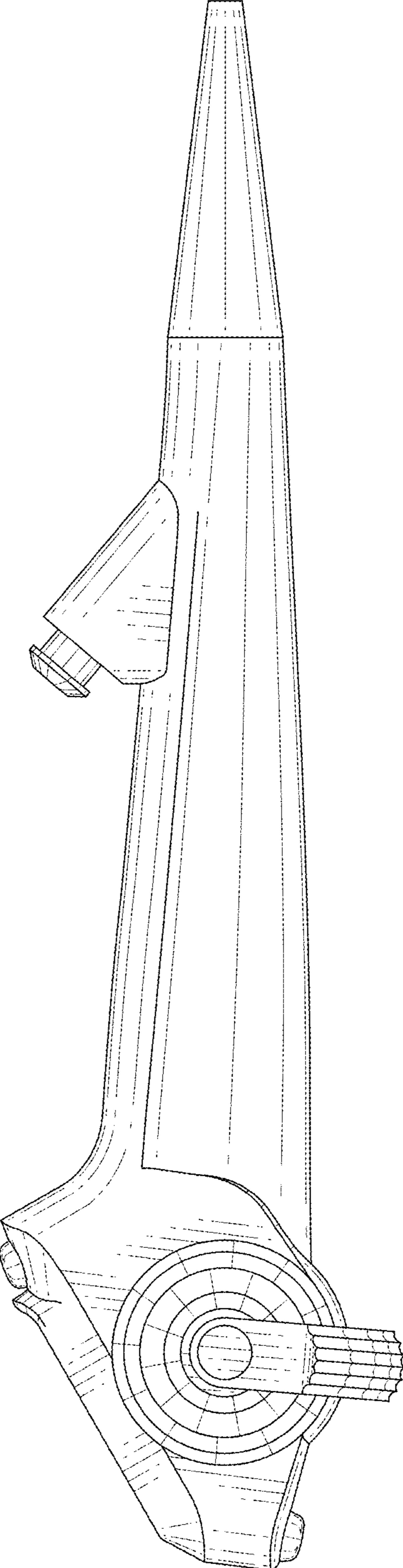


FIG.6

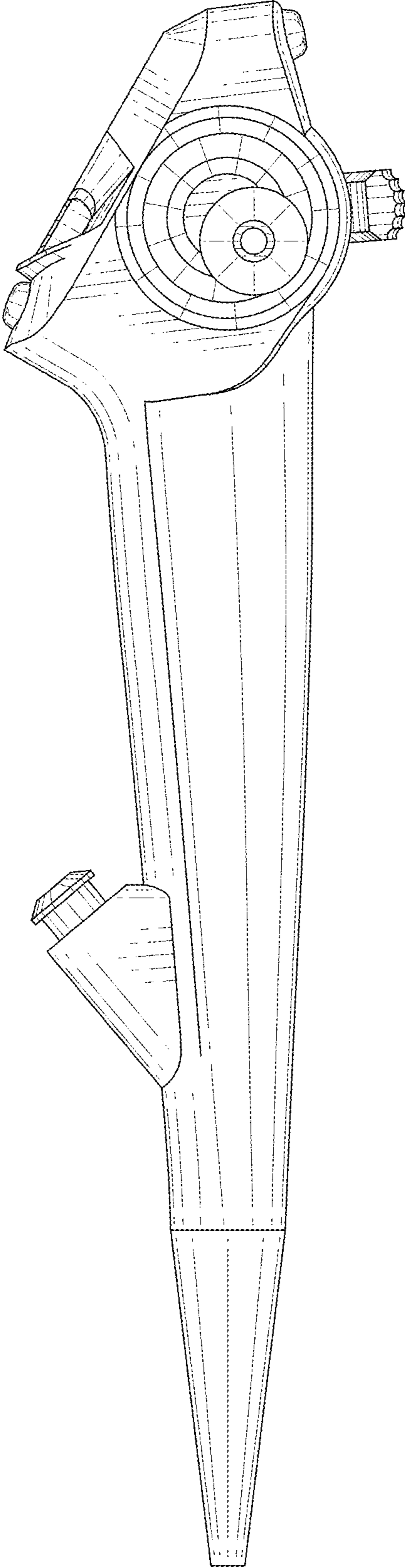


FIG. 7

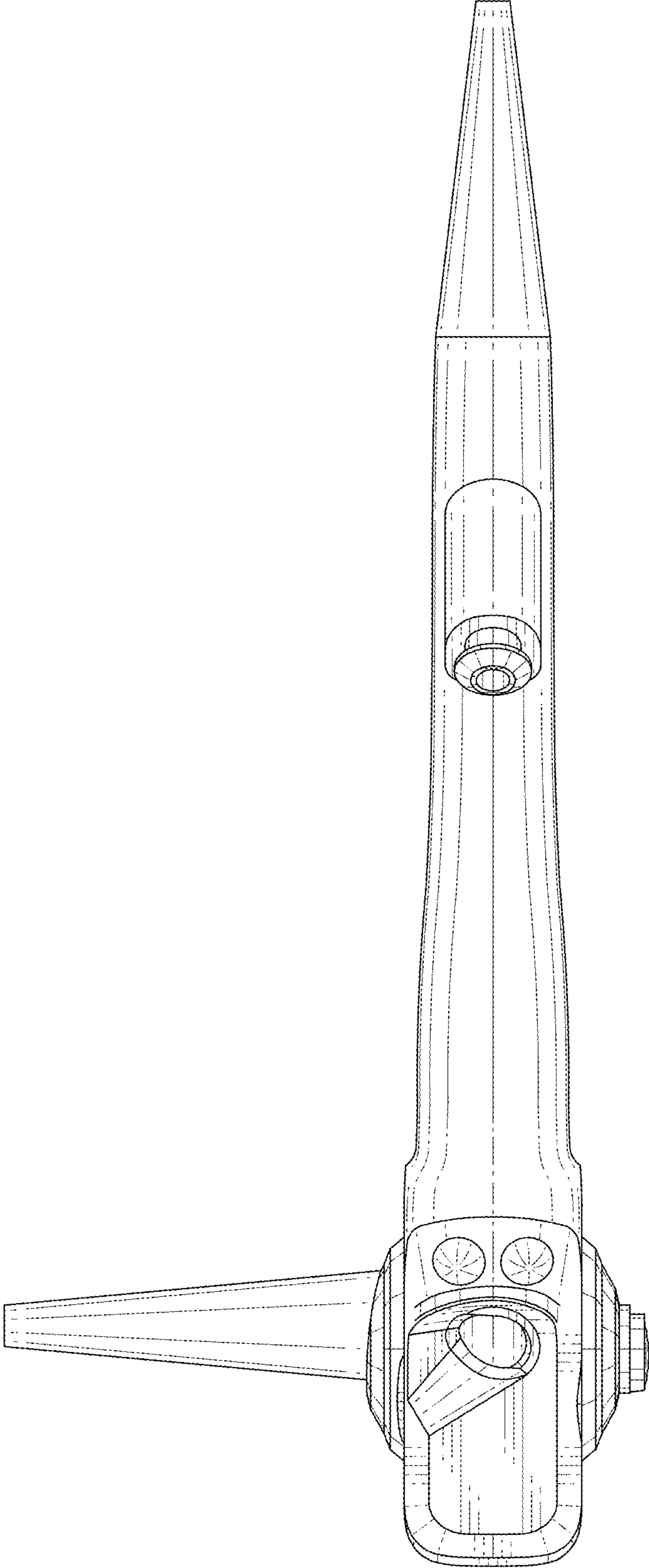


FIG. 8

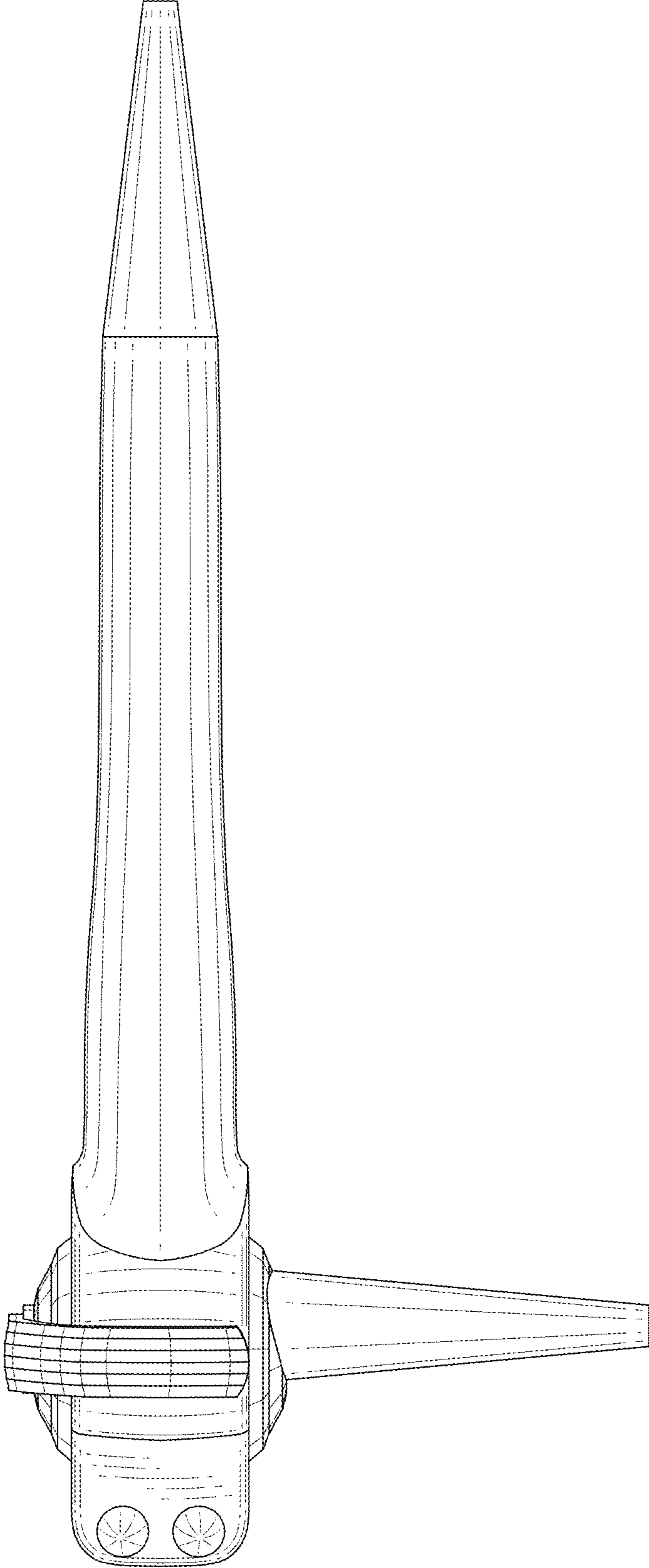


FIG.9

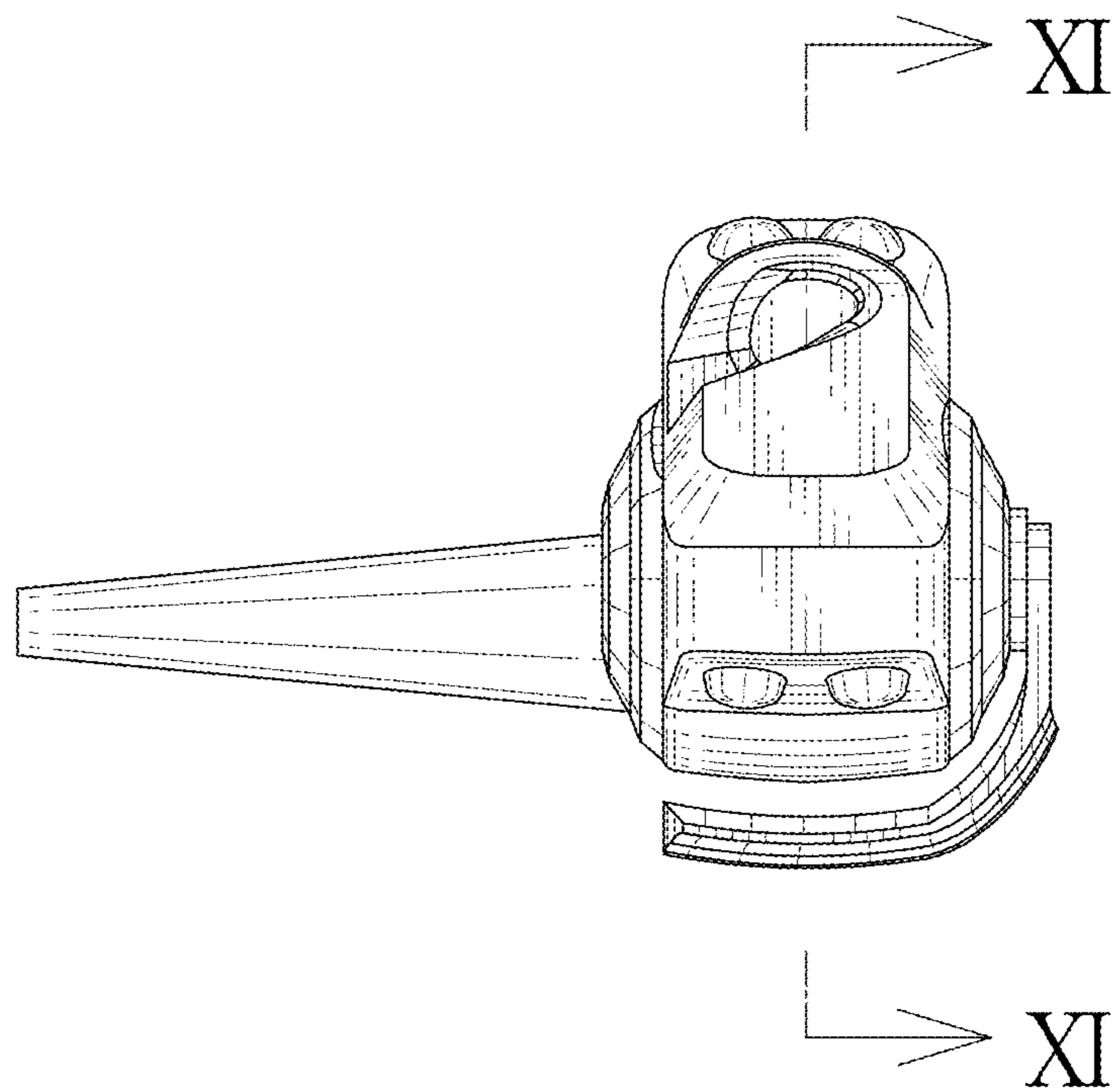


FIG. 10

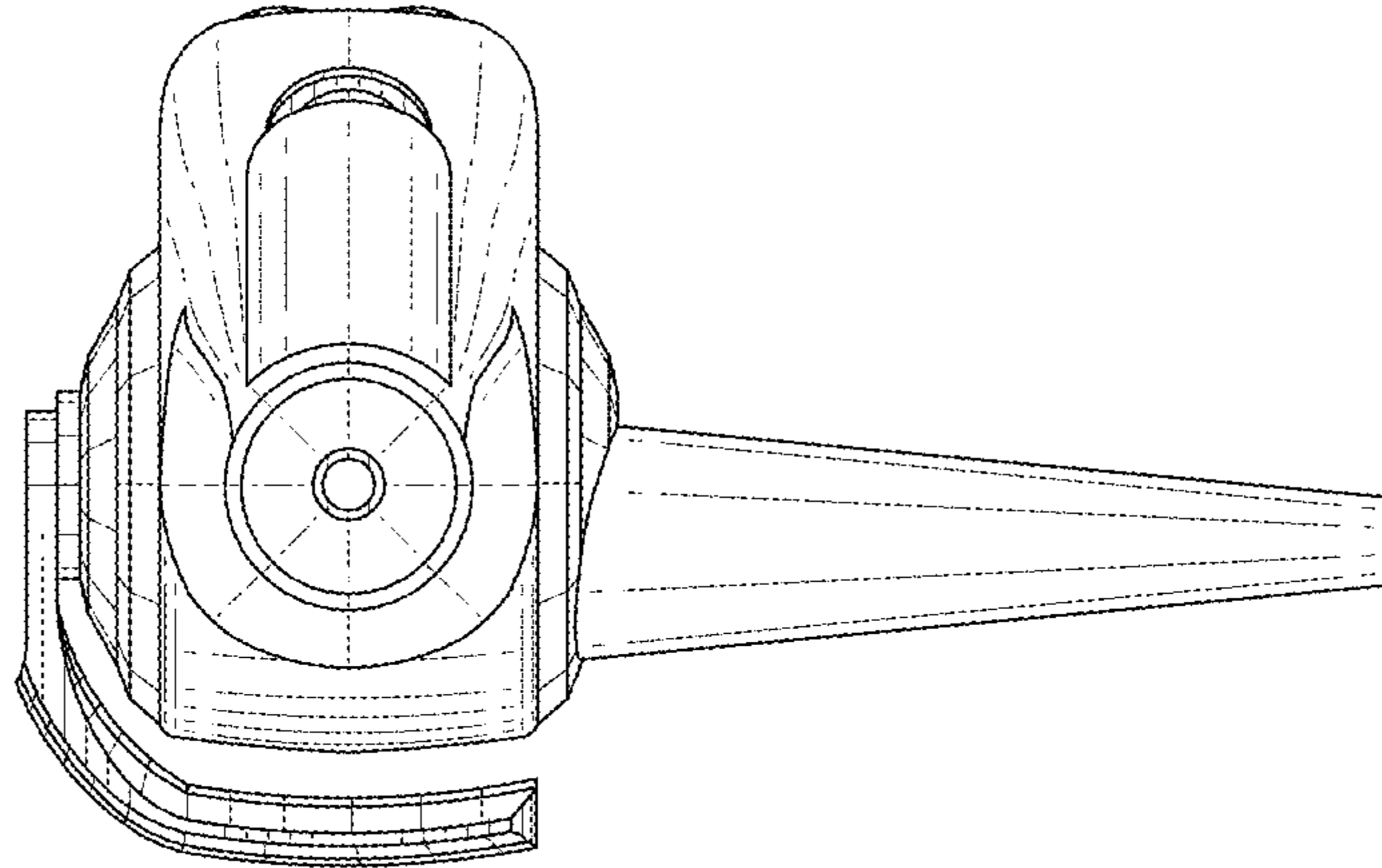


FIG.11

