



US00D909571S

(12) **United States Design Patent** (10) **Patent No.:** **US D909,571 S**
Futami et al. (45) **Date of Patent:** **** Feb. 2, 2021**

(54) **SYRINGE FOR DENTAL USE**

(71) Applicants: **KURARAY NORITAKE DENTAL INC.**, Kurashiki (JP); **YOSHINO KOGYOSHO CO., LTD.**, Koto-ku (JP)

(72) Inventors: **Kengo Futami**, Chiyoda-ku (JP); **Yusuke Fujimura**, Chiyoda-ku (JP); **Yamato Nojiri**, Chiyoda-ku (JP); **Takayuki Sunagawa**, Koto-ku (JP); **Kazuhisa Yoshimura**, Koto-ku (JP)

(73) Assignees: **KURARAY NORITAKE DENTAL INC.**, Kurashiki (JP); **YOSHINO KOGYOSHO CO., LTD.**, Koto-ku (JP)

(**) Term: **15 Years**

(21) Appl. No.: **29/675,734**

(22) Filed: **Jan. 4, 2019**

(30) **Foreign Application Priority Data**

Jul. 6, 2018 (JP) 2018-015021

(51) **LOC (13) Cl.** **24-02**

(52) **U.S. Cl.**
USPC **D24/114**

(58) **Field of Classification Search**
USPC D24/112-114, 108, 133, 130, 127, 186,
D24/152; 606/181, 185; 604/264, 272,
604/187, 181, 184, 227

(Continued)

(56) **References Cited**

U.S. PATENT DOCUMENTS

5,876,384 A * 3/1999 Dragan A61C 17/04
433/91

D472,628 S * 4/2003 Hirayama D24/114
(Continued)

Primary Examiner — David G Muller

(74) *Attorney, Agent, or Firm* — Oblon, McClelland, Maier & Neustadt, L.L.P.

(57) **CLAIM**

The ornamental design for a syringe for dental use, as shown and described.

DESCRIPTION

FIG. 1 is a front elevational view of a syringe for dental use, the rear elevational view being a mirror image of the front elevational view;

FIG. 2 is a top plan view thereof;

FIG. 3 is a bottom plan view thereof;

FIG. 4 is an enlarged left side elevational view thereof;

FIG. 5 is an enlarged right side elevational view thereof;

FIG. 6 is a cross-sectional view along line 6-6 in FIG. 4;

FIG. 7 is a front elevational view thereof prior to use, the rear elevational view prior to use being a mirror image of the front elevational view prior to use;

FIG. 8 is a top plan view thereof prior to use;

FIG. 9 is a bottom plan view thereof prior to use;

FIG. 10 is an enlarged left side elevational view thereof prior to use;

FIG. 11 is a cross-sectional view along line 11-11 in FIG. 10;

FIG. 12 is a front elevational view thereof after use, the rear elevational view after use being a mirror image of the front elevational view after use;

FIG. 13 is a top plan view thereof after use;

FIG. 14 is a bottom plan view thereof after use;

FIG. 15 is an enlarged left side elevational view thereof after use;

FIG. 16 is a cross-sectional view along line 16-16 in FIG. 15;

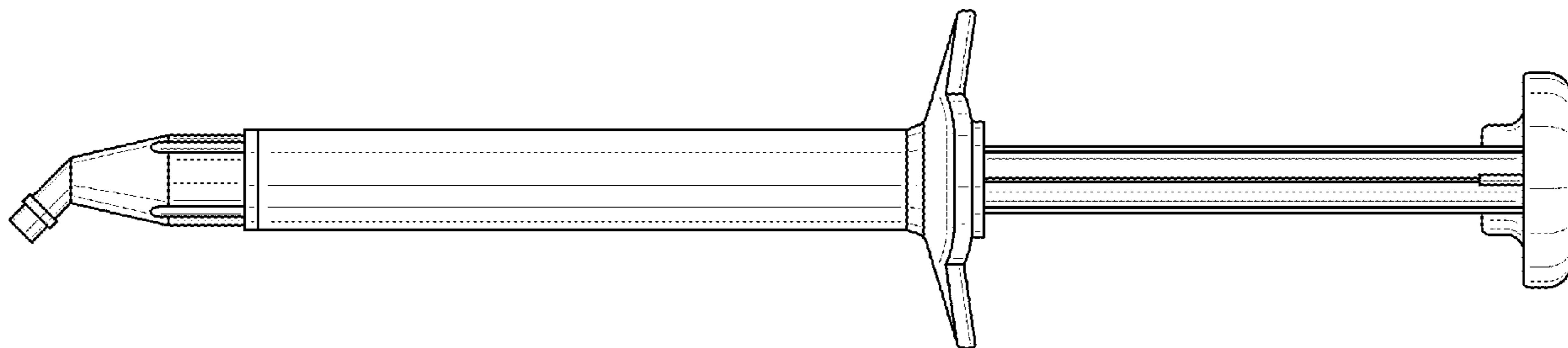
FIG. 17 is a front elevational view of a plunger thereof;

FIG. 18 is a top plan view of the plunger thereof;

FIG. 19 is a cross-sectional view along line 19-19 in FIG. 17; and,

FIG. 20 is a view of the section at line 19-19 in FIG. 17.

1 Claim, 20 Drawing Sheets



(58) **Field of Classification Search**

CPC A61M 5/178; A61M 3/00; A61M 5/20;
A61M 5/31; A61M 5/3146; A61M
5/3129; A61M 5/3148

See application file for complete search history.

(56) **References Cited**

U.S. PATENT DOCUMENTS

| | | | | | |
|----------|---|---|---------|----------------------|---------|
| D556,320 | S | * | 11/2007 | Boclet | D24/114 |
| D556,903 | S | * | 12/2007 | Bloc | D24/114 |
| D618,347 | S | * | 6/2010 | Bradshaw | D24/108 |
| D681,808 | S | * | 5/2013 | Holaschke | D24/114 |
| D718,440 | S | * | 11/2014 | Besse | D24/133 |
| D730,515 | S | * | 5/2015 | Shahidi Bonjar | D24/114 |
| D737,958 | S | * | 9/2015 | Pieroni | D24/112 |
| D774,908 | S | * | 12/2016 | Eckstein | D24/130 |
| D809,123 | S | * | 1/2018 | Ishikawa | D24/108 |
| D832,422 | S | * | 10/2018 | Kohler | D24/111 |
| D833,610 | S | * | 11/2018 | Pieroni | D24/152 |

* cited by examiner

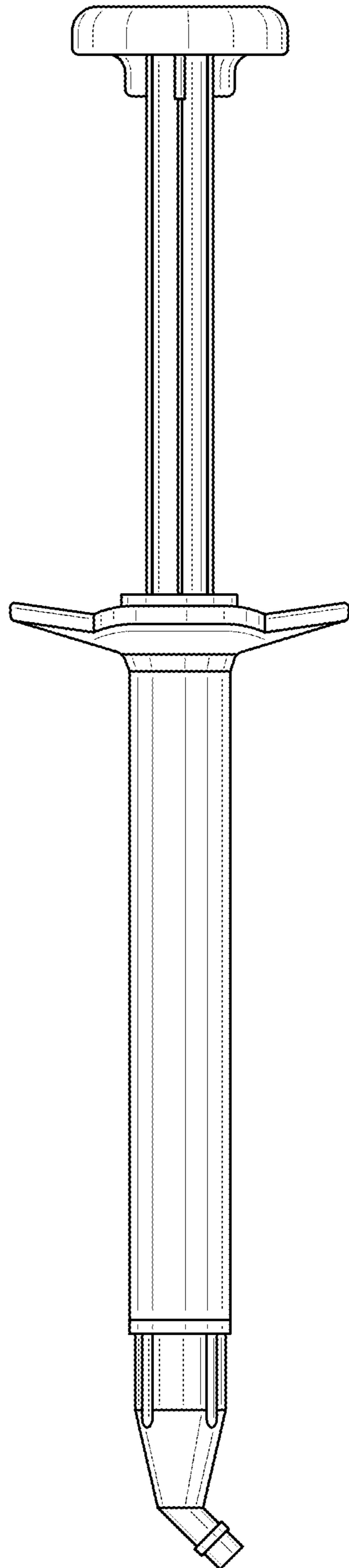


FIG. 1

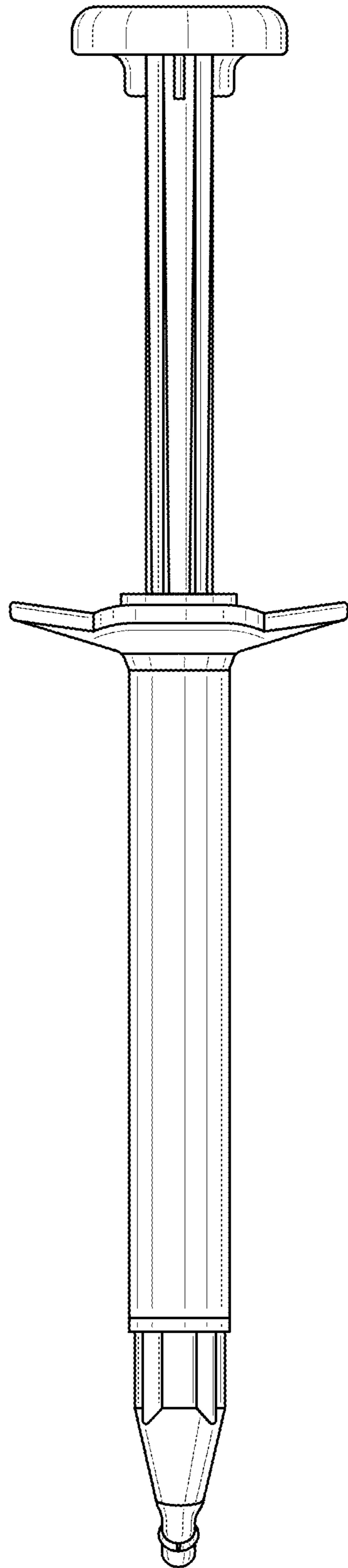


FIG. 2

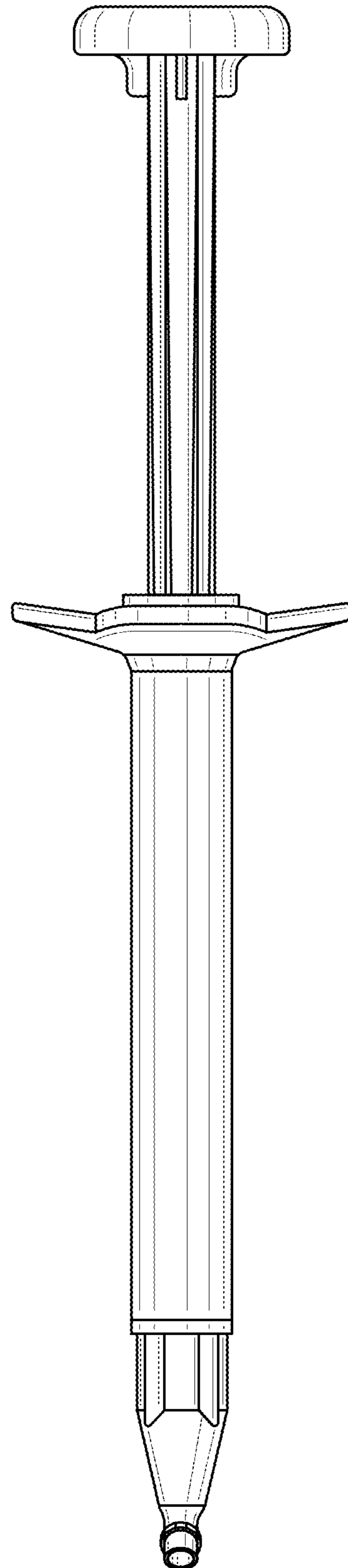


FIG. 3

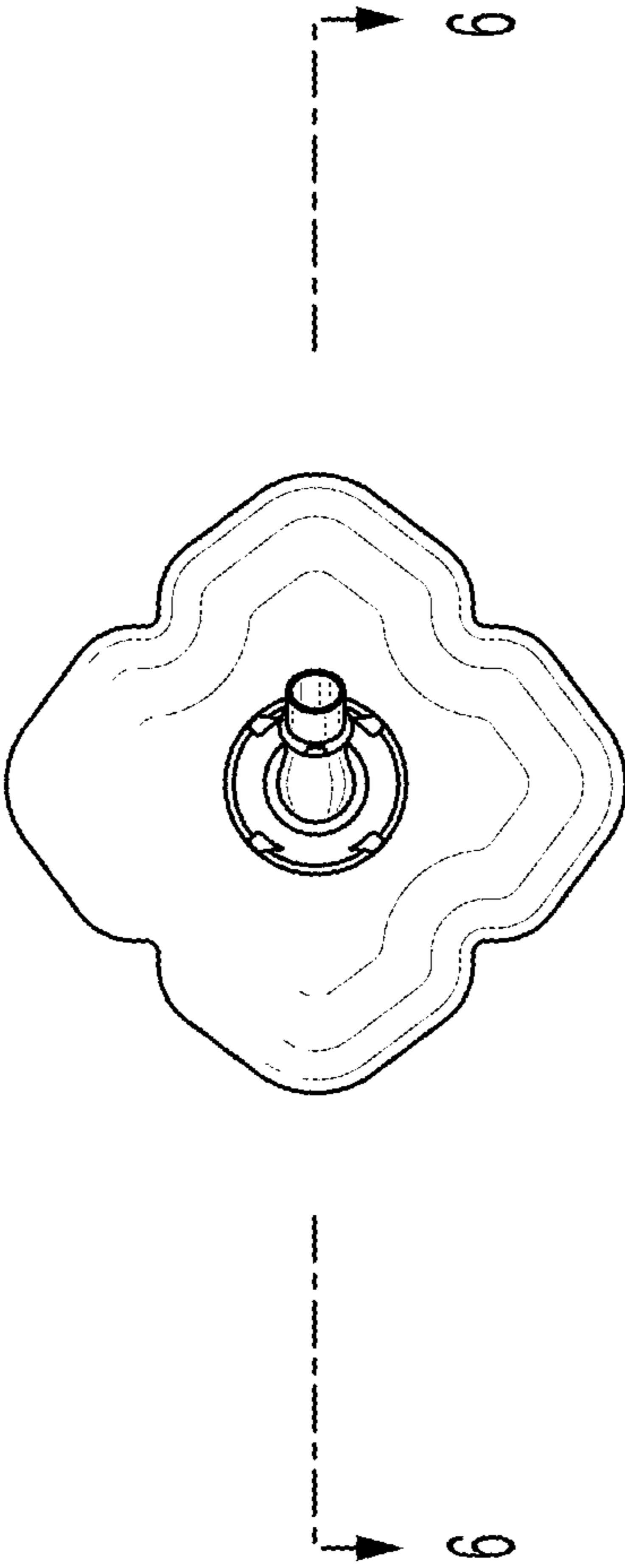


FIG. 4

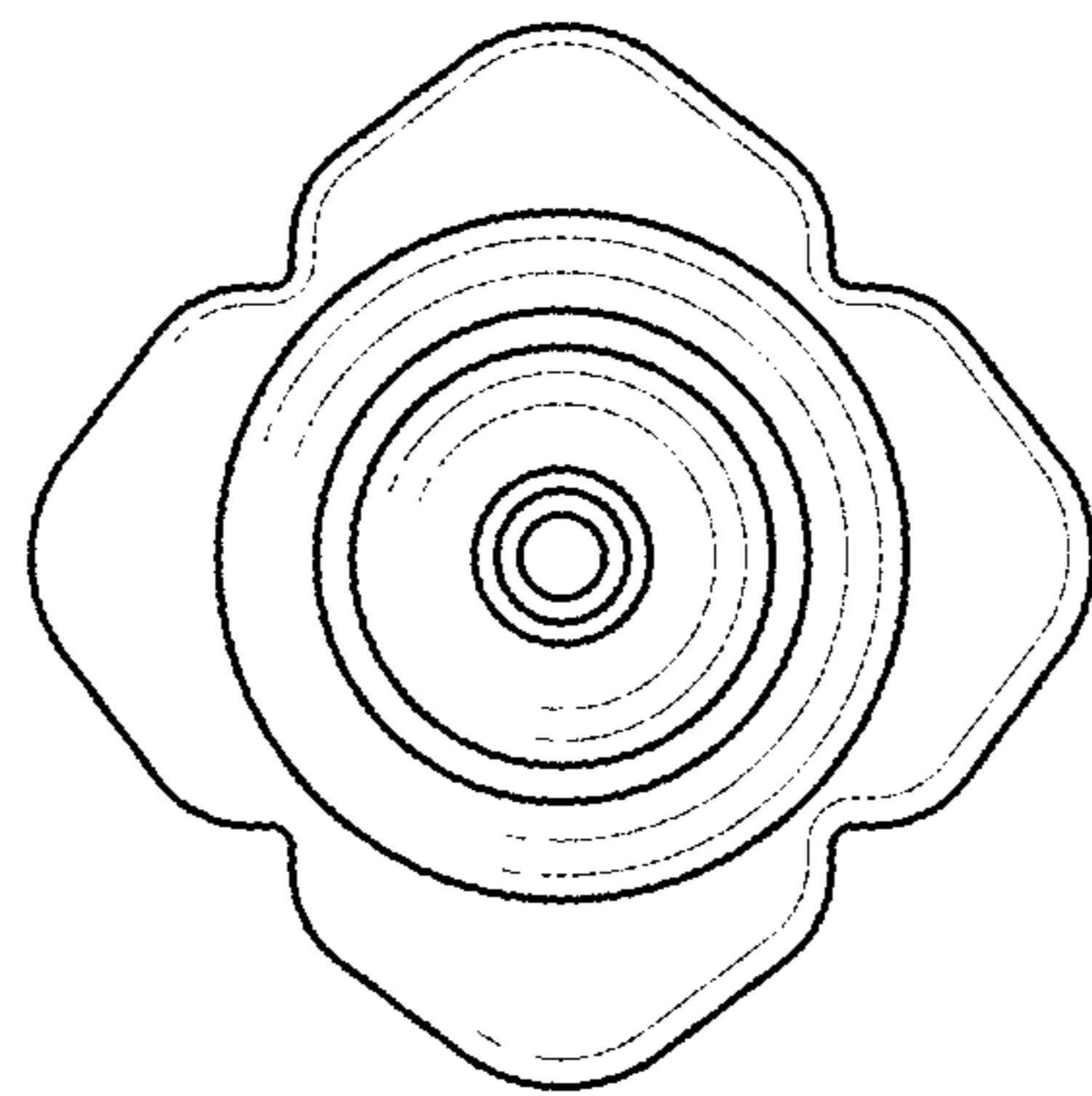


FIG. 5

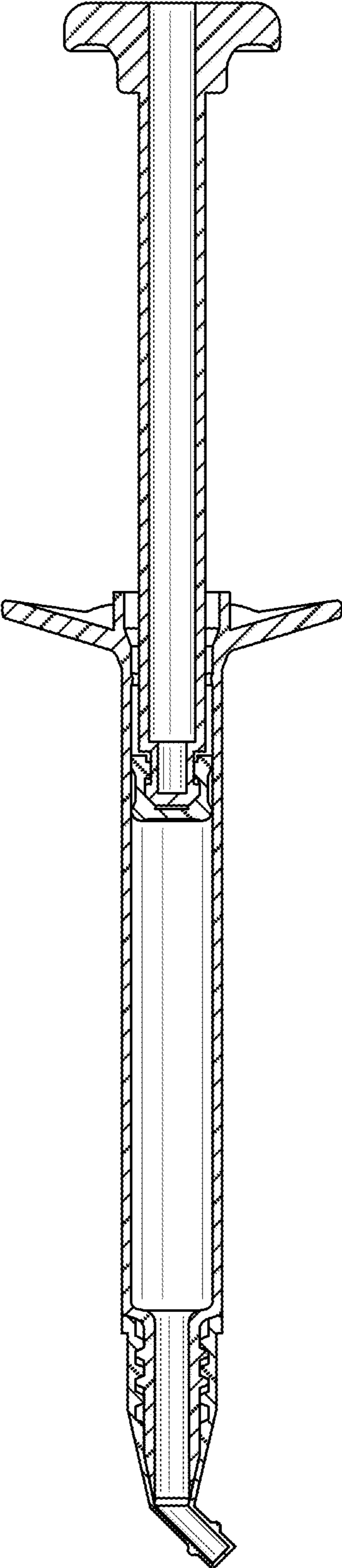


FIG. 6

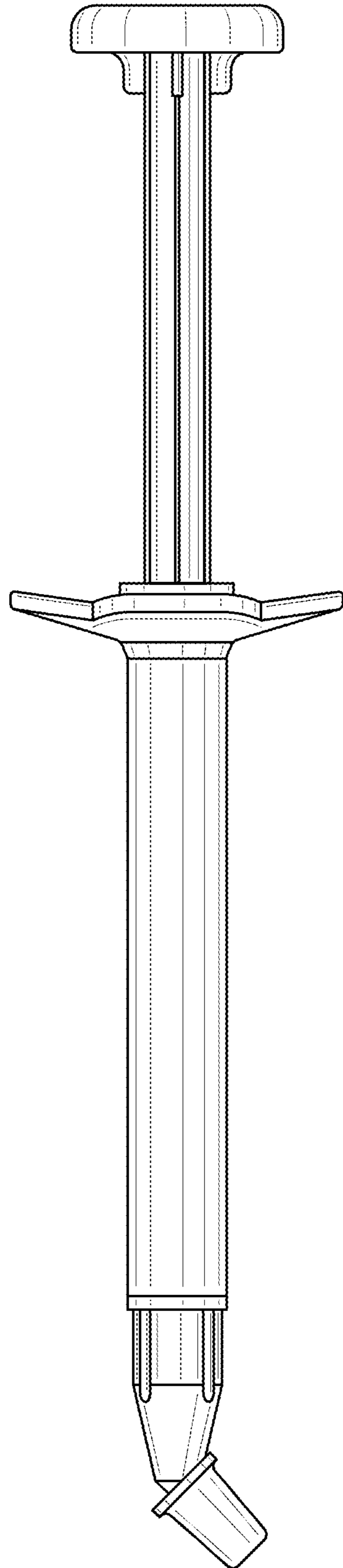


FIG. 7

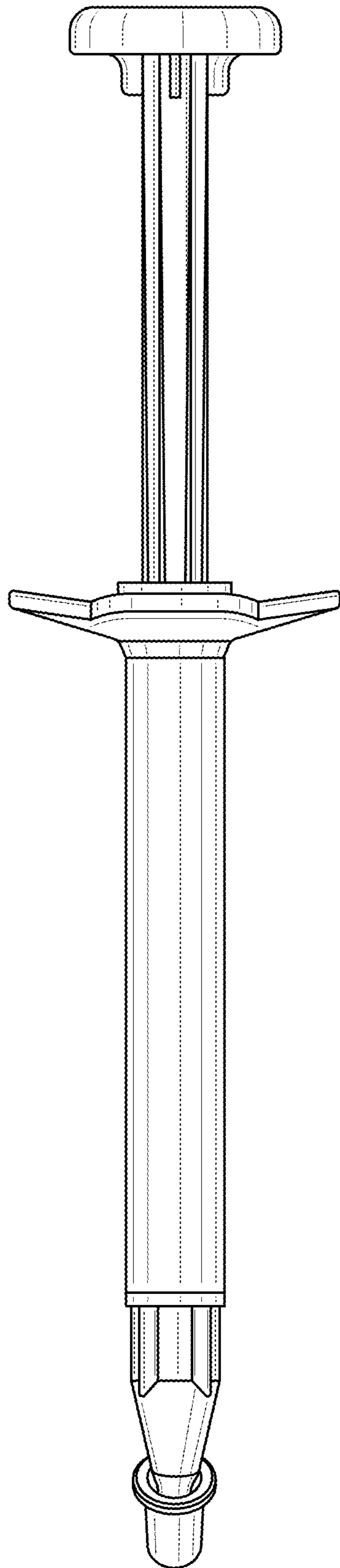


FIG. 8

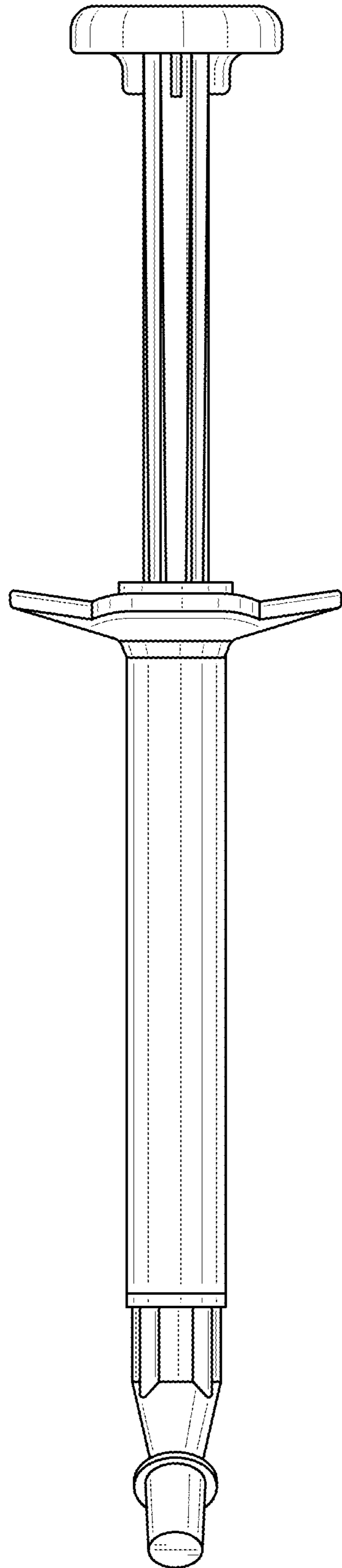


FIG. 9

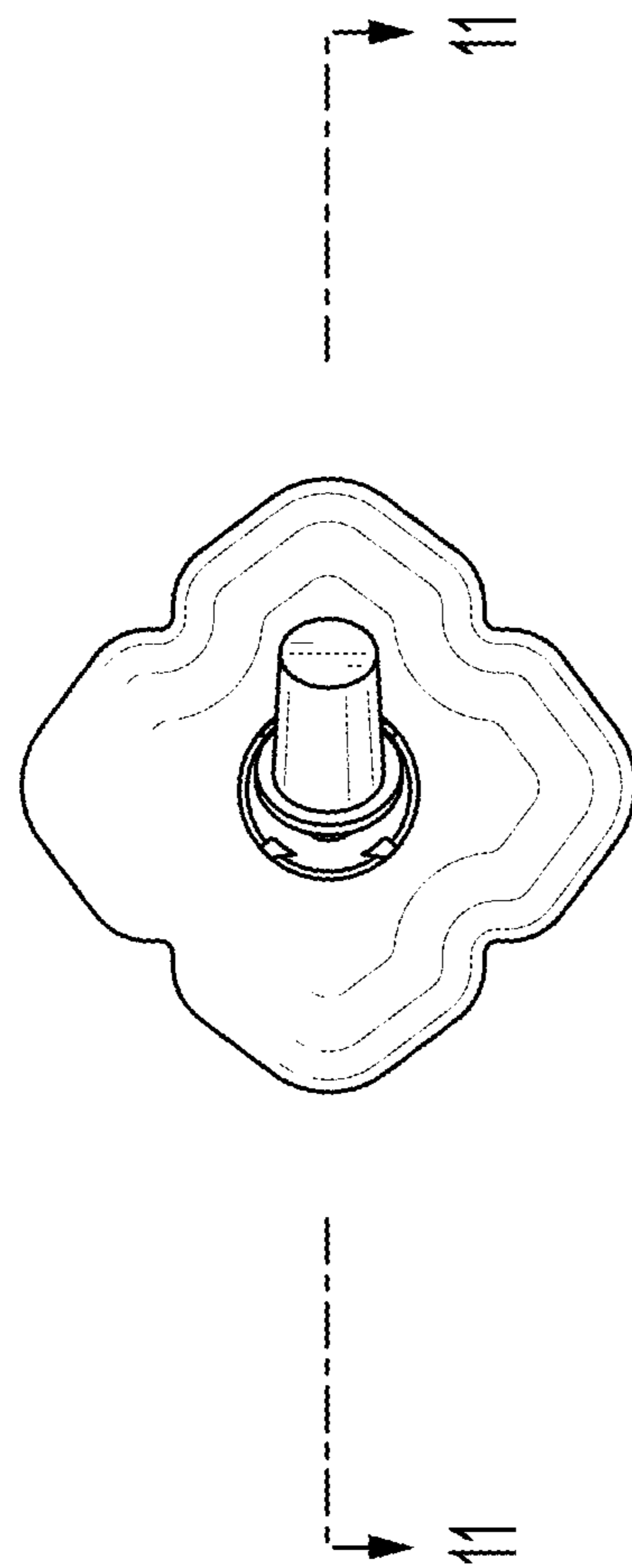


FIG. 10

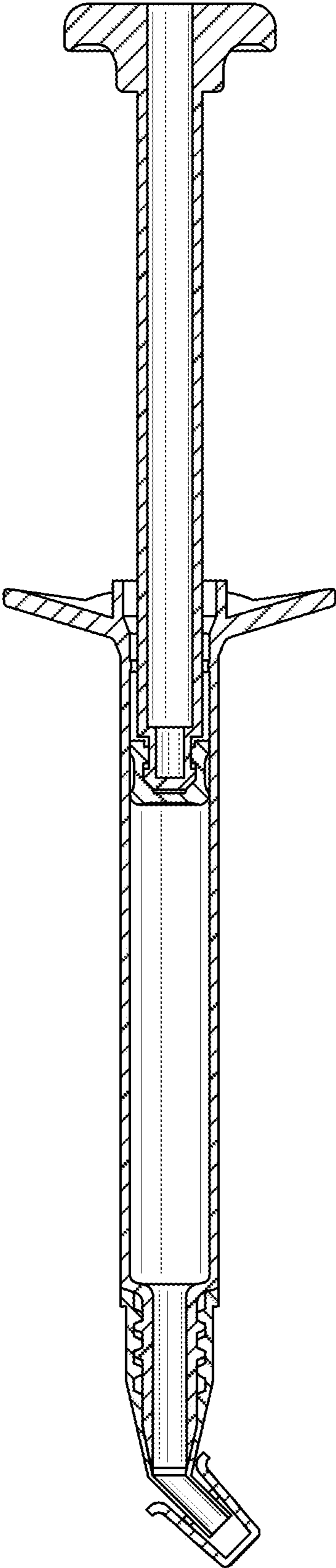


FIG. 11

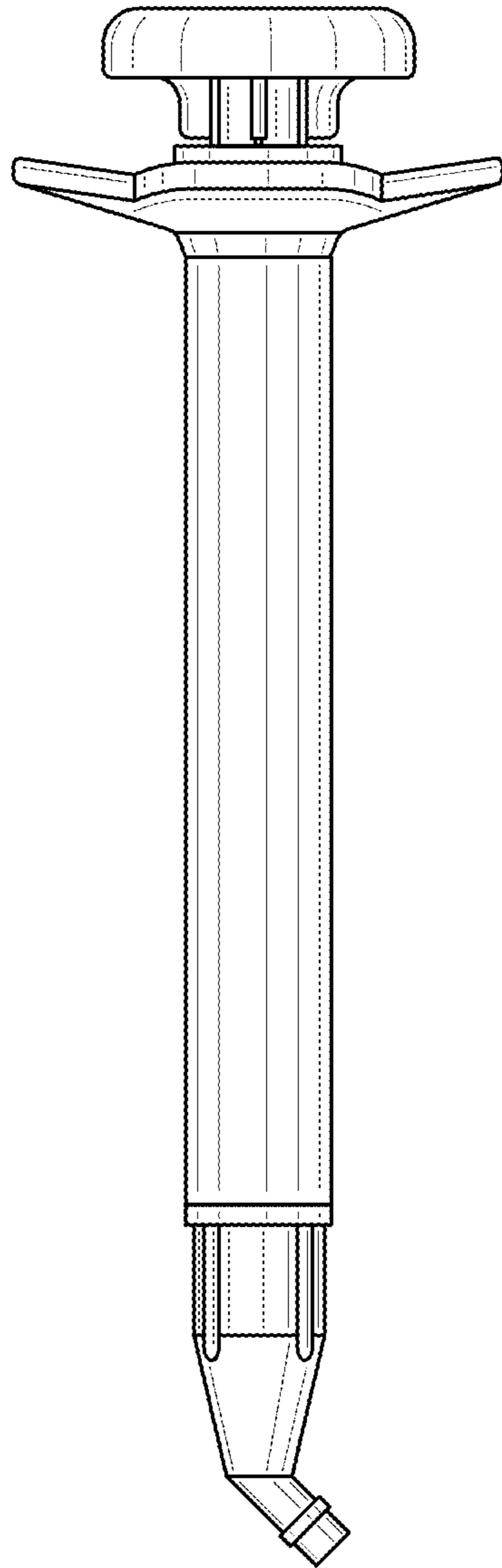


FIG. 12

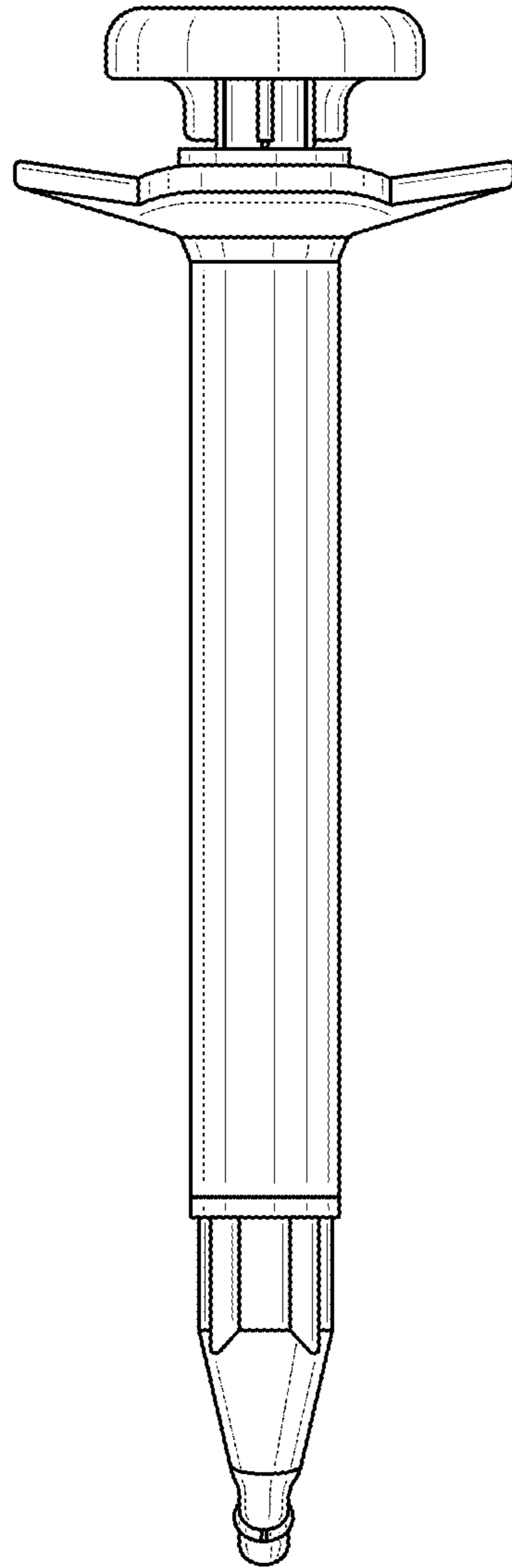


FIG. 13

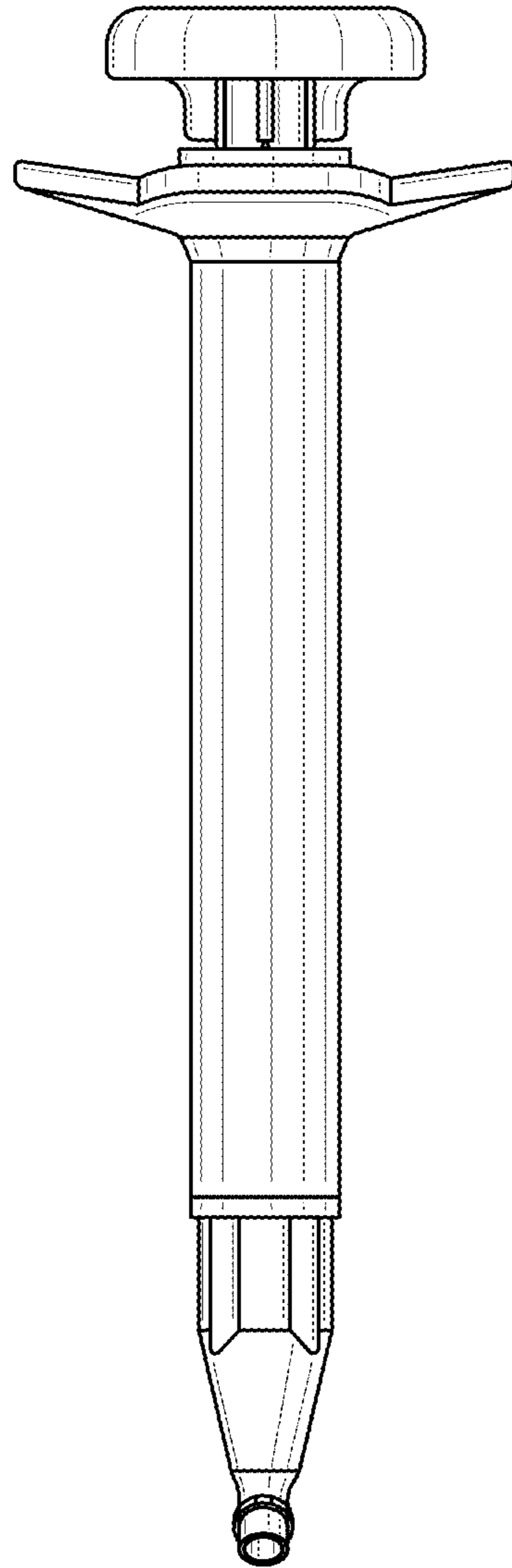


FIG. 14

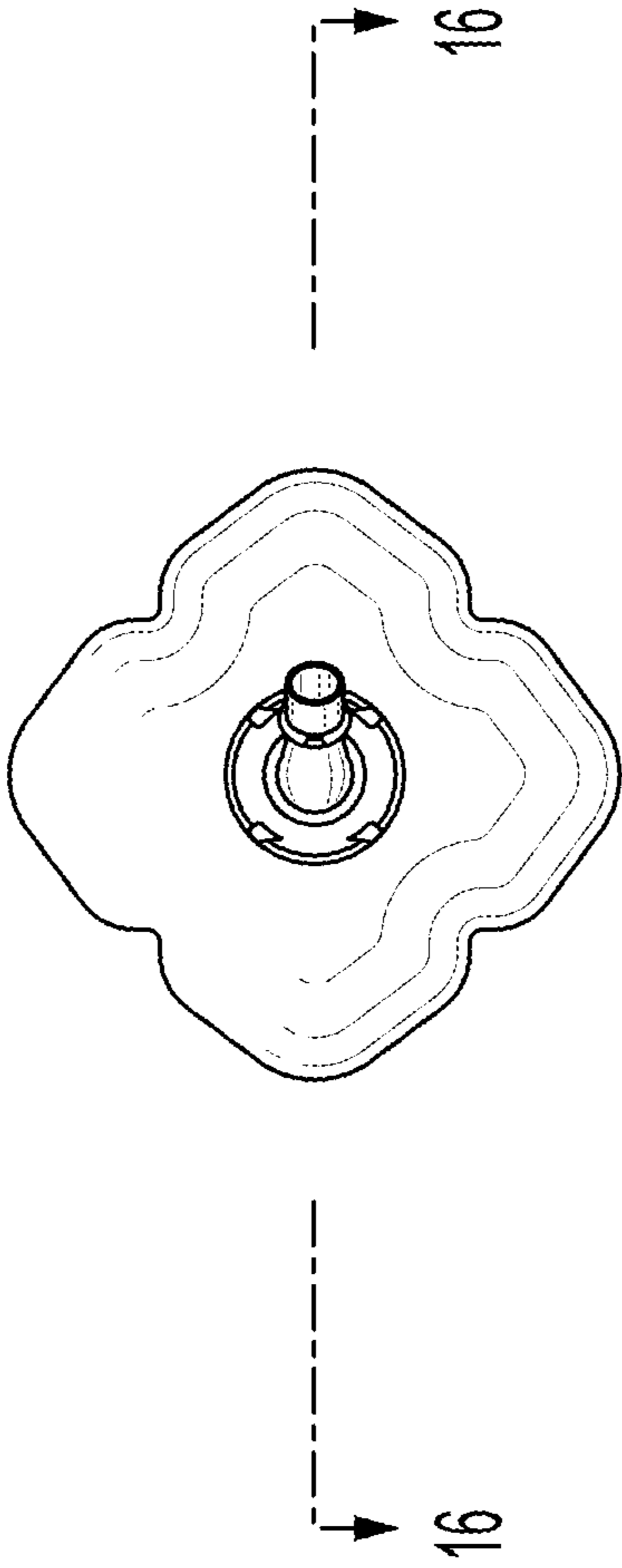


FIG. 15

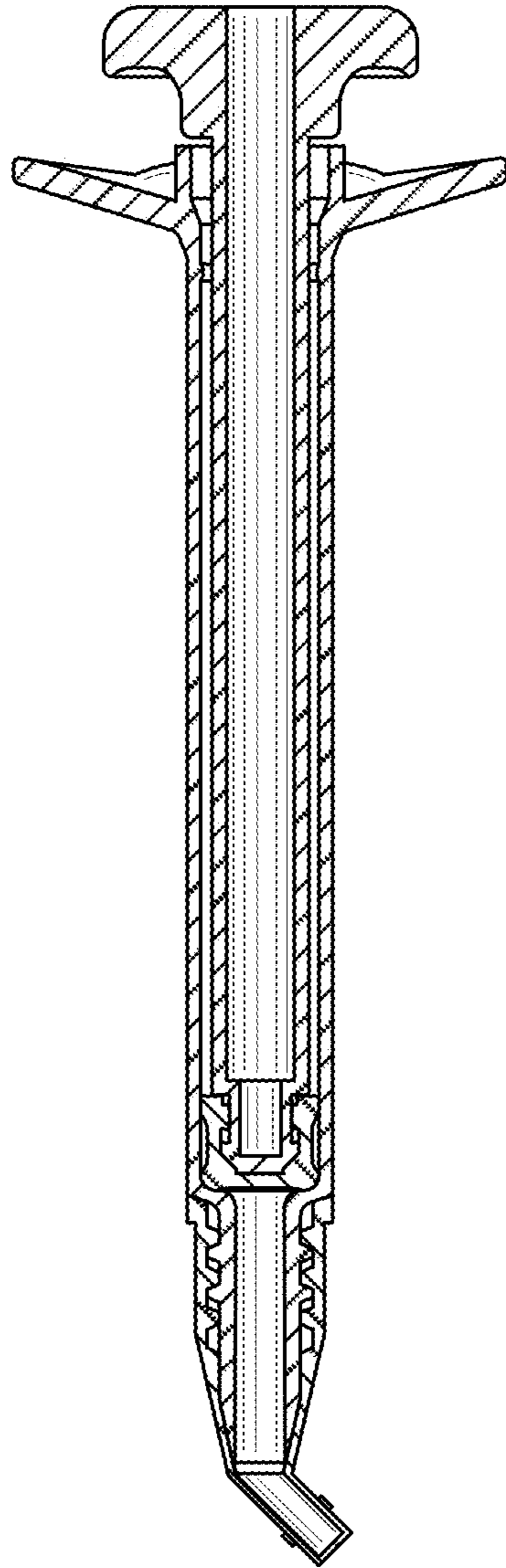


FIG. 16

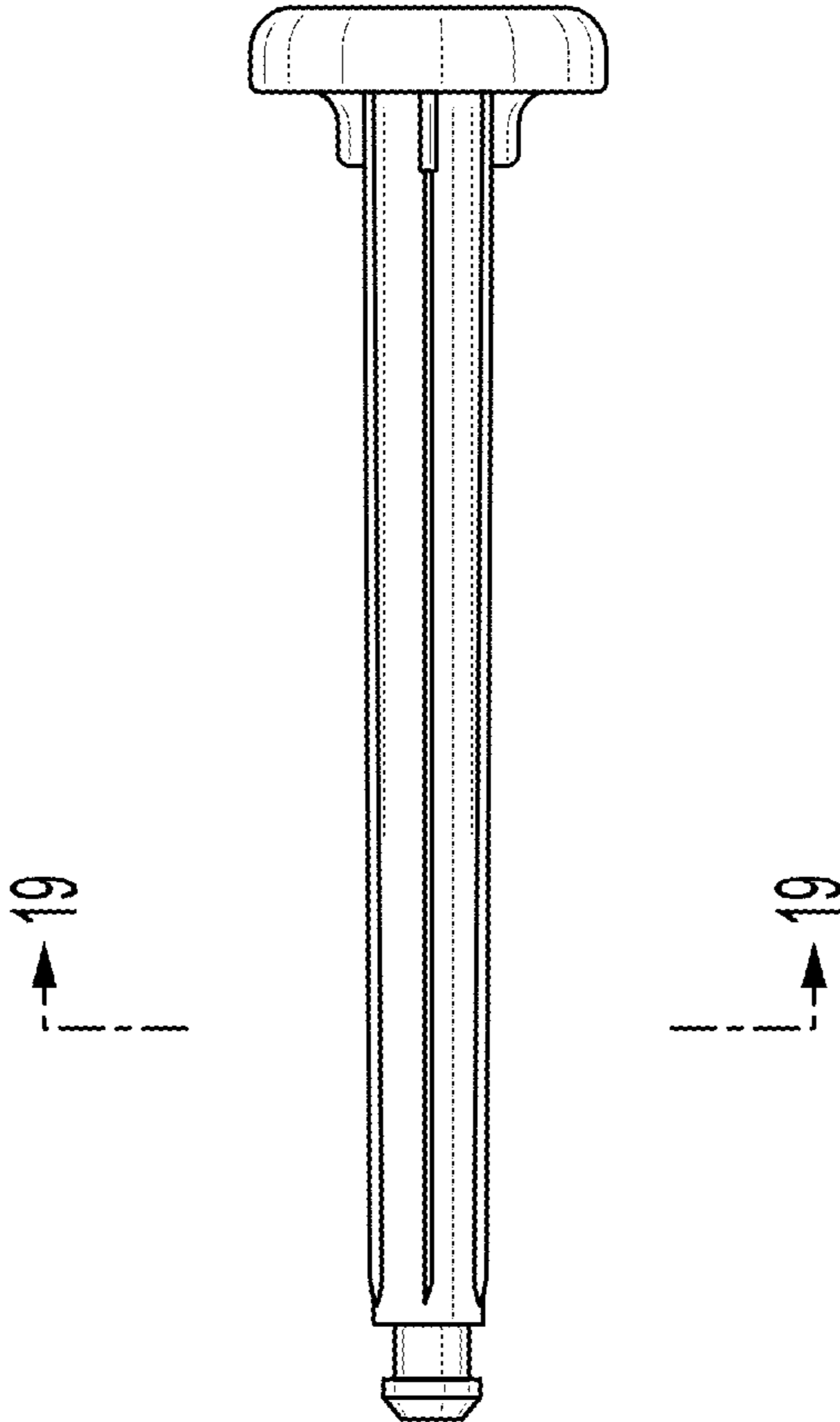


FIG. 17

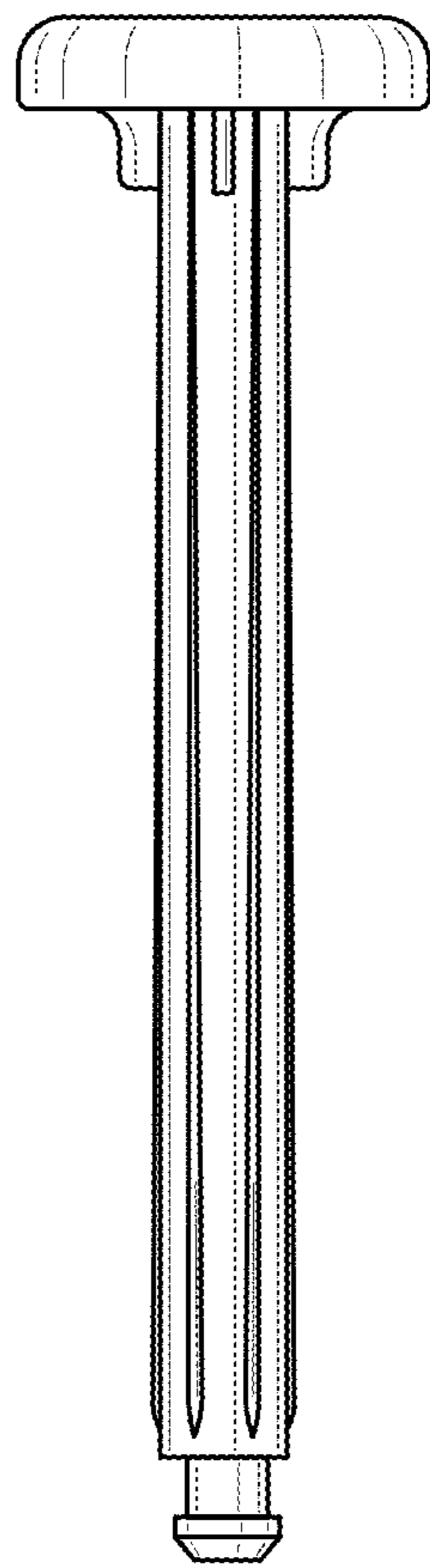


FIG. 18

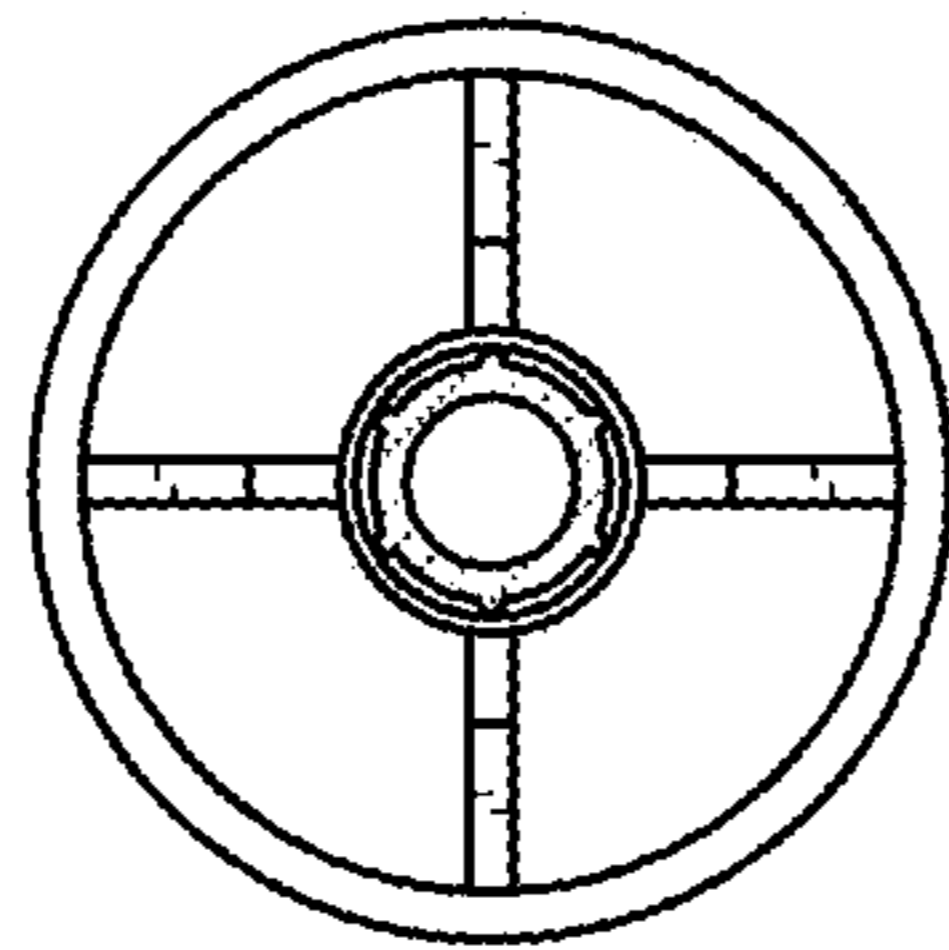


FIG. 19



FIG. 20