



US00D909570S

(12) **United States Design Patent** (10) **Patent No.:** **US D909,570 S**
Ahmad et al. (45) **Date of Patent:** **** Feb. 2, 2021**

(54) **DELIVERY DEVICE FOR HEMOSTATIC COMPOSITIONS**

(71) Applicant: **Cresilon, Inc.**, Brooklyn, NY (US)

(72) Inventors: **Omar Ahmad**, Brooklyn, NY (US);
Jonathan Lee, Brooklyn, NY (US);
Matthew Swift, Detroit, MI (US);
Joseph Landolina, Brooklyn, NY (US)

(73) Assignee: **CRESILON, INC.**, Brooklyn, NY (US)

(**) Term: **15 Years**

(21) Appl. No.: **29/640,318**

(22) Filed: **Mar. 13, 2018**

(51) **LOC (13) Cl.** **24-02**

(52) **U.S. Cl.**
USPC **D24/114**

(58) **Field of Classification Search**
USPC D24/112–114, 108, 133, 130, 127, 186;
606/181, 185; 604/264, 272, 187, 181,
604/184, 227

(Continued)

(56) **References Cited**

U.S. PATENT DOCUMENTS

D445,176 S * 7/2001 Landers D24/108
D447,797 S * 9/2001 Odell D24/112

(Continued)

Primary Examiner — David G Muller

(74) *Attorney, Agent, or Firm* — Sheppard, Mullin,
Richter & Hampton LLP

(57) **CLAIM**

We claim the ornamental design for a delivery device for hemostatic compositions embodying the new design, as shown and described.

DESCRIPTION

FIG. 1 is a first perspective view of a delivery device for hemostatic compositions with a cap removed embodying the new design.

FIG. 2 is a front view of the delivery device for hemostatic compositions with a cap removed embodying the new design.

FIG. 3 is a rear view of the delivery device for hemostatic compositions with a cap removed embodying the new design.

FIG. 4 is a first side view of the delivery device for hemostatic compositions with a cap removed embodying the new design.

FIG. 5 is a second side view of the delivery device for hemostatic compositions with a cap removed embodying the new design.

FIG. 6 is a top view of the delivery device for hemostatic compositions with a cap removed embodying the new design.

FIG. 7 is a bottom view of the delivery device for hemostatic compositions with a cap removed embodying the new design.

FIG. 8 is a perspective view of the delivery device for hemostatic compositions with a cap attached embodying the new design.

FIG. 9 is a front view of the delivery device for hemostatic compositions with a cap attached embodying the new design.

FIG. 10 is a rear view of the delivery device for hemostatic compositions with a cap attached embodying the new design.

FIG. 11 is a first side view of the delivery device for hemostatic compositions with a cap attached embodying the new design.

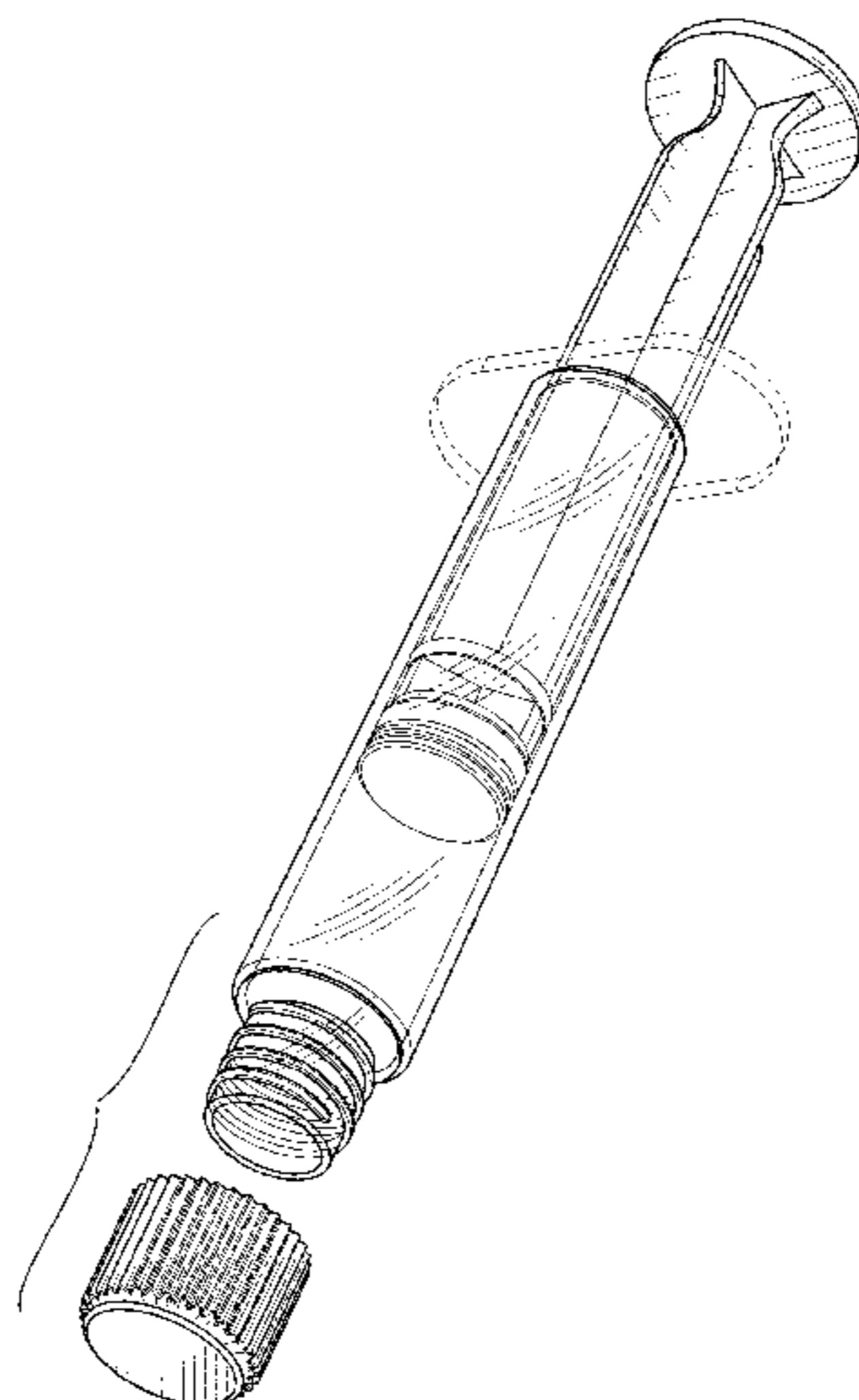
FIG. 12 is a second side view of the delivery device for hemostatic compositions with a cap attached embodying the new design.

FIG. 13 is a top view of the delivery device for hemostatic compositions with a cap attached embodying the new design; and,

FIG. 14 is a bottom view of the delivery device for hemostatic compositions with a cap attached embodying the new design.

The dashed lines are for illustrative purposes only and form no part of the claimed design.

1 Claim, 8 Drawing Sheets



(58) **Field of Classification Search**

CPC A61M 5/178; A61M 3/00; A61M 5/20;
A61M 5/31; A61M 5/3146; A61M
5/3129; A61M 5/3148; A61M 5/315
See application file for complete search history.

(56) **References Cited**

U.S. PATENT DOCUMENTS

| | | | | | | |
|-----------|----|---|---------|----------|-------|------------------------|
| D741,476 | S | * | 10/2015 | Hiraoka | | D24/114 |
| D775,325 | S | * | 12/2016 | Larson | | D24/114 |
| D792,579 | S | * | 7/2017 | Ohashi | | D24/114 |
| D793,547 | S | * | 8/2017 | Burkett | | D24/112 |
| D813,379 | S | * | 3/2018 | Mills | | D24/112 |
| D814,022 | S | * | 3/2018 | Boyaval | | D24/113 |
| D816,212 | S | * | 4/2018 | Daniel | | A61M 5/2033 D24/112 |
| D819,198 | S | * | 5/2018 | Boyaval | | D24/113 |
| 9,962,494 | B2 | * | 5/2018 | Blancke | | A61M 5/28 |
| D827,127 | S | * | 8/2018 | Donnelly | | D24/113 |
| D830,539 | S | * | 10/2018 | Boyaval | | D24/113 |

* cited by examiner

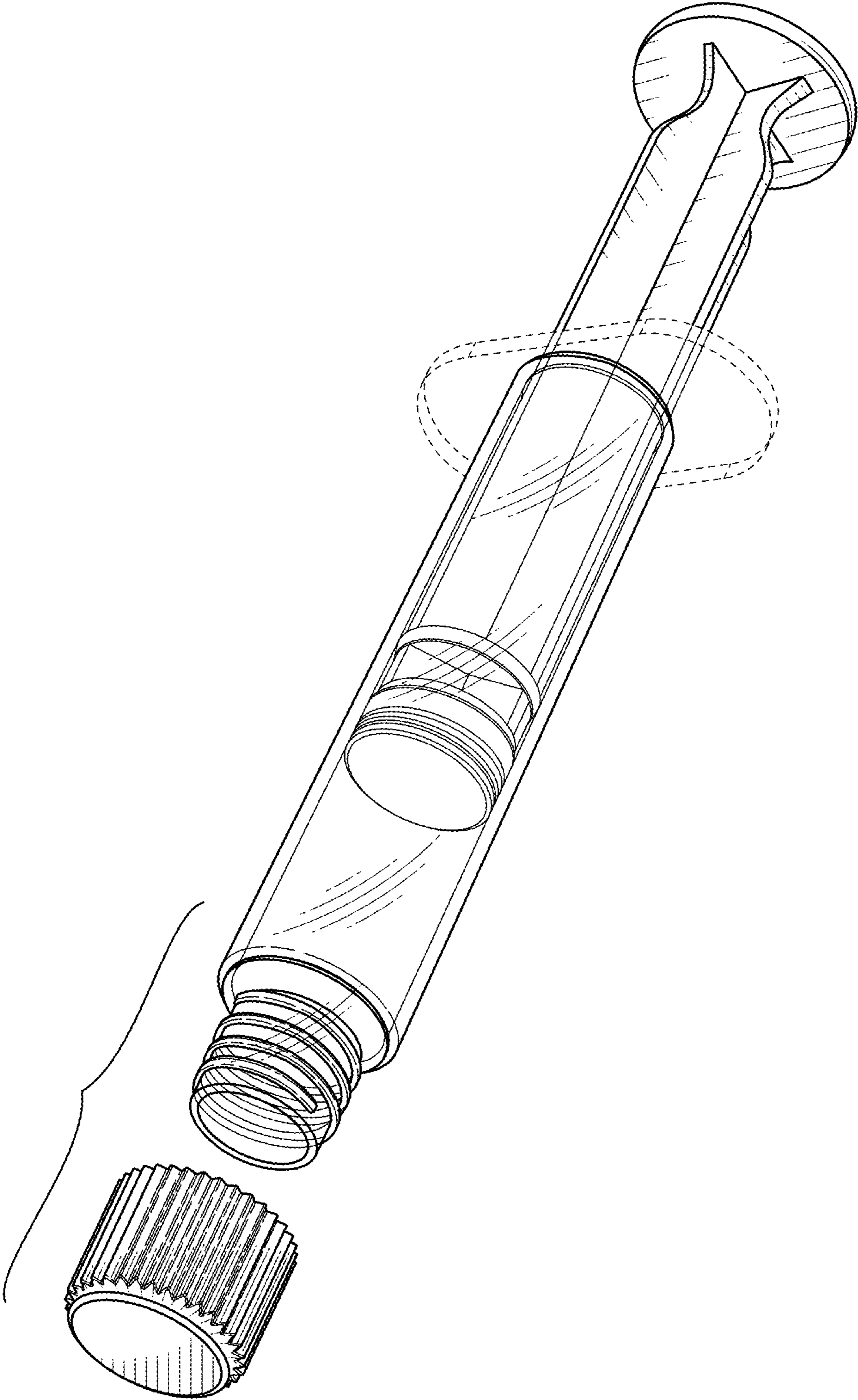


FIG. 1

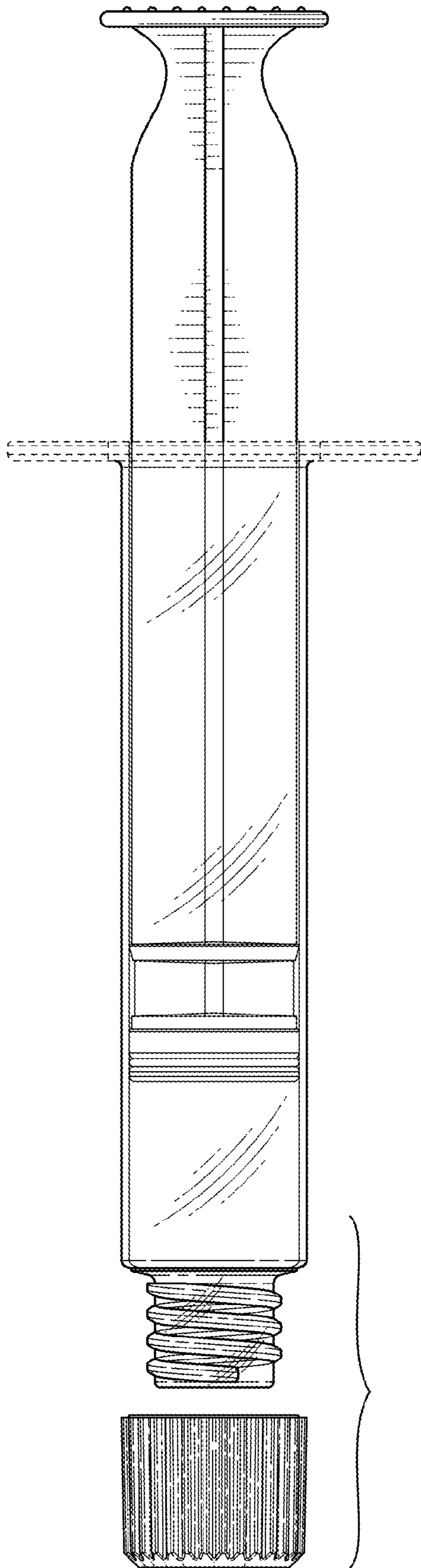


FIG. 2

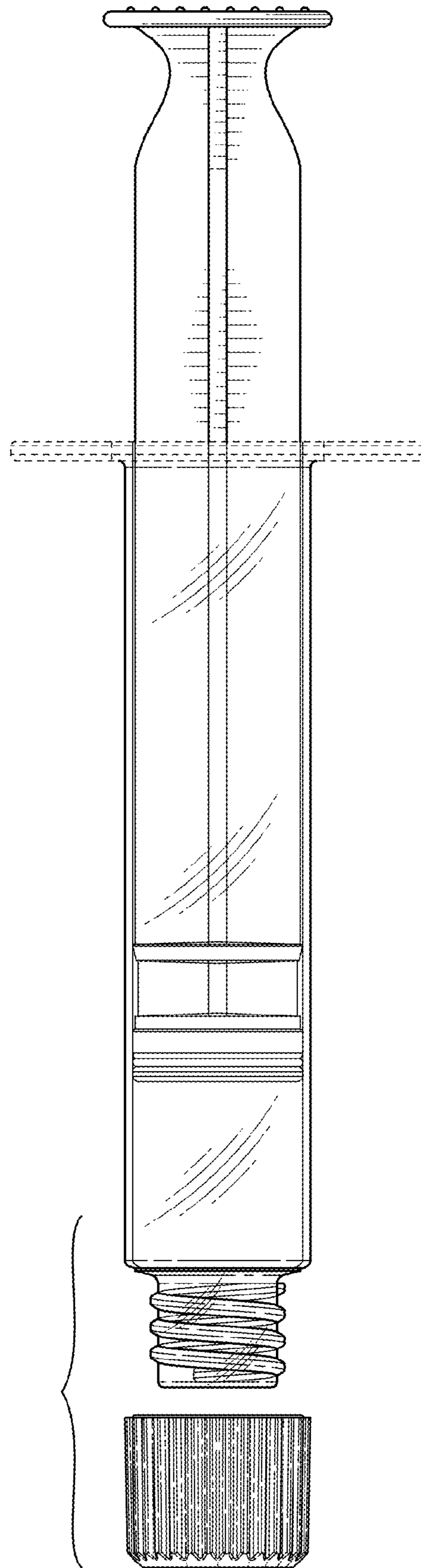


FIG. 3

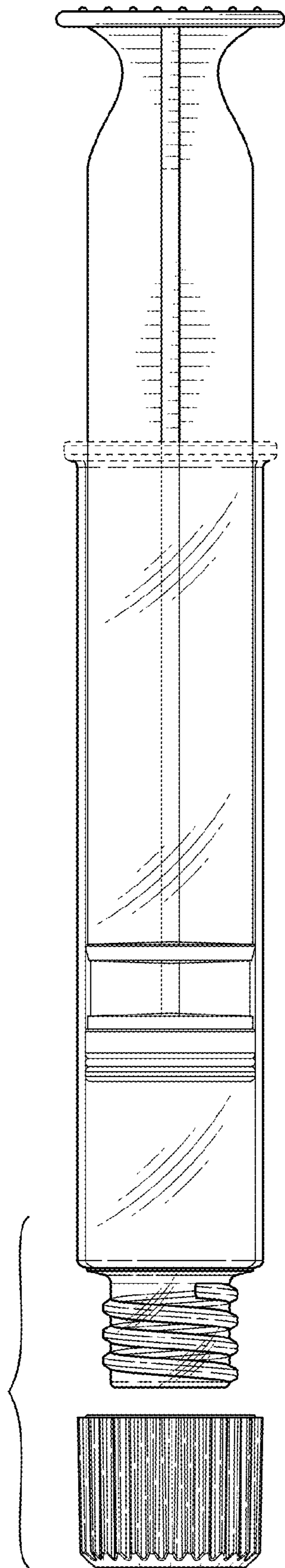


FIG. 4

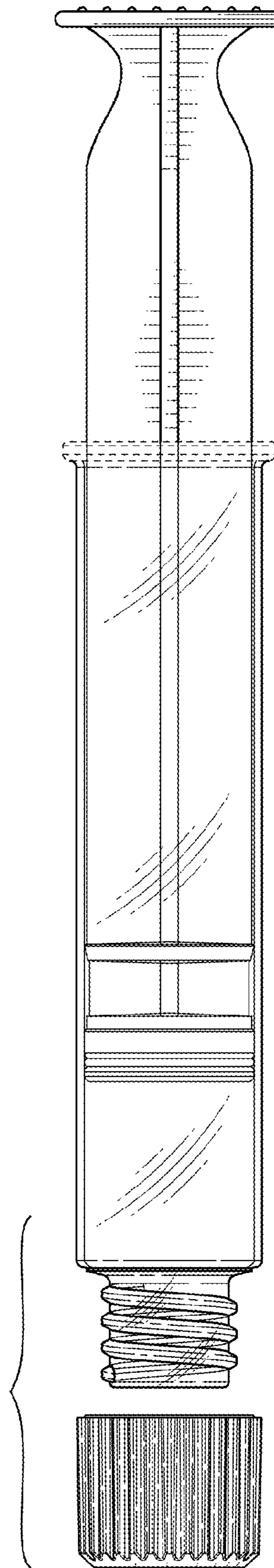


FIG. 5

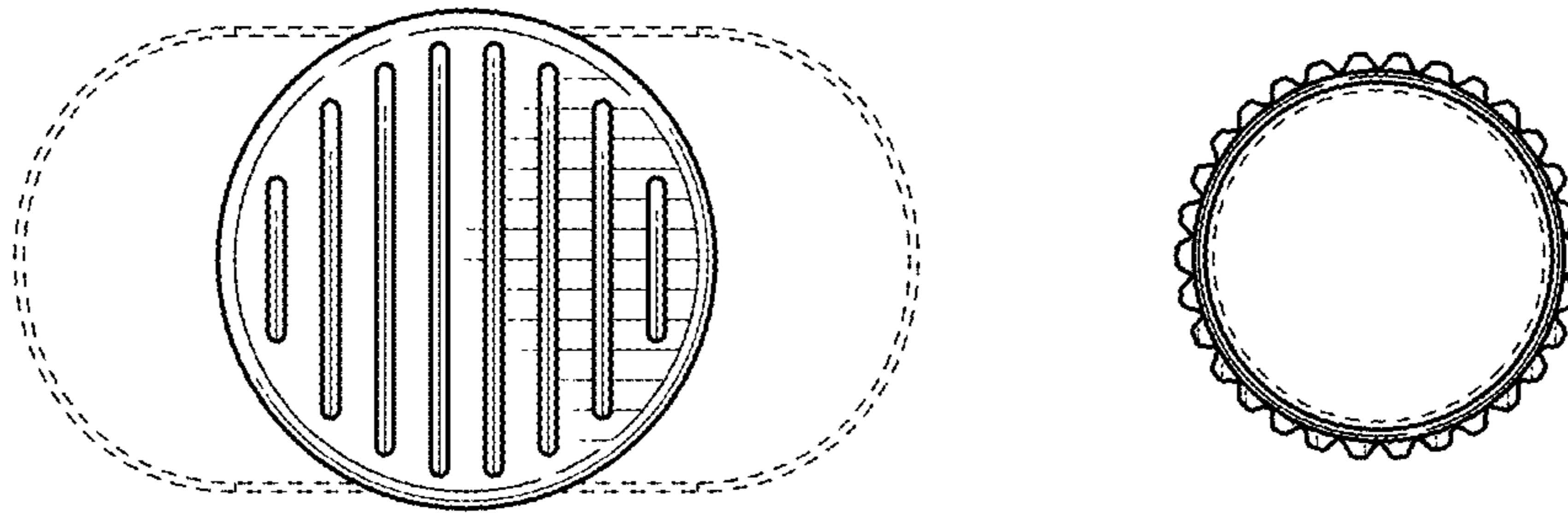


FIG. 6

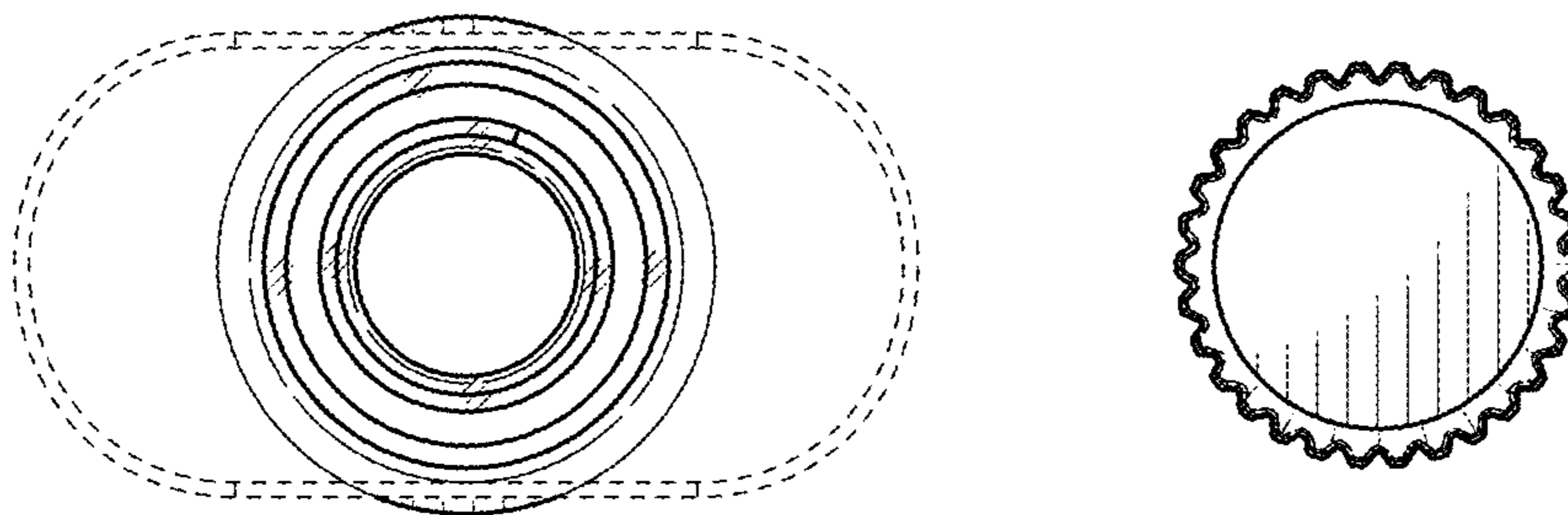


FIG. 7

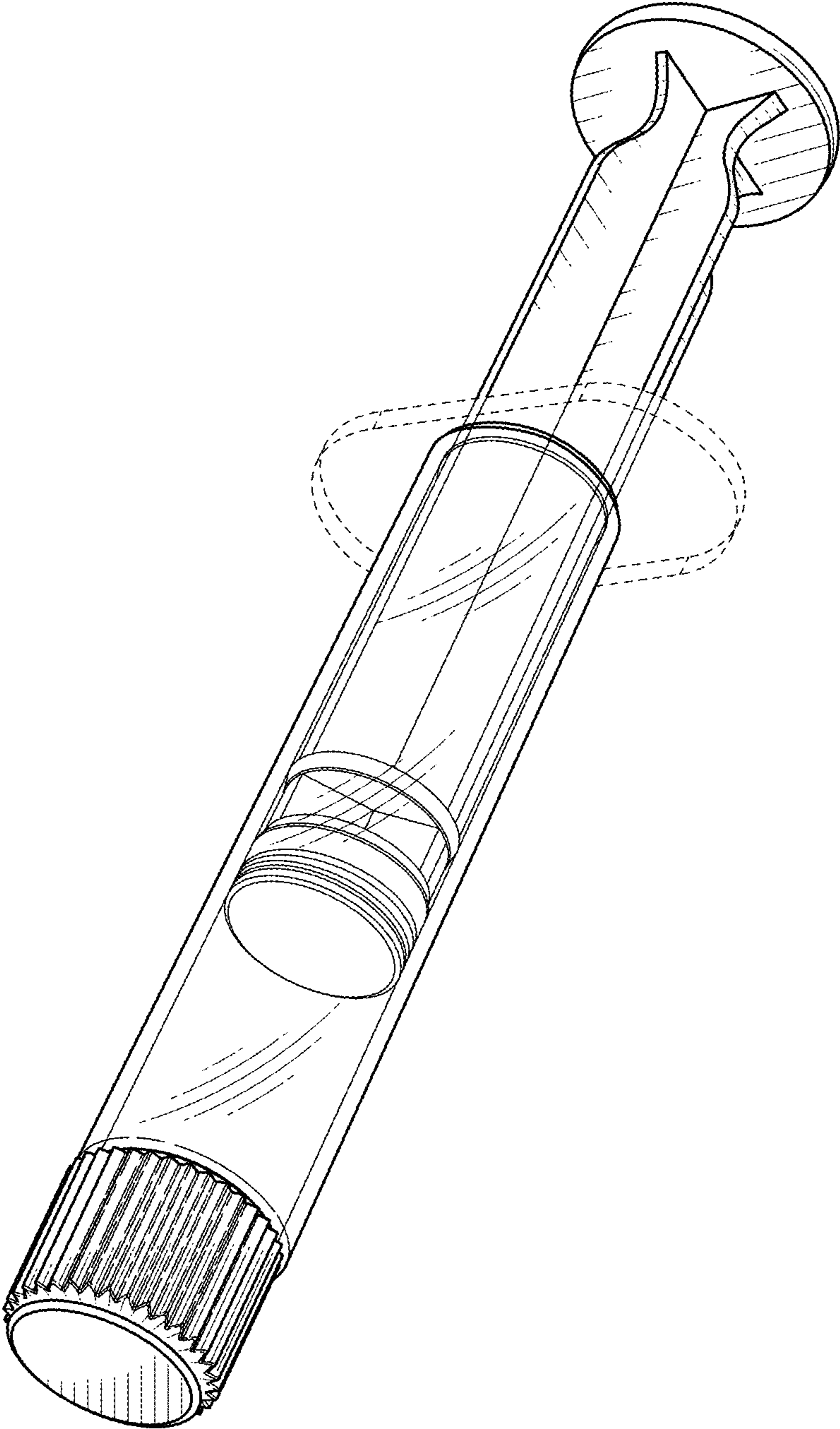


FIG. 8

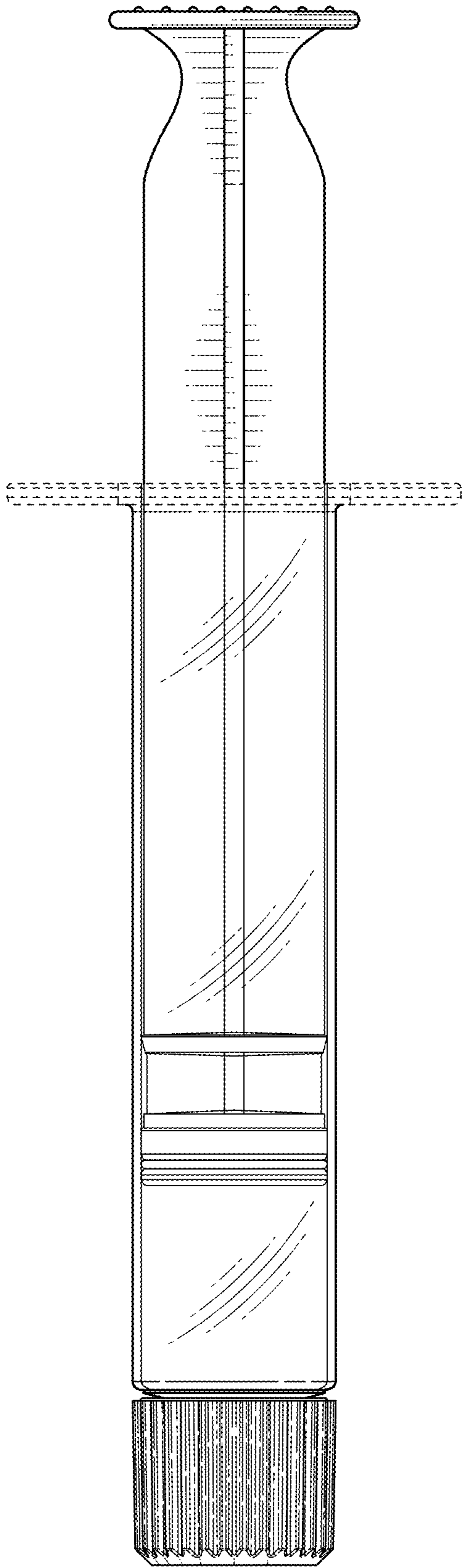


FIG. 9

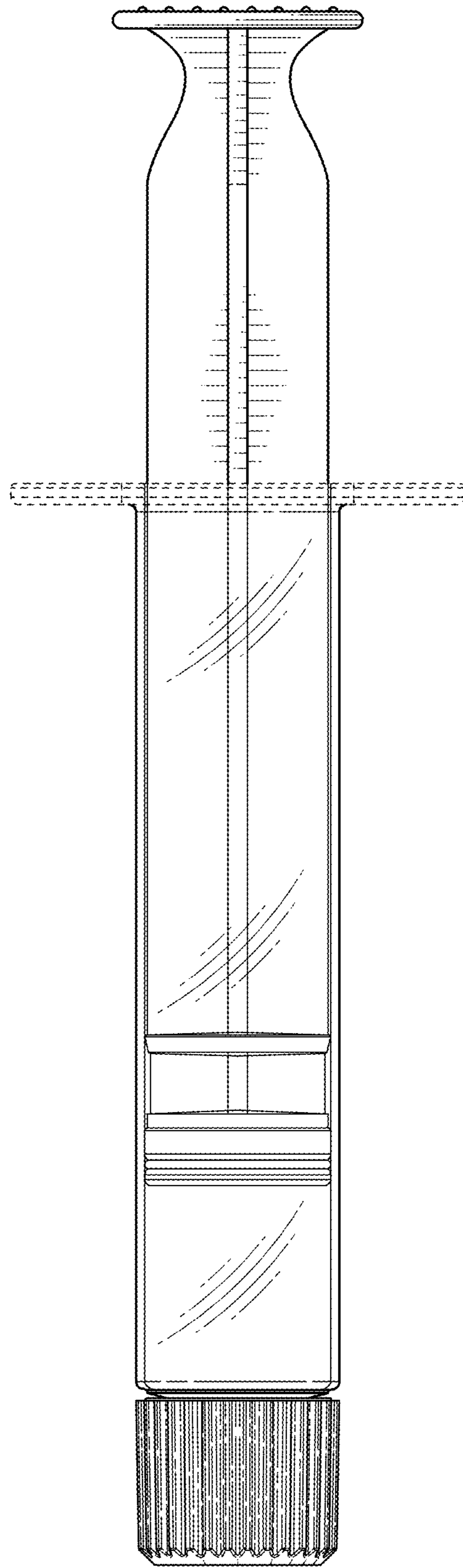


FIG. 10

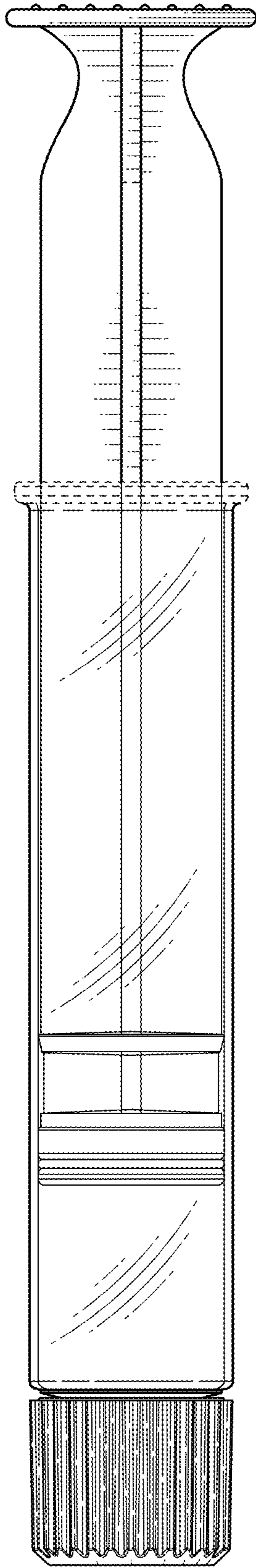


FIG. 11

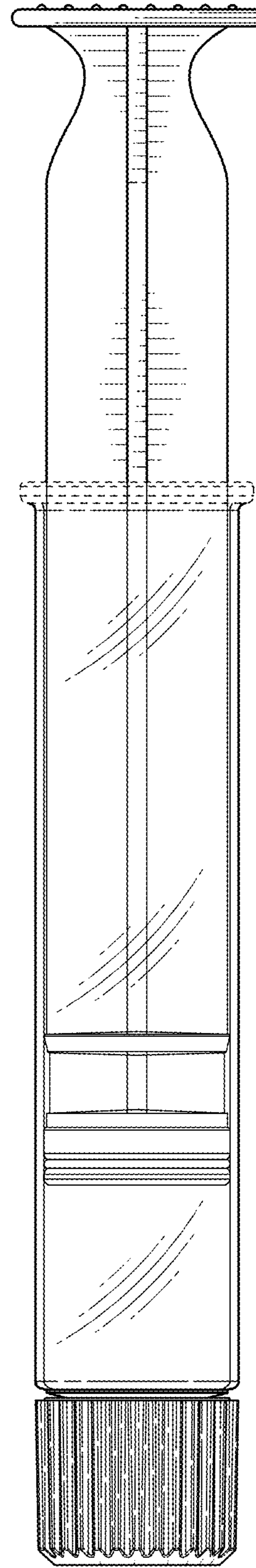


FIG. 12

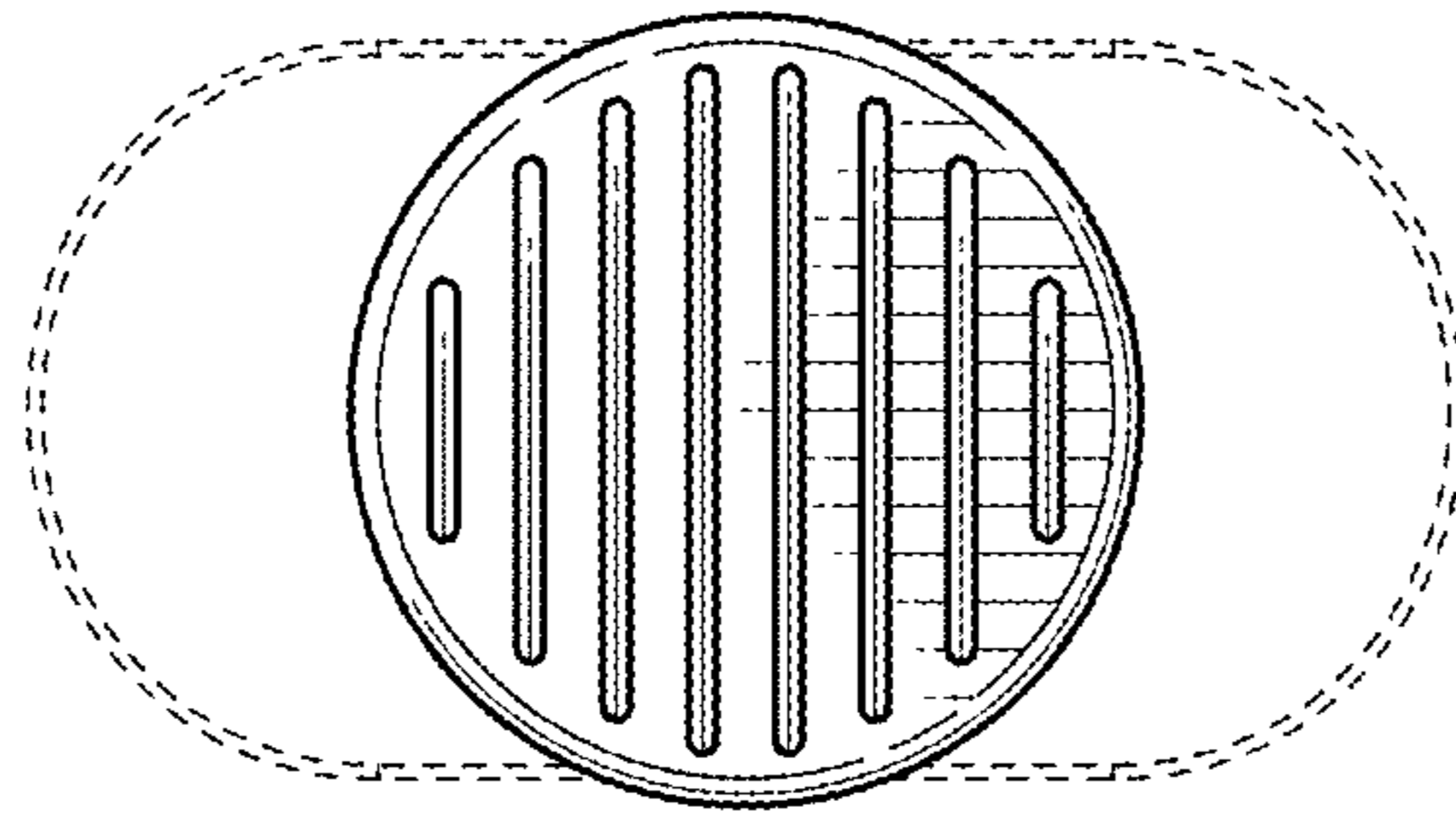


FIG. 13

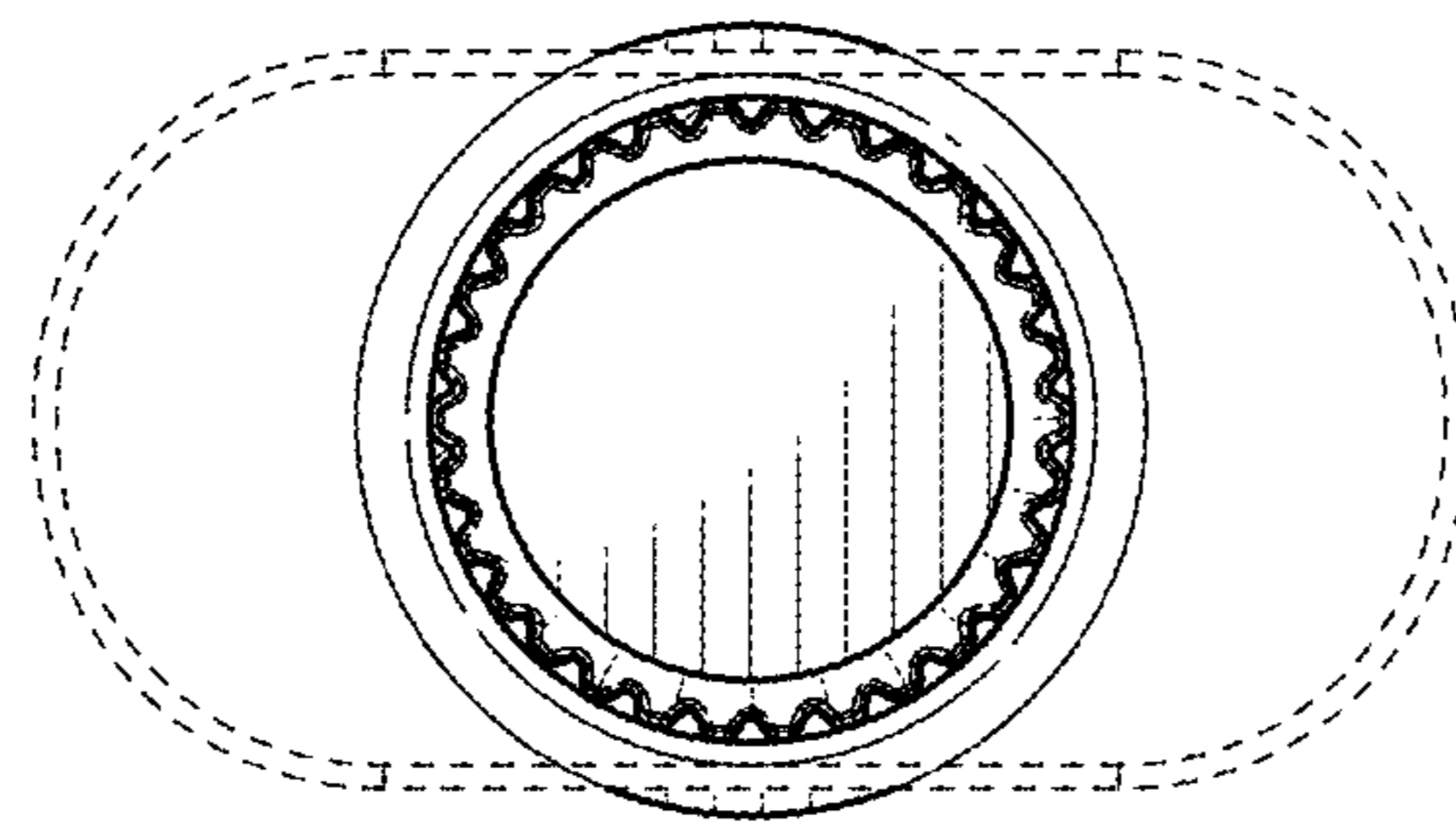


FIG. 14