

US00D909568S

(12) **United States Design Patent** (10) **Patent No.:** **US D909,568 S**
Xia (45) **Date of Patent:** **** Feb. 2, 2021**

(54) **TEETH IRRIGATOR**
(71) Applicant: **SHENZHEN IMDK MEDICAL TECHNOLOGY CO., LTD.**, Shenzhen (CN)
(72) Inventor: **Changchun Xia**, Wenzhou (CN)
(73) Assignee: **SHENZHEN IMDK MEDICAL TECHNOLOGY CO., LTD.**, Shenzhen (CN)

CN 305641541 * 3/2020
CN 305692455 * 4/2020
CN 305777994 * 5/2020
CN 305795989 * 5/2020
CN 305845555 * 6/2020
CN 305924052 * 7/2020
CN 306006496 * 8/2020
CN 306006497 * 8/2020
EM 006540589-0001 * 6/2019
EM 006575791-0001 * 6/2019
EM 008150668-0002 * 9/2020

(**) Term: **15 Years**

(21) Appl. No.: **29/695,412**

(22) Filed: **Jun. 19, 2019**

(51) **LOC (13) Cl.** **24-02**

(52) **U.S. Cl.**
USPC **D24/111**

(58) **Field of Classification Search**
USPC D24/108, 111–115, 117, 152, 176
CPC A61C 17/20; A61C 17/00; A61C 17/005;
A61C 17/02; A61C 17/0202; A61C
17/0205; A61C 17/0211; A61C 17/36;
A61C 17/028; A61C 17/22; A61C
17/222; A61C 17/225; A61C 17/28
See application file for complete search history.

(56) **References Cited**

U.S. PATENT DOCUMENTS

D322,314 S * 12/1991 Ohbayashi D24/113
D373,631 S * 9/1996 Maeda D24/111
D413,975 S * 9/1999 Maeda D24/111
D625,406 S * 10/2010 Seki D24/111
D812,219 S * 3/2018 Wang D24/111
D865,160 S * 10/2019 Yan D24/111
D865,944 S * 11/2019 Yan D24/111

FOREIGN PATENT DOCUMENTS

CN 305313625 * 8/2019
CN 305480520 * 12/2019

OTHER PUBLICATIONS

Home Water Pulse Tooth Cleaner Oral Irrigator. GlobalSources.com. Date viewed: Sep. 28, 2020. Retrieved from Internet: <https://www.globalsources.com/Ultrasonic-scaler/oral-irrigator-1176603886p.htm#1176603886> (Year: 2020).*

* cited by examiner

Primary Examiner — Lilyana Bekic
(74) *Attorney, Agent, or Firm* — Juan Carlos A. Marquez; Marquez IP Law Office, PLLC

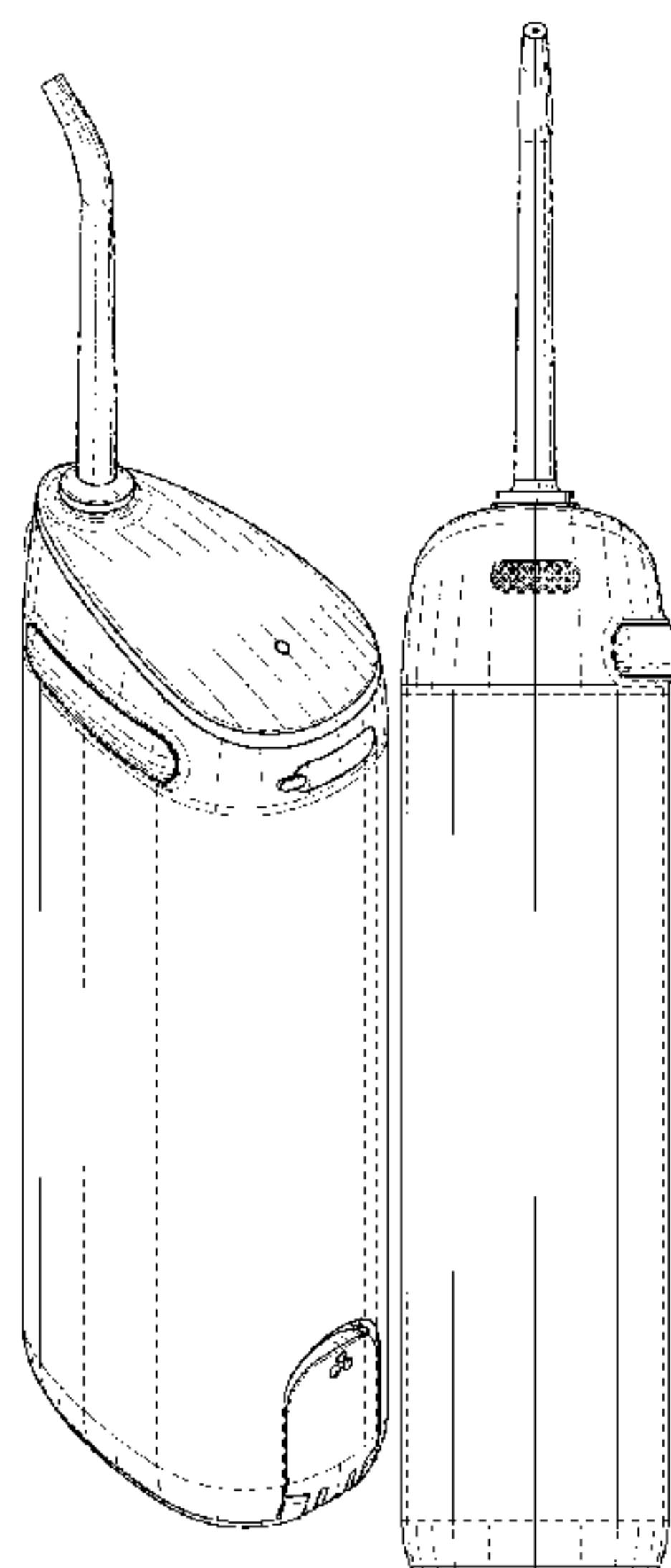
(57) **CLAIM**

The ornamental design for a teeth irrigator, as shown and described.

DESCRIPTION

FIG. 1 is a perspective view of a teeth irrigator, showing the new design;
FIG. 2 is a front view thereof;
FIG. 3 is a rear view thereof;
FIG. 4 is a left-side view thereof;
FIG. 5 is a right-side view thereof;
FIG. 6 is a top view thereof; and,
FIG. 7 is a bottom view thereof.

1 Claim, 6 Drawing Sheets



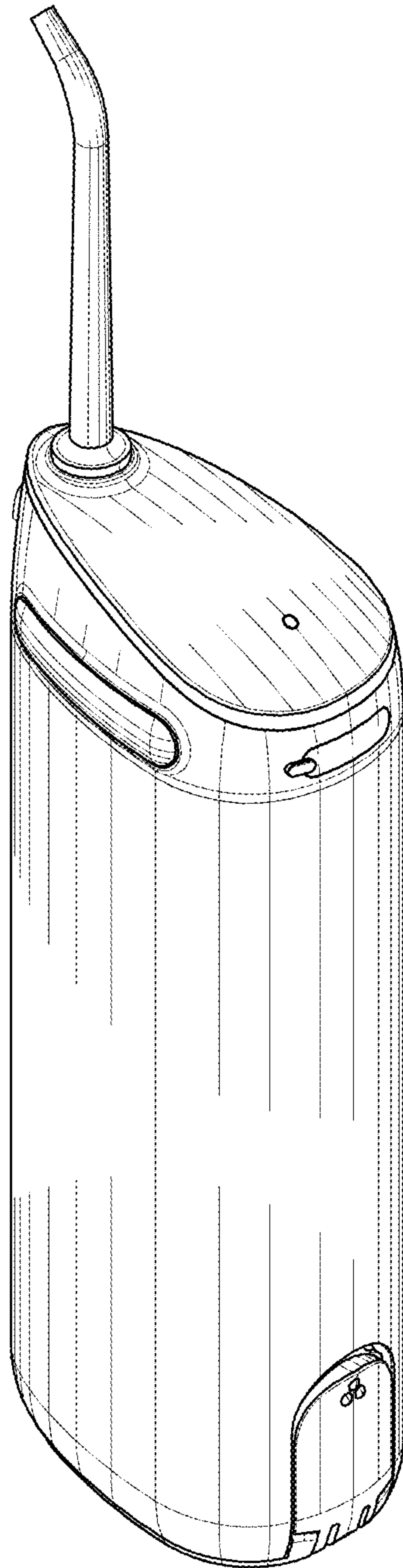


FIG. 1

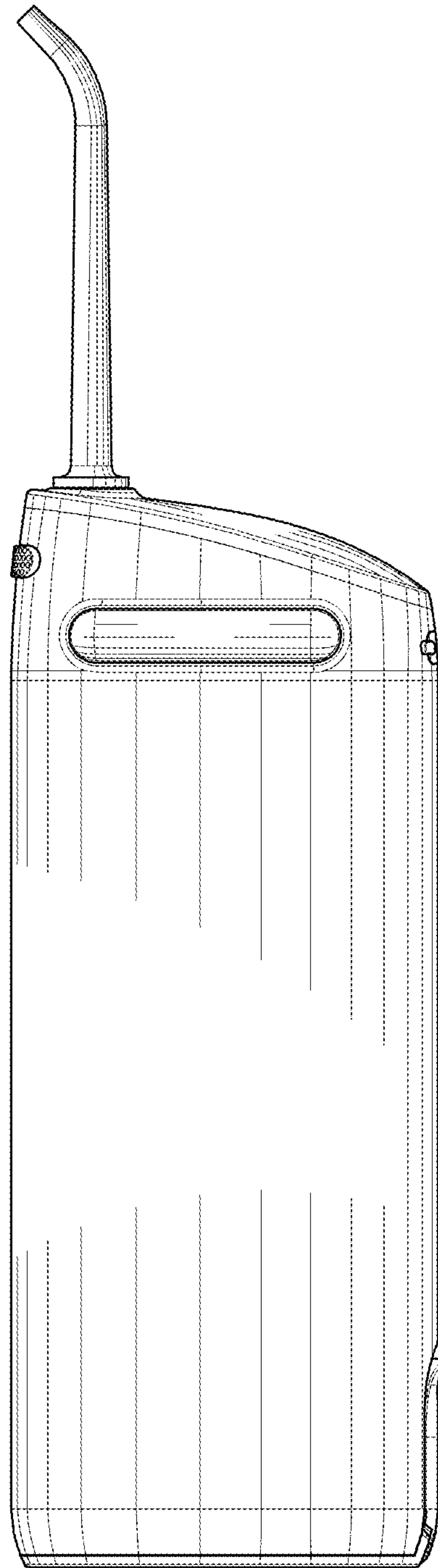


FIG. 2

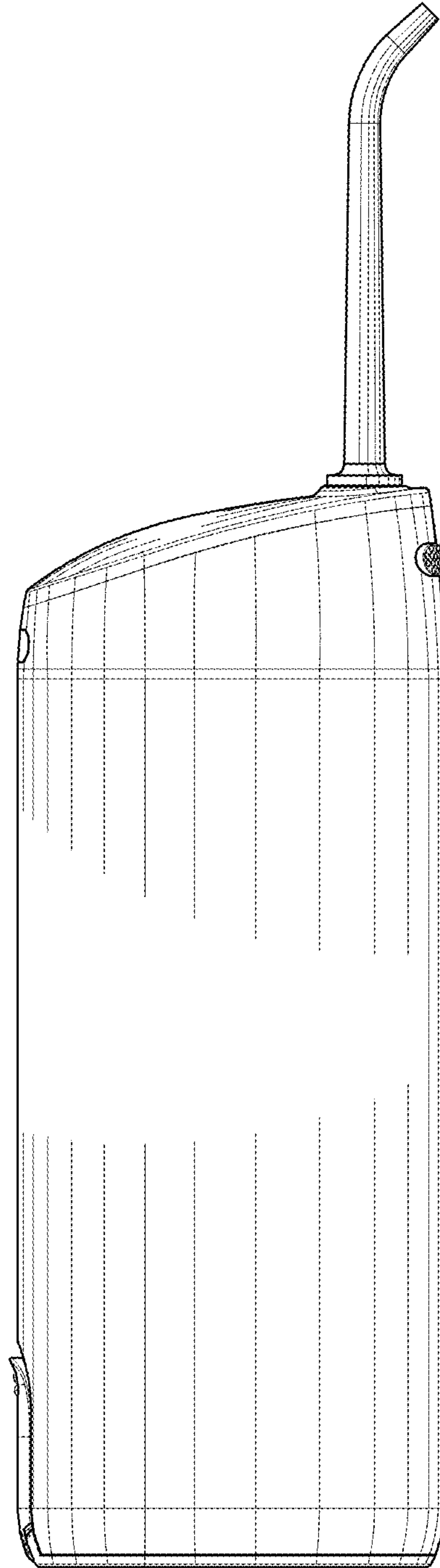


FIG. 3

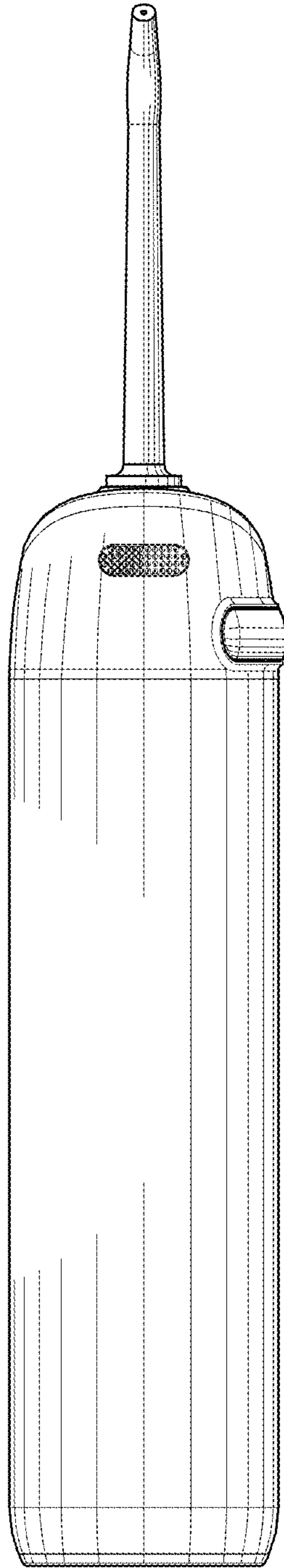


FIG. 4

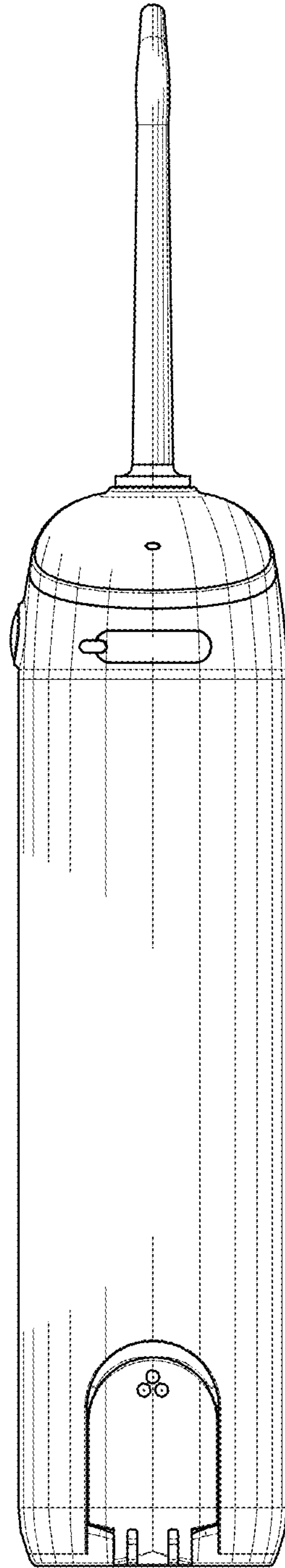


FIG. 5

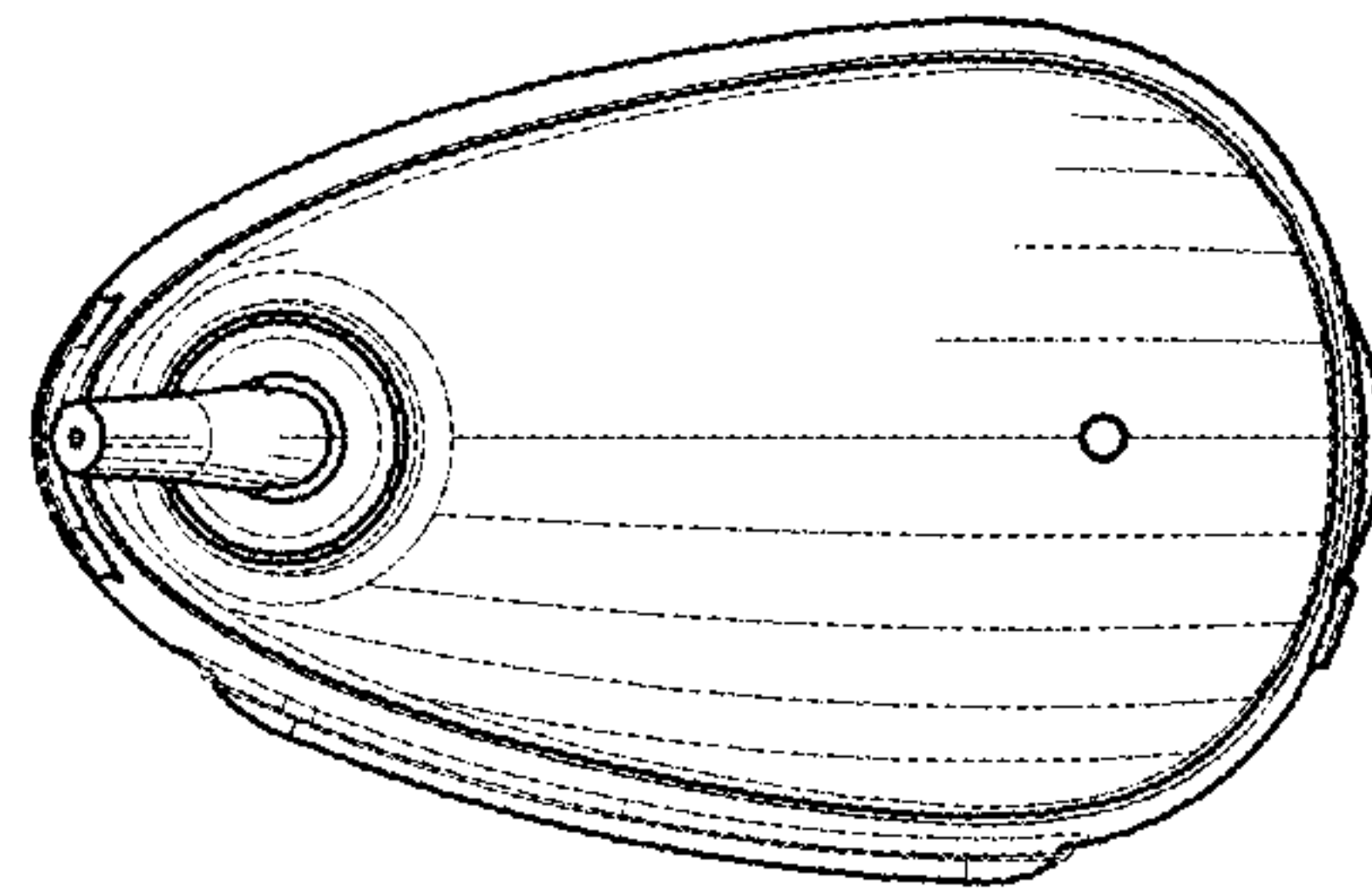


FIG. 6

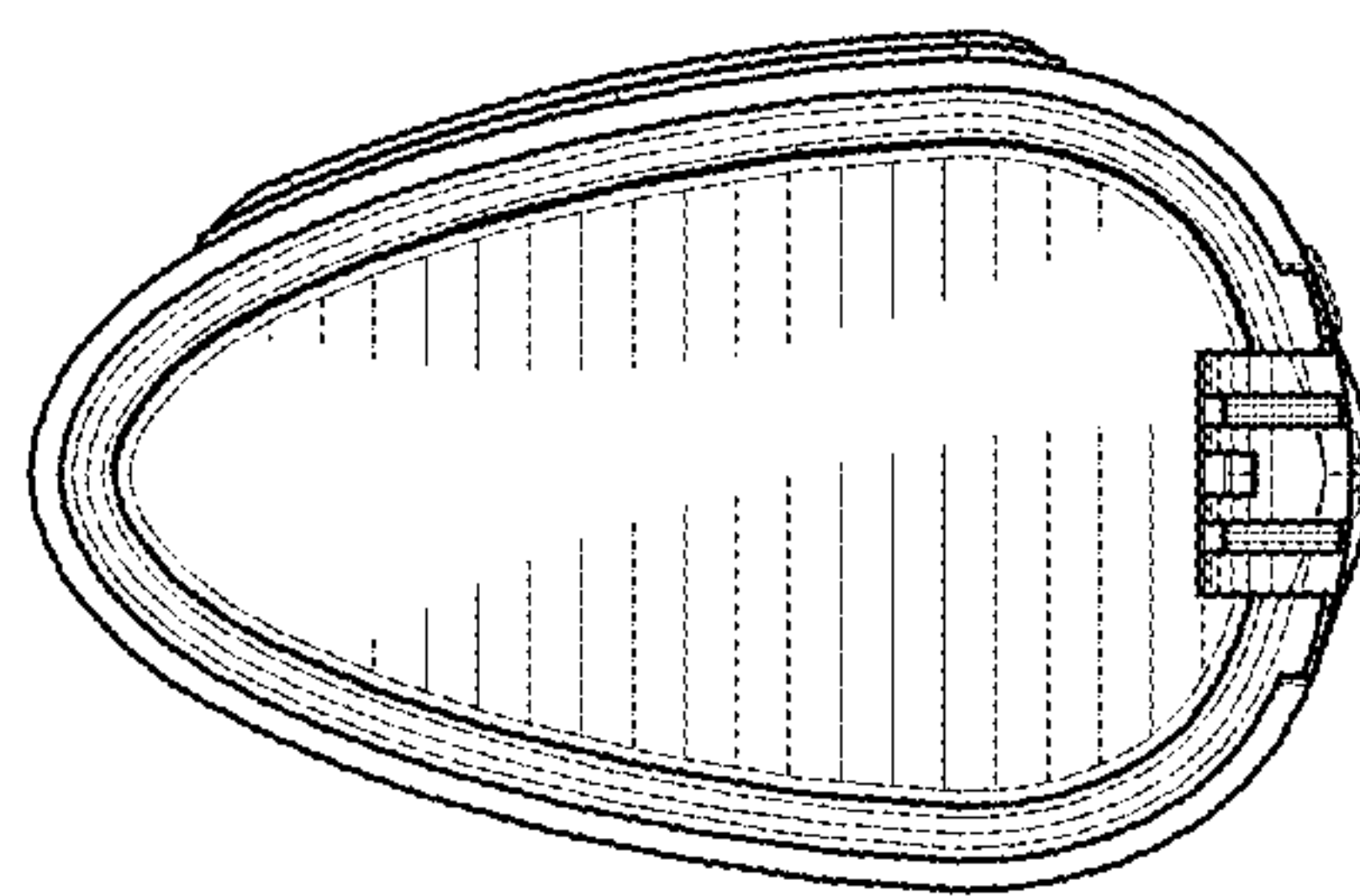


FIG. 7