



US00D909567S

(12) **United States Design Patent** (10) **Patent No.:** **US D909,567 S**
Archat et al. (45) **Date of Patent:** **** Feb. 2, 2021**

(54) **MEDICAL INFUSION PUMP**
(71) Applicant: **Fresenius Vial SAS**, Brezins (FR)
(72) Inventors: **Damien Archat**, Grenoble (FR); **Remi Duprez**, Coublevie (FR); **Mathieu Paoli**, La Murette (FR); **Florie Perrigouard**, St Etienne de St Geoirs (FR); **Jean-Marc Ulrich**, Saint Jean de Moirans (FR); **Philippe Traversaz**, Saint Blaise du Buis (FR); **Patrick Marguerie**, Annecy le Vieux (FR)

4,978,335 A * 12/1990 Arthur, III A61M 5/1456
604/67
4,988,337 A * 1/1991 Ito A61M 5/1456
128/DIG. 12
D327,123 S * 6/1992 Stracener D24/111
D360,259 S * 7/1995 Ijiri D24/111

(Continued)

Primary Examiner — Lilyana Bekic
(74) *Attorney, Agent, or Firm* — Cook Alex Ltd.

(73) Assignee: **Fresenius Vial SAS**, Brezins (FR)
(**) Term: **15 Years**

(57) **CLAIM**

The ornamental design for a medical infusion pump, as shown and described.

(21) Appl. No.: **29/640,678**

DESCRIPTION

(22) Filed: **Mar. 16, 2018**

(30) **Foreign Application Priority Data**

Sep. 20, 2017 (EP) 004363737-0001

(51) **LOC (13) Cl.** **24-02**

(52) **U.S. Cl.**
USPC **D24/111**

(58) **Field of Classification Search**
USPC D24/111, 107, 108, 112, 113, 127, 129,
D24/169, 185, 186
CPC .. A61M 5/168; A61M 5/142; A61M 5/16804;
A61M 2205/3334; A61M 5/14; A61M
2205/502; A61M 5/172; A61M 5/14566;
A61M 2005/14268; A61M 5/1456; A61M
2005/14208; A61M 5/1452
See application file for complete search history.

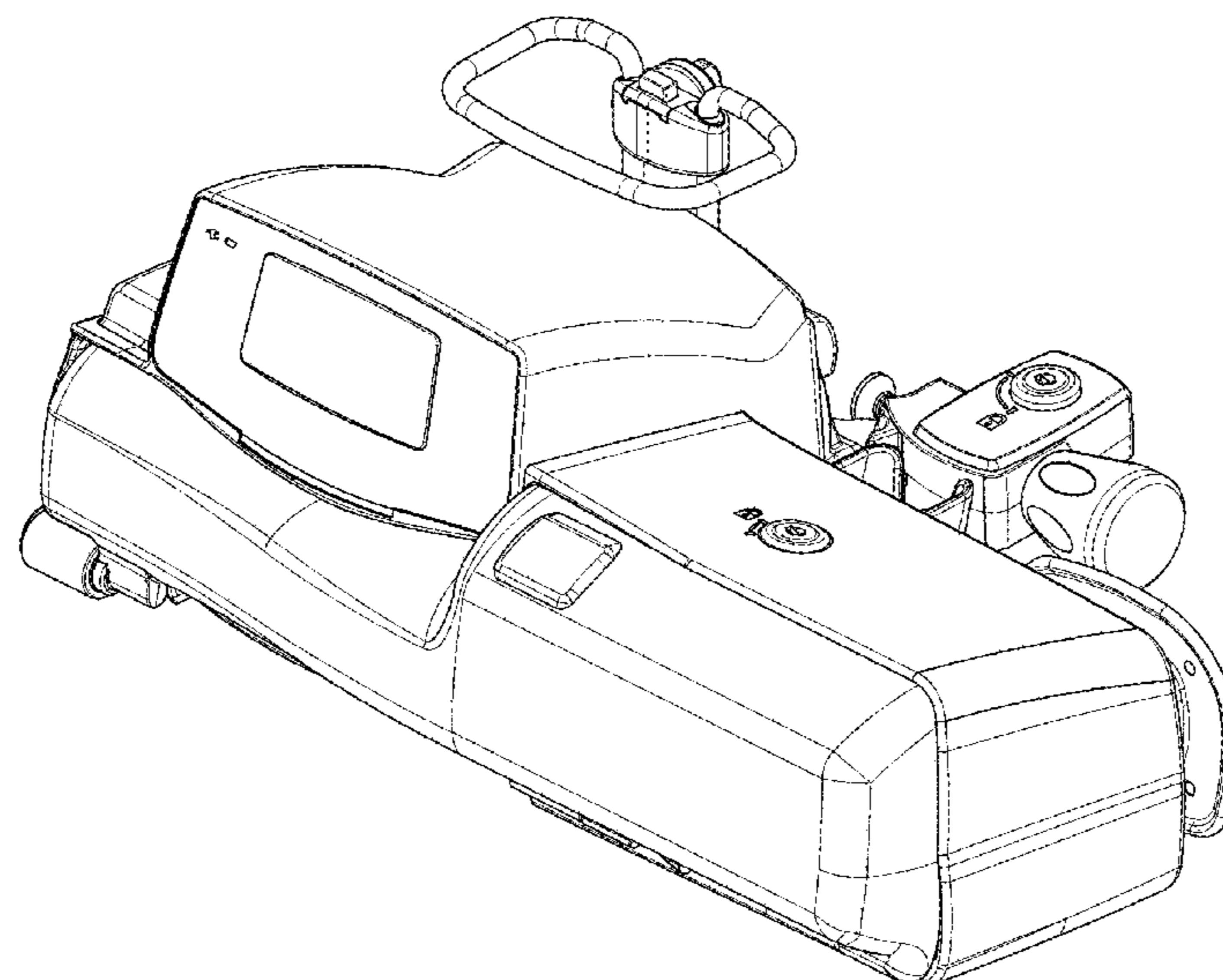
FIG. 1 is a front, top, and right side perspective view of a medical infusion pump showing our new design;
FIG. 2 is a front elevational view thereof;
FIG. 3 is a rear elevational view;
FIG. 4 is a top plan view thereof;
FIG. 5 is a bottom plan view thereof;
FIG. 6 right side elevational view thereof;
FIG. 7 is a left side elevational view;
FIG. 8 is a rear, top, and right side perspective view thereof;
FIG. 9 is a rear, top, and left side perspective view thereof;
FIG. 10 is a front, top, and left side perspective view thereof;
FIG. 11 is a front, bottom, right side perspective view thereof;
FIG. 12 is a rear, bottom, right side perspective view thereof;
FIG. 13 is a rear, bottom, left side perspective view thereof;
and,
FIG. 14 is a front, bottom, left side perspective view thereof.
The broken lines in the drawings depict portions of the medical infusion pump that form no part of the claimed design.

(56) **References Cited**

U.S. PATENT DOCUMENTS

D263,997 S * 4/1982 Preussner D15/7
D265,243 S * 6/1982 Manno D24/111

1 Claim, 14 Drawing Sheets



(56)

References Cited

U.S. PATENT DOCUMENTS

6,428,509	B1 *	8/2002	Fielder	A61M 5/1456 604/131	2014/0046296	A1 *	2/2014	Clarke	A61M 5/1456 604/507
D669,096	S *	10/2012	Katsura	D15/7	2015/0018766	A1 *	1/2015	Nakanishi	A61M 5/14228 604/151
D679,379	S *	4/2013	Katsura	D24/111	2015/0202362	A1 *	7/2015	Wolff	A61M 5/14228 604/152
D716,443	S *	10/2014	Marguerie	D24/128	2015/0238689	A1 *	8/2015	Shimizu	A61M 5/14228 604/508
D789,516	S *	6/2017	Gill	D24/108	2016/0250410	A1 *	9/2016	Traversaz	A61M 5/1415 604/152
9,770,550	B2 *	9/2017	Traversaz	A61M 5/14546	2017/0203032	A1 *	7/2017	Dowden	A61M 5/1456
D803,386	S *	11/2017	Sabin	D24/108	2017/0258985	A1 *	9/2017	Adams	A61M 5/1452
D803,387	S *	11/2017	Bodwell	D24/108	2017/0326293	A1 *	11/2017	Sims	A61M 5/1456
10,709,835	B2 *	7/2020	Clarke	A61M 5/1456	2018/0221643	A1 *	8/2018	Hetchler	A61M 5/1456
D894,373	S *	8/2020	Haug	D24/111	2019/0224408	A1 *	7/2019	Thomas	A61M 5/142
2004/0073161	A1 *	4/2004	Tachibana	A61M 5/1456 604/67	2019/0351132	A1 *	11/2019	Pippin	A61M 5/14546
2010/0065700	A1 *	3/2010	Poncon	F16M 11/24 248/206.5	2020/0078512	A1 *	3/2020	Rodet	A61M 5/1452
2012/0215170	A1 *	8/2012	Traversaz	A61M 5/14546 604/155	2020/0129691	A1 *	4/2020	Lacy	A61M 5/1456
					2020/0206419	A1 *	7/2020	Katsunuma	A61M 5/31535
					2020/0268963	A1 *	8/2020	Duprez	A61M 5/142
					2020/0289750	A1 *	9/2020	Wolff	A61M 5/16854

* cited by examiner

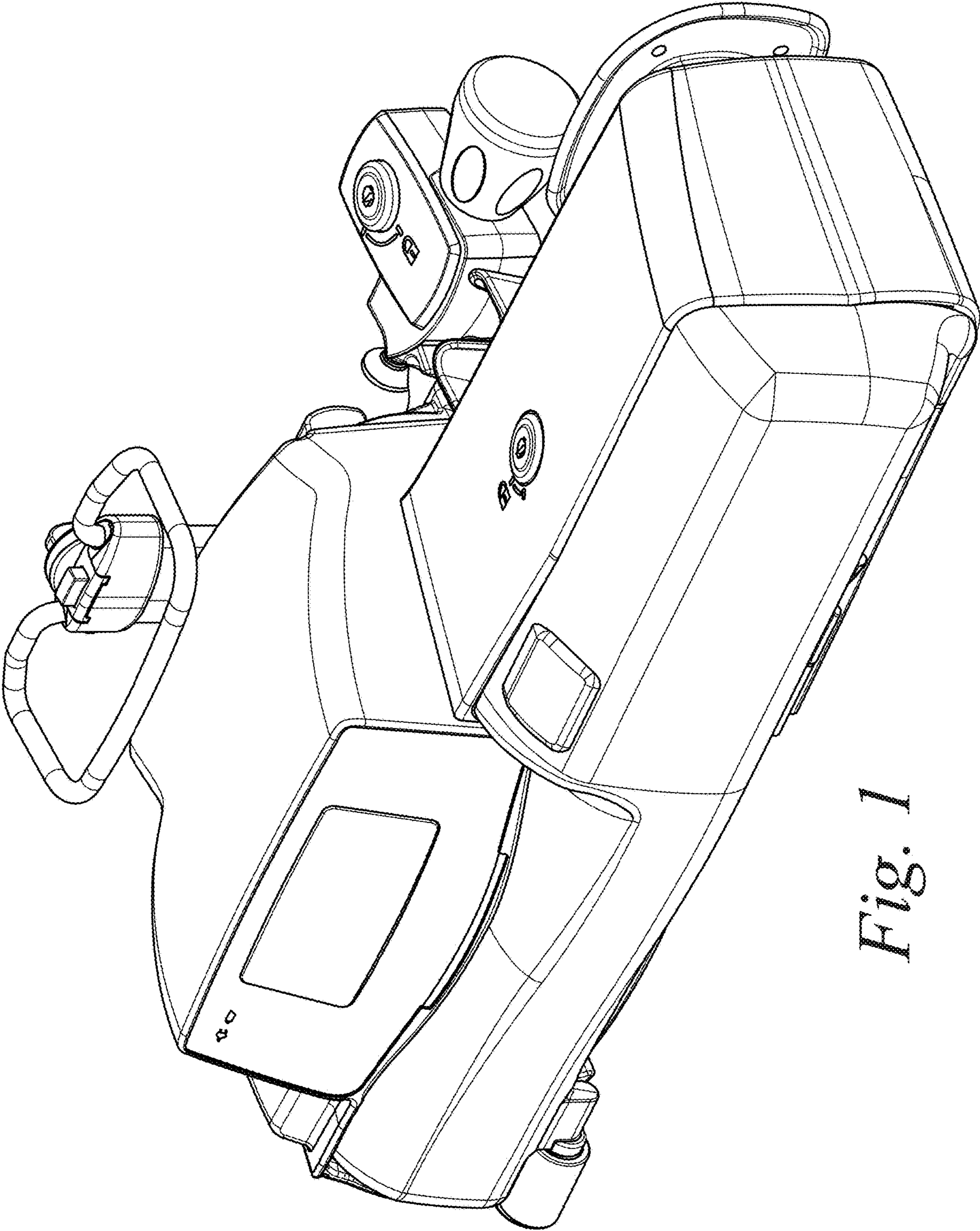


Fig. 1

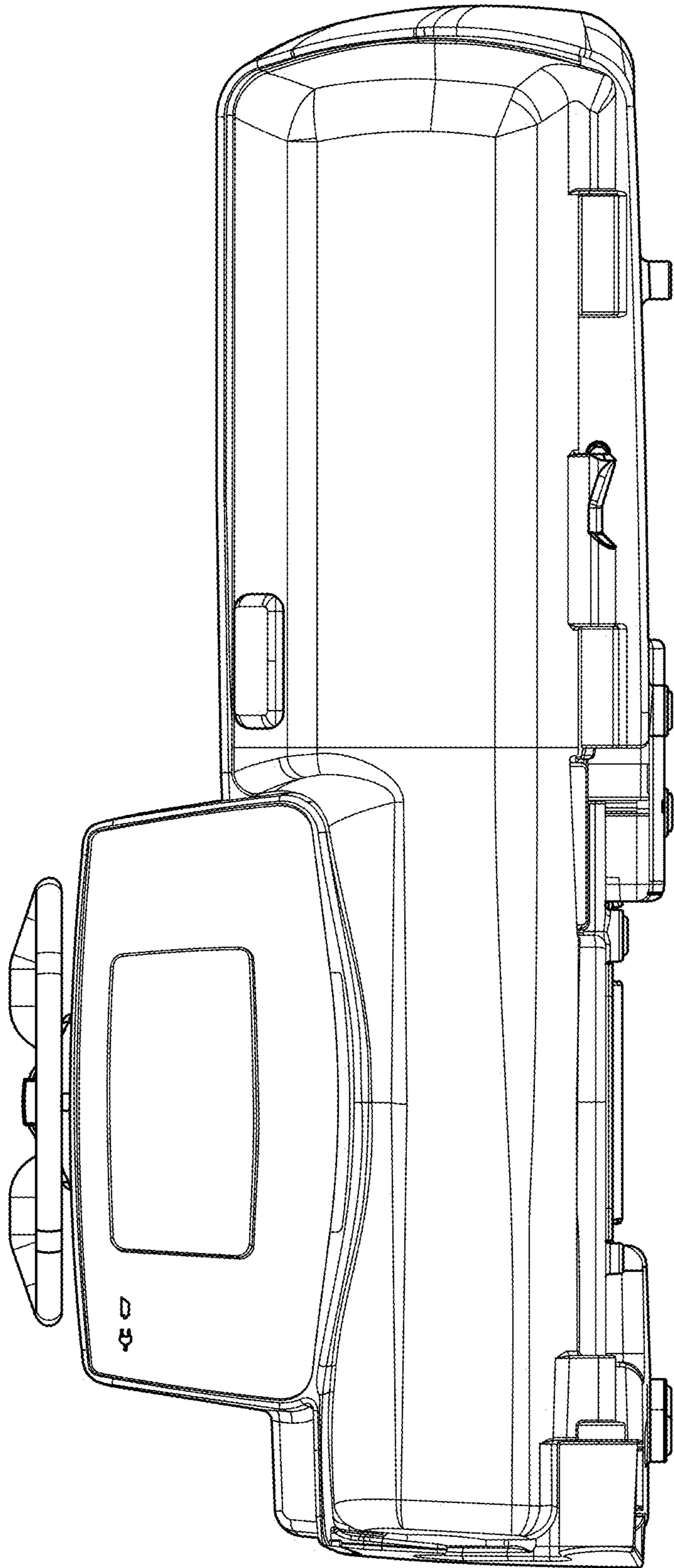


Fig. 2

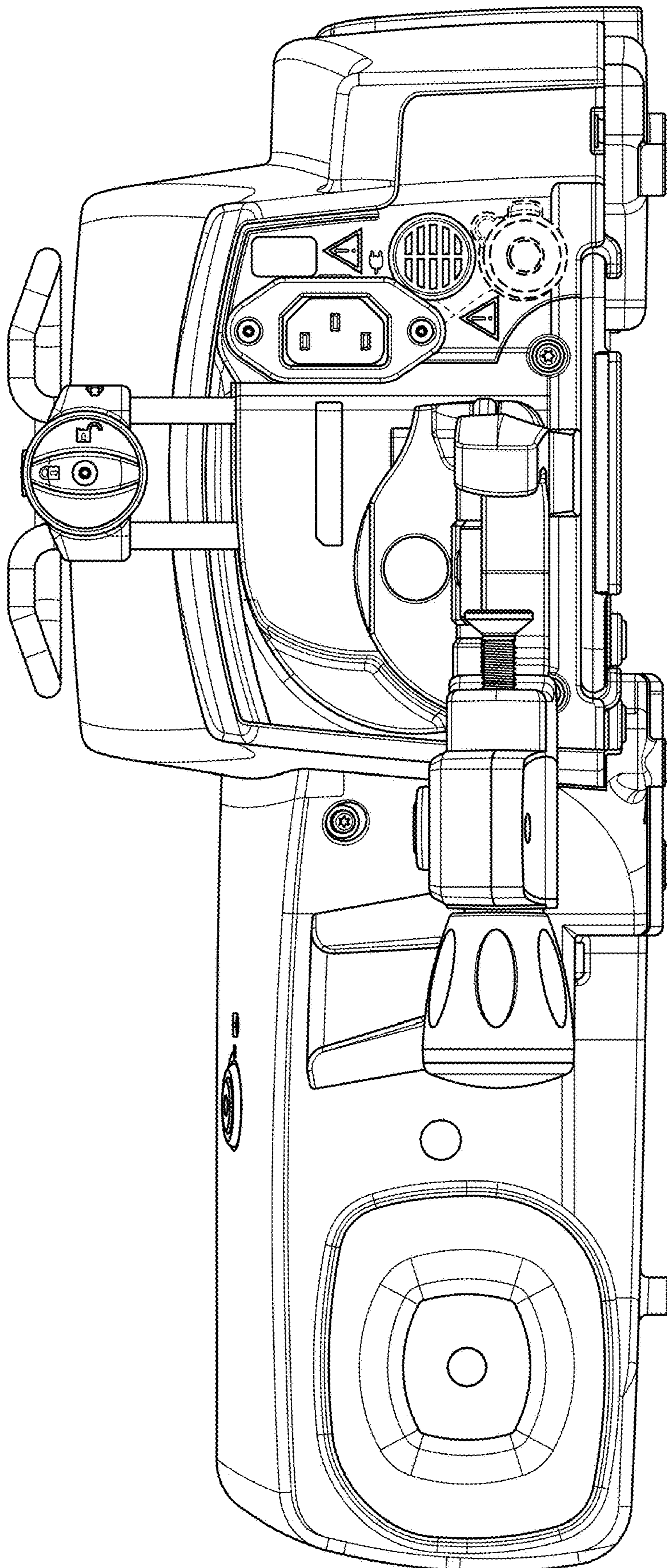


Fig. 3

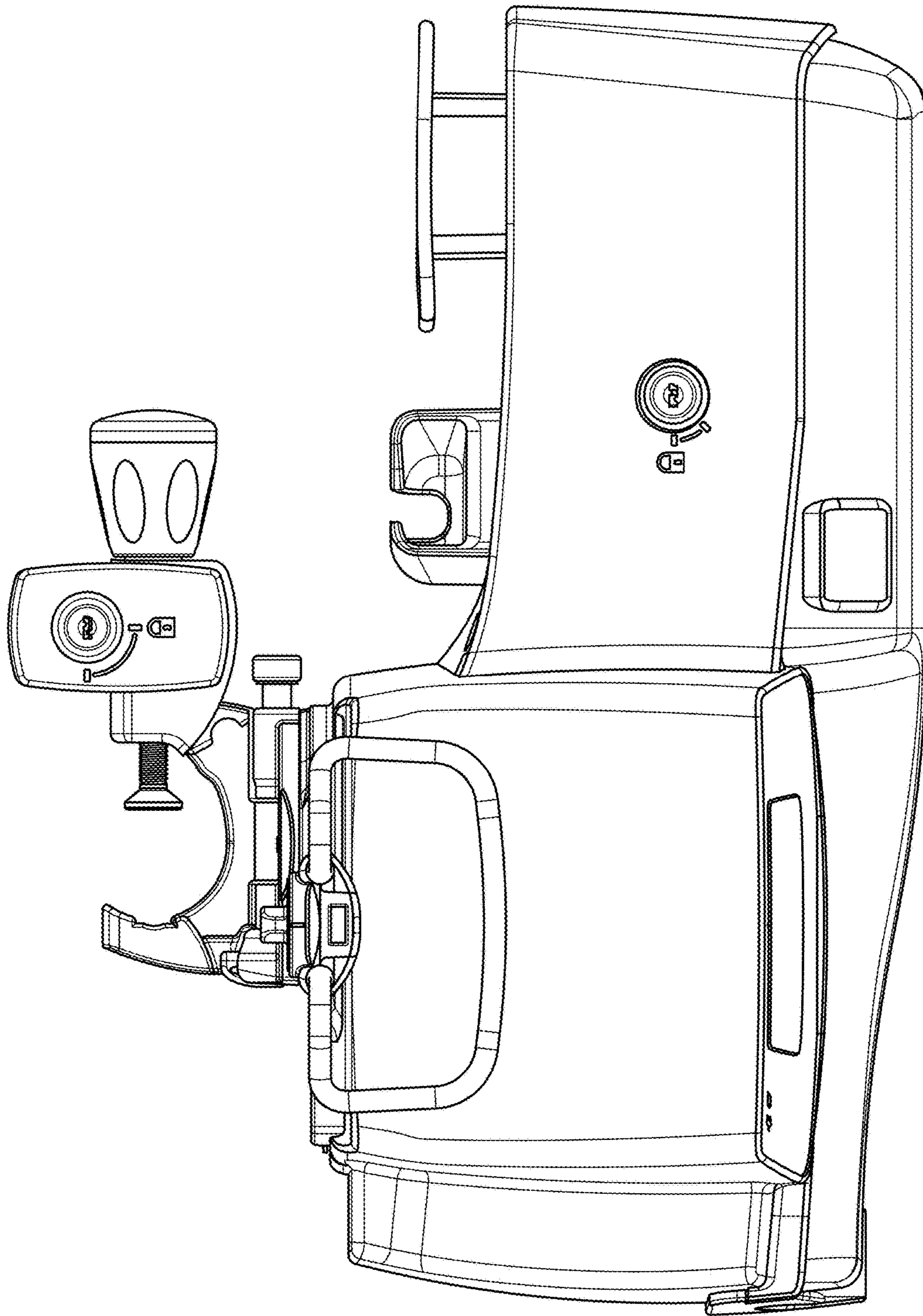


Fig. 4

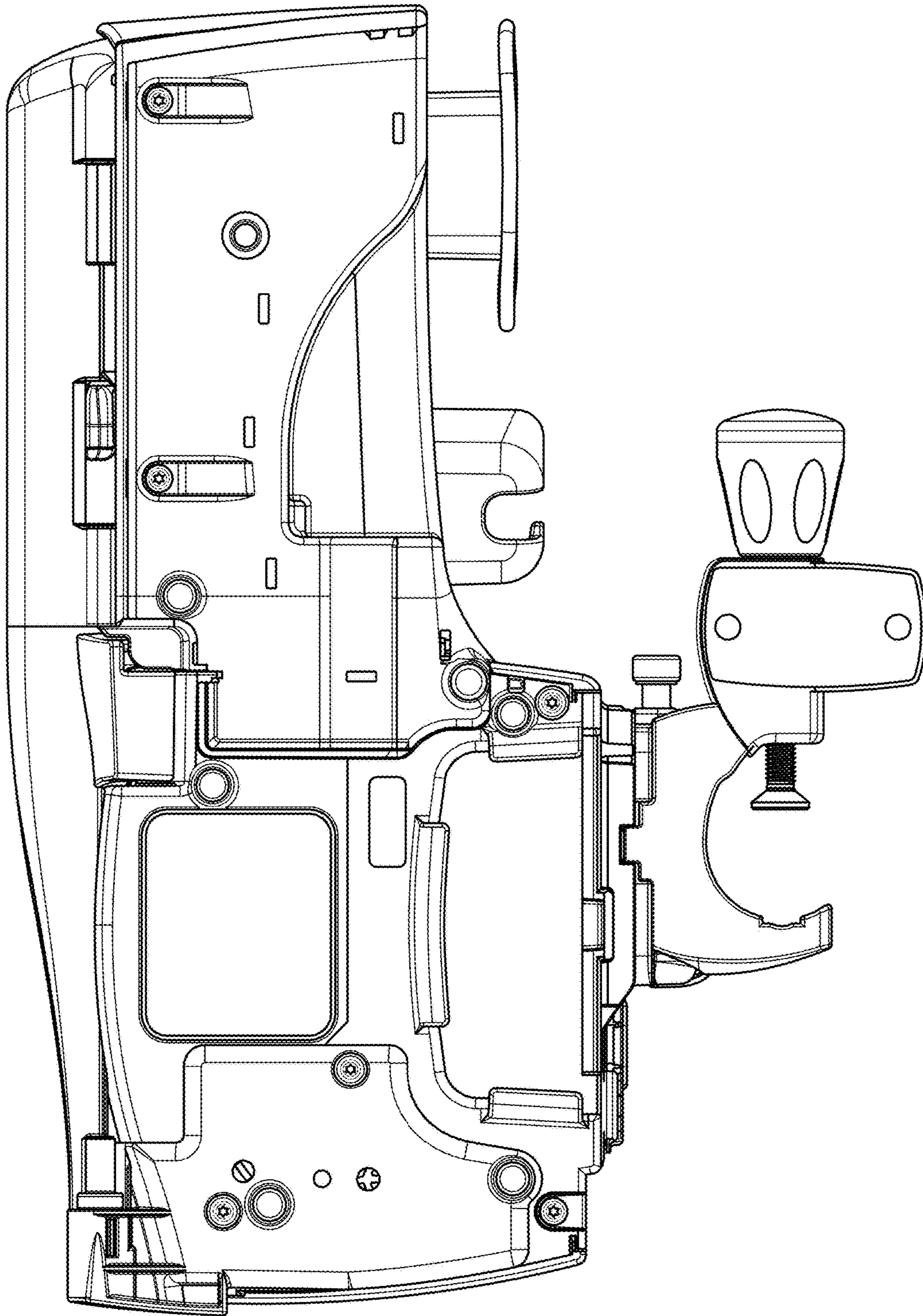


Fig. 5

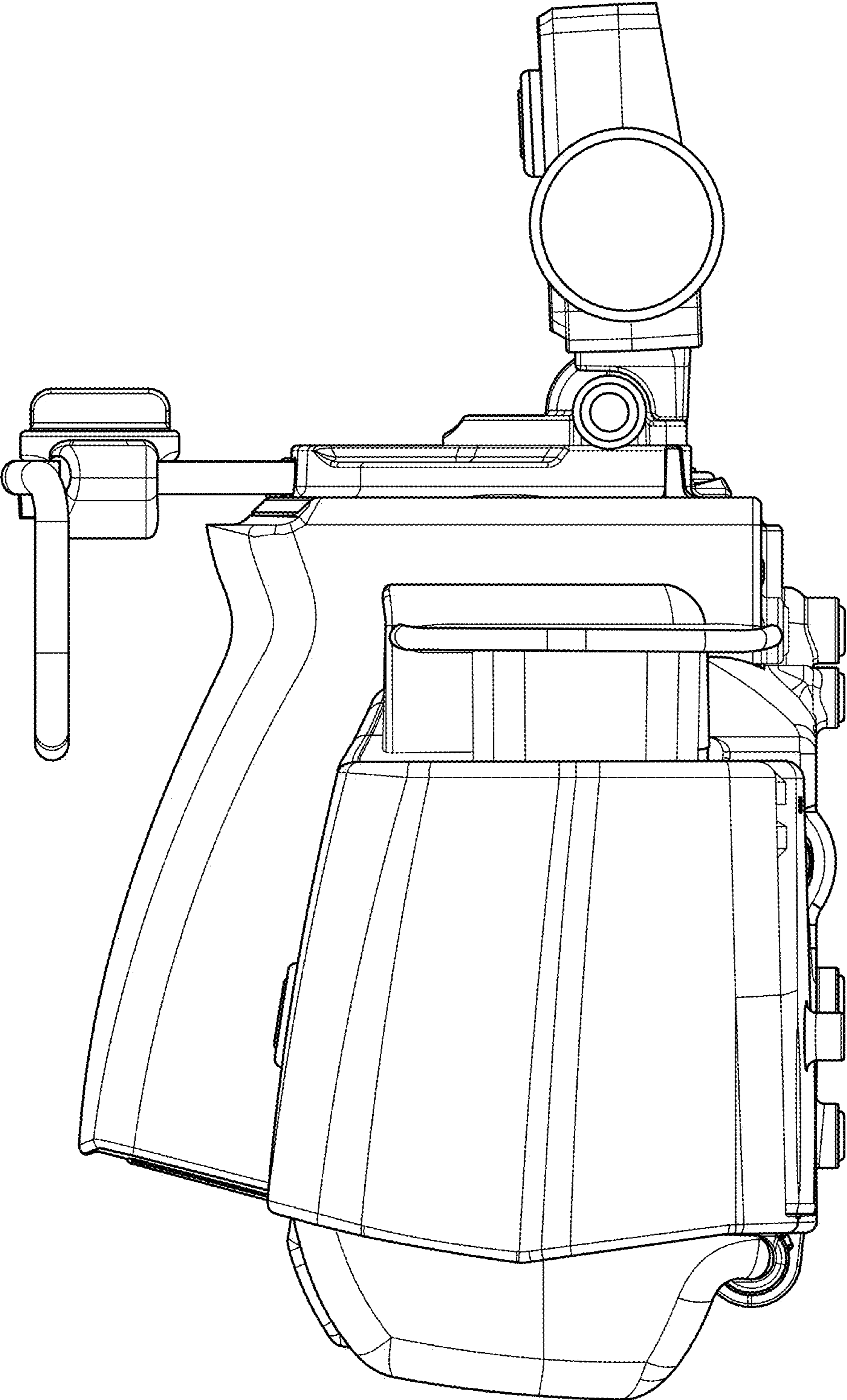


Fig. 6

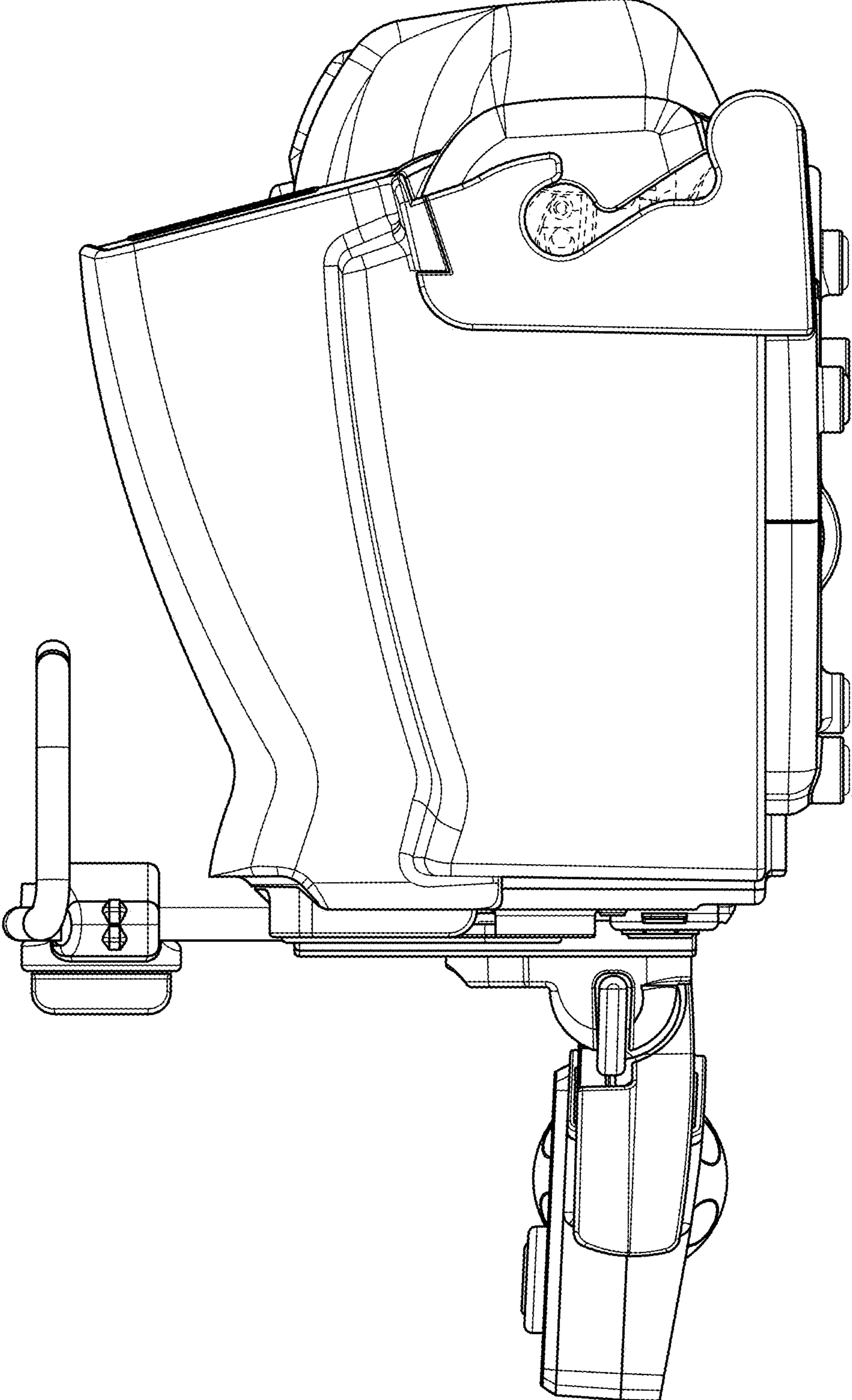


Fig. 7

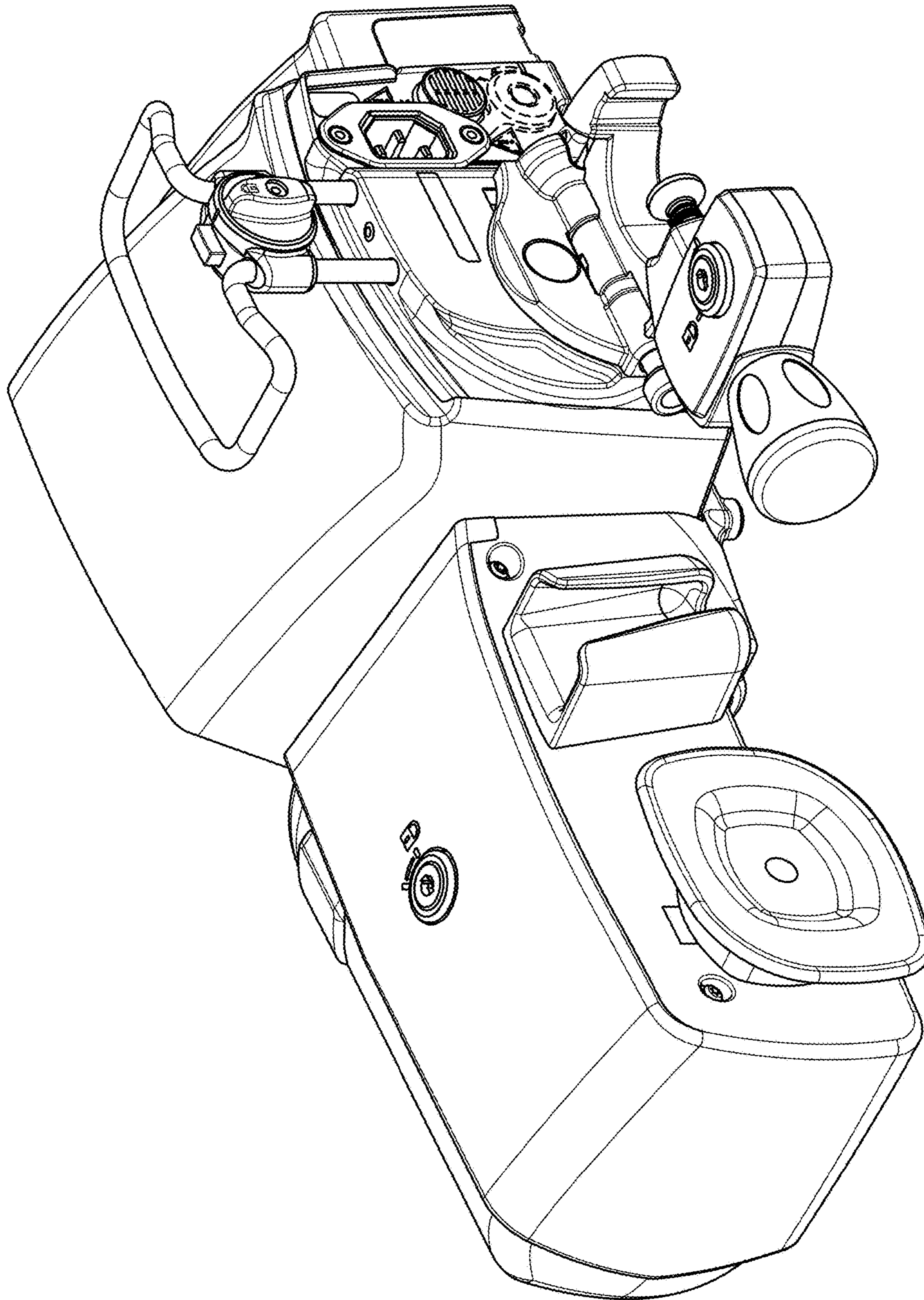


Fig. 8

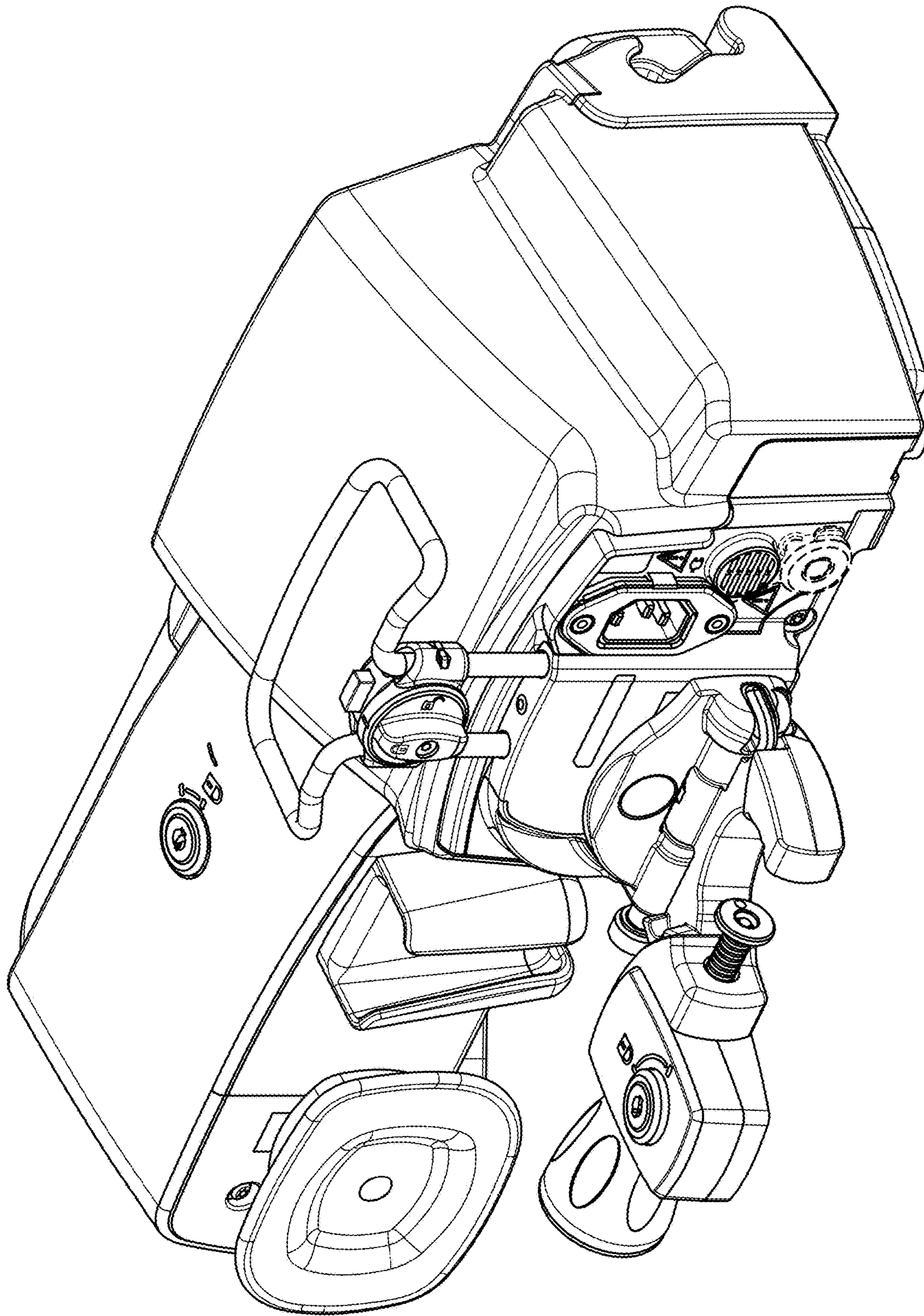


Fig. 9

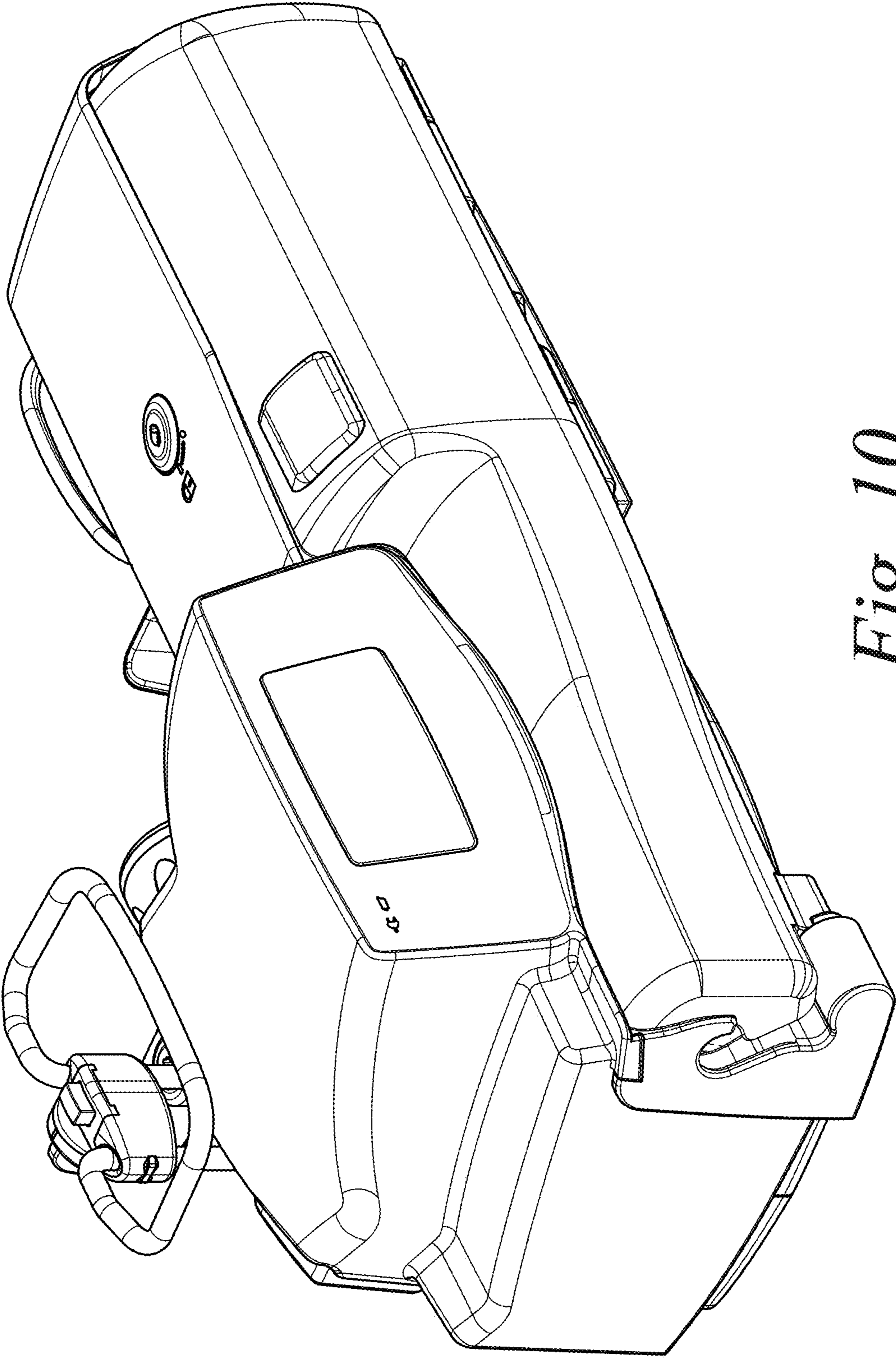


Fig. 10

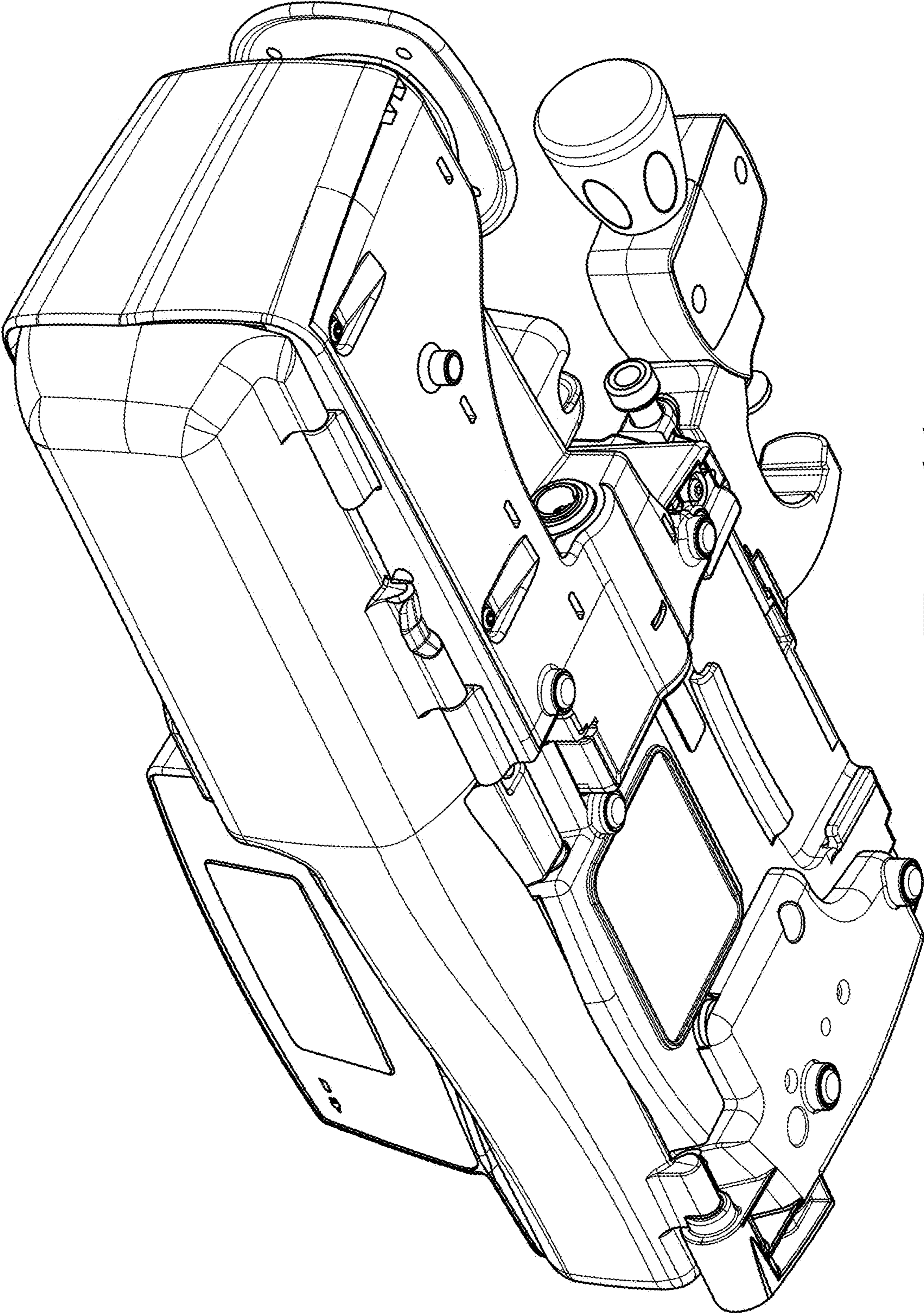


Fig. 11

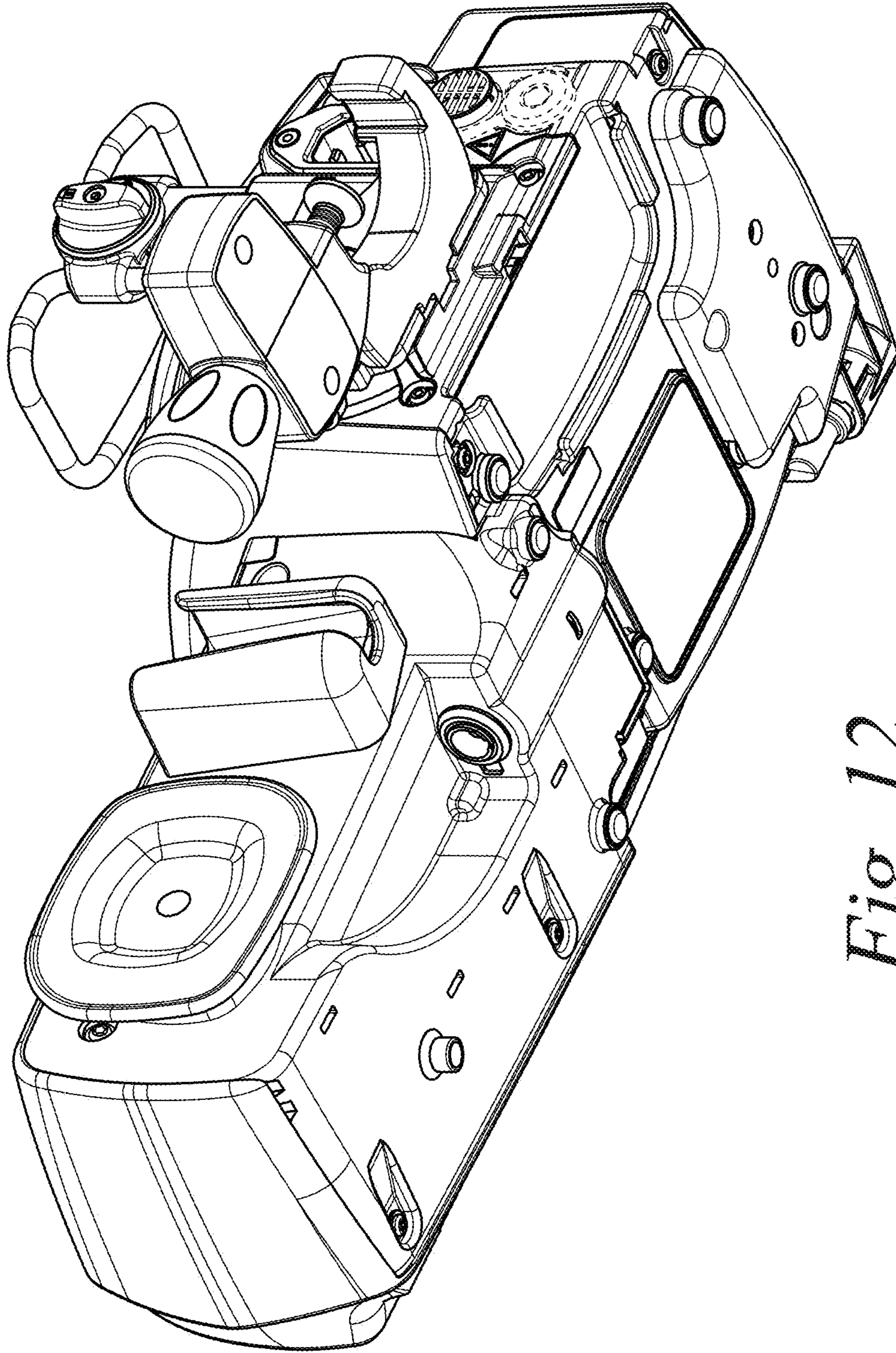


Fig. 12

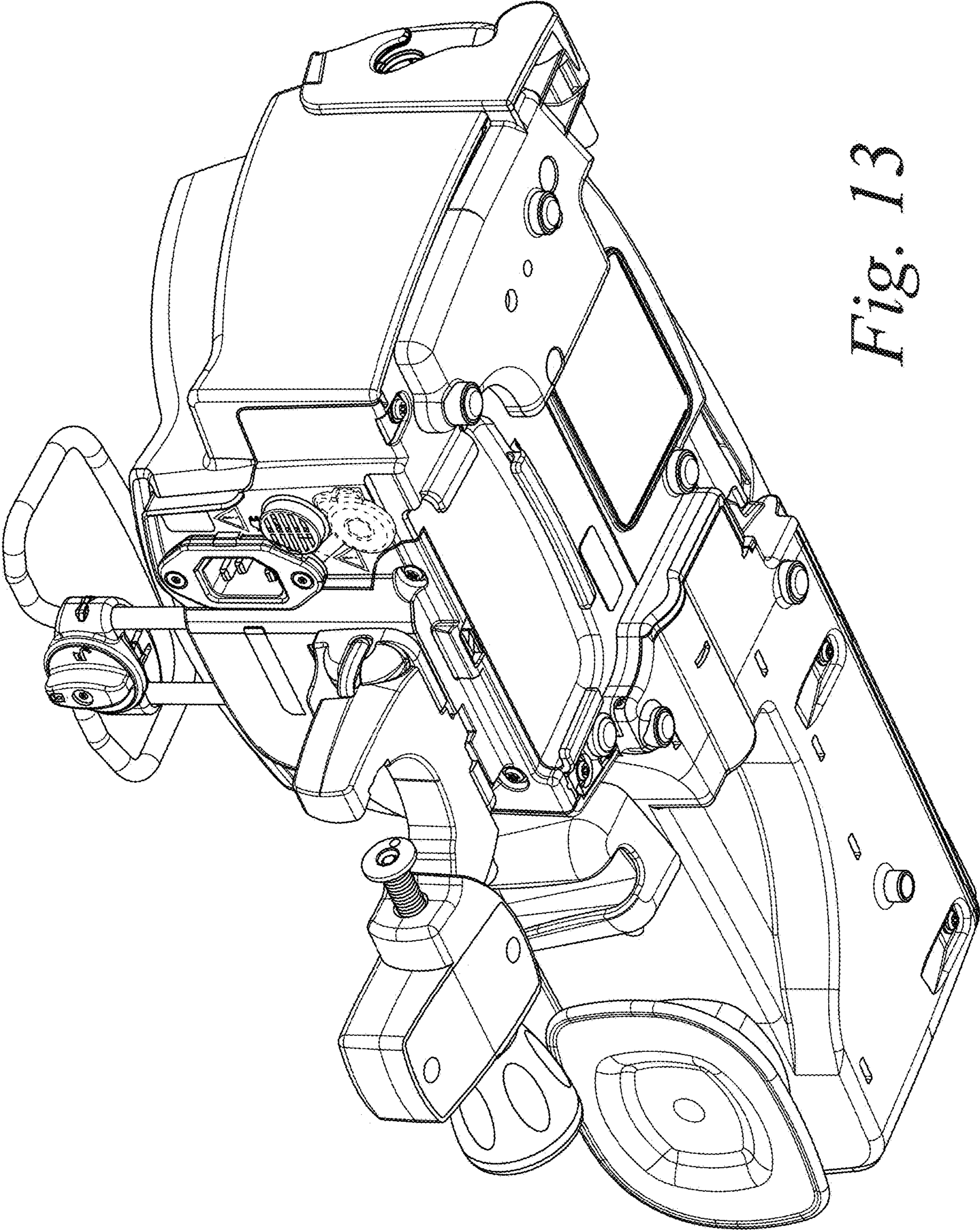


Fig. 13

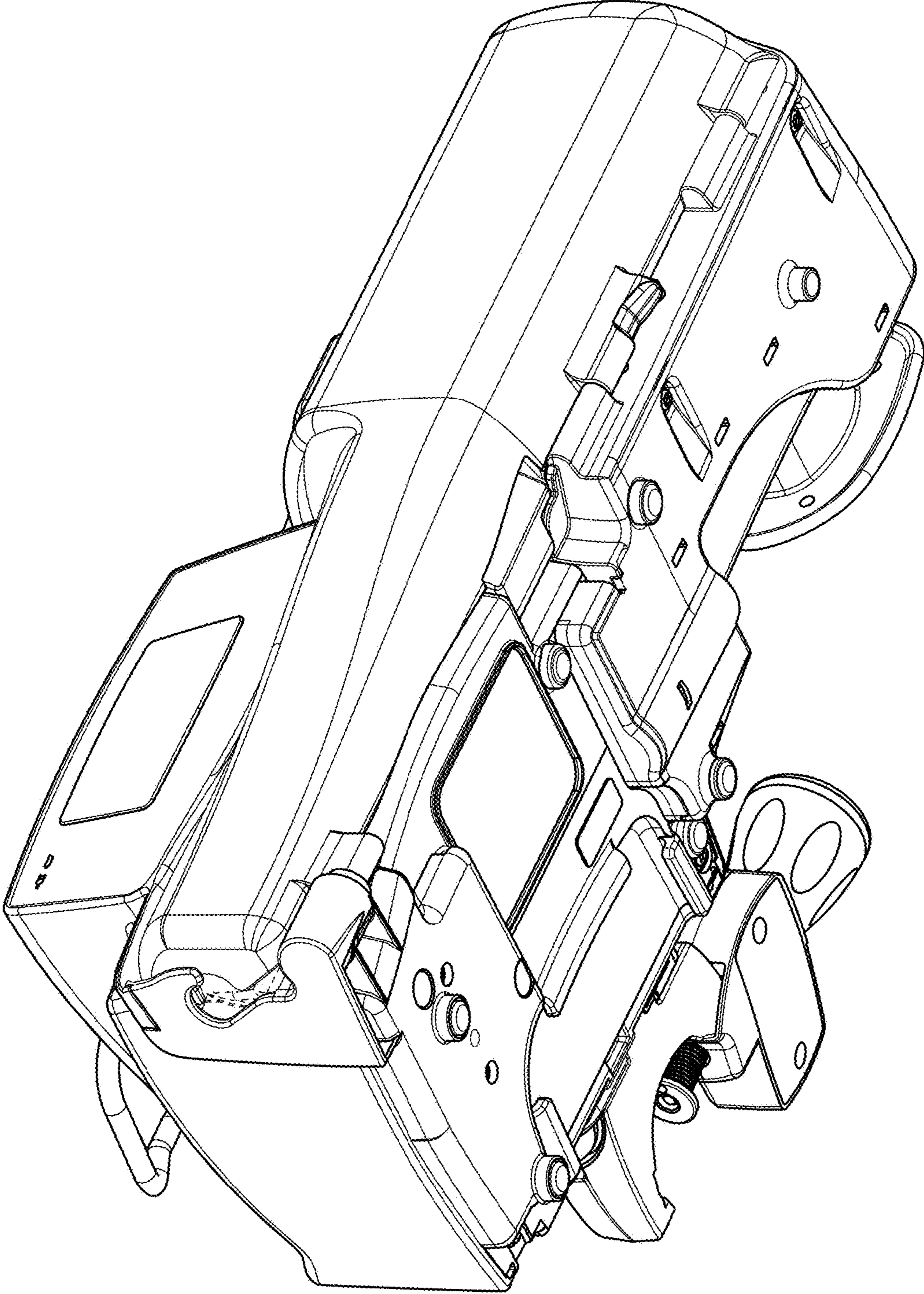


Fig. 14