



US00D909566S

(12) **United States Design Patent** (10) **Patent No.:** **US D909,566 S**
Liao (45) **Date of Patent:** **** Feb. 2, 2021**

(54) **SNORKEL MASK AND DIVING TANK ASSEMBLY**

product/snnaco-2020-new-m8038-diving-snorkeling-suit/549108139.html#redirect_detail=WAP2PC (Year: 2020).*

(71) Applicant: **SHENZHEN CP-LINK ELECTRONIC CO., LTD.**, Shenzhen (CN)

Primary Examiner — Lilyana Bekic

(72) Inventor: **Chaowu Liao**, Shenzhen (CN)

(57) **CLAIM**

(73) Assignee: **SHENZHEN CP-LINK ELECTRONIC CO., LTD.**, Shenzhen (CN)

The ornamental design for a snorkel mask and diving tank assembly, as shown and described.

(**) Term: **15 Years**

DESCRIPTION

(21) Appl. No.: **29/719,003**

FIG. 1 is a front perspective view of a snorkel mask for a snorkel mask and diving tank assembly showing my new design;

(22) Filed: **Dec. 31, 2019**

FIG. 2 is a rear perspective view thereof;

(51) **LOC (13) Cl.** **29-02**

FIG. 3 is another rear perspective view thereof;

(52) **U.S. Cl.**

FIG. 4 is a front elevational view thereof;

USPC **D24/110.2; D24/110.4**

(58) **Field of Classification Search**

FIG. 5 is a rear elevational view thereof;

USPC **D24/110-110.6; D29/110**

FIG. 6 is a left side elevational view thereof;

CPC **B63C 11/205; B63C 11/16; B63C 11/186;**

FIG. 7 is a right side elevational view thereof;

B63C 11/12

FIG. 8 is a top plan view thereof;

See application file for complete search history.

FIG. 9 is a bottom plan view thereof;

FIG. 10 is a front perspective view of a diving tank for a snorkel mask and diving tank assembly showing my new design;

(56) **References Cited**

U.S. PATENT DOCUMENTS

FIG. 11 is a rear perspective view thereof;

3,101,732 A * 8/1963 Dalla Valle A62B 9/022

FIG. 12 is a front elevational view thereof;

128/204.26

FIG. 13 is a rear elevational view thereof;

3,783,891 A * 1/1974 Christianson B63C 11/2236

FIG. 14 is a left side elevational view thereof;

137/491

FIG. 15 is a right side elevational view thereof;

D251,622 S * 4/1979 Garrison D24/110.5

FIG. 16 is a top plan view thereof;

(Continued)

FIG. 17 is a bottom plan view thereof;

FOREIGN PATENT DOCUMENTS

FIG. 18 is a front perspective view of the snorkel mask and diving tank assembly shown in a configuration of use; and,

EM 007454699-0001 * 1/2020

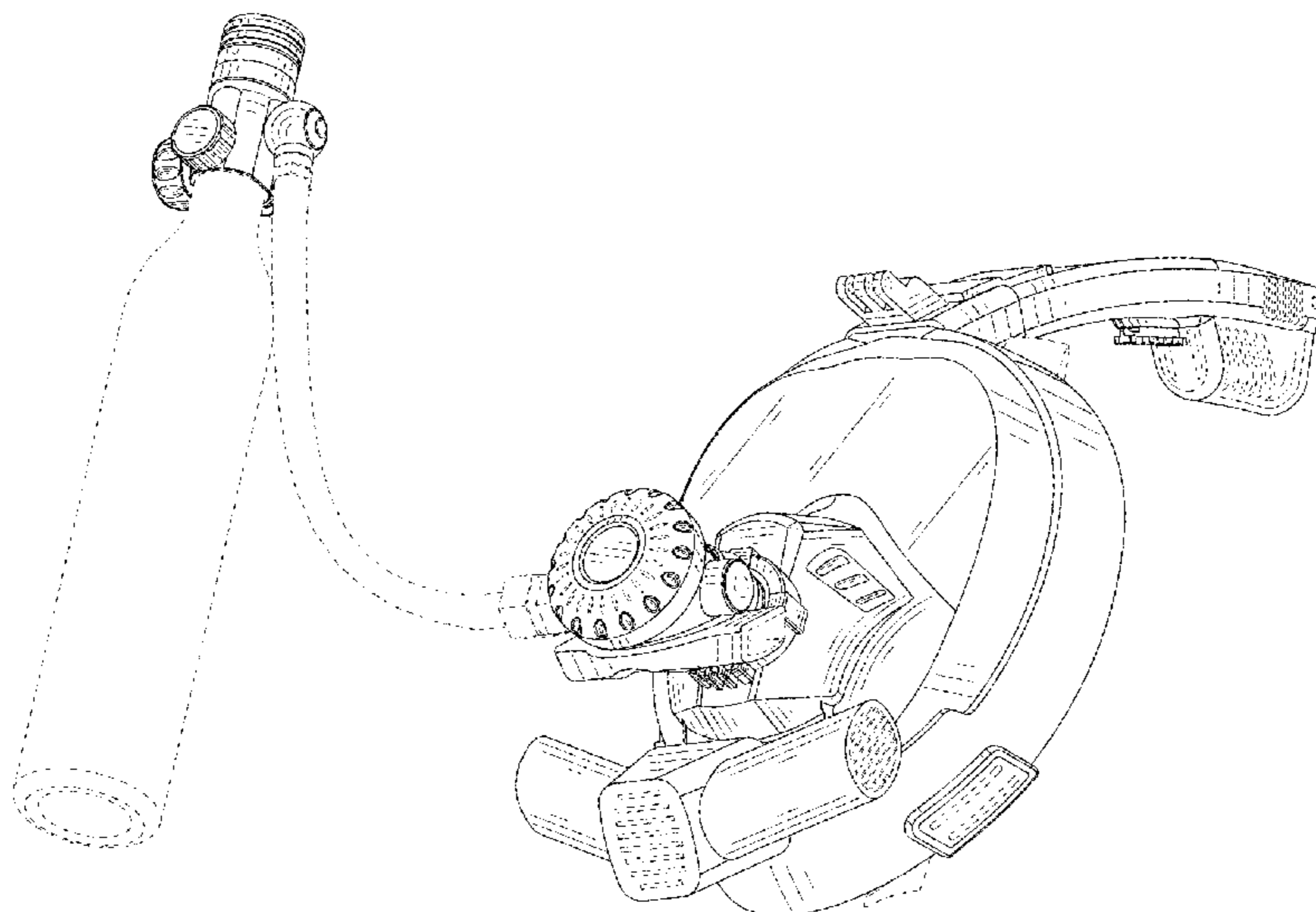
FIG. 19 is a rear perspective view thereof.

EM 007465190-0001 * 1/2020

OTHER PUBLICATIONS

SMACO 2020 New M8038 Diving Mask. DHgate.com. Date viewed: Nov. 19, 2020. Retrieved from Internet: <https://www.dhgate.com/>

1 Claim, 19 Drawing Sheets



(56)

References Cited

U.S. PATENT DOCUMENTS

4,460,089 A * 7/1984 Abbott B63C 11/18
 128/202.13
 4,683,881 A * 8/1987 Hansen B63C 11/2227
 128/204.26
 5,042,525 A * 8/1991 Clark B63C 11/18
 137/343
 D320,486 S * 10/1991 Nelepka D24/110.5
 D321,956 S * 11/1991 Williamson D24/110.5
 5,282,462 A * 2/1994 Kudo B63C 11/186
 128/204.26
 5,524,616 A * 6/1996 Smith A62B 9/00
 128/202.22
 5,690,100 A * 11/1997 Pomerantz A62B 9/02
 128/204.26
 5,829,432 A * 11/1998 Semeia B63C 11/186
 128/201.27
 6,021,778 A * 2/2000 Garofalo B63C 11/2227
 128/201.27
 6,681,766 B1 * 1/2004 Matsuoka B63C 11/2227
 128/200.25
 D838,358 S * 1/2019 Xu D24/110.2
 D839,408 S * 1/2019 Hu D24/110.2
 D849,244 S * 5/2019 Angelini D24/110.5
 D849,932 S * 5/2019 Caprice et al.
 D859,642 S * 9/2019 Xiong D24/110.2
 D860,436 S * 9/2019 Chen D24/110.2
 D863,543 S * 10/2019 Hu D24/110.2

D869,639 S * 12/2019 Liao D24/110.2
 D869,640 S * 12/2019 Fan D24/110.2
 D869,641 S * 12/2019 Sang
 D870,267 S * 12/2019 Lin
 D871,570 S * 12/2019 Pang D24/110.2
 D873,991 S * 1/2020 Chen D24/110.2
 D875,923 S * 2/2020 Cai D24/110.2
 D878,547 S * 3/2020 Hu D24/110.2
 2005/0016538 A1 * 1/2005 Pedemonte B63C 11/2227
 128/204.26
 2005/0016539 A1 * 1/2005 Pedemonte B63C 11/2227
 128/204.26
 2006/0124129 A1 * 6/2006 Wharton A61M 15/0045
 128/204.26
 2017/0096204 A1 * 4/2017 Cucchia B63C 11/12
 2017/0129576 A1 * 5/2017 Dhumpa B63C 11/186
 2017/0233046 A1 * 8/2017 Ray B63C 11/186
 29/525
 2017/0253311 A1 * 9/2017 Showers B63C 11/2227
 2018/0065719 A1 * 3/2018 Liao B63C 11/16
 2018/0265176 A1 * 9/2018 Angelini B63C 11/186
 2018/0297676 A1 * 10/2018 Zheng B63C 11/14
 2019/0002067 A1 * 1/2019 Swinko B63C 11/205
 2019/0023366 A1 * 1/2019 Liao B63C 11/16
 2019/0039702 A1 * 2/2019 Gamberini B63C 11/12
 2019/0224506 A1 * 7/2019 Palmieri B63C 11/16
 2020/0031441 A1 * 1/2020 YiHong B63C 11/16
 2020/0064632 A1 * 2/2020 Partridge G02B 5/208
 2020/0094928 A1 * 3/2020 Song B63C 11/12

* cited by examiner

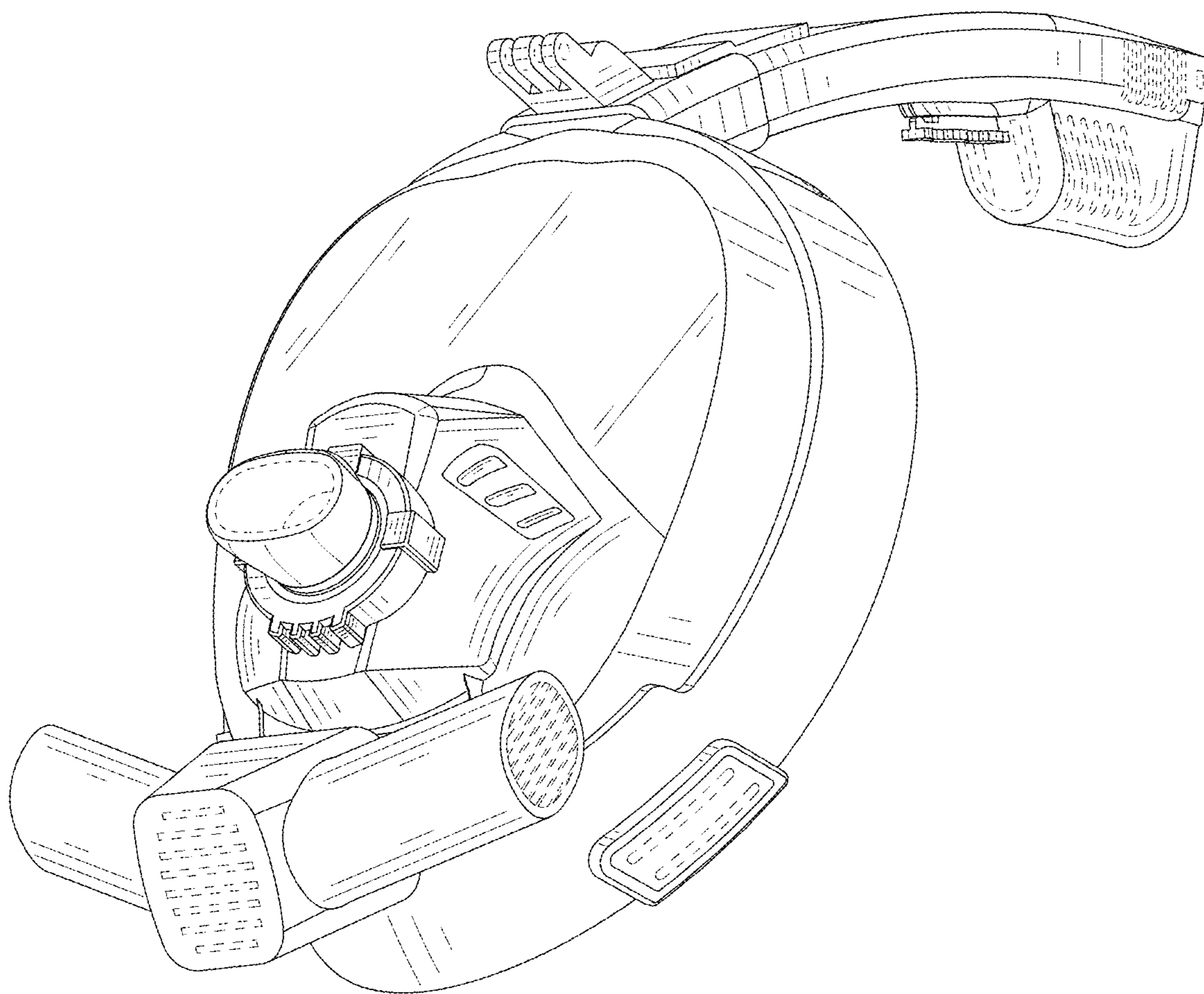


FIG. 1

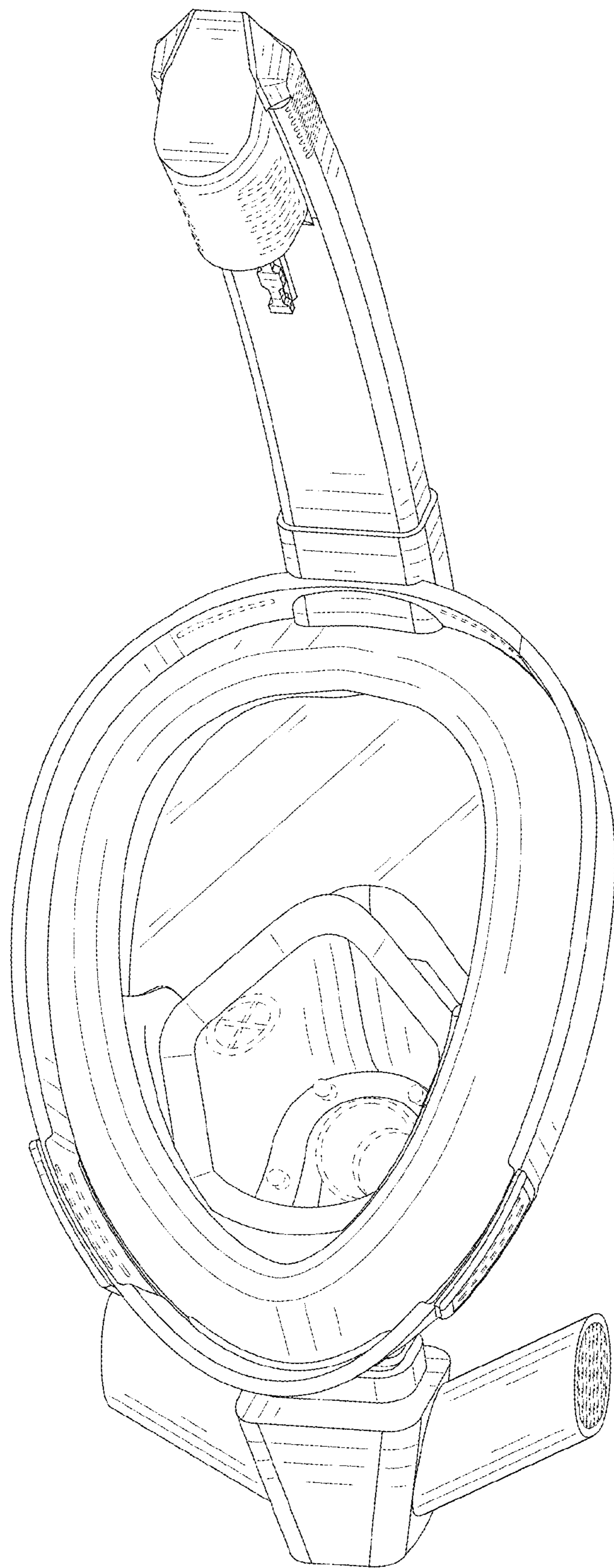


FIG. 2

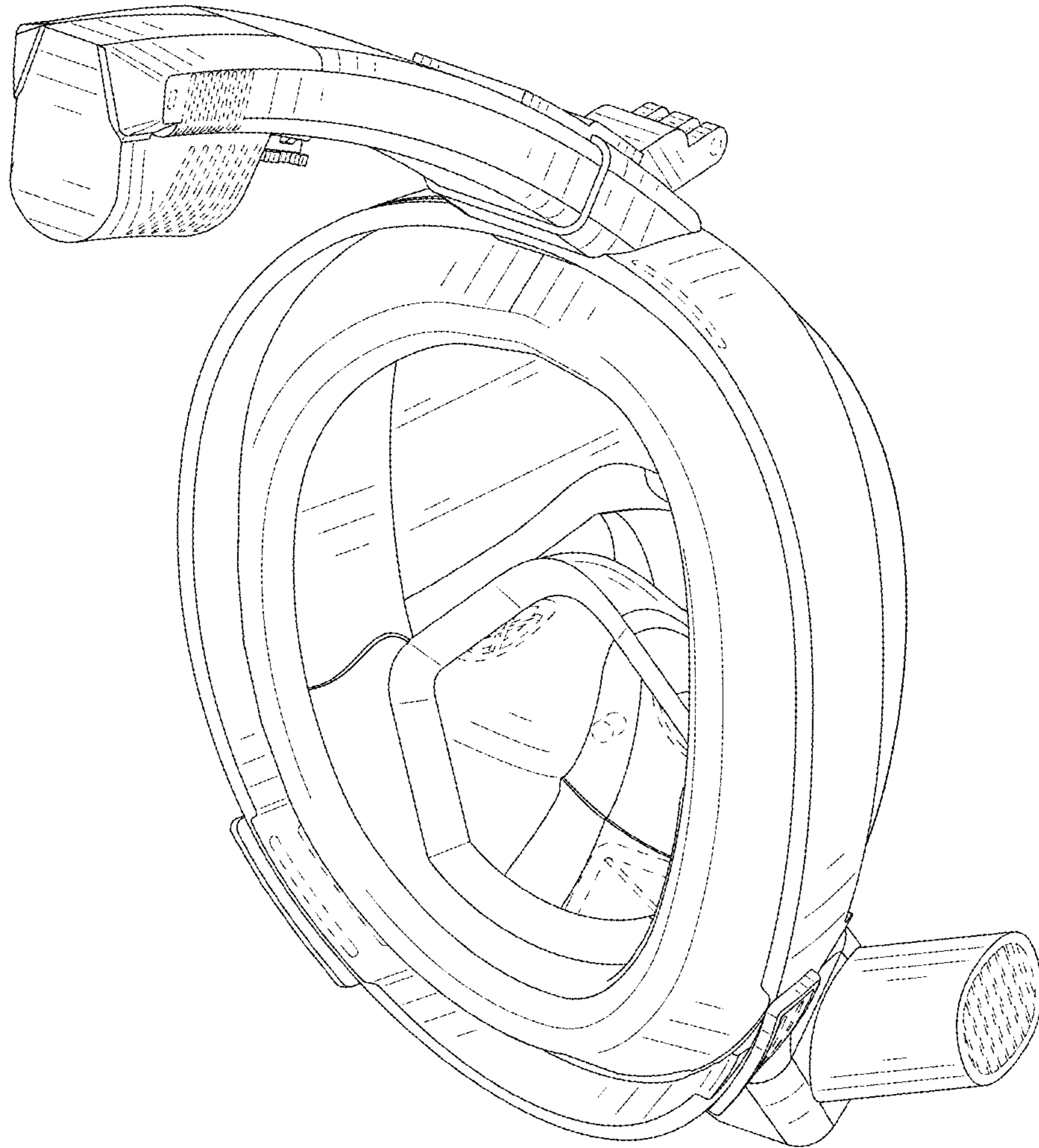


FIG. 3

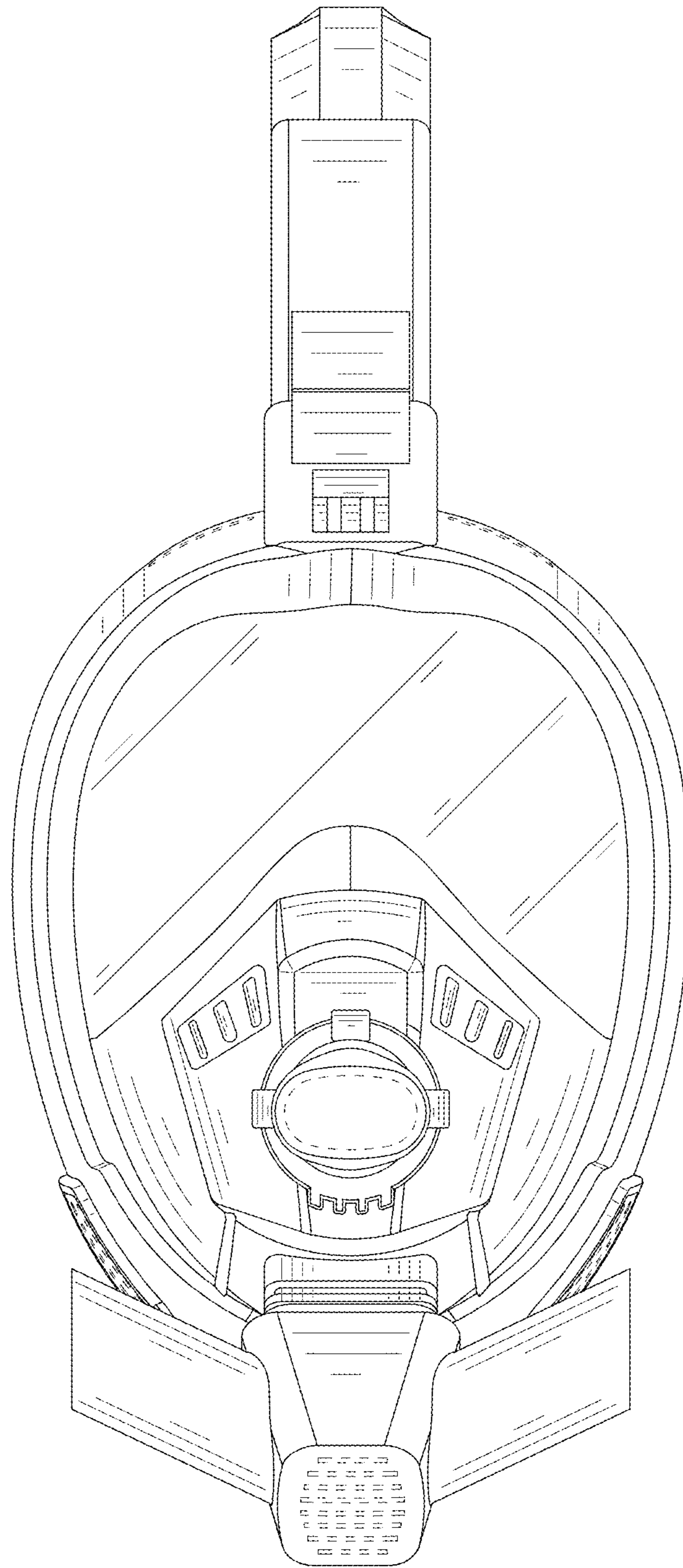


FIG. 4

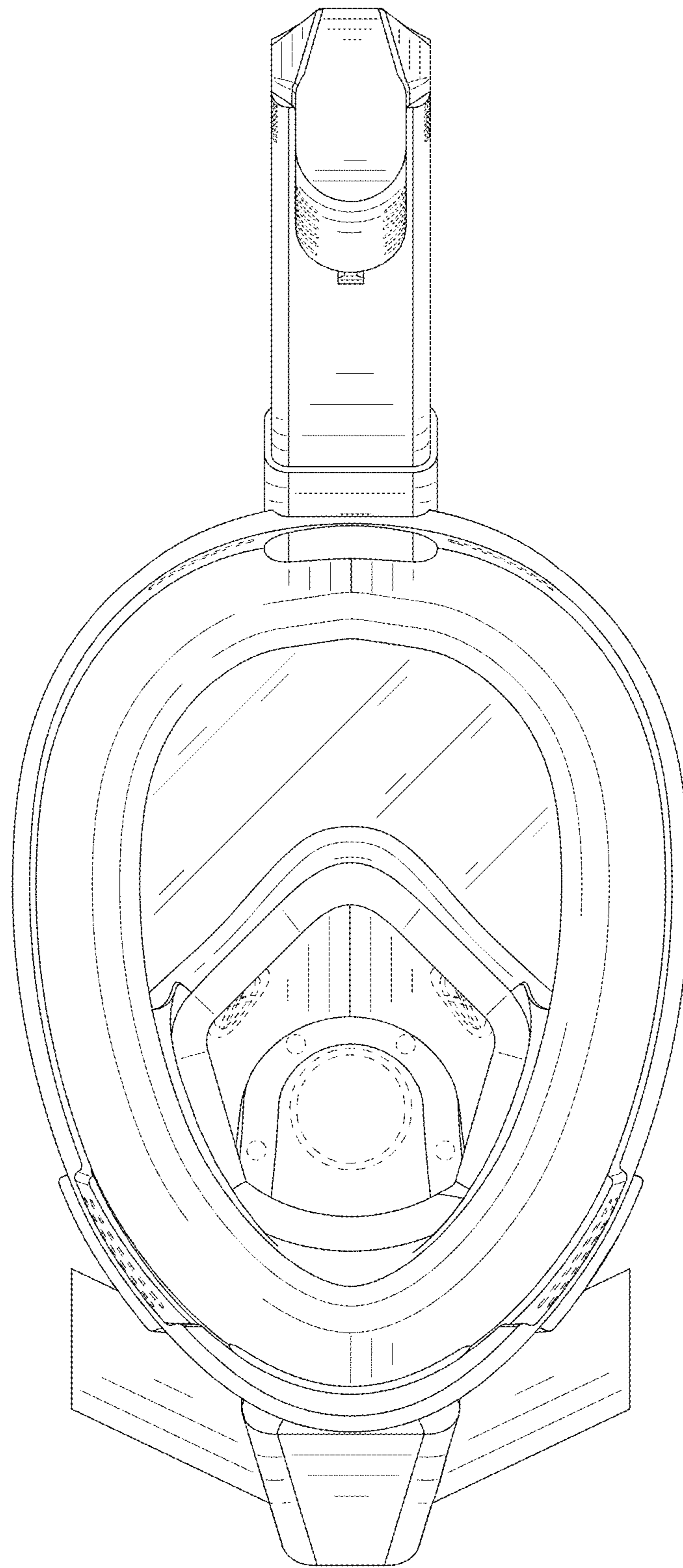


FIG. 5

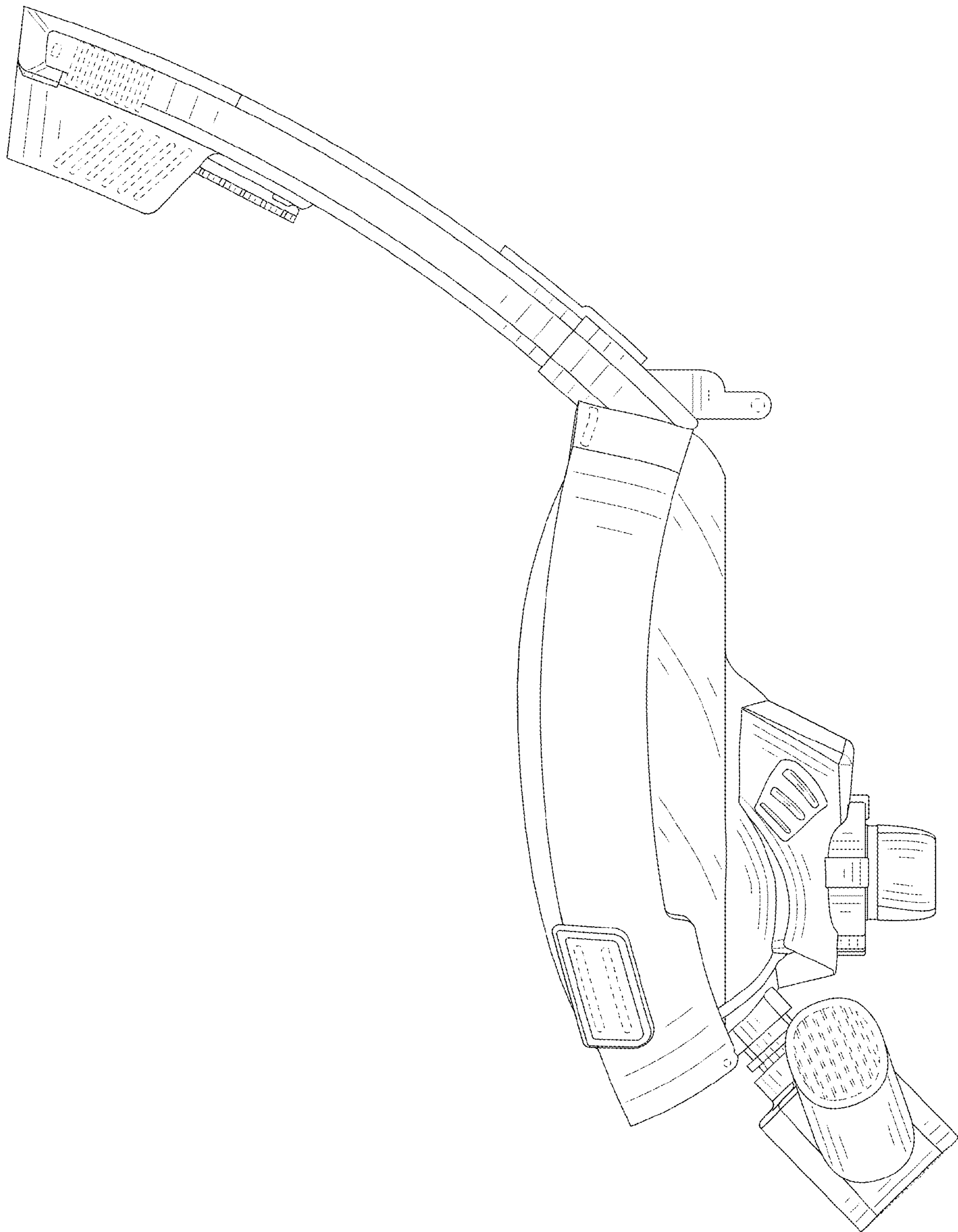


FIG. 6

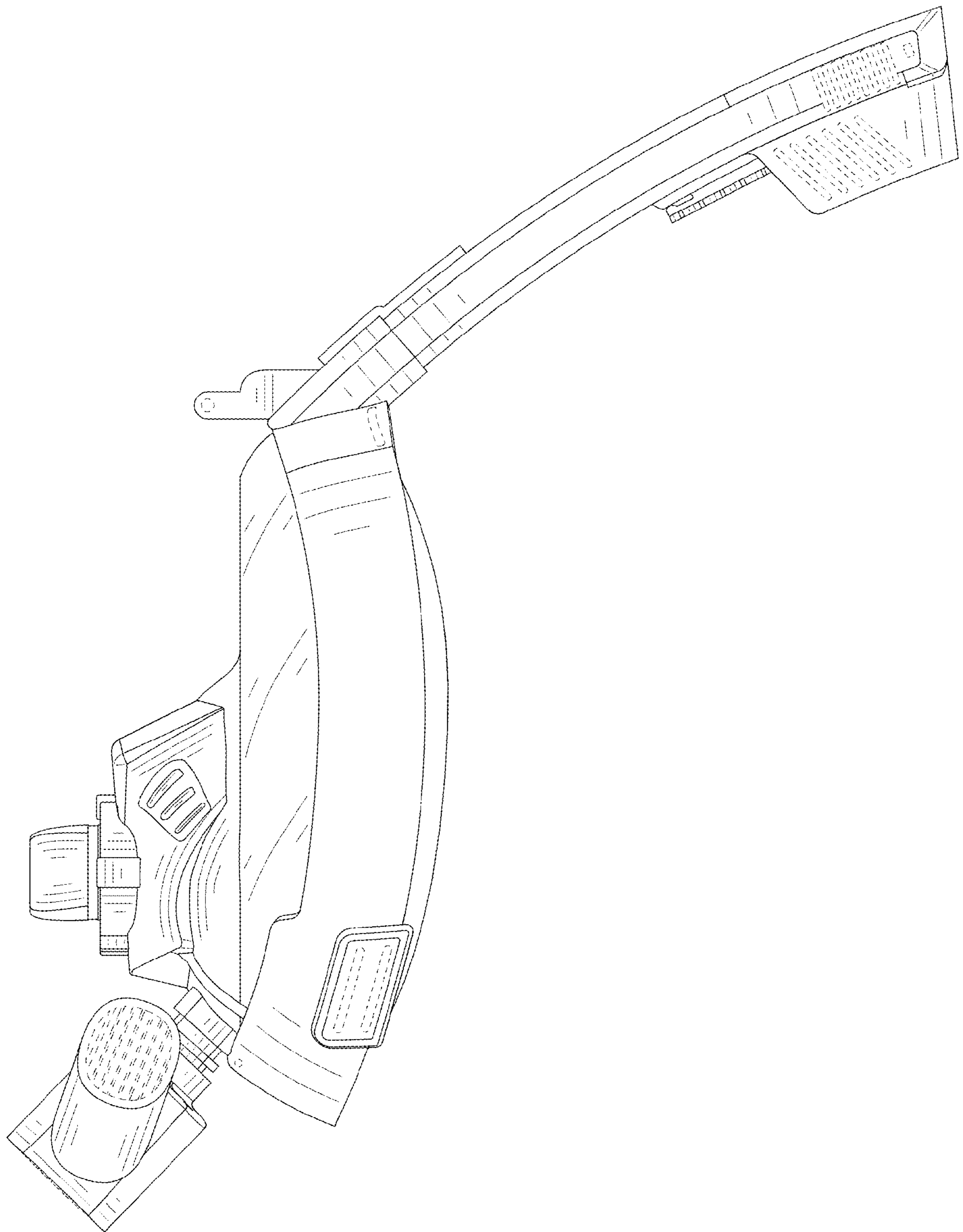


FIG. 7

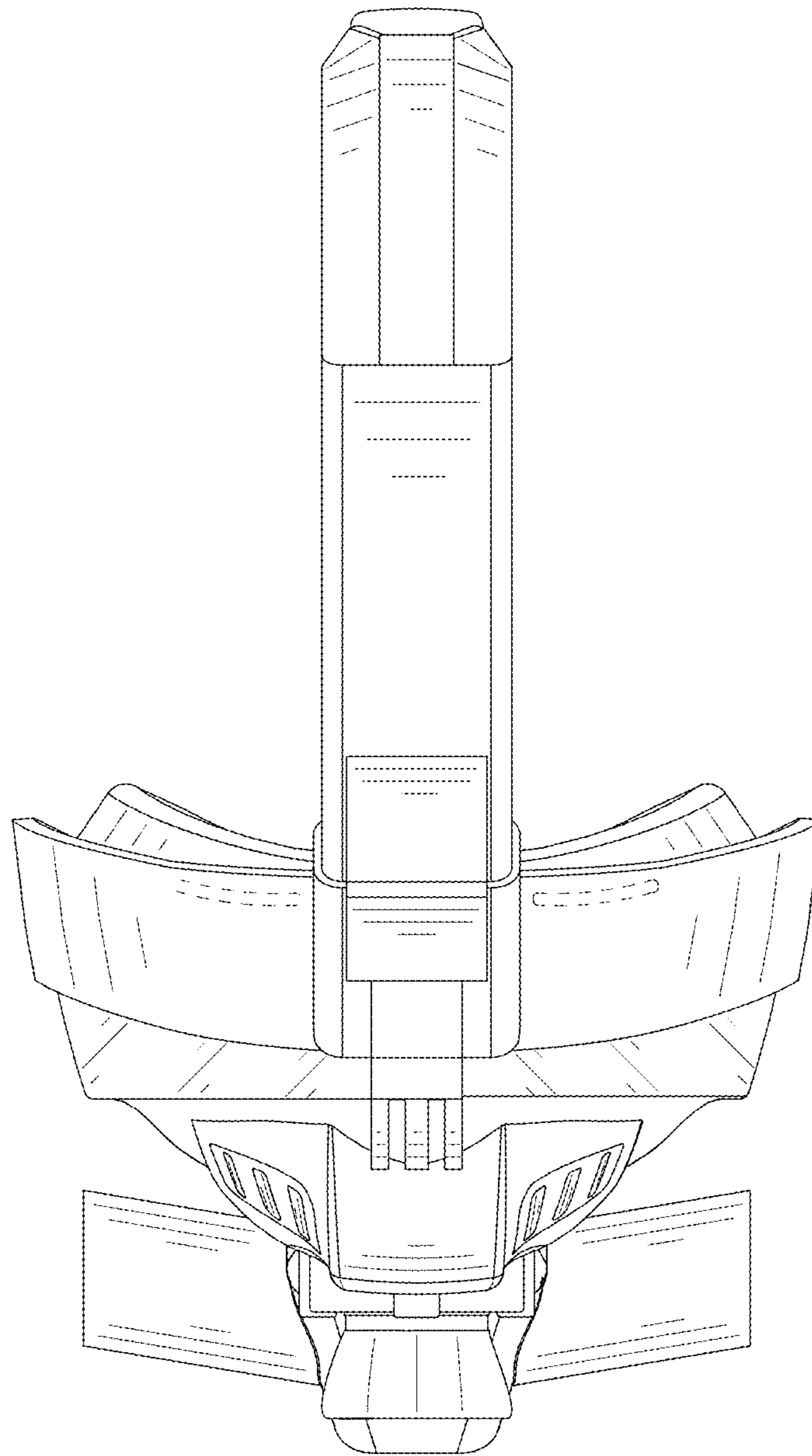


FIG. 8

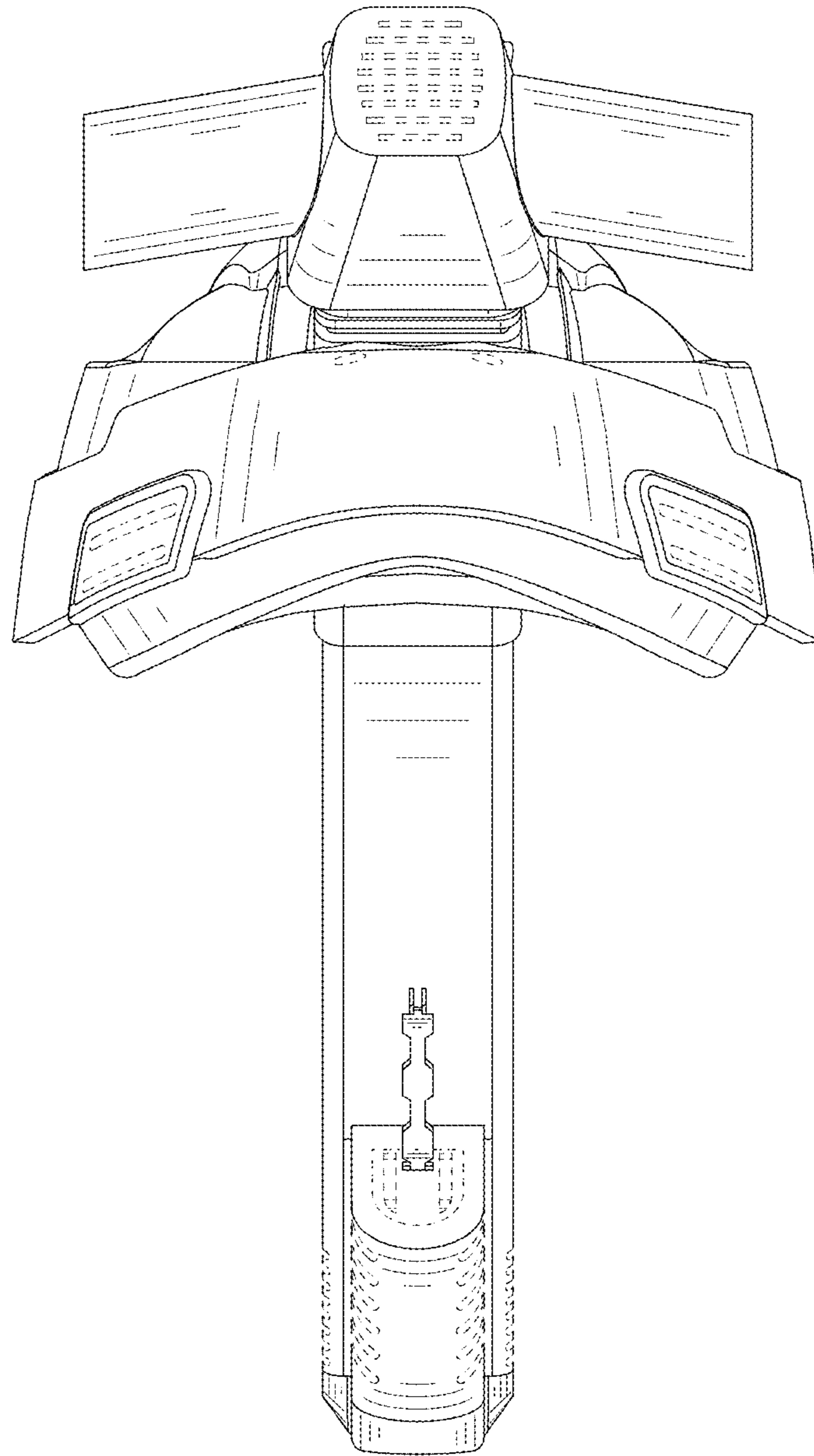


FIG. 9

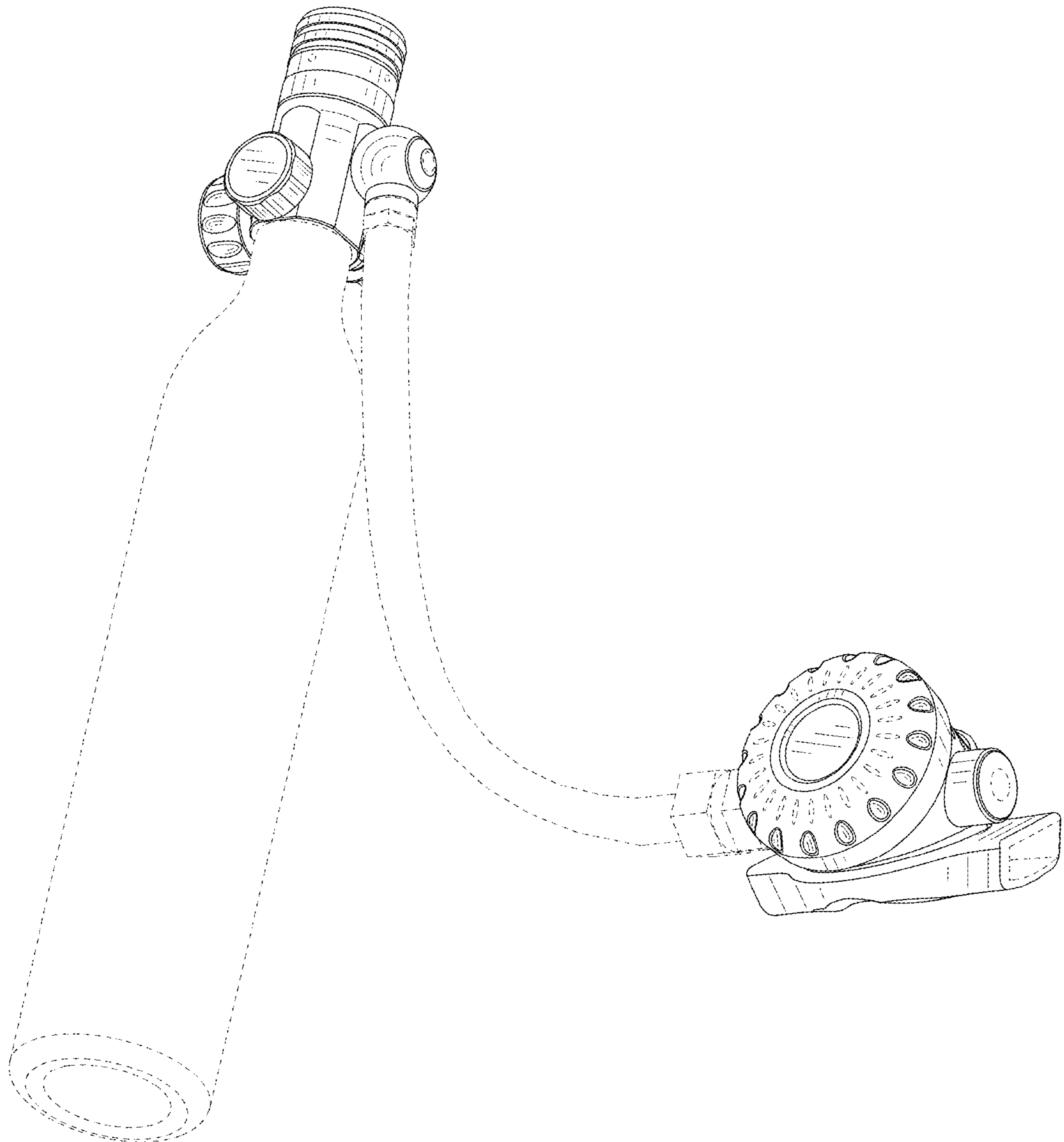


FIG. 10

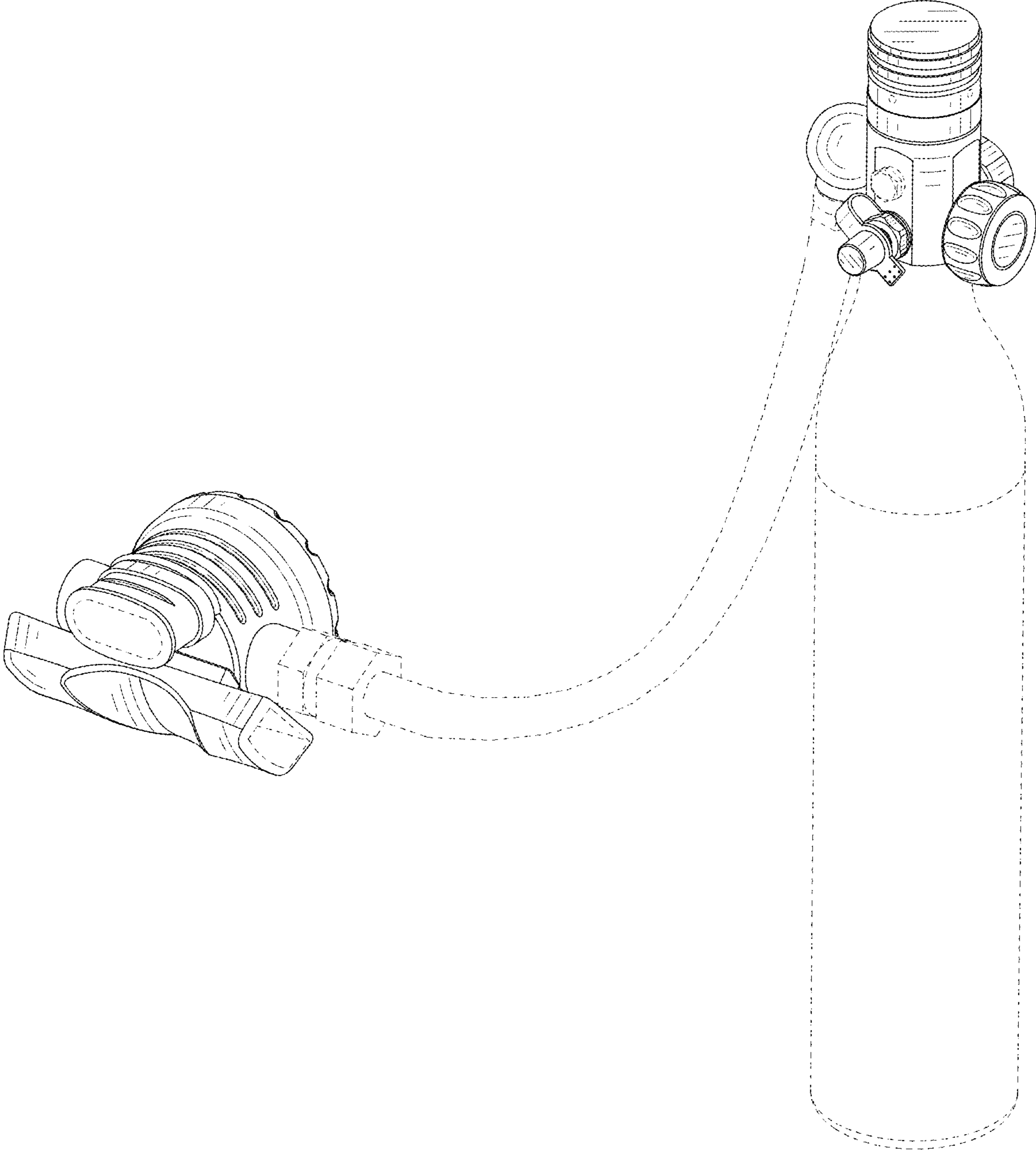


FIG. 11

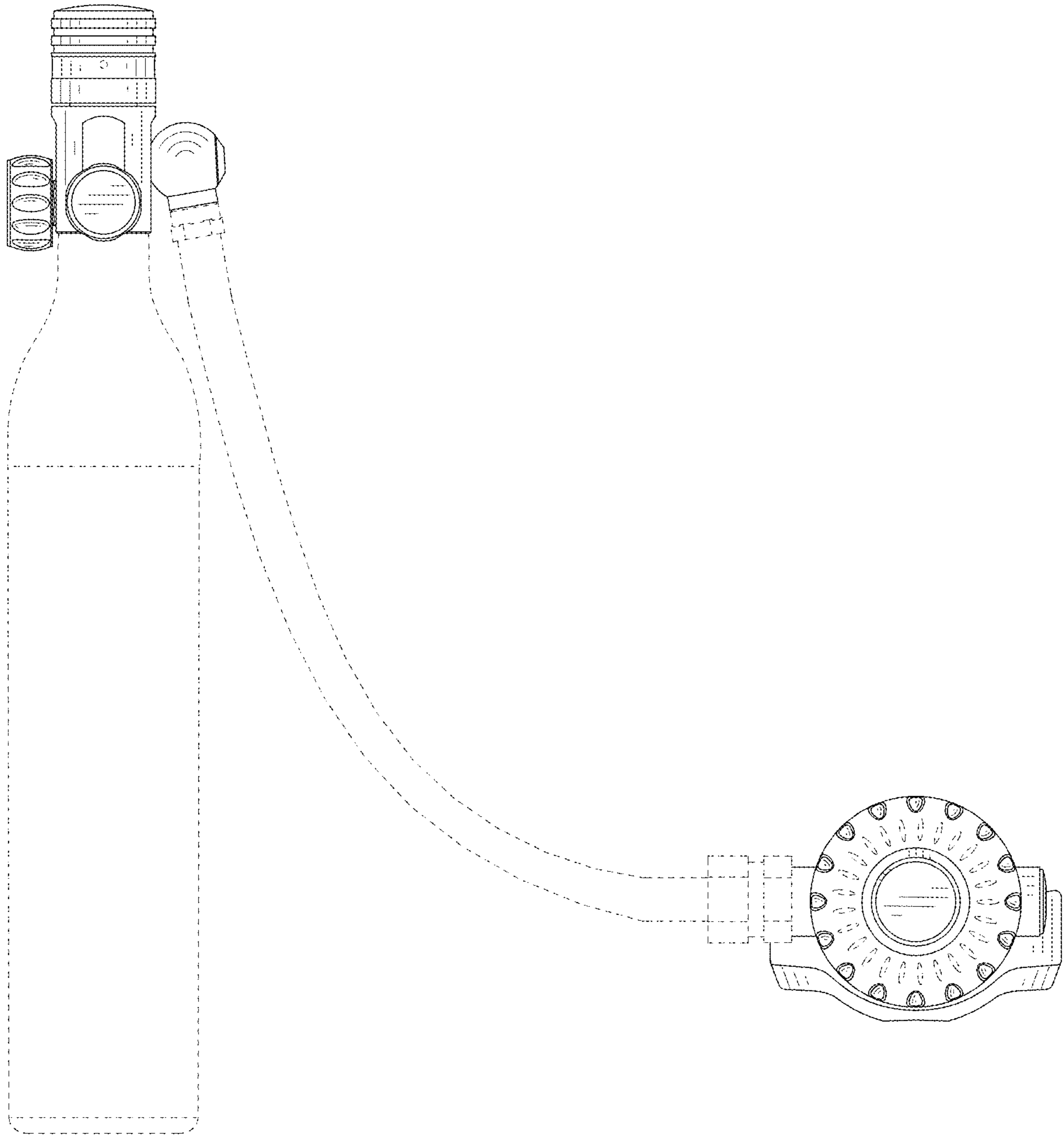


FIG. 12

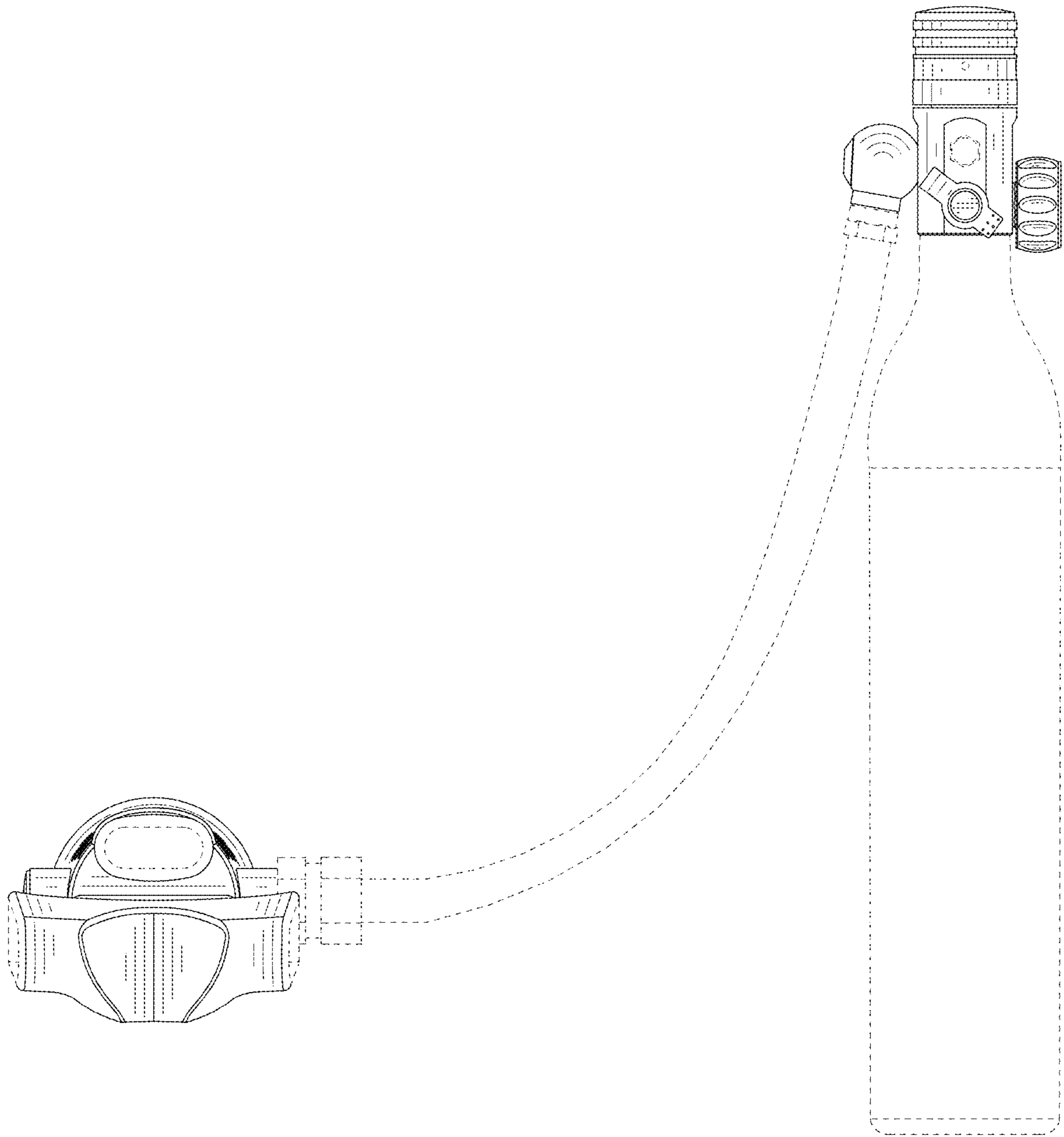


FIG. 13

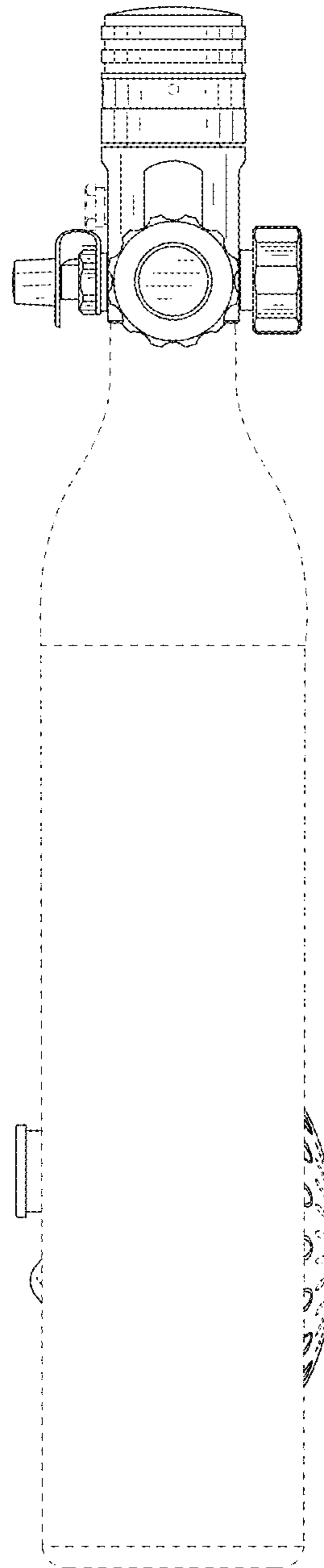


FIG. 14

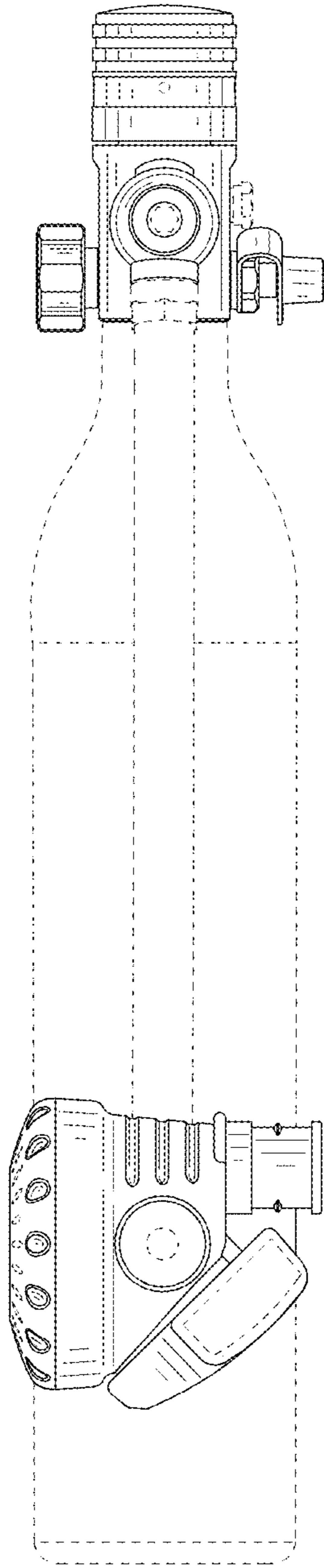


FIG. 15

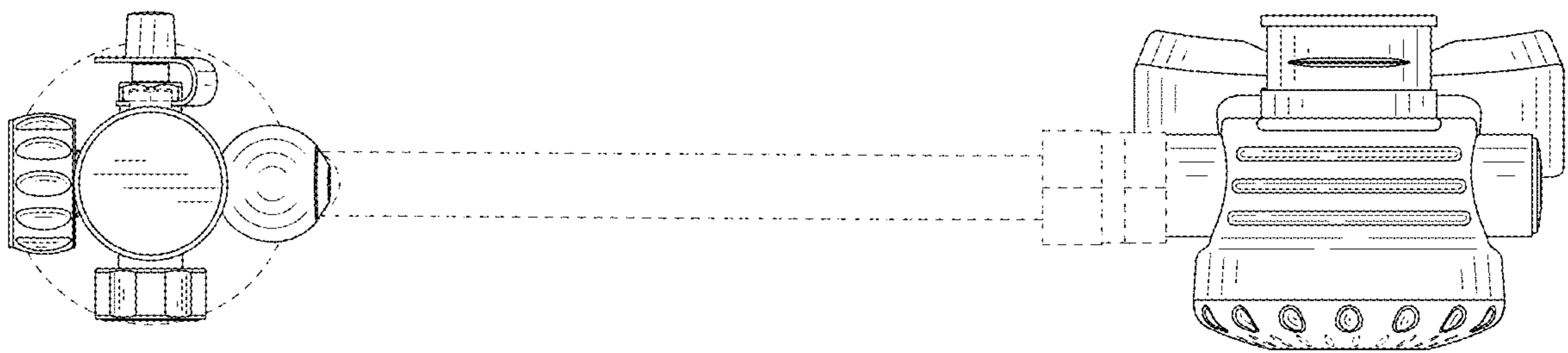


FIG. 16

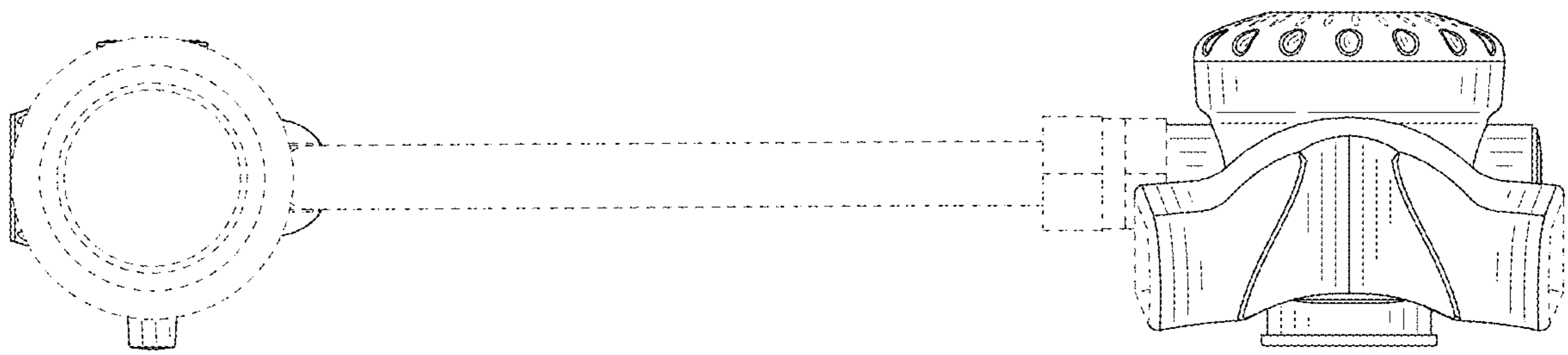


FIG. 17

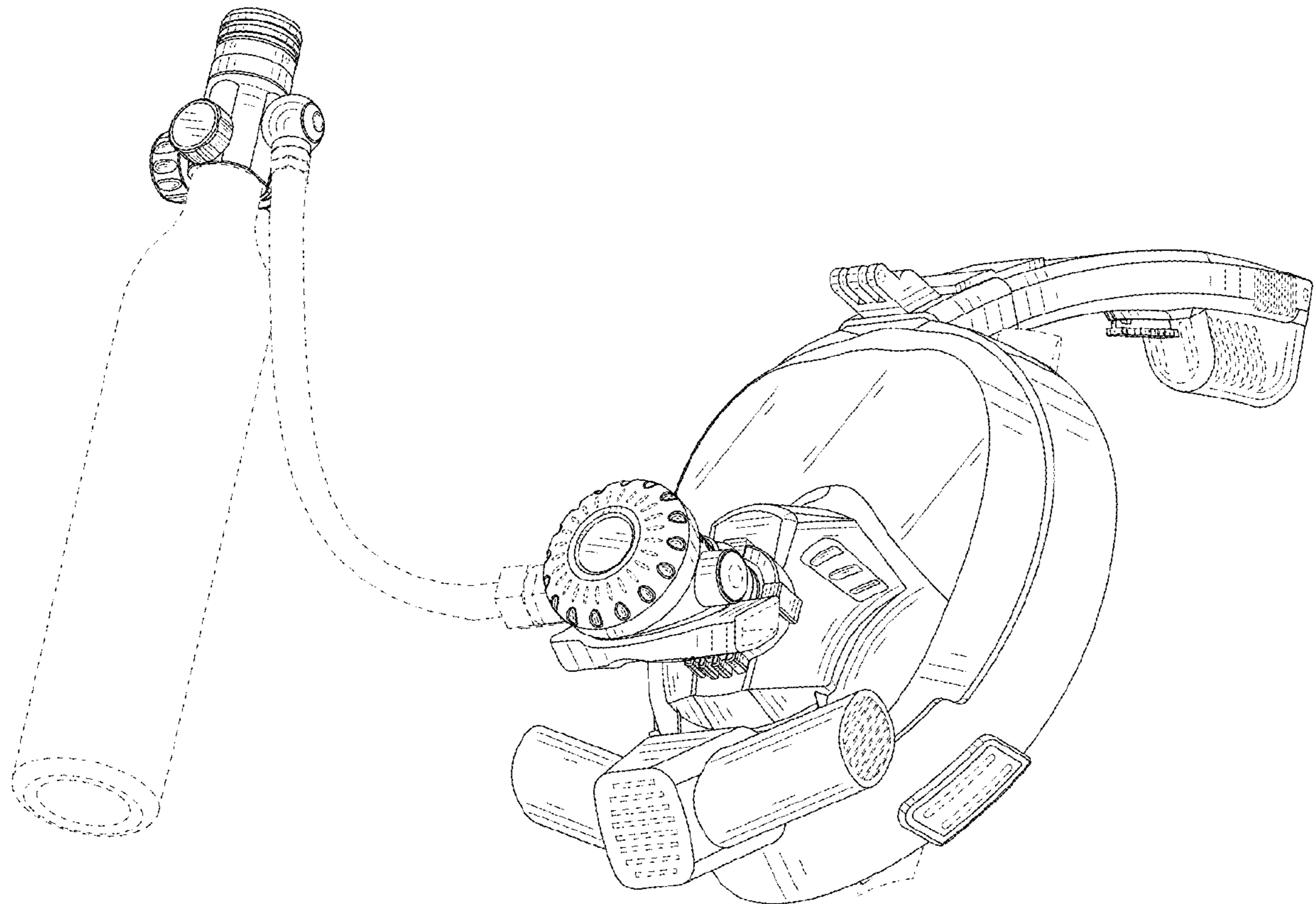


FIG. 18

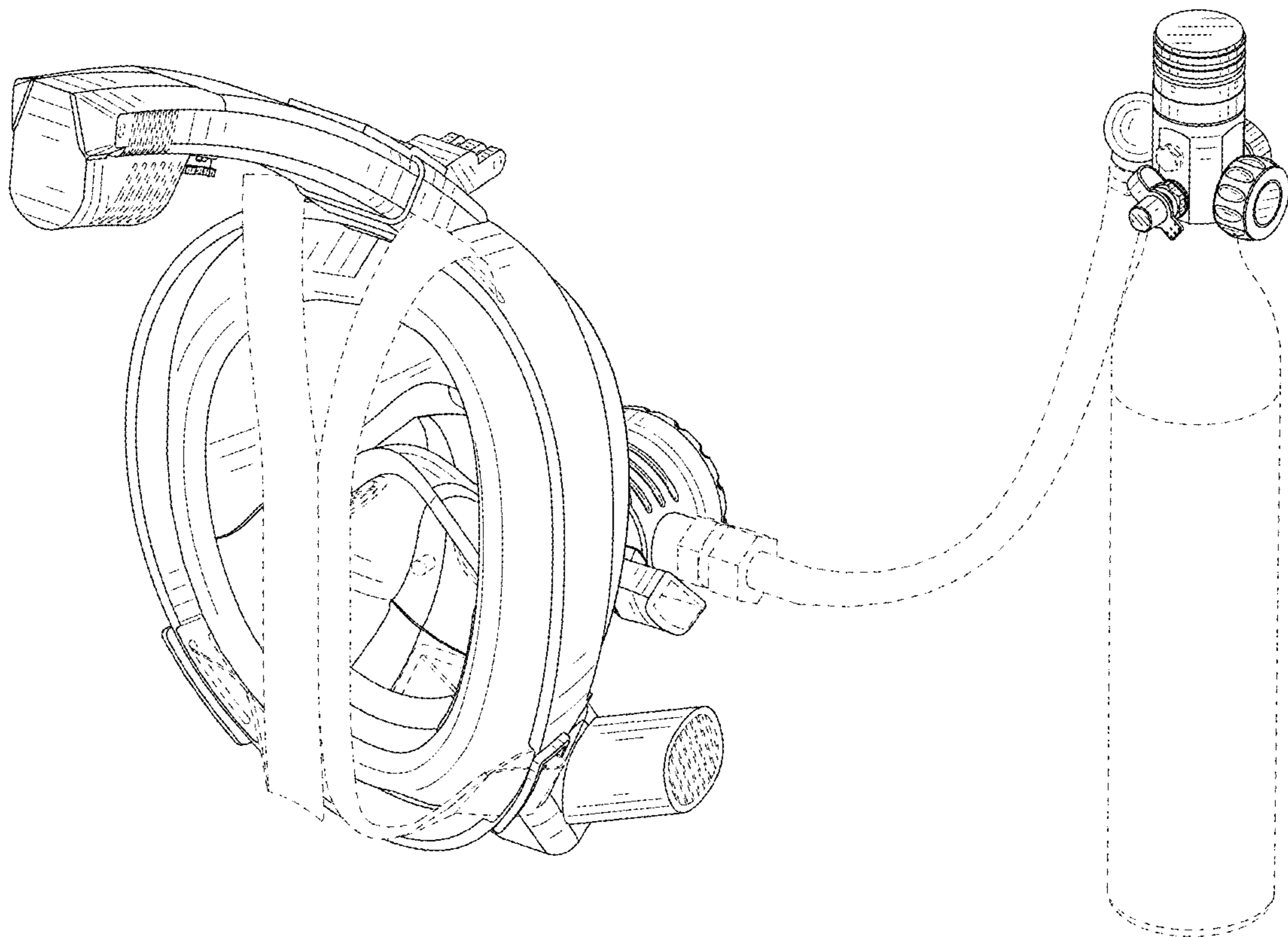


FIG. 19