



US00D909562S

(12) **United States Design Patent** (10) **Patent No.:** **US D909,562 S**  
**Badarello** (45) **Date of Patent:** **\*\* Feb. 2, 2021**

(54) **CEILING FAN BLADE**

(71) Applicant: **Hunter Fan Company**, Memphis, TN (US)

(72) Inventor: **Christophe Badarello**, Holly Springs, TN (US)

(73) Assignee: **Hunter Fan Company**, Memphis, TN (US)

(\*\*) Term: **15 Years**

(21) Appl. No.: **29/674,418**

(22) Filed: **Dec. 21, 2018**

**Related U.S. Application Data**

(63) Continuation of application No. 29/642,035, filed on Mar. 27, 2018, now Pat. No. Des. 844,772, which is a continuation of application No. 29/632,029, filed on Jan. 4, 2018, now Pat. No. Des. 825,736, which is a continuation of application No. 29/571,398, filed on Jul. 18, 2016, now Pat. No. Des. 811,578, and a continuation of application No. 29/514,397, filed on Jan. 12, 2015, now Pat. No. Des. 761,949.

(51) **LOC (13) Cl.** ..... **23-03**

(52) **U.S. Cl.**  
USPC ..... **D23/413**

(58) **Field of Classification Search**  
USPC ..... D23/377, 379, 385, 387, 411-414, 499;  
416/1, 5, 170 R, 214 R, 184, 206, 207,  
416/210 R, 220 R, 244 R, 248; 392/364;  
D26/59, 51, 72, 73, 80-86, 88, 90  
CPC .... F04D 25/088; F04D 29/601; F04D 29/322;  
F04D 29/324; F04D 29/38; F04D 29/34;  
F21V 33/0096

See application file for complete search history.

(56) **References Cited**

U.S. PATENT DOCUMENTS

1,508,086 A	7/1923	Crawford	
4,878,806 A	11/1989	Markwardt	
D346,439 S	4/1994	Liu	
5,951,253 A	9/1999	Gajewski	
D476,728 S	7/2003	Gajewski	
D483,474 S	12/2003	Young	
D503,489 S *	3/2005	Yurich	D26/85
D506,565 S *	6/2005	Yurich	D26/85

(Continued)

FOREIGN PATENT DOCUMENTS

JP	1421278 S	8/2011
JP	1491650 S	3/2014

(Continued)

OTHER PUBLICATIONS

<https://www.craftmade.com/pireos-pir48>, Craftmade Pireos Ceiling fan (Blades included), Model No. PIR48, accessed Jan. 29, 2019.

(Continued)

*Primary Examiner* — Marie D. Fast Horse

(74) *Attorney, Agent, or Firm* — McGarry Bair PC

(57) **CLAIM**

The ornamental design for a ceiling fan blade, as shown and described.

**DESCRIPTION**

FIG. 1 is a top perspective view of a combination ceiling fan blade and light kit, showing my new design in the environment of a ceiling fan;

FIG. 2 is a bottom perspective view thereof;

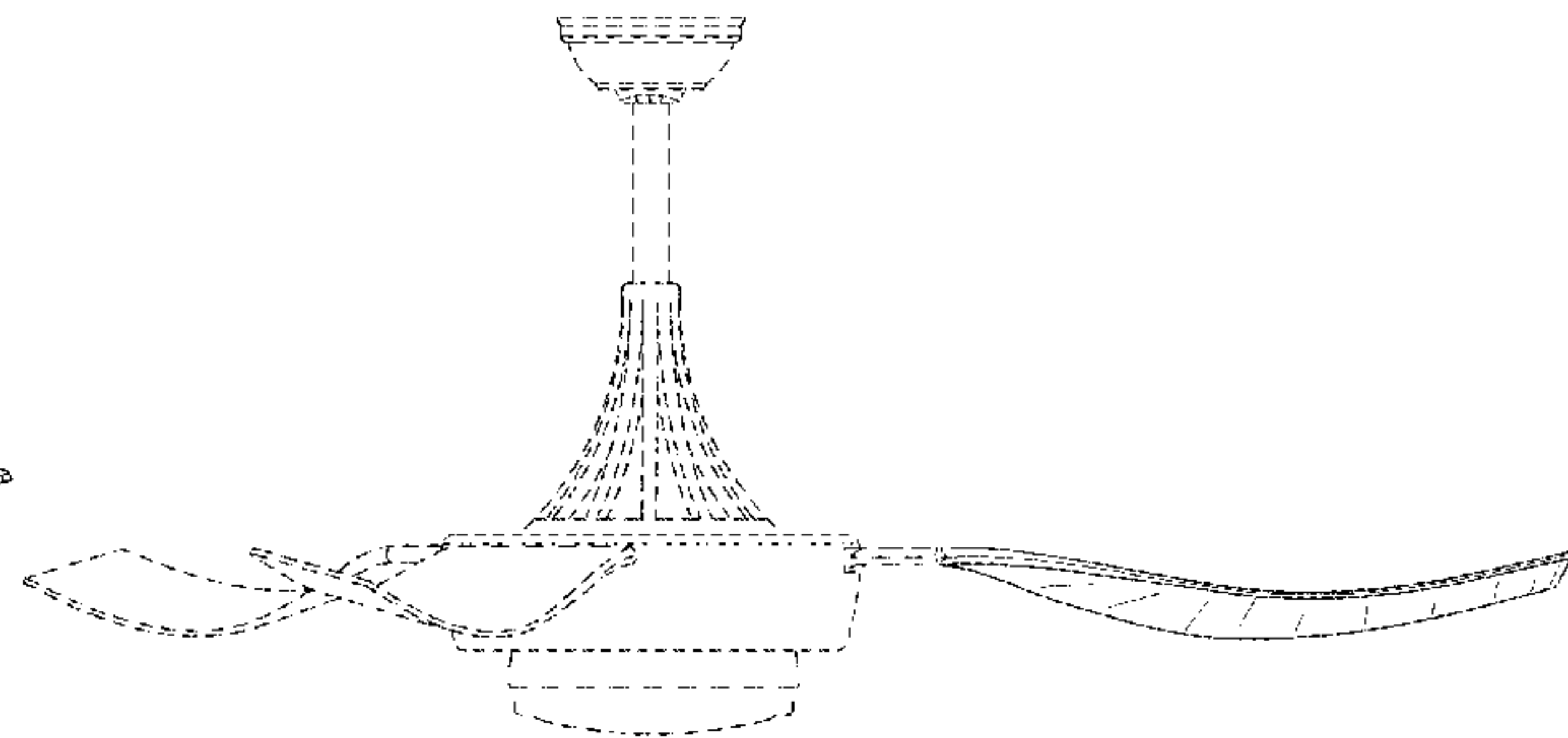
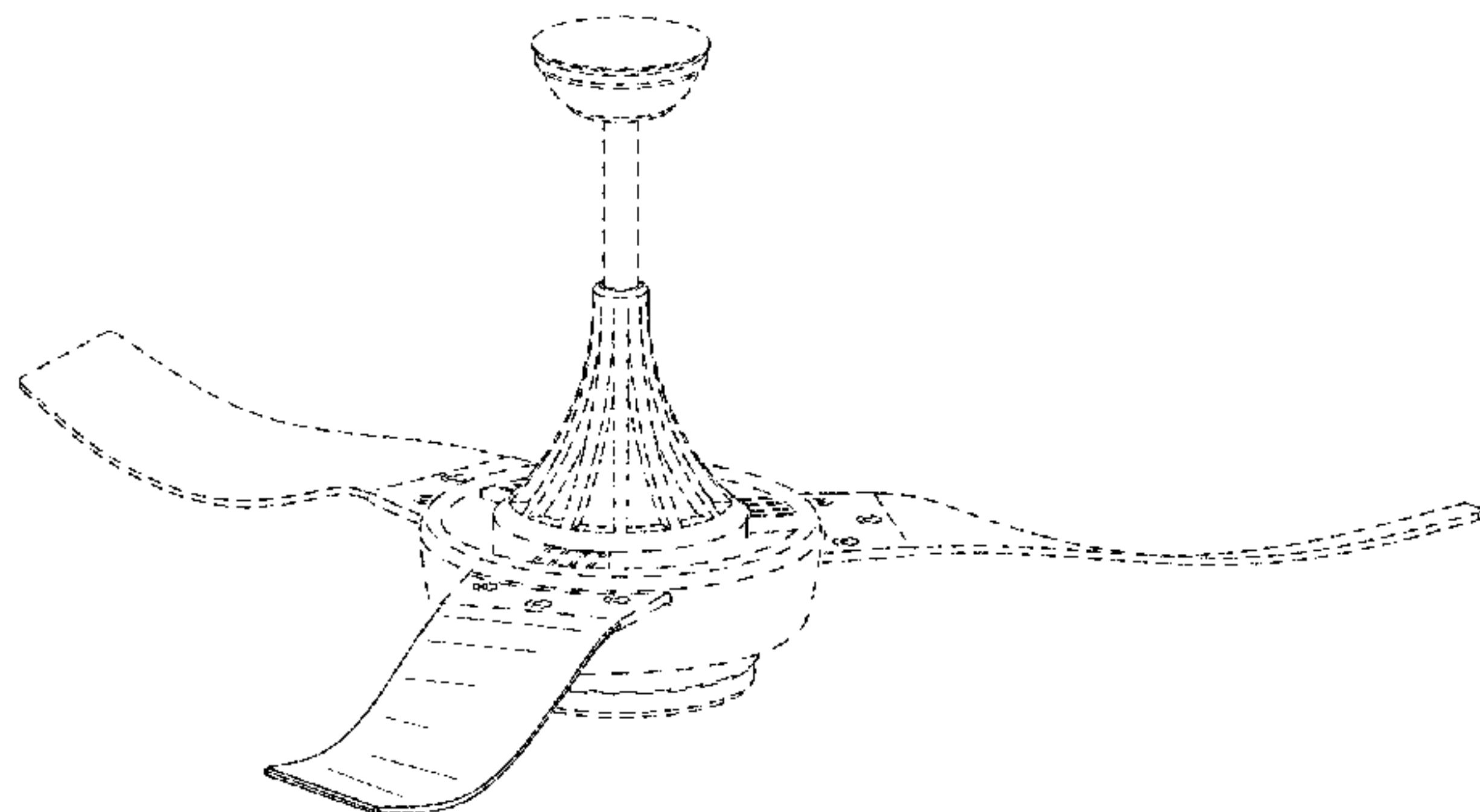
FIG. 3 is a side view thereof;

FIG. 4 is a top view thereof; and,

FIG. 5 is a bottom view thereof.

The broken lines in the drawings depict unclaimed environmental structure only and form no part of the claim.

**1 Claim, 5 Drawing Sheets**



(56)

References Cited

U.S. PATENT DOCUMENTS

D509,295 S 9/2005 Stauffer et al.  
 D515,695 S \* 2/2006 Badarello ..... D23/413  
 D519,628 S 4/2006 Young  
 D535,388 S \* 1/2007 Gajewski ..... D23/413  
 7,210,910 B1 5/2007 Parker et al.  
 D603,954 S 11/2009 Curtin  
 D603,955 S 11/2009 Patton  
 D608,935 S \* 1/2010 Pedersen ..... D26/85  
 D626,643 S 11/2010 Situ et al.  
 D627,050 S 11/2010 Pan  
 D629,501 S 12/2010 Liu  
 D631,536 S 1/2011 Wiegel et al.  
 D633,644 S \* 3/2011 Sprengers ..... D26/89  
 D645,134 S 9/2011 Lee et al.  
 8,167,564 B2 5/2012 Streng et al.  
 D662,198 S 6/2012 Abass  
 D671,632 S 11/2012 Jones et al.  
 D675,313 S 1/2013 Lindgren  
 D678,997 S 3/2013 Gajewski  
 D679,794 S 4/2013 Allen et al.  
 D679,795 S 4/2013 Allen et al.  
 D680,213 S 4/2013 Spaggiari  
 D704,819 S 5/2014 Wang  
 D706,411 S 6/2014 Wang  
 D707,336 S 6/2014 Pan  
 D707,808 S 6/2014 Wang  
 D709,175 S 7/2014 Allen et al.  
 D712,023 S 8/2014 Rasmussen  
 D712,533 S 9/2014 Allen et al.  
 D715,419 S 10/2014 Schulzman  
 D715,421 S 10/2014 Schulzman  
 D716,438 S 10/2014 Liu  
 D717,935 S 11/2014 Strecker et al.  
 D721,800 S 1/2015 Busta  
 D726,297 S 4/2015 Liu  
 D732,656 S 6/2015 Wu et al.  
 D741,989 S \* 10/2015 Wang ..... D23/413  
 D744,081 S \* 11/2015 Wang ..... D23/411  
 D744,633 S 12/2015 Wang  
 D745,657 S 12/2015 Wang  
 D761,949 S 7/2016 Badarello  
 D762,296 S \* 7/2016 Badarello ..... D23/377  
 D771,230 S 11/2016 Jones  
 D771,860 S \* 11/2016 Weiss ..... D26/110  
 D773,030 S 11/2016 Puerto  
 D773,639 S 12/2016 Shen  
 D779,648 S 2/2017 Badarello et al.  
 D780,902 S \* 3/2017 Gajewski ..... D23/377  
 D789,510 S \* 6/2017 Wang ..... D23/377  
 D795,410 S \* 8/2017 Holmes ..... D26/59  
 D797,274 S \* 9/2017 Wang ..... D23/413  
 D799,660 S \* 10/2017 Jones ..... D23/377  
 D799,661 S \* 10/2017 Holmes ..... D23/377  
 D807,491 S \* 1/2018 Hagggar ..... D23/377  
 D809,118 S \* 1/2018 Guthrie ..... D23/377  
 D809,644 S \* 2/2018 Holmes ..... D23/377  
 D810,271 S \* 2/2018 Holmes ..... D23/413  
 D810,917 S \* 2/2018 Holmes ..... D23/377  
 D810,920 S \* 2/2018 Hagggar ..... D23/377  
 D810,923 S \* 2/2018 Jones ..... D23/413  
 D811,578 S \* 2/2018 Badarello ..... D23/411  
 9,909,590 B1 3/2018 Nicholas et al.  
 D818,572 S \* 5/2018 Gajewski ..... D23/413  
 D825,736 S \* 8/2018 Badarello ..... D23/411  
 D844,771 S \* 4/2019 Badarello ..... D23/411  
 D844,772 S \* 4/2019 Badarello ..... D23/411  
 D855,788 S \* 8/2019 Hagggar ..... D23/377  
 D855,789 S \* 8/2019 Hagggar ..... D23/377  
 D861,153 S \* 9/2019 Chen ..... D23/377  
 D862,755 S \* 10/2019 Hagggar ..... D26/59  
 D875,919 S \* 2/2020 Hagggar ..... D23/411  
 D877,882 S \* 3/2020 Holmes ..... D23/411  
 D882,059 S \* 4/2020 McRoberts ..... D23/377  
 D890,322 S \* 7/2020 Chen ..... D23/377  
 2005/0129523 A1 6/2005 Liu

2007/0104583 A1\* 5/2007 Gajewski ..... F04D 25/088  
 416/210 R

2007/0231148 A1 10/2007 Lehoczky  
 2009/0324416 A1 12/2009 Bonnet

FOREIGN PATENT DOCUMENTS

JP 1491651 S 3/2014  
 JP 1503973 S 8/2014  
 JP 1504313 S 8/2014

OTHER PUBLICATIONS

<http://www.ventotw.com/EN/ENfan-fiore.html>, Pan Air Electric Co., Ltd., Vento Fiore 42" Ceiling Fan, accessed Jan. 29, 2019.  
<https://www.fanimation.com/products/index.php/fans/prop.html>, Fanimation Prop Indoor Ceiling Fan, Model No. LP8323, accessed Jan. 29, 2019.  
<http://www.kichler.com/products/product/52-inch-ridley-ii-fan-obb-300027obb.aspx>, Fanimation Ridley II Collection, 52 Inch Ridley II Fan OBB, accessed Jan. 29, 2019.  
<http://www.drii-design.com/-b-fan>, DRII Design, 四分 B-fan, Bamboo Ceiling Fan, accessed Jan. 29, 2019.  
<https://www.fanimation.com/products/index.php/fans/coop.html>, Fanimation Coop Indoor Ceiling Fan, Model No. LP8081, accessed Jan. 29, 2019.  
 Chinese Design Patent Application No. 2012030502760.4, 3 pages, filed Oct. 22, 2012.  
 Chinese Design Patent Application No. 2012030502762.3, 3 pages, filed Oct. 22, 2012.  
 Chinese Design Patent Application No. 2012030502742.6, 3 pages, filed Oct. 22, 2012.  
 Chinese Design Patent Application No. 2012030502744.5, 3 pages, filed Oct. 22, 2012.  
 Chinese Design Patent Application No. 2012030427032.1, 4 pages, filed Sep. 3, 2012.  
 Chinese Design Patent Application No. 2012030547248.1, 3 pages, filed Nov. 12, 2012.  
 Chinese Design Patent Application No. 2012030502745, 3 pages, filed Oct. 22, 2012.  
 Chinese Design Patent Application No. 2012030502750, 3 pages, filed Oct. 22, 2012.  
 Chinese Design Patent Application No. 2013030011567.5, 3 pages, filed Jan. 5, 2013.  
 Chinese Design Patent Application No. 20120306632913.3, 3 pages, filed Dec. 31, 2012.  
 Indonesian Design Patent Application No. A00201104048, 2 pages, filed Dec. 27, 2011.  
 Chinese Design Patent Application No. 2012030437341.7, 3 pages, filed Sep. 13, 2012.  
 Malaysian Design Patent Application No. 12006950103, 2 pages, filed Jun. 8, 2012.  
 Chinese Design Patent Application No. 2012030427033.6, 7 pages, filed Sep. 3, 2012.  
 Chinese Design Patent Application No. 2012030472038, 3 pages, filed Sep. 29, 2012.  
 Chinese Design Patent Application No. 2014030325787, 4 pages, filed Sep. 4, 2014.  
 Chinese Design Patent Application No. 2014030325768.7, 4 pages, filed Sep. 4, 2014.  
 Chinese Design Patent Application No. 2014030325770.4, 4 pages, filed Sep. 4, 2014.  
 Chinese Design Patent Application No. 2014030325766.8, 4 pages, filed Sep. 4, 2014.  
 Chinese Design Patent Application No. 2014030174148.8, 4 pages, filed Jun. 10, 2014.  
 Chinese Design Patent Application No. 2014030191877.4, 10 pages, filed Jun. 20, 2014.  
 Chinese Design Patent Application No. 2014030233350.3, 4 pages, filed Jul. 11, 2014.  
 Chinese Design Patent Application No. 2014030231345.9, 4 pages, filed Jul. 10, 2014.



(56)

**References Cited**

## OTHER PUBLICATIONS

Chinese Design Patent Application No. 2014030231316.2, 4 pages, filed Jul. 10, 2014.  
Chinese Design Patent Application No. 2014030231202.8, 4 pages, filed Jul. 10, 2014.  
Chinese Design Patent Application No. 2014030172120, 4 pages, filed Jun. 9, 2014.  
Chinese Design Patent Application No. 2014030130139.9, 4 pages, filed May 13, 2014.  
Chinese Design Patent Application No. 2014030177887.2, 4 pages, filed Jun. 12, 2014.  
Chinese Design Patent Application No. 2014030144586, 4 pages, filed May 22, 2014.  
Chinese Design Patent Application No. 2014030057216.2, 4 pages, filed Mar. 20, 2014.  
Chinese Design Patent Application No. 2014030019926.6, 4 pages, filed Jan. 24, 2014.  
Chinese Design Patent Application No. 2014030093329.8, 6 pages, filed Apr. 17, 2014.  
Malaysian Design Patent Application No. 13E02060101, 2 pages, filed Nov. 29, 2013.  
Chinese Design Patent Application No. 2014030001289, 4 pages, filed Jan. 3, 2014.  
Chinese Design Patent Application No. 2014030045335.6, 4 pages, filed Mar. 10, 2014.  
Chinese Design Patent Application No. 2014030037912.7, 4 pages, filed Feb. 28, 2014.  
Chinese Design Patent Application No. 2013030652246.3, 4 pages, filed Dec. 27, 2013.  
Chinese Design Patent Application No. 2014030001286.6, 4 pages, filed Jan. 3, 2014.  
Chinese Design Patent Application No. 2013030609071.8, 4 pages, filed Dec. 9, 2013.  
Chinese Design Patent Application No. 2013030530710.1, 4 pages, filed Nov. 7, 2013.  
Chinese Design Patent Application No. 2013030544891.3, 4 pages, filed Nov. 14, 2013.  
Chinese Design Patent Application No. 2013030569022.6, 6 pages, filed Nov. 22, 2013.  
Chinese Design Patent Application No. 2013030485328.3, 3 pages, filed Oct. 15, 2013.  
European Design Patent Application No. 002439216, 3 pages, filed Apr. 3, 2014.

European Design Patent Application No. 002426957, 2 pages, filed Mar. 18, 2014.  
Chinese Design Patent Application No. 2013030432391, 3 pages, filed Sep. 2, 2013.  
Chinese Design Patent Application No. 2013030432336.1, 3 pages, filed Sep. 2, 2013.  
Chinese Design Patent Application No. 2013030333571.3, 7 pages, filed Jul. 16, 2013.  
Malaysian Design Patent Application No. 13E00140101, 2 pages, filed Aug. 2, 2013.  
Malaysian Design Patent Application No. 13E00170101, 2 pages, filed Aug. 2, 2013.  
Chinese Design Patent Application No. 2013030303751.7, 3 pages, filed Jul. 3, 2013.  
Malaysian Design Patent Application No. 13004710101, 1 page, filed Sep. 4, 2013.  
Indonesian Design Patent Application No. A00201302076, 3 pages, filed Jun. 7, 2013.  
Indonesian Design Patent Application No. A00201302075, 3 pages, filed Jun. 7, 2013.  
Indonesian Design Patent Application No. A00201302072, 2 pages, filed Jun. 7, 2013.  
Indonesian Design Patent Application No. A00201302073, 3 pages, filed Jun. 7, 2013.  
Indonesian Design Patent Application No. A00201202004, 2 pages, filed Jun. 4, 2012.  
Indonesian Design Patent Application No. A00201202002, 2 pages, filed Jun. 4, 2012.  
Malaysian Design Patent Application No. 13E00160101, 2 pages, filed Aug. 2, 2013.  
Malaysian Design Patent Application No. 13E00220101, 3 pages, filed Aug. 2, 2013.  
Malaysian Design Patent Application No. 12E00890101, 2 pages, filed May 9, 2012.  
Chinese Design Patent Application No. 2012030502827.4, 4 pages, filed Oct. 22, 2012.  
Chinese Design Patent Application No. 2013030104236.6, 4 pages, filed Apr. 9, 2013.  
Chinese Design Patent Application No. 2012030502812.8, 4 pages, filed Oct. 22, 2012.  
Chinese Design Patent Application No. 2012030502764.2, 4 pages, filed Oct. 22, 2012.

\* cited by examiner



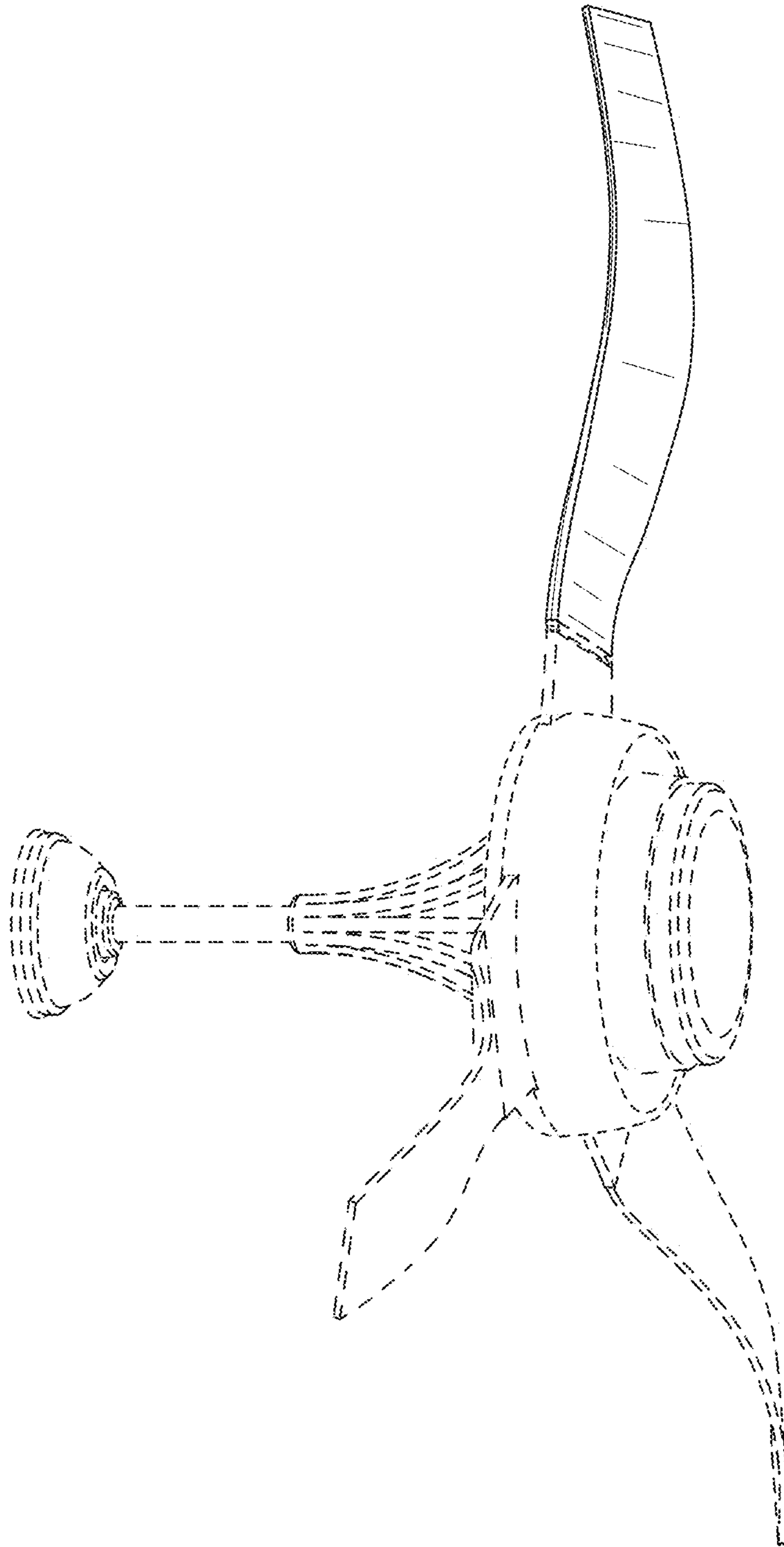


FIG. 2

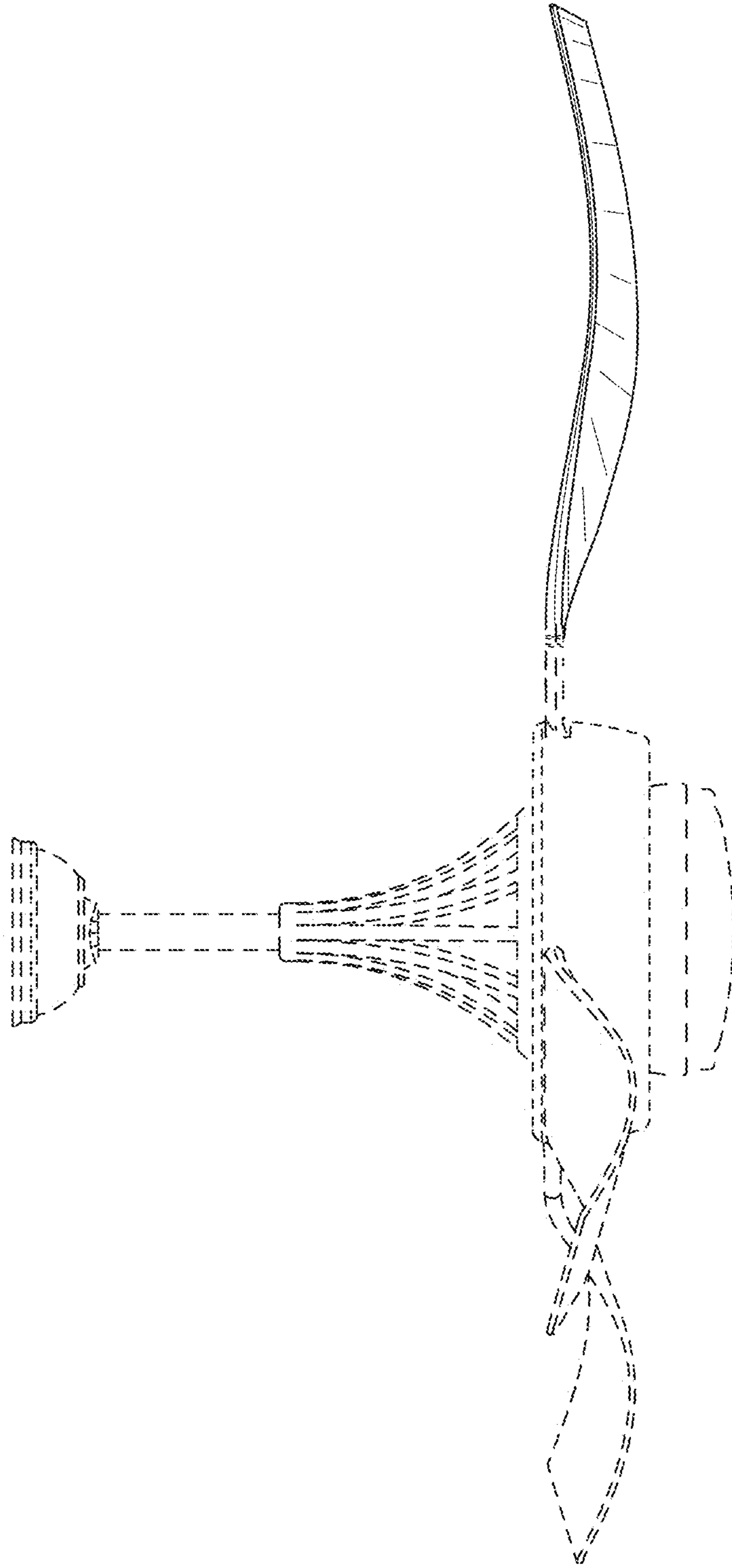


FIG. 3

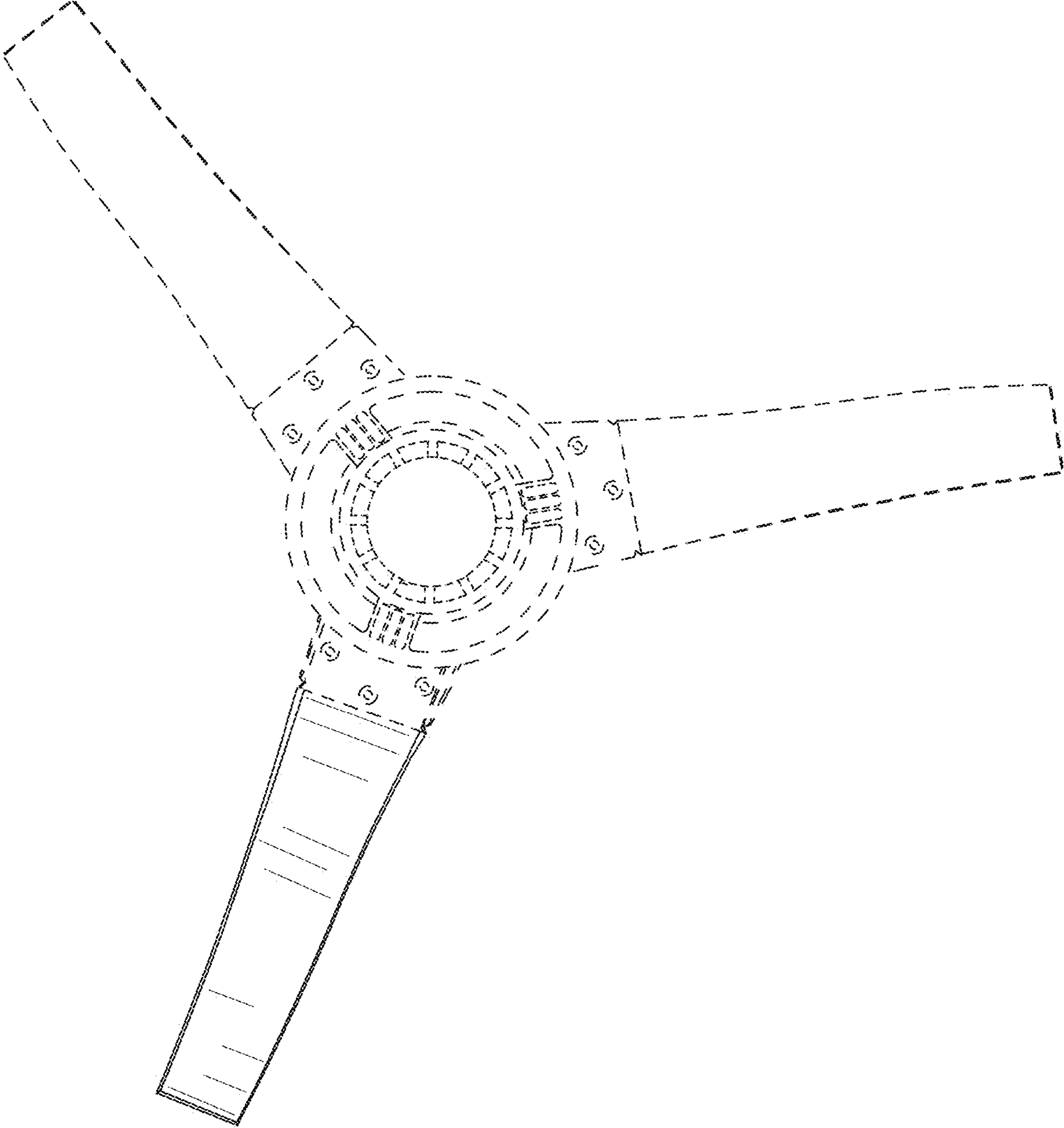


FIG.4

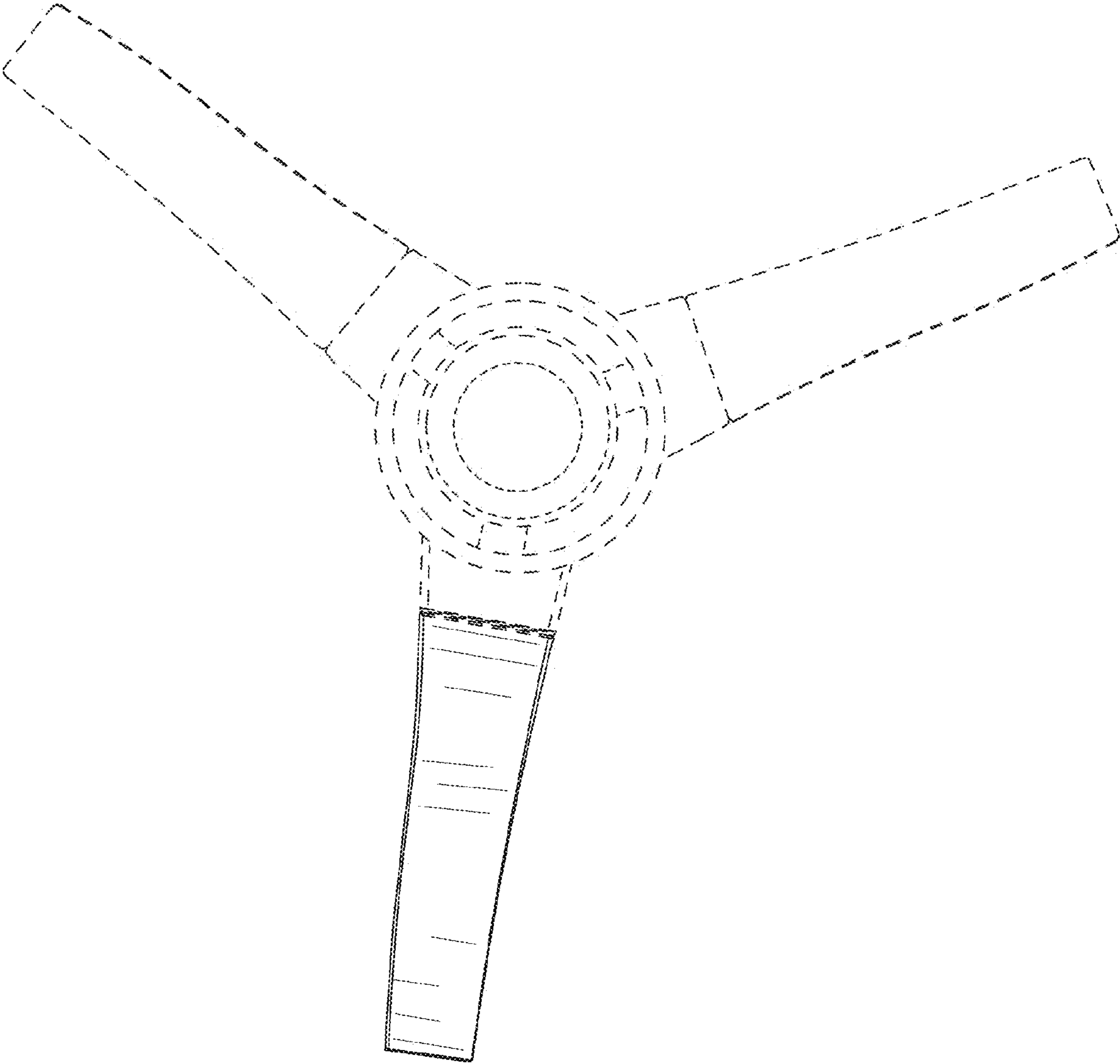


FIG.5