



US00D909561S

(12) **United States Design Patent**
Badarello

(10) **Patent No.:** **US D909,561 S**

(45) **Date of Patent:** **** Feb. 2, 2021**

(54) **COMBINATION CEILING FAN BLADE AND LIGHT KIT**

(71) Applicant: **Hunter Fan Company**, Memphis, TN (US)

(72) Inventor: **Christophe Badarello**, Holly Springs, TN (US)

(73) Assignee: **Hunter Fan Company**, Memphis, TN (US)

(**) Term: **15 Years**

(21) Appl. No.: **29/674,417**

(22) Filed: **Dec. 21, 2018**

Related U.S. Application Data

(63) Continuation of application No. 29/642,035, filed on Mar. 27, 2018, now Pat. No. Des. 844,772, which is a continuation of application No. 29/632,029, filed on Jan. 4, 2018, now Pat. No. Des. 825,736, which is a continuation of application No. 29/571,398, filed on Jul. 18, 2016, now Pat. No. Des. 811,578, and a continuation of application No. 29/514,397, filed on Jan. 12, 2015, now Pat. No. Des. 761,949.

(51) **LOC (13) Cl.** **23-03**

(52) **U.S. Cl.**
USPC **D23/411; D23/413**

(58) **Field of Classification Search**
USPC D23/377, 379, 385, 387, 411-414, 499; 416/1, 5, 170 R, 214 R, 184, 206, 207, 416/210 R, 220 R, 244 R, 248; 392/364; D26/59, 51, 72, 73, 80-86, 88, 90
CPC F04D 25/088; F04D 29/601; F04D 29/322; F04D 29/324; F04D 29/38; F04D 29/34; F21V 33/0096

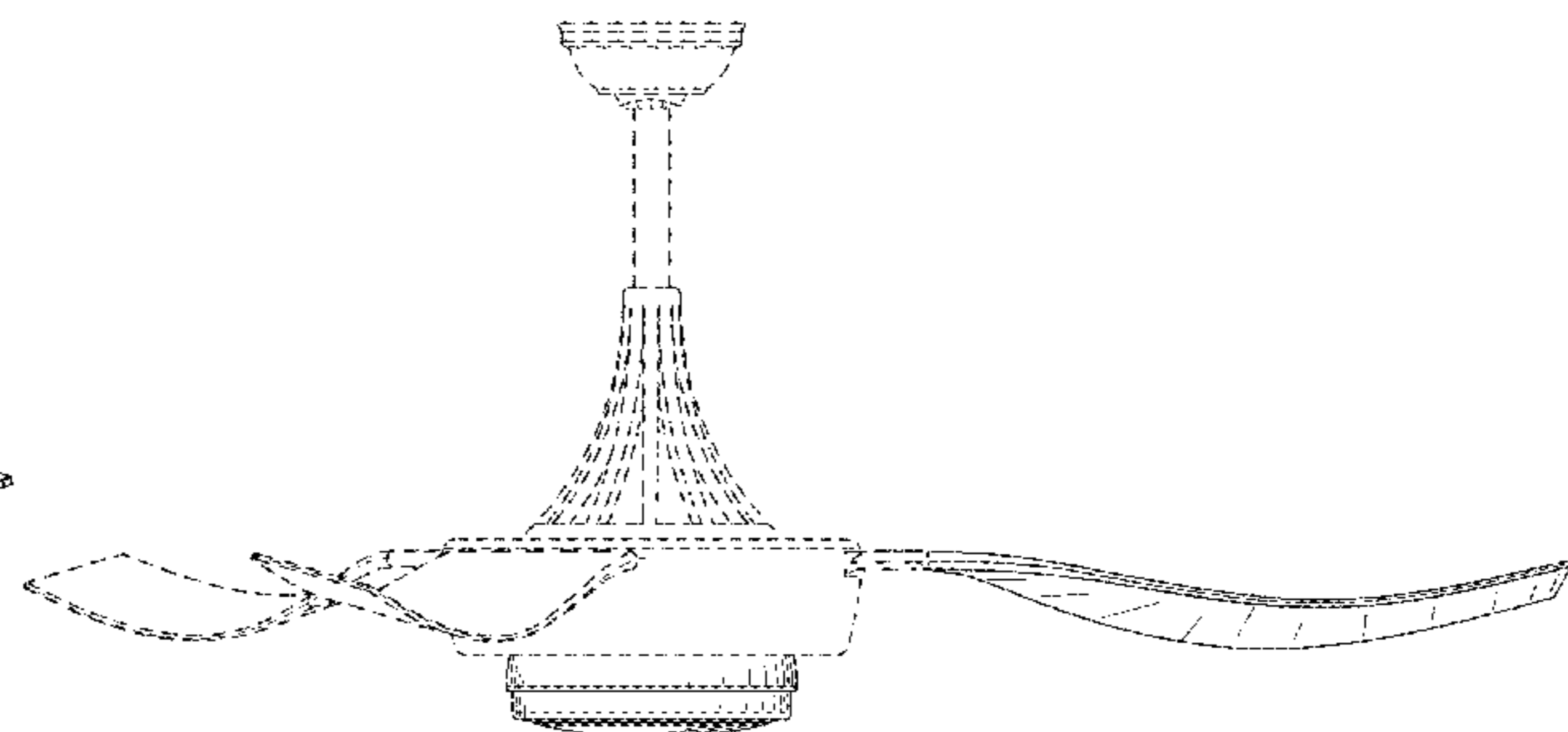
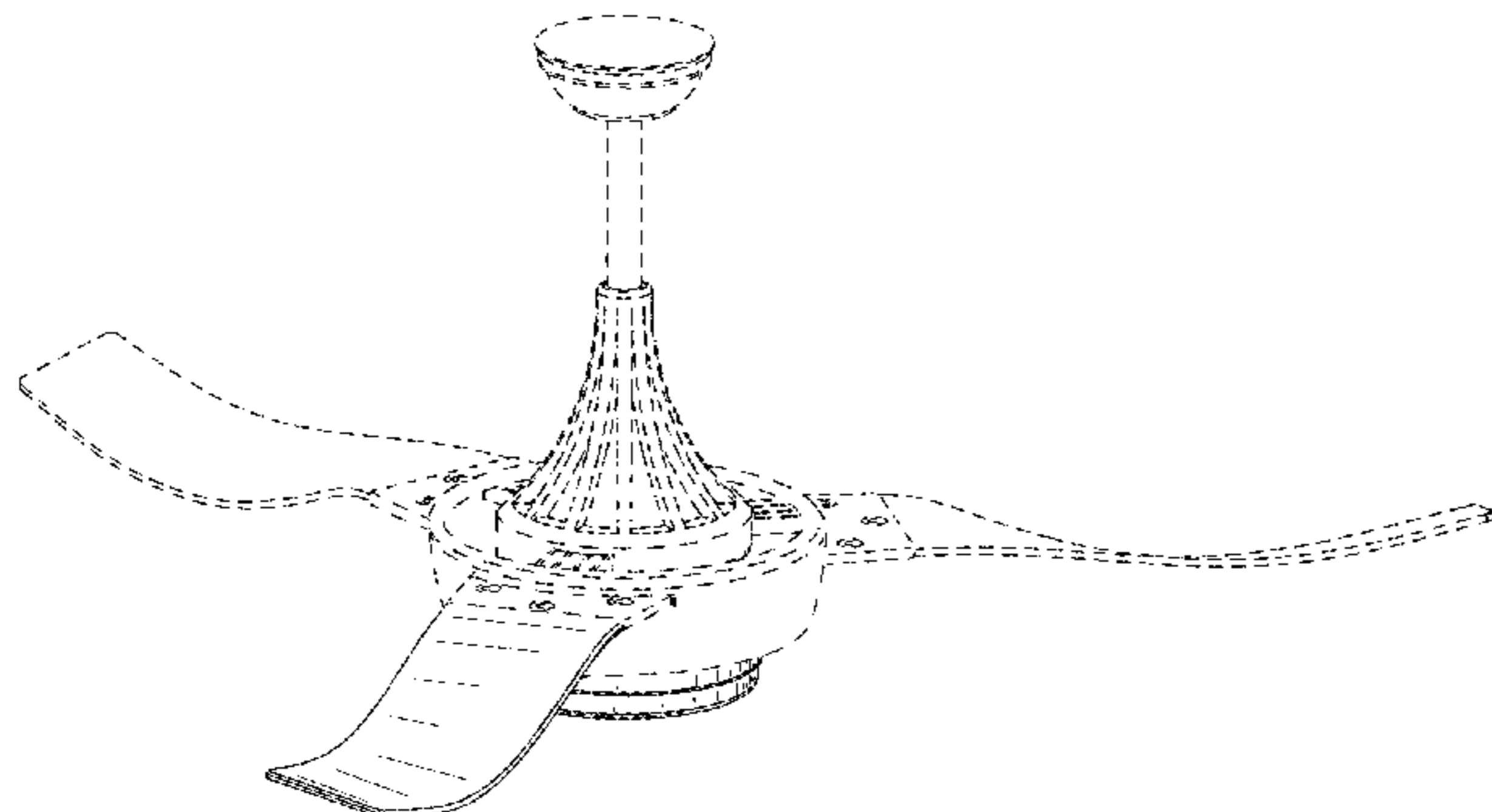
See application file for complete search history.

(56) **References Cited**

U.S. PATENT DOCUMENTS

1,508,086 A 7/1923 Crawford
4,878,806 A 11/1989 Markwardt
D346,439 S 4/1994 Liu
5,951,253 A 9/1999 Gajewski

D476,728 S 7/2003 Gajewski
D483,474 S 12/2003 Young
D503,489 S * 3/2005 Yurich D26/85
D506,565 S * 6/2005 Yurich D26/85
D509,295 S 9/2005 Stauffer et al.
D515,695 S * 2/2006 Badarello D23/413
D519,628 S 4/2006 Young
D535,388 S * 1/2007 Gajewski D23/413
7,210,910 B1 5/2007 Parker et al.
D603,954 S 11/2009 Curtin
D603,955 S 11/2009 Patton
D608,935 S * 1/2010 Pedersen D26/85
D626,643 S 11/2010 Situ et al.
D627,050 S 11/2010 Pan
D629,501 S 12/2010 Liu
D631,536 S 1/2011 Wiegel et al.
D633,644 S * 3/2011 Sprengers D26/89
D645,134 S 9/2011 Lee et al.
8,167,564 B2 5/2012 Streng et al.
D662,198 S 6/2012 Abass
D671,632 S 11/2012 Jones et al.
D675,313 S 1/2013 Lindgren
D678,997 S 3/2013 Gajewski
D679,794 S 4/2013 Allen et al.
D679,795 S 4/2013 Allen et al.
D680,213 S 4/2013 Spaggiari
D704,819 S 5/2014 Wang
D706,411 S 6/2014 Wang
D707,336 S 6/2014 Pan
D707,808 S 6/2014 Wang
D709,175 S 7/2014 Allen et al.
D712,023 S 8/2014 Rasmussen
D712,533 S 9/2014 Allen et al.
D715,419 S 10/2014 Schulzman
D715,421 S 10/2014 Schulzman
D716,438 S 10/2014 Liu
D717,935 S 11/2014 Strecker et al.
D721,800 S 1/2015 Busta
D726,297 S 4/2015 Liu
D732,656 S 6/2015 Wu et al.
D741,989 S * 10/2015 Wang D23/413
D744,081 S * 11/2015 Wang D23/411
D744,633 S 12/2015 Wang
D745,657 S 12/2015 Wang
D761,949 S 7/2016 Badarello
D762,296 S * 7/2016 Badarello D23/377
D771,230 S 11/2016 Jones
D771,860 S * 11/2016 Weiss D26/110
D773,030 S 11/2016 Puerto
D773,639 S 12/2016 Shen
D779,648 S 2/2017 Badarello et al.
D780,902 S * 3/2017 Gajewski D23/377
D789,510 S * 6/2017 Wang D23/377



D795,410	S	*	8/2017	Holmes	D26/59
D797,274	S	*	9/2017	Wang	D23/413
D799,660	S	*	10/2017	Jones	D23/377
D799,661	S	*	10/2017	Holmes	D23/377
D807,491	S	*	1/2018	Haggar	D23/377
D809,118	S	*	1/2018	Guthrie	D23/377
D809,644	S	*	2/2018	Holmes	D23/377
D810,271	S	*	2/2018	Holmes	D23/413
D810,917	S	*	2/2018	Holmes	D23/377
D810,920	S	*	2/2018	Haggar	D23/377
D810,923	S	*	2/2018	Jones	D23/413
D811,578	S	*	2/2018	Badarello	D23/411
9,909,590	B1		3/2018	Nicholas et al.		
D818,572	S	*	5/2018	Gajewski	D23/413
D825,736	S	*	8/2018	Badarello	D23/411
D844,771	S	*	4/2019	Badarello	D23/411
D844,772	S	*	4/2019	Badarello	D23/411
D855,788	S	*	8/2019	Haggar	D23/377
D855,789	S	*	8/2019	Haggar	D23/377
D861,153	S	*	9/2019	Chen	D23/377
D862,755	S	*	10/2019	Haggar	D26/59
D875,919	S	*	2/2020	Haggar	D23/411
D877,882	S	*	3/2020	Holmes	D23/411
D882,059	S	*	4/2020	McRoberts	D23/377
D890,322	S	*	7/2020	Chen	D23/377
2005/0129523	A1		6/2005	Liu		
2007/0104583	A1	*	5/2007	Gajewski	F04D 25/088 416/210 R
2007/0231148	A1		10/2007	Lehoczky		
2009/0324416	A1		12/2009	Bonnet		

FOREIGN PATENT DOCUMENTS

JP	1421278	S	8/2011
JP	1491650	S	3/2014
JP	1491651	S	3/2014
JP	1503973	S	8/2014
JP	1504313	S	8/2014

OTHER PUBLICATIONS

Chinese Design Patent Application No. 2012030502760.4, 3 pages, filed Oct. 22, 2012.

Chinese Design Patent Application No. 2012030502762.3, 3 pages, filed Oct. 22, 2012.

Chinese Design Patent Application No. 2012030502742.6, 3 pages, filed Oct. 22, 2012.

Chinese Design Patent Application No. 2012030502744.5, 3 pages, filed Oct. 22, 2012.

Chinese Design Patent Application No. 2012030427032.1, 4 pages, filed Sep. 3, 2012.

Chinese Design Patent Application No. 2012030547248.1, 3 pages, filed Nov. 12, 2012.

Chinese Design Patent Application No. 2012030502745, 3 pages, filed Oct. 22, 2012.

Chinese Design Patent Application No. 2012030502750, 3 pages, filed Oct. 22, 2012.

Chinese Design Patent Application No. 2013030011567.5, 3 pages, filed Jan. 5, 2013.

Chinese Design Patent Application No. 2012030663293.3, 3 pages, filed Dec. 31, 2012.

Indonesian Design Patent Application No. A00201104048, 2 pages, filed Dec. 27, 2011.

Chinese Design Patent Application No. 2012030437341.7, 3 pages, filed Sep. 13, 2012.

Malaysian Design Patent Application No. 12006950103, 2 pages, filed Jun. 8, 2012.

Chinese Design Patent Application No. 2012030427033.6, 7 pages, filed Sep. 3, 2012.

Chinese Design Patent Application No. 2012030472038, 3 pages, filed Sep. 29, 2012.

<https://www.craftmade.com/pireos-pir48>, Craftmade Pireos Ceiling fan (Blades included), Model No. PIR48, accessed Jan. 29, 2019.

<http://www.ventotw.com/EN/ENfan-fiore.html>, Pan Air Electric Co., Ltd., Vento Fiore 42" Ceiling Fan, accessed Jan. 29, 2019.

<https://www.fanimation.com/products/index.php/fans/prop.html>, Fanimation Prop Indoor Ceiling Fan, Model No. LP8323, accessed Jan. 29, 2019.

<http://www.kichler.com/products/product/52-inch-ridley-ii-fan-obb-300027obb.aspx>, Fanimation Ridley II Collection, 52 Inch Ridley II Fan OBB, accessed Jan. 29, 2019.

<http://www.drii-design.com/-b-fan>, DRII Design, 四分 B-fan, Bamboo Ceiling Fan, accessed Jan. 29, 2019.

<https://www.fanimation.com/products/index.php/fans/coop.html>, Fanimation Coop Indoor Ceiling Fan, Model No. LP8081, accessed Jan. 29, 2019.

Chinese Design Patent Application No. 2014030325787, 4 pages, filed Sep. 4, 2014.

Chinese Design Patent Application No. 2014030325768.7, 4 pages, filed Sep. 4, 2014.

Chinese Design Patent Application No. 2014030325770.4, 4 pages, filed Sep. 4, 2014.

Chinese Design Patent Application No. 2014030325766.8, 4 pages, filed Sep. 4, 2014.

Chinese Design Patent Application No. 2014030174148.8, 4 pages, filed Jun. 10, 2014.

Chinese Design Patent Application No. 2014030191877.4, 10 pages, filed Jun. 20, 2014.

Chinese Design Patent Application No. 2014030233350.3, 4 pages, filed Jul. 11, 2014.

Chinese Design Patent Application No. 2014030231345.9, 4 pages, filed Jul. 10, 2014.

Chinese Design Patent Application No. 2014030231316.2, 4 pages, filed Jul. 10, 2014.

Chinese Design Patent Application No. 2014030231202.8, 4 pages, filed Jul. 10, 2014.

Chinese Design Patent Application No. 2014030172120, 4 pages, filed Jun. 9, 2014.

Chinese Design Patent Application No. 2014030130139.9, 4 pages, filed May 13, 2014.

Chinese Design Patent Application No. 2014030177887.2, 4 pages, filed Jun. 12, 2014.

Chinese Design Patent Application No. 2014030144586, 4 pages, filed May 22, 2014.

Chinese Design Patent Application No. 2014030057216.2, 4 pages, filed Mar. 20, 2014.

Chinese Design Patent Application No. 2014030019926.6, 4 pages, filed Jan. 24, 2014.

Chinese Design Patent Application No. 2014030093329.8, 6 pages, filed Apr. 17, 2014.

Malaysian Design Patent Application No. 13E02060101, 2 pages, filed Nov. 29, 2013.

Chinese Design Patent Application No. 2014030001289, 4 pages, filed Jan. 3, 2014.

Chinese Design Patent Application No. 2014030045335.6, 4 pages, filed Mar. 10, 2014.

Chinese Design Patent Application No. 2014030037912.7, 4 pages, filed Feb. 28, 2014.

Chinese Design Patent Application No. 2013030652246.3, 4 pages, filed Dec. 27, 2013.

Chinese Design Patent Application No. 2014030001286.6, 4 pages, filed Jan. 3, 2014.

Chinese Design Patent Application No. 2013030609071.8, 4 pages, filed Dec. 9, 2013.

Chinese Design Patent Application No. 2013030530710.1, 4 pages, filed Nov. 7, 2013.

Chinese Design Patent Application No. 2013030544891.3, 4 pages, filed Nov. 14, 2013.

Chinese Design Patent Application No. 2013030569022.6, 6 pages, filed Nov. 22, 2013.

Chinese Design Patent Application No. 2013030485328.3, 3 pages, filed Oct. 15, 2013.

European Design Patent Application No. 002439216, 3 pages, filed Apr. 3, 2014.

European Design Patent Application No. 002426957, 2 pages, filed Mar. 18, 2014.

Chinese Design Patent Application No. 2013030432391, 3 pages, filed Sep. 2, 2013.
Chinese Design Patent Application No. 2013030432336.1, 3 pages, filed Sep. 2, 2013.
Chinese Design Patent Application No. 2013030333571.3, 7 pages, filed Jul. 16, 2013.
Malaysian Design Patent Application No. 13E00140101, 2 pages, filed Aug. 2, 2013.
Malaysian Design Patent Application No. 13E00170101, 2 pages, filed Aug. 2, 2013.
Chinese Design Patent Application No. 2013030303751.7, 3 pages, filed Jul. 3, 2013.
Malaysian Design Patent Application No. 13004710101, 1 page, filed Sep. 4, 2013.
Indonesian Design Patent Application No. A00201302076, 3 pages, filed Jun. 7, 2013.
Indonesian Design Patent Application No. A00201302075, 3 pages, filed Jun. 7, 2013.
Indonesian Design Patent Application No. A00201302072, 2 pages, filed Jun. 7, 2013.
Indonesian Design Patent Application No. A00201302073, 3 pages, filed Jun. 7, 2013.
Indonesian Design Patent Application No. A00201202004, 2 pages, filed Jun. 4, 2012.
Indonesian Design Patent Application No. A00201202002, 2 pages, filed Jun. 4, 2012.
Malaysian Design Patent Application No. 13E00160101, 2 pages, filed Aug. 2, 2013.
Malaysian Design Patent Application No. 13E00220101, 3 pages, filed Aug. 2, 2013.
Malaysian Design Patent Application No. 12E00890101, 2 pages, filed May 9, 2012.
Chinese Design Patent Application No. 2012030502827.4, 4 pages, filed Oct. 22, 2012.

Chinese Design Patent Application No. 2013030104236.6, 4 pages, filed Apr. 9, 2013.
Chinese Design Patent Application No. 2012030502812.8, 4 pages, filed Oct. 22, 2012.
Chinese Design Patent Application No. 2012030502764.2, 4 pages, filed Oct. 22, 2012.

* cited by examiner

Primary Examiner — Marie D. Fast Horse
(74) *Attorney, Agent, or Firm* — McGarry Bair PC

(57) **CLAIM**

The ornamental design for a combination ceiling fan blade and light kit, as shown and described.

DESCRIPTION

This application is also related to U.S. patent application Ser. No. 29/545,348, filed Nov. 12, 2015, now issued as U.S. Design Pat. No. D779,648, and is related to U.S. patent application Ser. No. 29/642,030, currently allowed.

FIG. 1 is a top perspective view of a combination ceiling fan blade and light kit showing my new design in the environment of a ceiling fan;

FIG. 2 is a bottom perspective view thereof;

FIG. 3 is a side view thereof;

FIG. 4 is a top view thereof; and,

FIG. 5 is a bottom view thereof.

The broken lines in the drawings depict unclaimed environmental structure only and form no part of the claim.

1 Claim, 5 Drawing Sheets

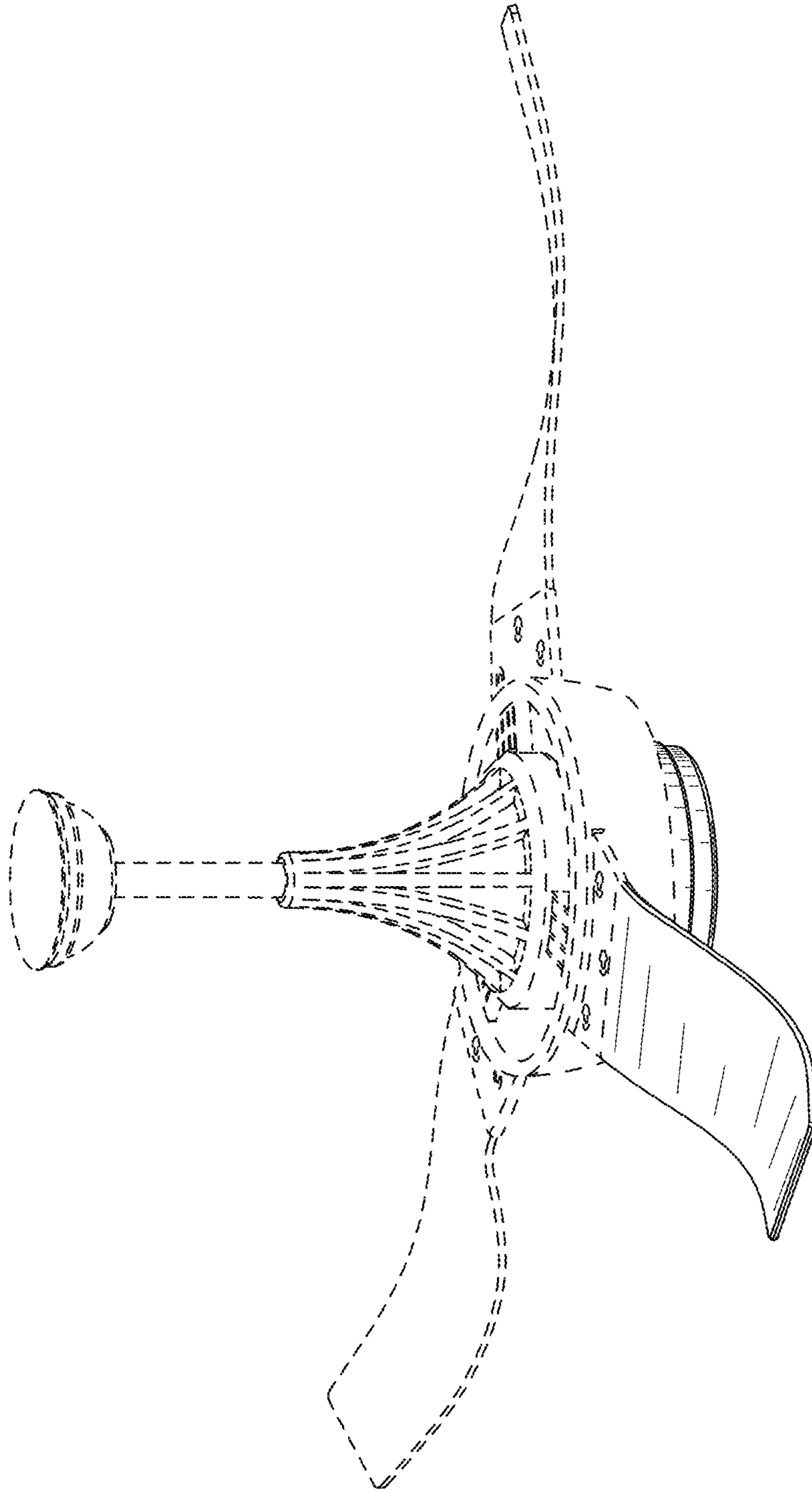


FIG.1

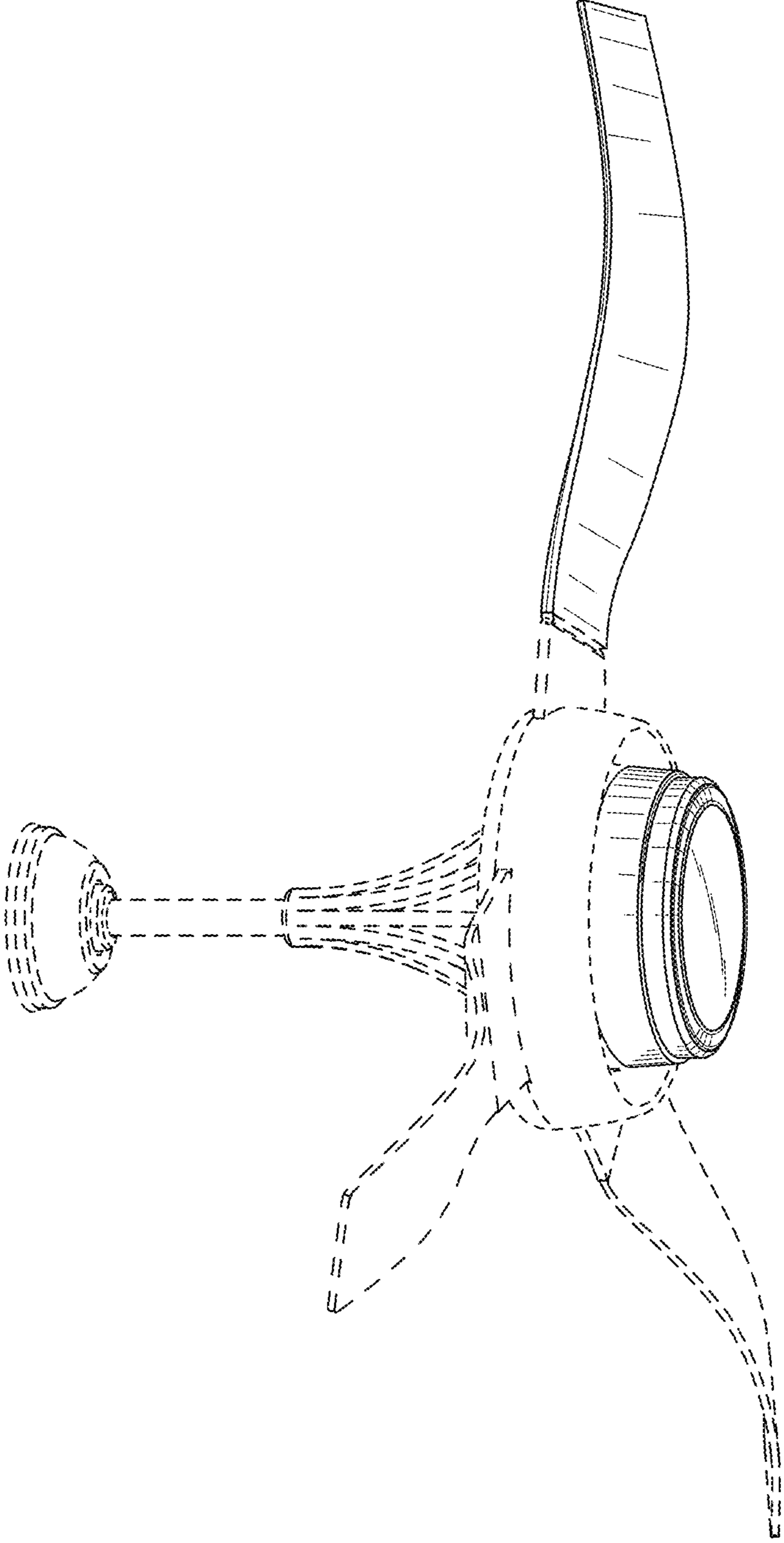


FIG.2

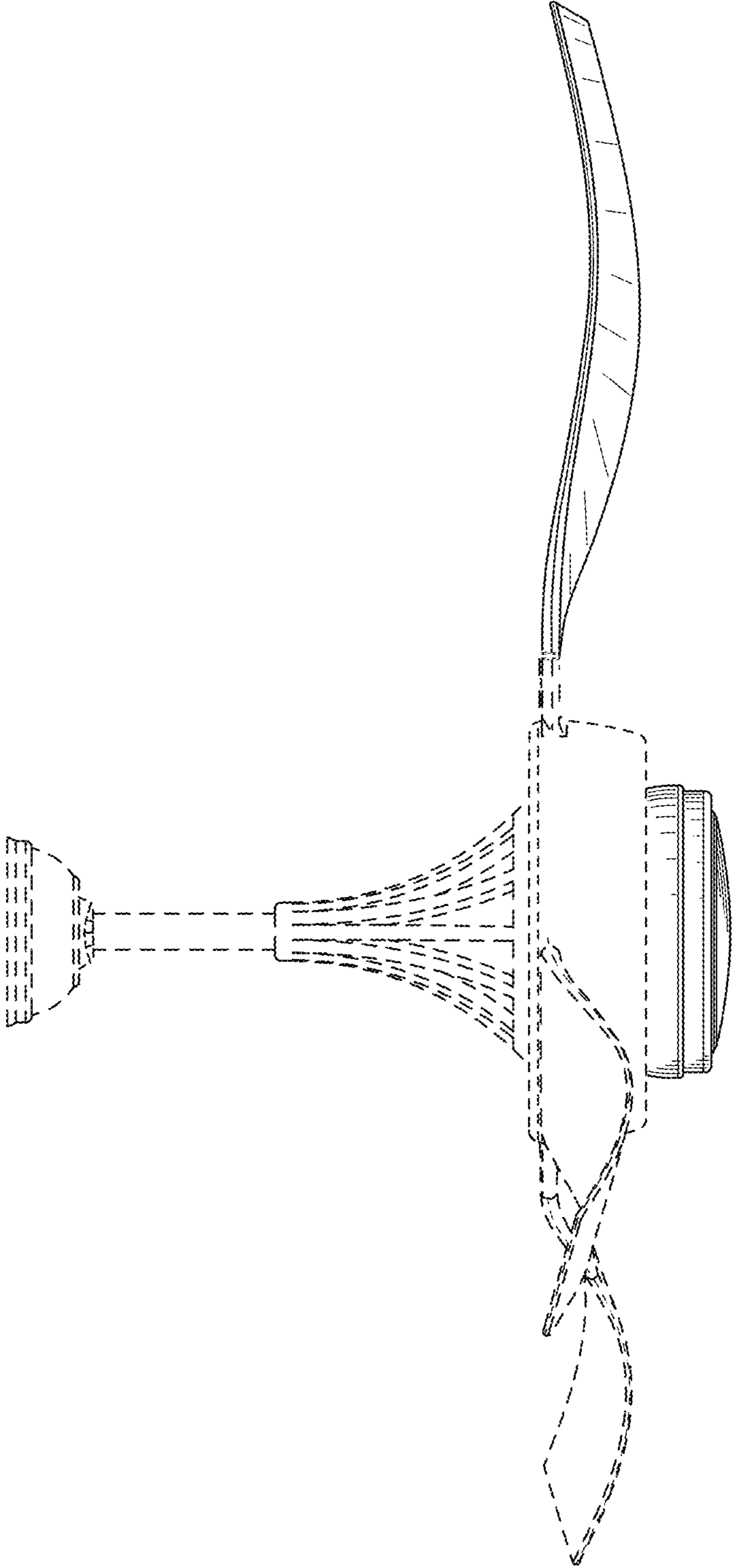


FIG.3

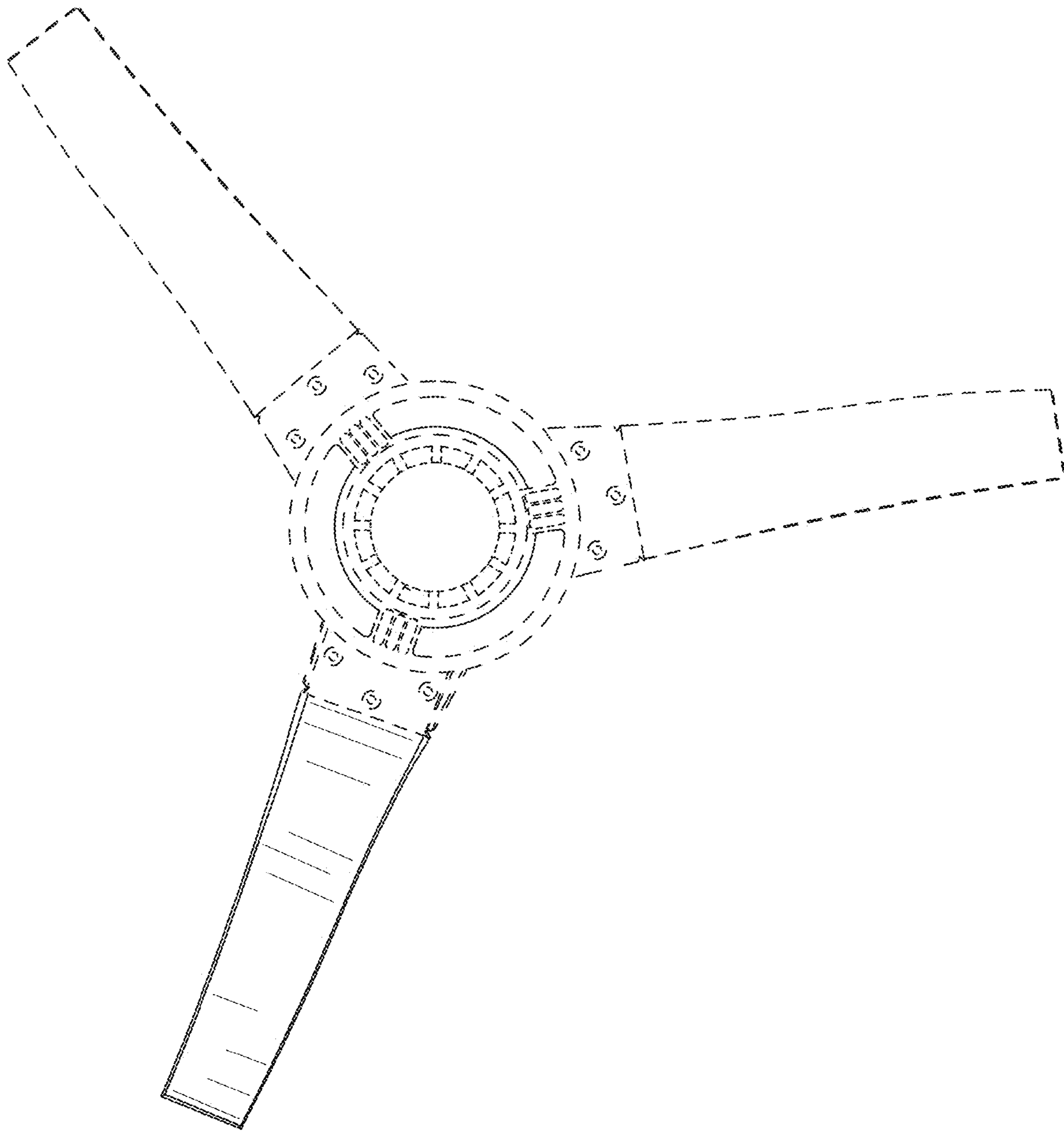


FIG.4

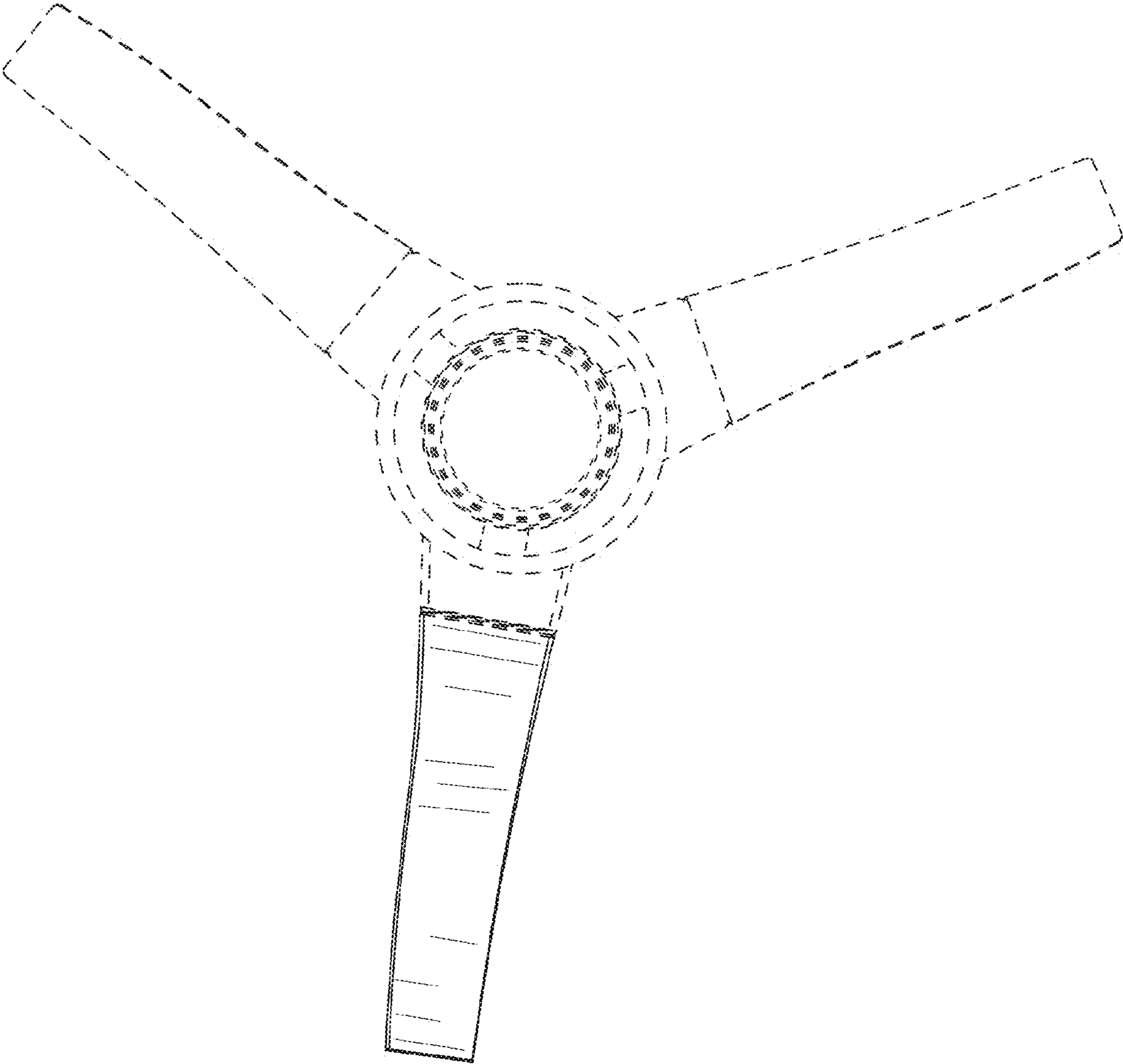


FIG.5