



US00D909558S

(12) **United States Design Patent** (10) **Patent No.:** **US D909,558 S**
Hong (45) **Date of Patent:** **** Feb. 2, 2021**

(54) **FAN**
(71) Applicant: **MIDEA GROUP CO., LTD.**,
Guangdong (CN)
(72) Inventor: **Sizhan Hong**, Guangdong (CN)
(73) Assignee: **MIDEA GROUP CO., LTD.**, Foshan
(CN)
(**) Term: **15 Years**
(21) Appl. No.: **35/507,982**
(22) Filed: **Aug. 2, 2019**
(80) **Hague Agreement Data**
Int. Filing Date: **Aug. 2, 2019**
Int. Reg. No.: **DM/204376**
Int. Reg. Date: **Aug. 2, 2019**
Int. Reg. Pub. Date: **Dec. 6, 2019**

(30) **Foreign Application Priority Data**
May 27, 2019 (CN) 2019 3 0264894
(51) **LOC (13) Cl.** **23-04**
(52) **U.S. Cl.**
USPC **D23/378**
CPC **F04D 25/00** (2013.01)
(58) **Field of Classification Search**
USPC D23/332, 333, 336, 337, 342, 364, 366,
D23/370-376, 378, 385, 386
CPC . F04D 5/00; F04D 27/00; F04D 25/08; F04D
29/005; F04D 29/601; F04D 29/324;
F24H 3/04; F21V 33/0096; F21V
33/0092; F24F 13/078
See application file for complete search history.

(56) **References Cited**
U.S. PATENT DOCUMENTS

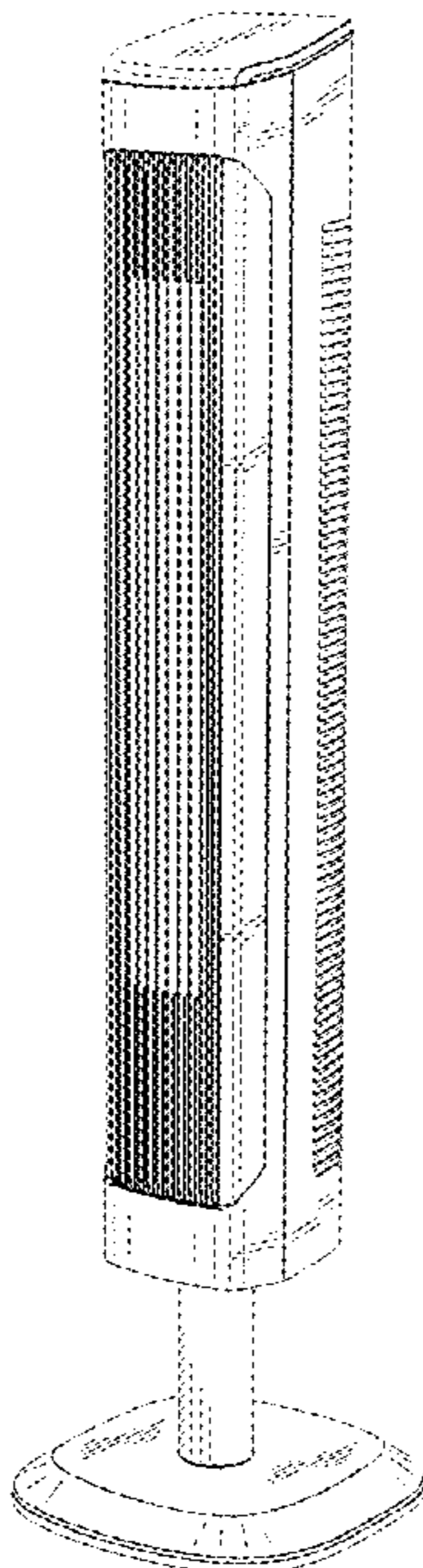
D423,093 S *	4/2000	Fok	D23/370
D479,593 S *	9/2003	Fok	D23/378
D479,743 S *	9/2003	Fok	D23/378
D479,874 S *	9/2003	Shapiro	D23/378
D483,466 S *	12/2003	Shapiro	D23/378
D486,217 S *	2/2004	Shapiro	D23/378
D486,218 S *	2/2004	Shapiro	D23/381
D539,411 S *	3/2007	Fok	D23/378
D685,078 S *	6/2013	Sidell	D23/378
D757,922 S *	5/2016	Tang	D23/370
D776,248 S *	1/2017	Lewis	D23/378
D794,170 S *	8/2017	Lopez	D23/332
D804,007 S *	11/2017	Cartwright	D23/378
D809,119 S *	1/2018	Ho	D23/378
D809,120 S *	1/2018	Shin	D23/378
D814,012 S *	3/2018	Spiegel	D23/378
D817,467 S *	5/2018	Shin	D23/364
D819,189 S *	5/2018	Chen	D23/332
D826,393 S *	8/2018	Ho	D23/378

* cited by examiner
Primary Examiner — Richard E Chilcot

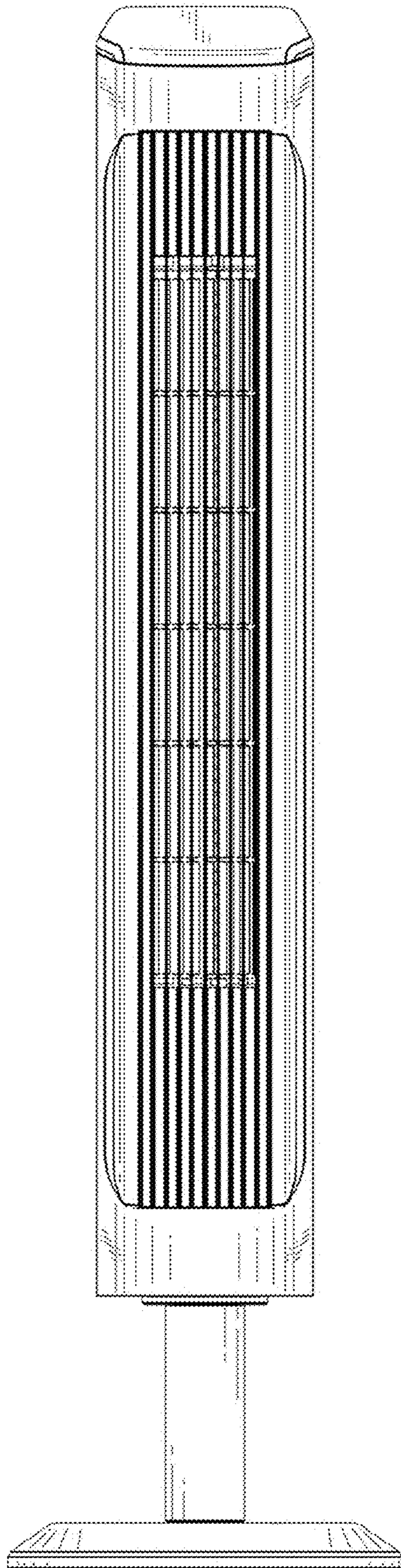
(57) **CLAIM**
The ornamental design for a fan, as shown and described.

DESCRIPTION
FIG. 1.1 is a front elevation view of a fan, showing our new design;
FIG. 1.2 is a rear elevation view thereof;
FIG. 1.3 is a left elevation view thereof;
FIG. 1.4 is a right elevation view thereof;
FIG. 1.5 is a top plan view thereof;
FIG. 1.6 is a bottom plan view thereof; and
FIG. 1.7 is a front perspective view thereof.

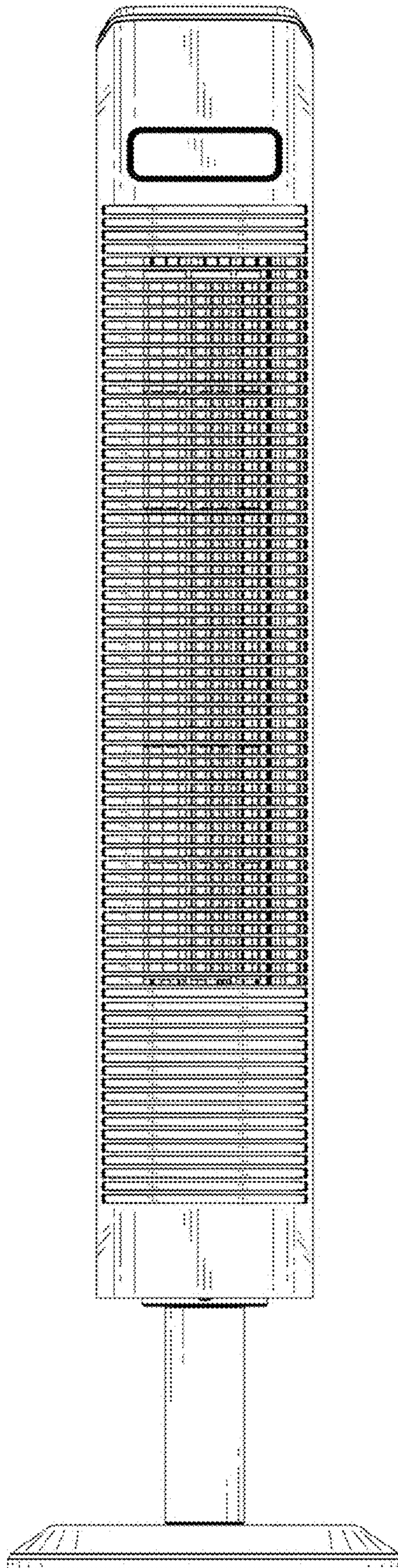
1 Claim, 7 Drawing Sheets



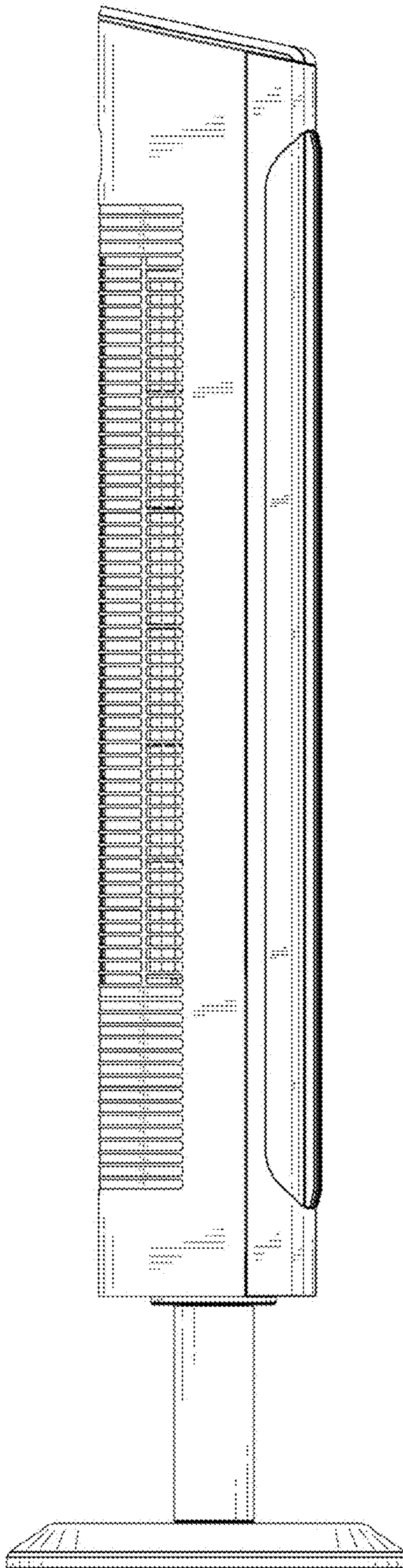
1.1



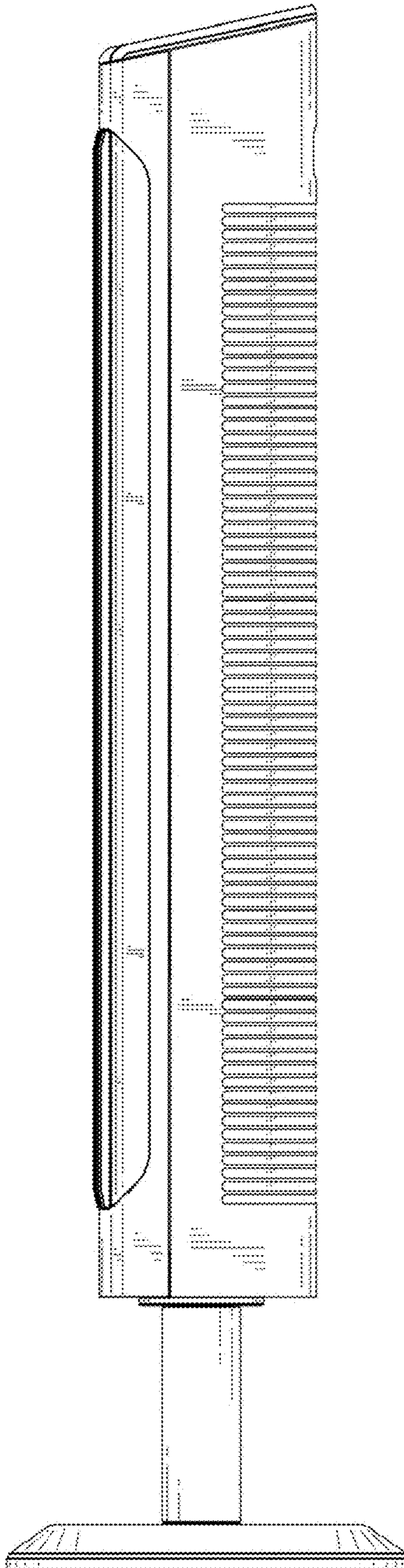
1.2



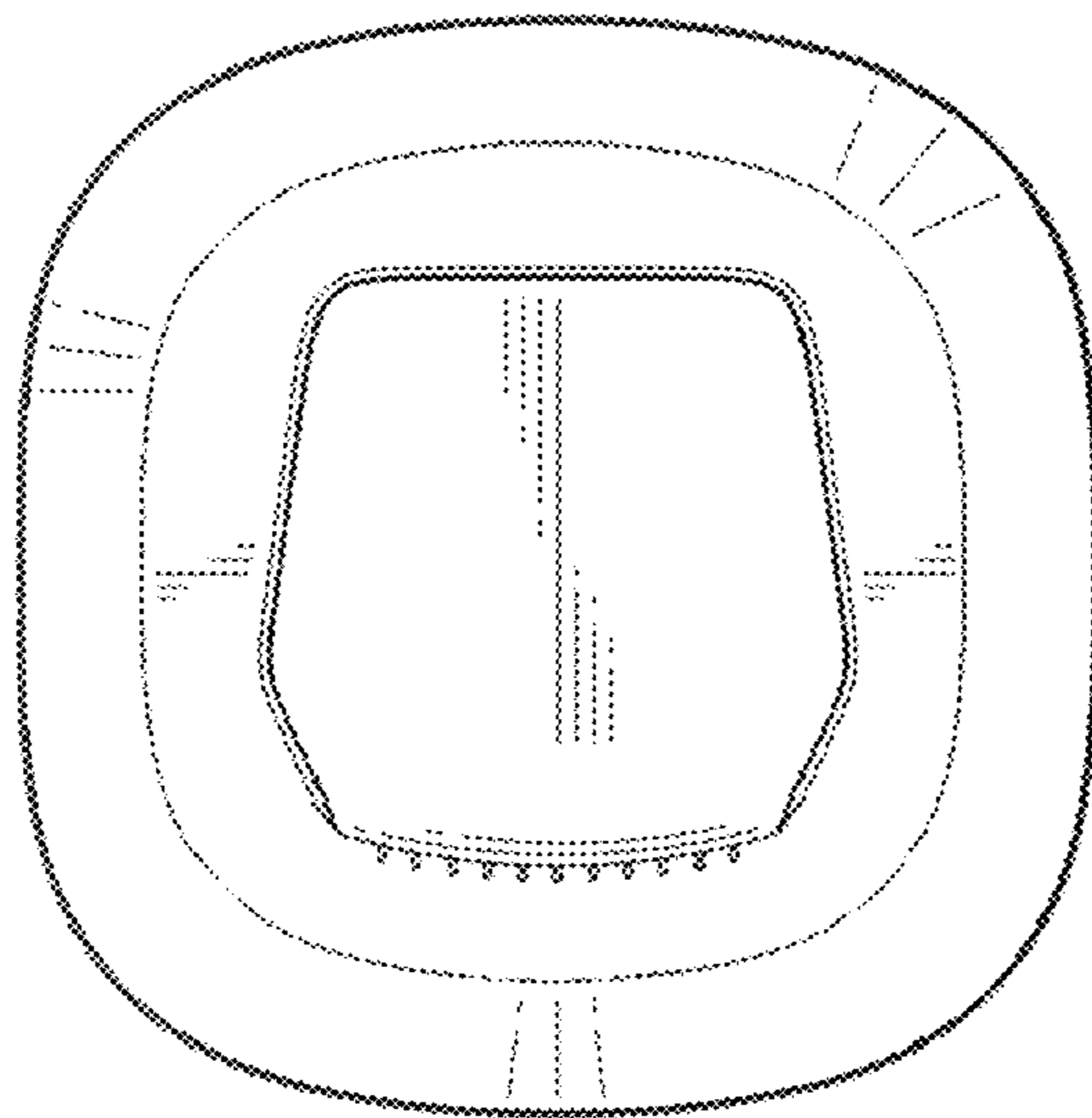
1.3



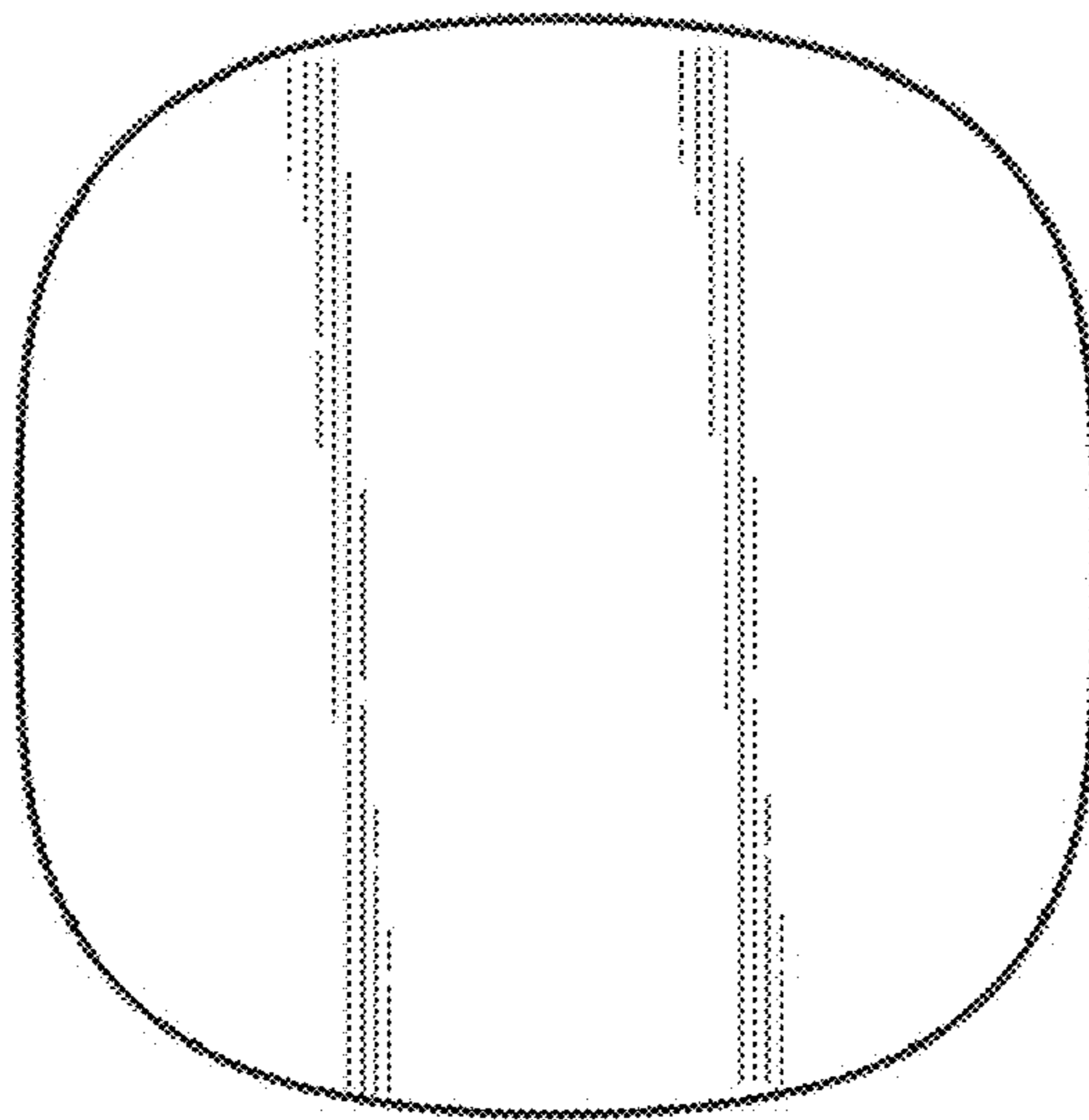
1.4



1.5



1.6



1.7

