



US00D909557S

(12) **United States Design Patent**
Jeon et al.

(10) **Patent No.:** **US D909,557 S**

(45) **Date of Patent:** **** Feb. 2, 2021**

(54) **AIR PURIFIER**

(71) Applicant: **WOONGJIN COWAY CO., LTD.**,
Choongcheongnam-do (KR)

(72) Inventors: **Jung Jae Jeon**, Seoul (KR); **Su Min Shin**, Seoul (KR)

(73) Assignee: **WOONGJIN COWAY CO., LTD.**,
Choongcheongnam-do (KR)

(**) Term: **15 Years**

(21) Appl. No.: **29/699,557**

(22) Filed: **Jul. 26, 2019**

(51) **LOC (13) Cl.** **23-04**

(52) **U.S. Cl.**

USPC **D23/364**

(58) **Field of Classification Search**

USPC D23/355-366, 352, 369, 332, 333, 335,
D23/336, 342, 351; 422/120, 122;
55/356, 473, 504; 96/97; D14/188, 170,
D14/171, 172; 261/DIG. 17, DIG. 65,
261/DIG. 88, DIG. 31; D18/34.6
CPC .. A61L 9/16; A61L 9/22; B01D 47/00; B01D
47/027; B01D 2221/02; B01D 2259/4508;
B03C 3/155; B03C 3/368; F24F 3/16;
F24F 13/20; F24F 13/28; F24F
2001/0096

See application file for complete search history.

(56) **References Cited**

U.S. PATENT DOCUMENTS

D745,954 S * 12/2015 de Siqueira Indio da Costa
D23/355
D791,292 S * 7/2017 Kim D23/333

D797,272 S * 9/2017 Poindexter D23/364
D802,112 S * 11/2017 Jeon D23/364
D827,117 S * 8/2018 Rigbi D23/360
D834,165 S * 11/2018 Maeng D23/364
D835,248 S * 12/2018 Echeverri D23/364
D876,599 S * 2/2020 He D23/364
D879,275 S * 3/2020 Mano D23/359
D882,745 S * 4/2020 Martouzet D23/364
D885,543 S * 5/2020 Wang D23/364
D885,546 S * 5/2020 Gossez D23/365
D886,269 S * 6/2020 Sakamoto D23/356

* cited by examiner

Primary Examiner — David G Muller

(74) *Attorney, Agent, or Firm* — Millen, White, Zelano & Branigan, P.C.; William Nixon

(57) **CLAIM**

The ornamental design for an air purifier, as shown and described.

DESCRIPTION

FIG. 1 illustrates a front perspective view of the air purifier showing our new design;

FIG. 2 illustrates a front elevational view thereof;

FIG. 3 illustrates a rear elevational view thereof;

FIG. 4 illustrates a left side elevational view thereof;

FIG. 5 illustrates a right side elevational view thereof;

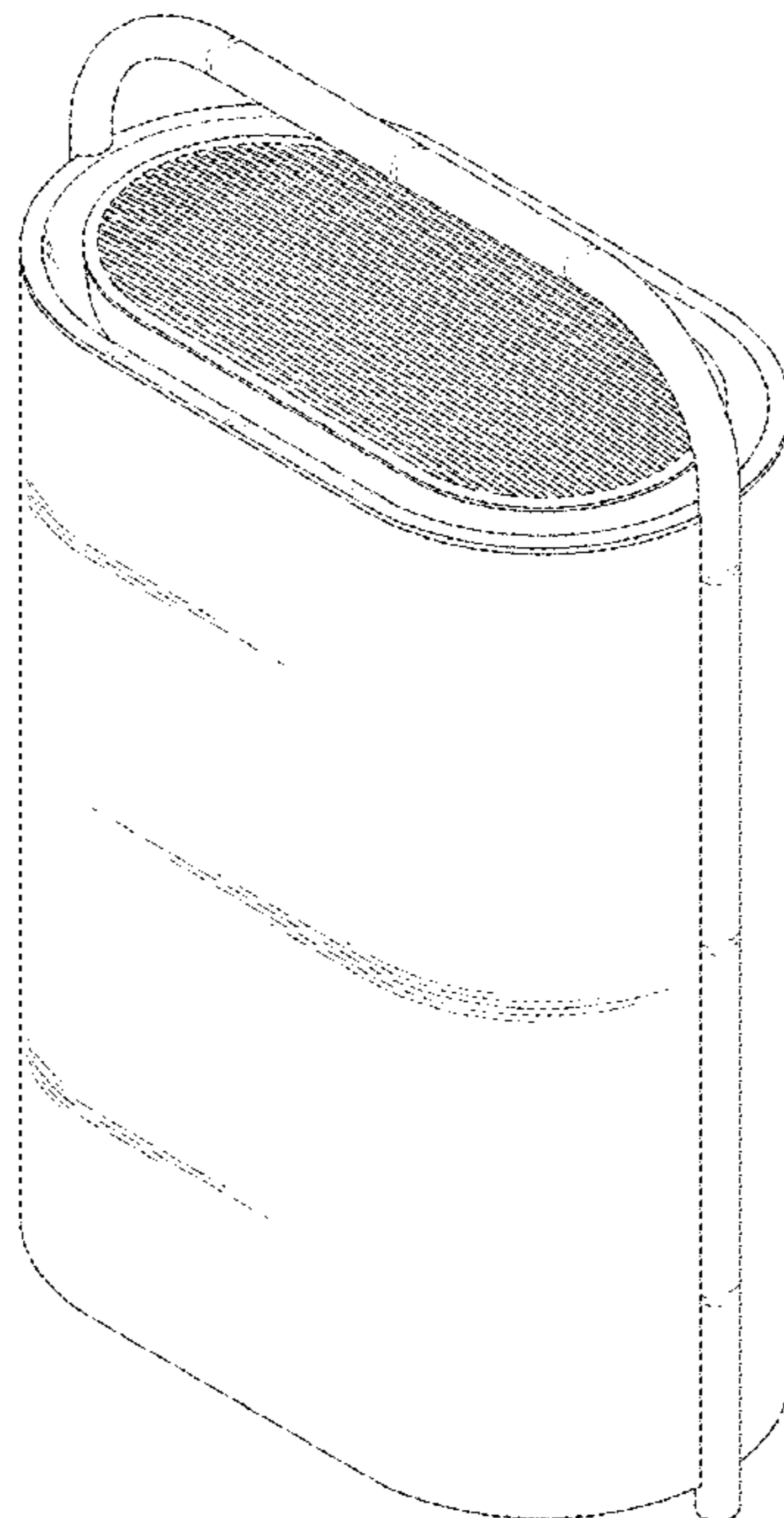
FIG. 6 illustrates a top plan view thereof;

FIG. 7 illustrates a bottom plan view thereof; and,

FIG. 8 illustrates a perspective view showing a circulator detached from the air purifier.

The broken line showing of parts of the drawings is included for the purpose of illustrating use and environment and forms no part of the claimed design.

1 Claim, 8 Drawing Sheets



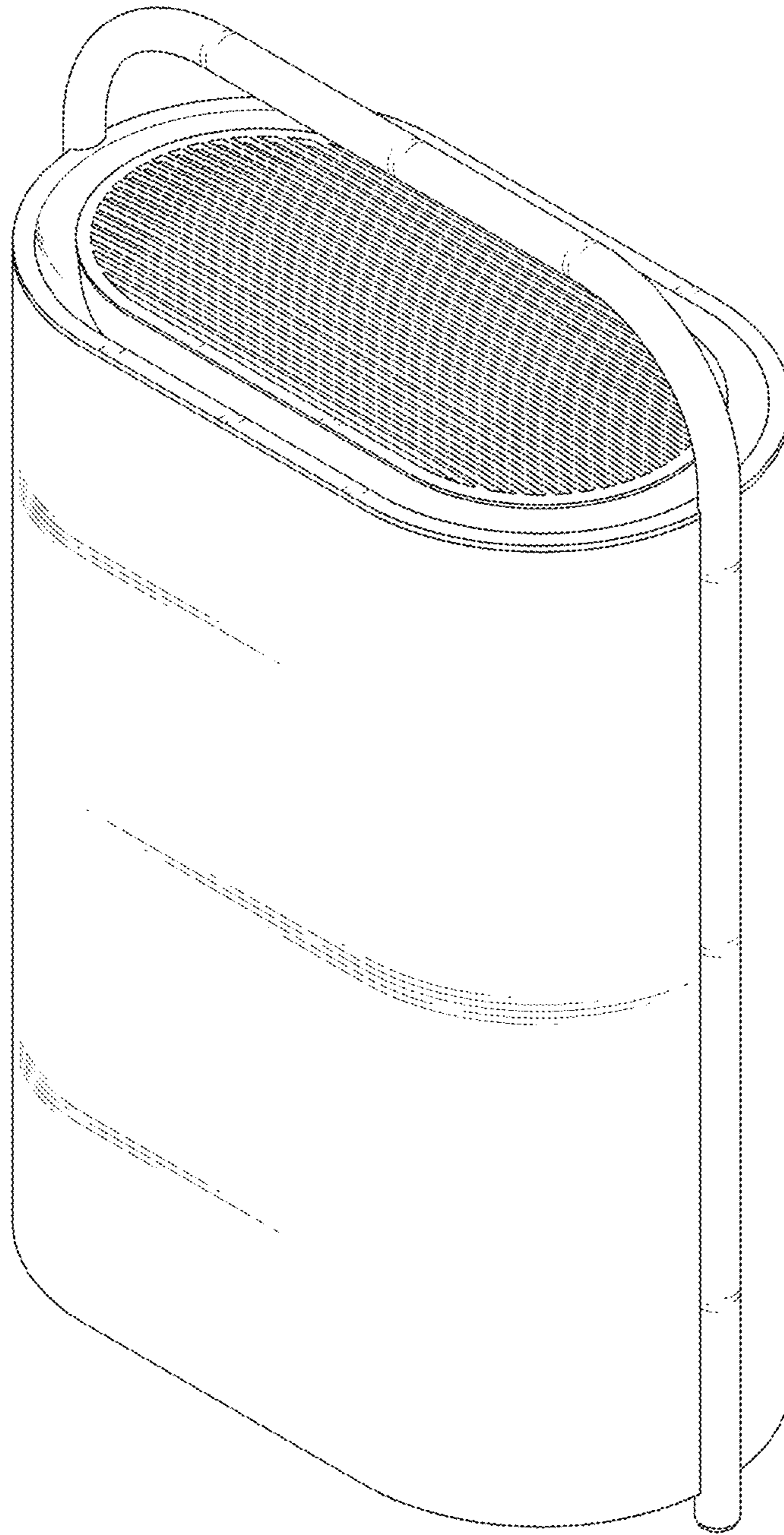


FIG. 1

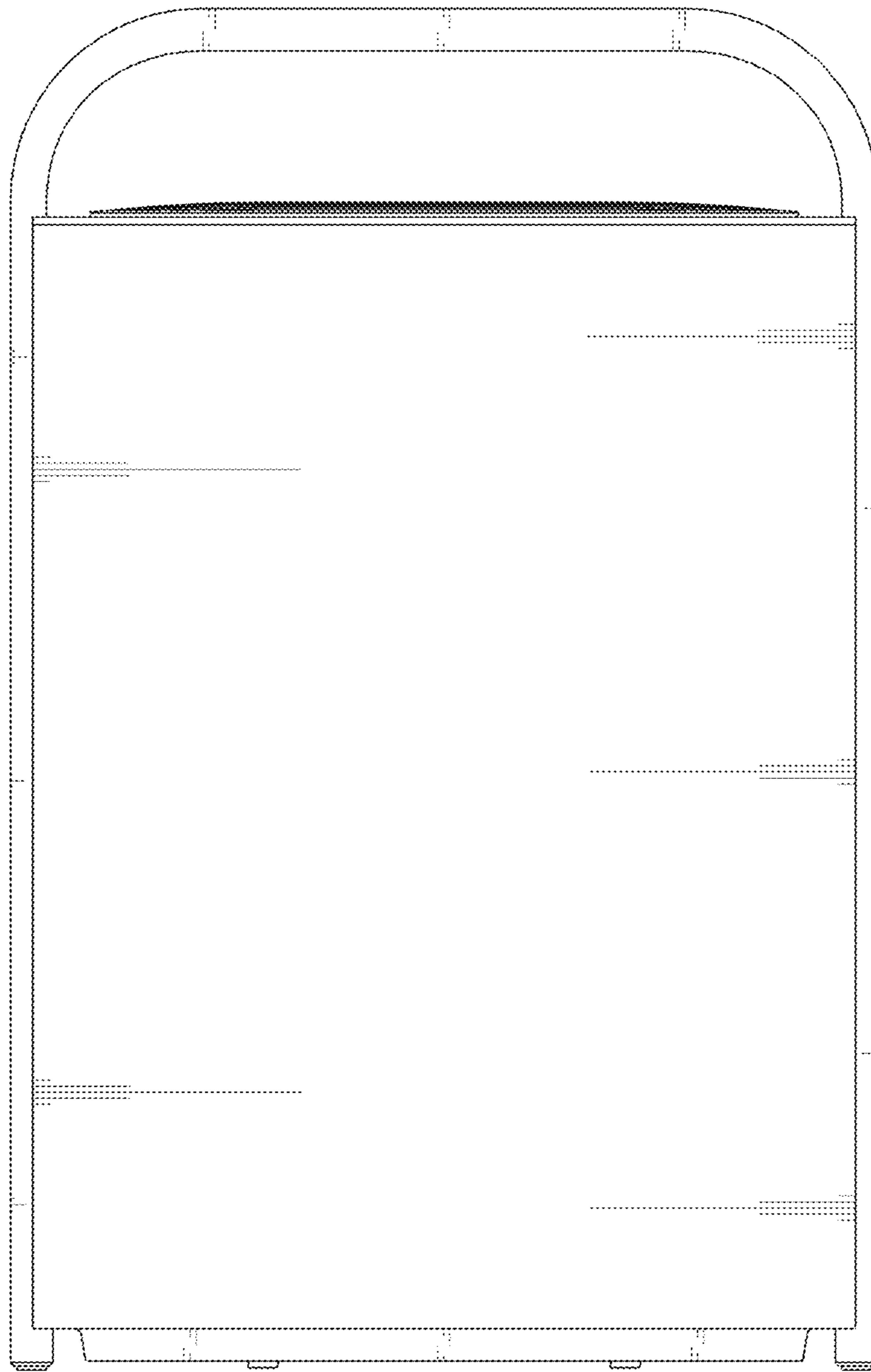


FIG. 2

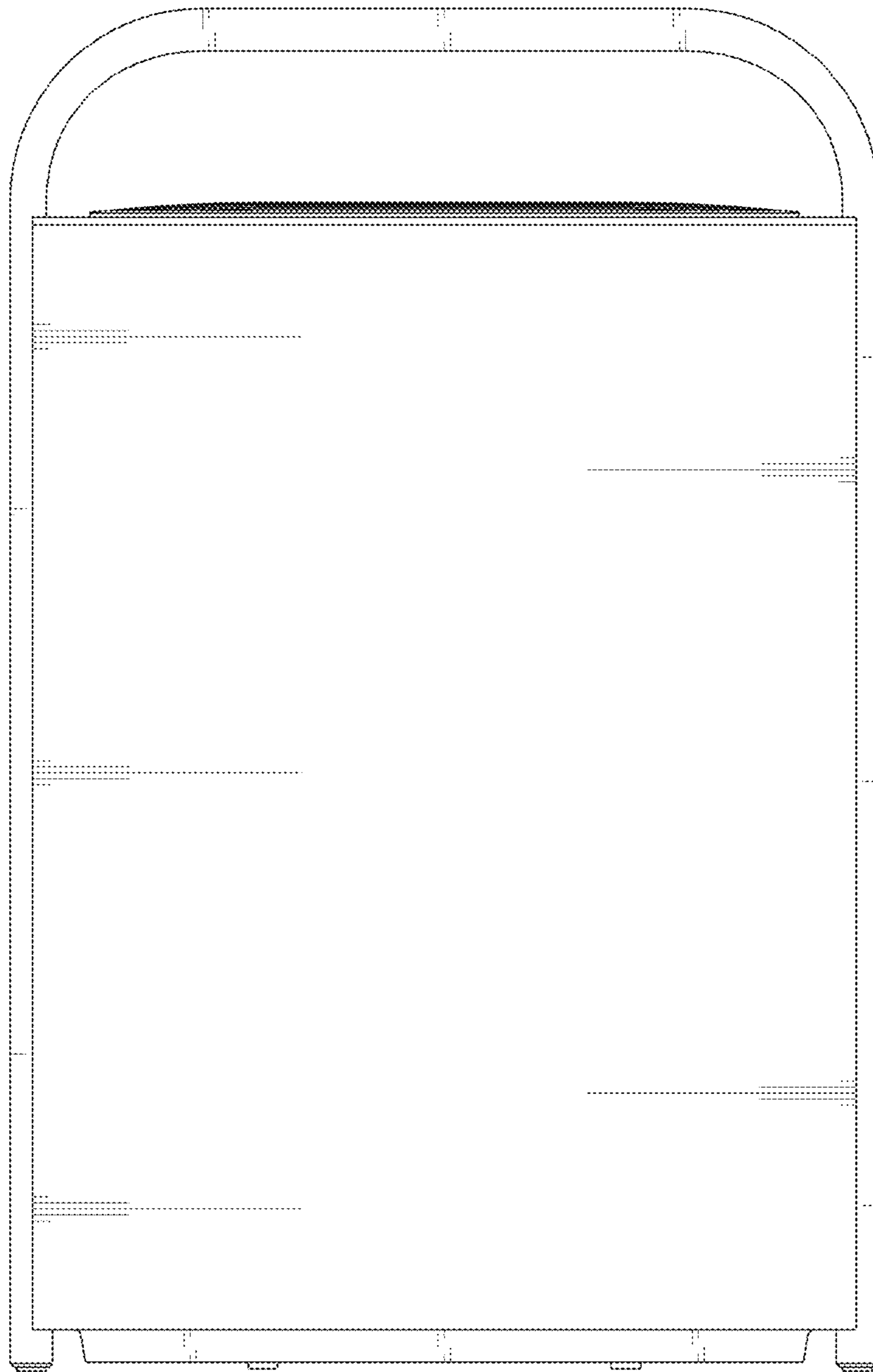


FIG. 3

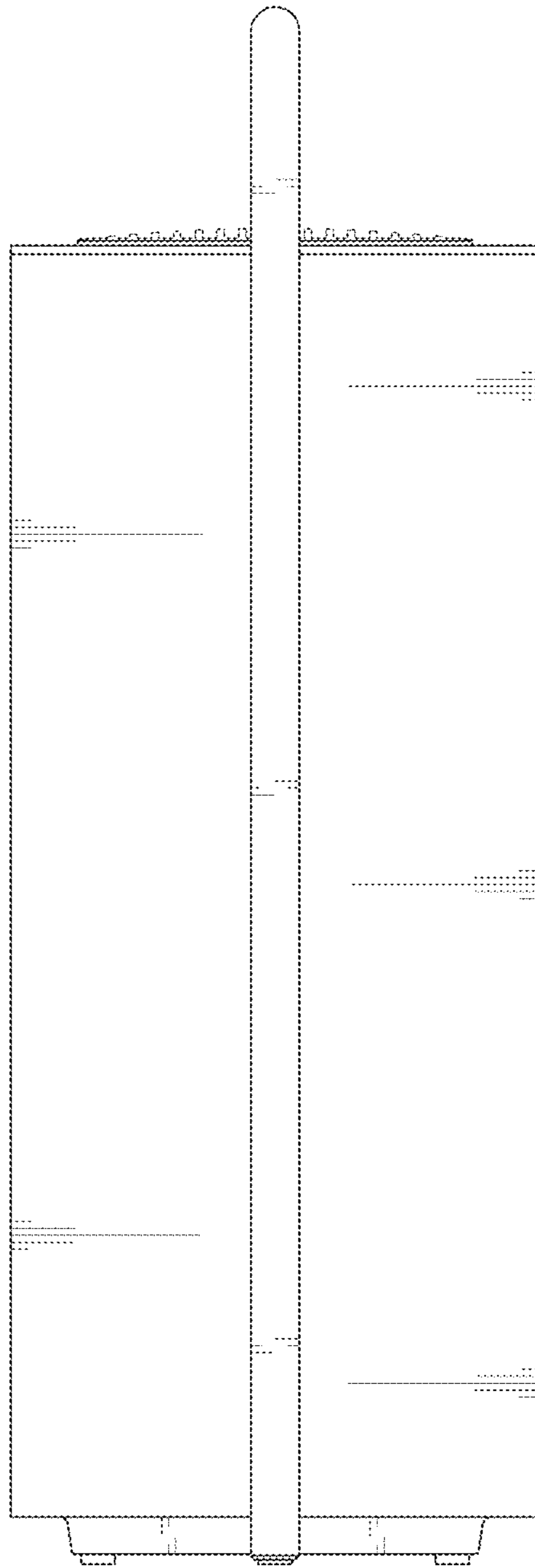


FIG. 4

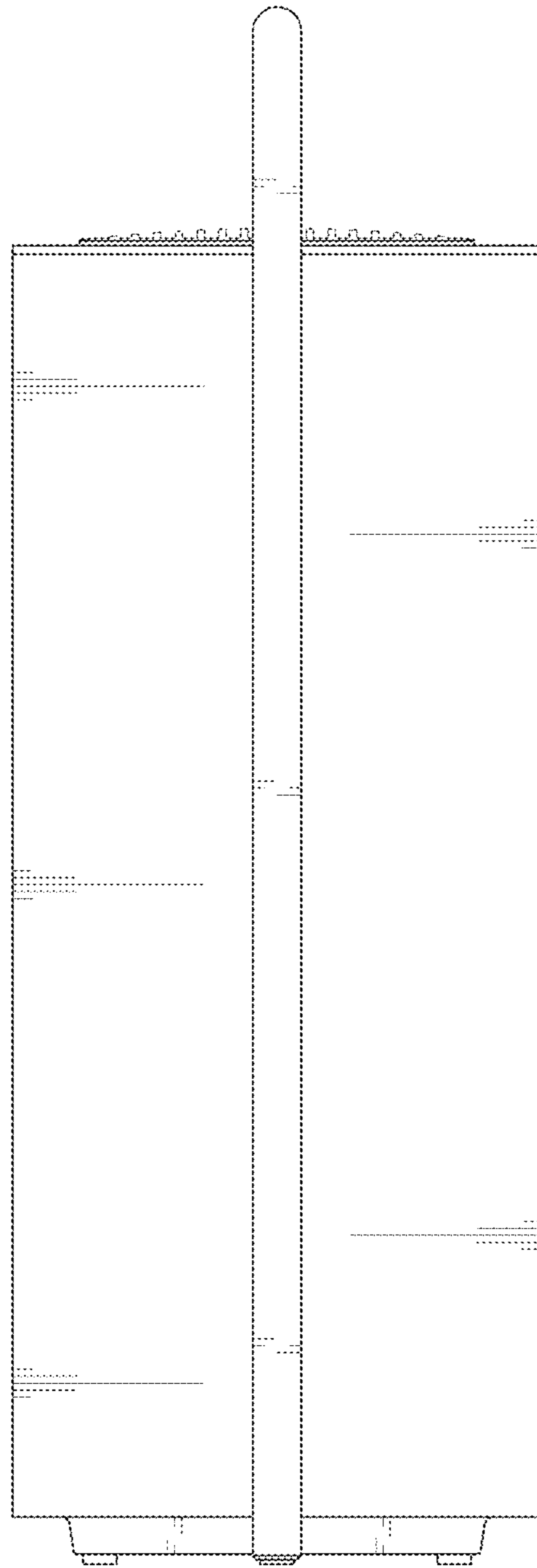


FIG. 5

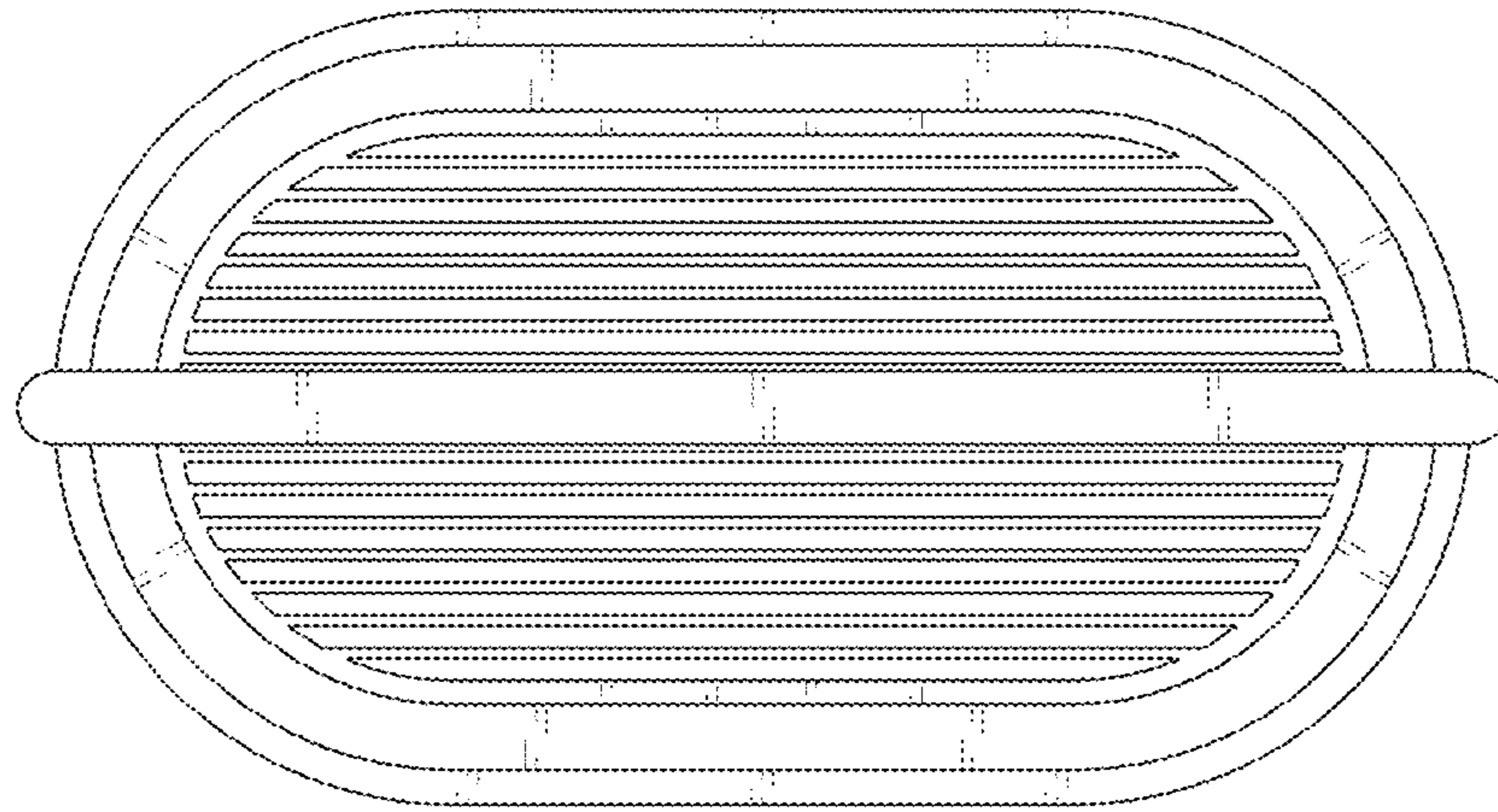


FIG. 6

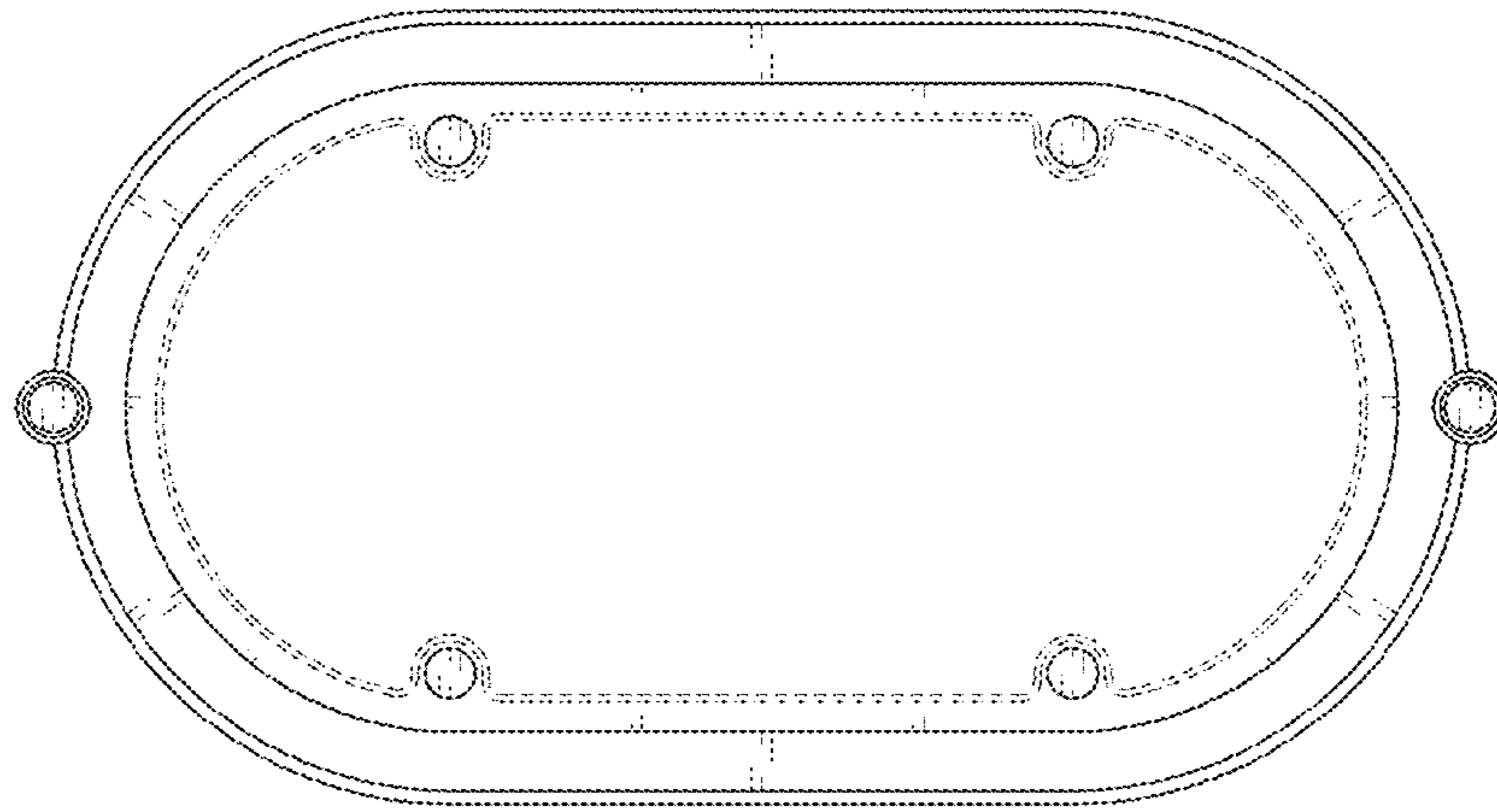


FIG. 7

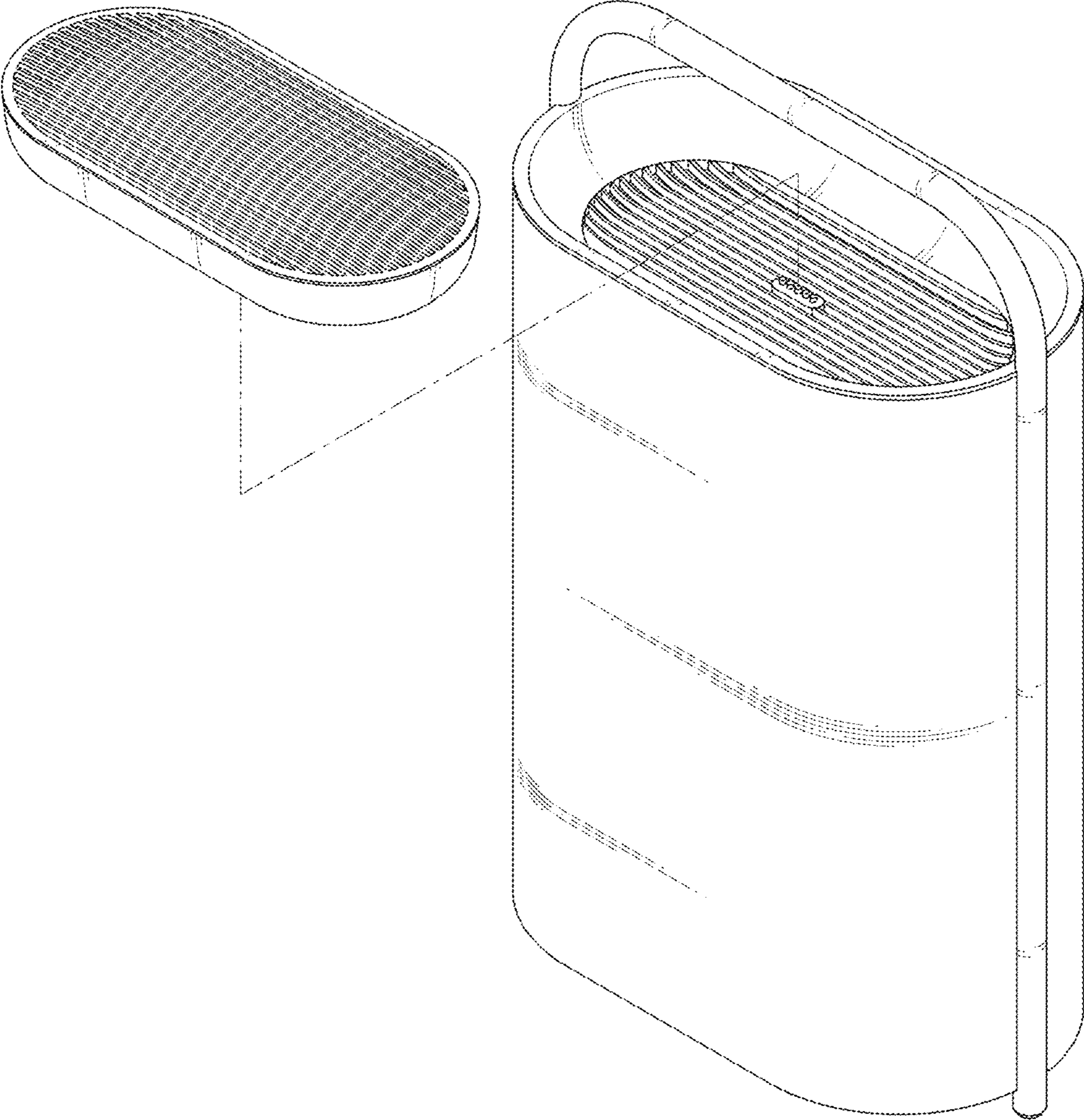


FIG. 8