



US00D909554S

(12) **United States Design Patent**
Ikegaya et al.

(10) **Patent No.:** **US D909,554 S**

(45) **Date of Patent:** **** Feb. 2, 2021**

(54) **AIR CONDITIONER**

(71) Applicant: **Mitsubishi Electric Corporation,**
Tokyo (JP)

(72) Inventors: **Takanori Ikegaya,** Tokyo (JP); **Shinya Ishihama,** Tokyo (JP)

(73) Assignee: **Mitsubishi Electric Corporation,**
Tokyo (JP)

(**) Term: **15 Years**

(21) Appl. No.: **29/700,922**

(22) Filed: **Aug. 7, 2019**

(30) **Foreign Application Priority Data**

Feb. 8, 2019 (JP) 2019-002602

(51) **LOC (13) Cl.** **23-04**

(52) **U.S. Cl.**
USPC **D23/351**

(58) **Field of Classification Search**
USPC D23/333, 351-354, 388
CPC F24F 1/00; F24F 1/0007; F24F 1/02; F24F 1/08; F24F 1/42; F24F 1/56; F24F 1/60; F24F 3/044; F24F 3/048; F24F 3/16; G05D 23/1905; G05D 23/1932; G05D 23/1902; G05D 23/1931; G05B 19/0426; G05B 19/409; G05B 15/02

See application file for complete search history.

(56) **References Cited**

U.S. PATENT DOCUMENTS

D529,595 S * 10/2006 Ueno D23/351
D565,158 S * 3/2008 Nagahori D23/351
D579,095 S * 10/2008 Nagahori D23/351
D584,806 S * 1/2009 Oh D23/351
D605,266 S * 12/2009 Nakamura D23/351
D613,842 S * 4/2010 Yamashita D23/351

D621,018 S * 8/2010 Nagahori D23/351
D689,179 S * 9/2013 Nishiguchi D23/351
D720,060 S * 12/2014 Murai D23/351
D720,061 S * 12/2014 Nakamura D23/351
D720,445 S * 12/2014 Murai D23/351
D761,404 S * 7/2016 Chouji D23/351
D761,406 S * 7/2016 Zhang D23/351
D814,001 S * 3/2018 Arai D23/351
D849,909 S * 5/2019 Arai D23/351

FOREIGN PATENT DOCUMENTS

JP 1573439 S 6/2018

OTHER PUBLICATIONS

An Office Action; "Notice of Reasons for Rejection," issued by the Japanese Patent Office on Jul. 2, 2019, which corresponds to Japanese Patent Application No. 2019-002602 and is related to U.S. Appl. No. 29/700,922.

* cited by examiner

Primary Examiner — Natasha Vujcic
(74) *Attorney, Agent, or Firm* — Studebaker & Brackett PC

(57) **CLAIM**

The ornamental design for an air conditioner, as shown and described.

DESCRIPTION

FIG. 1 is a front perspective view of the front, right, and bottom sides of an air conditioner showing our new design; FIG. 2 is a front view thereof; FIG. 3 is a rear view thereof; FIG. 4 is a right side view thereof, a left side view being a mirror image thereof; FIG. 5 is a top plan view thereof; and, FIG. 6 is a bottom plan view thereof.

1 Claim, 6 Drawing Sheets

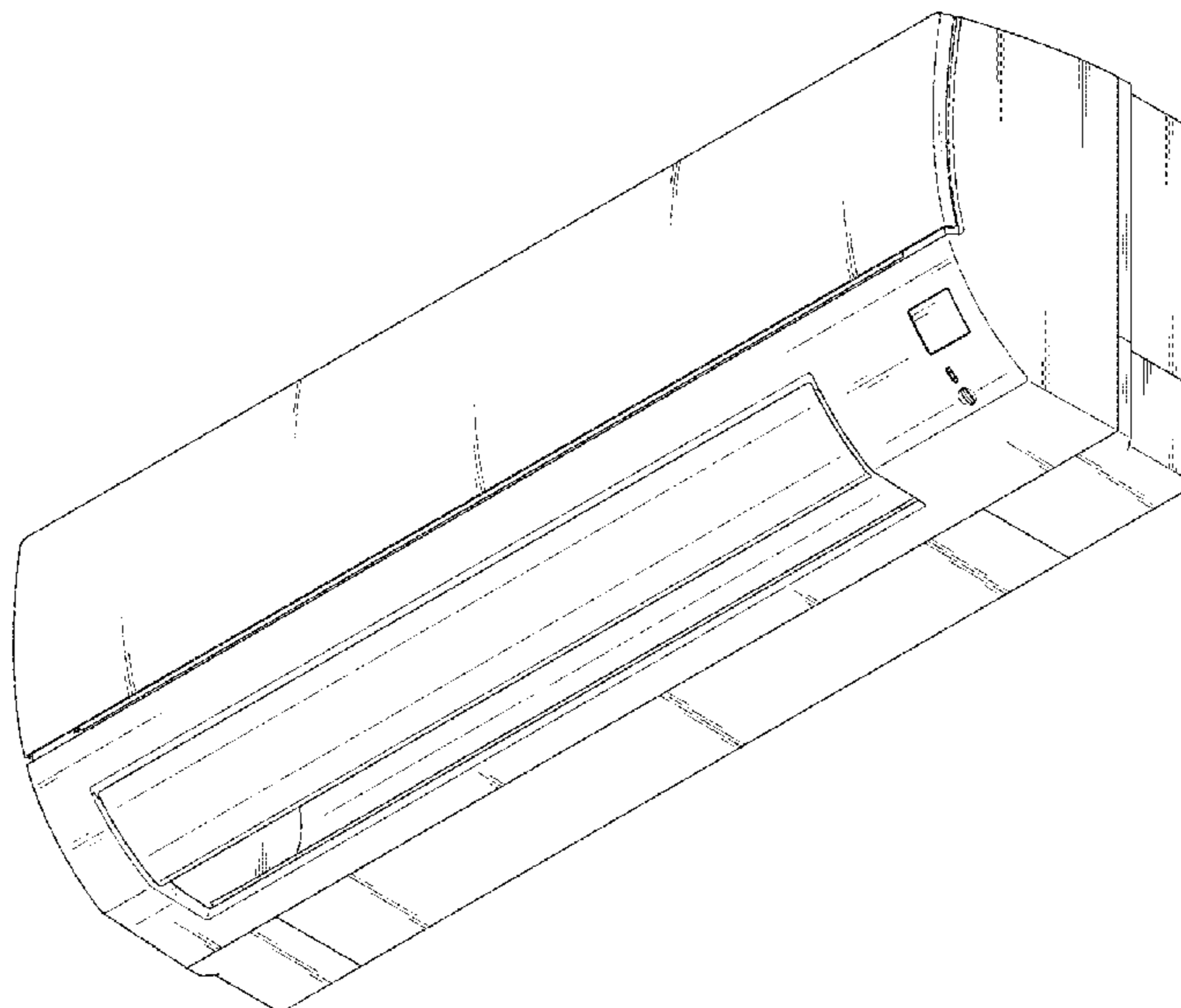


Fig.1

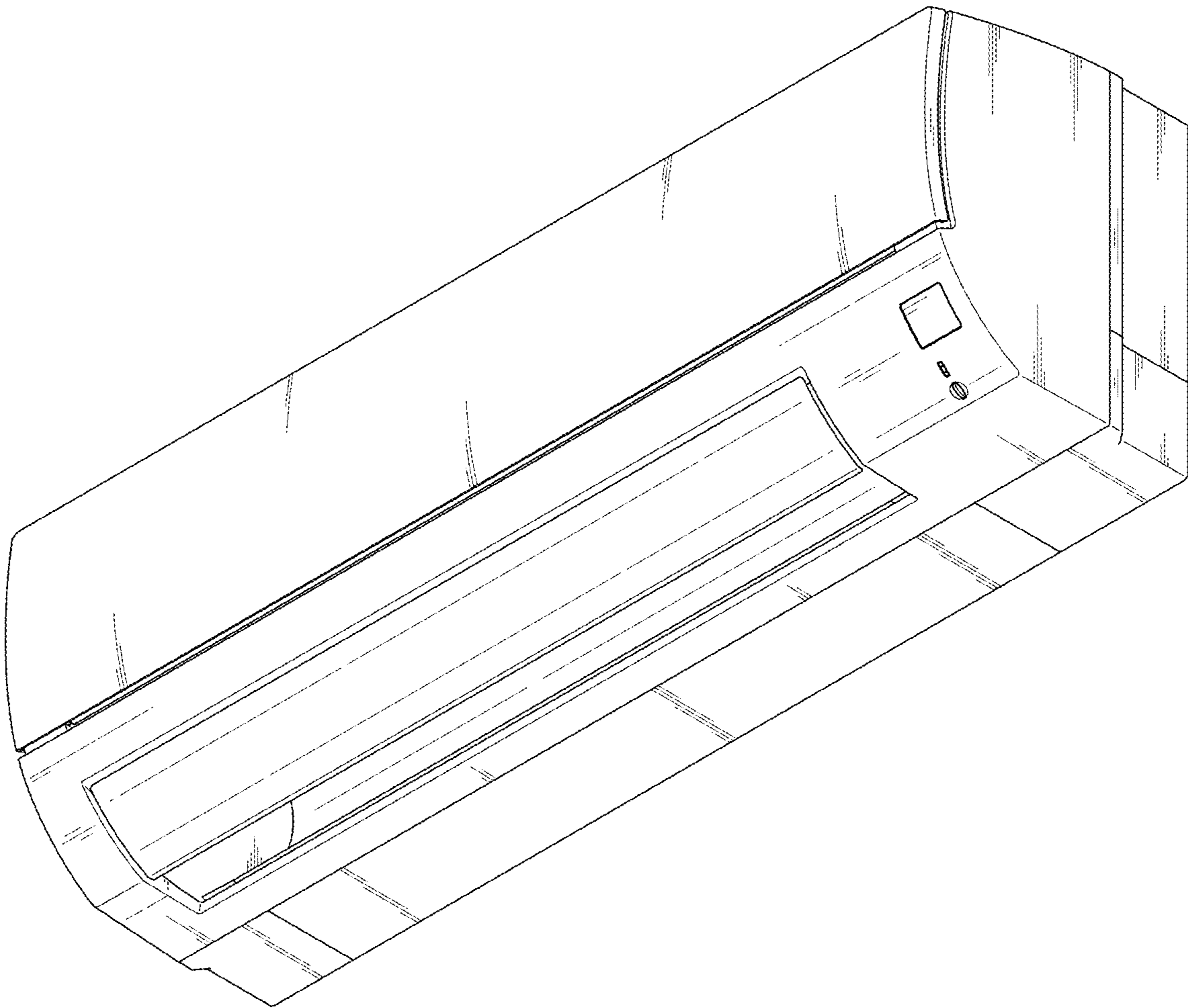


Fig.2

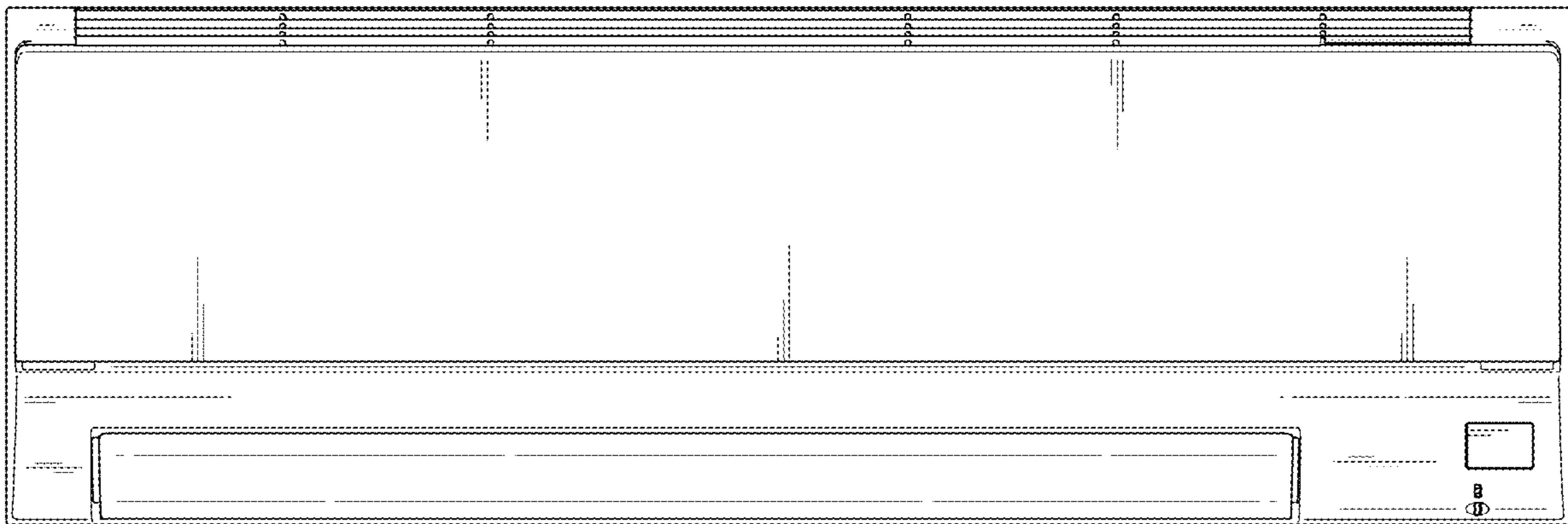


Fig.3

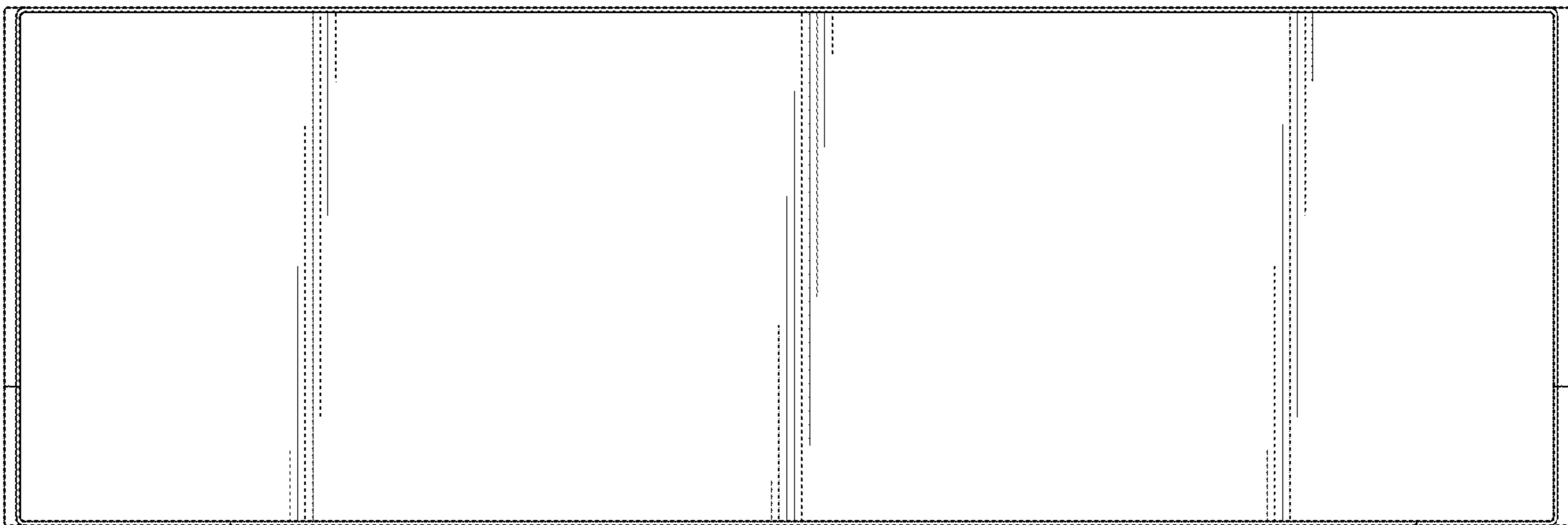


Fig.4

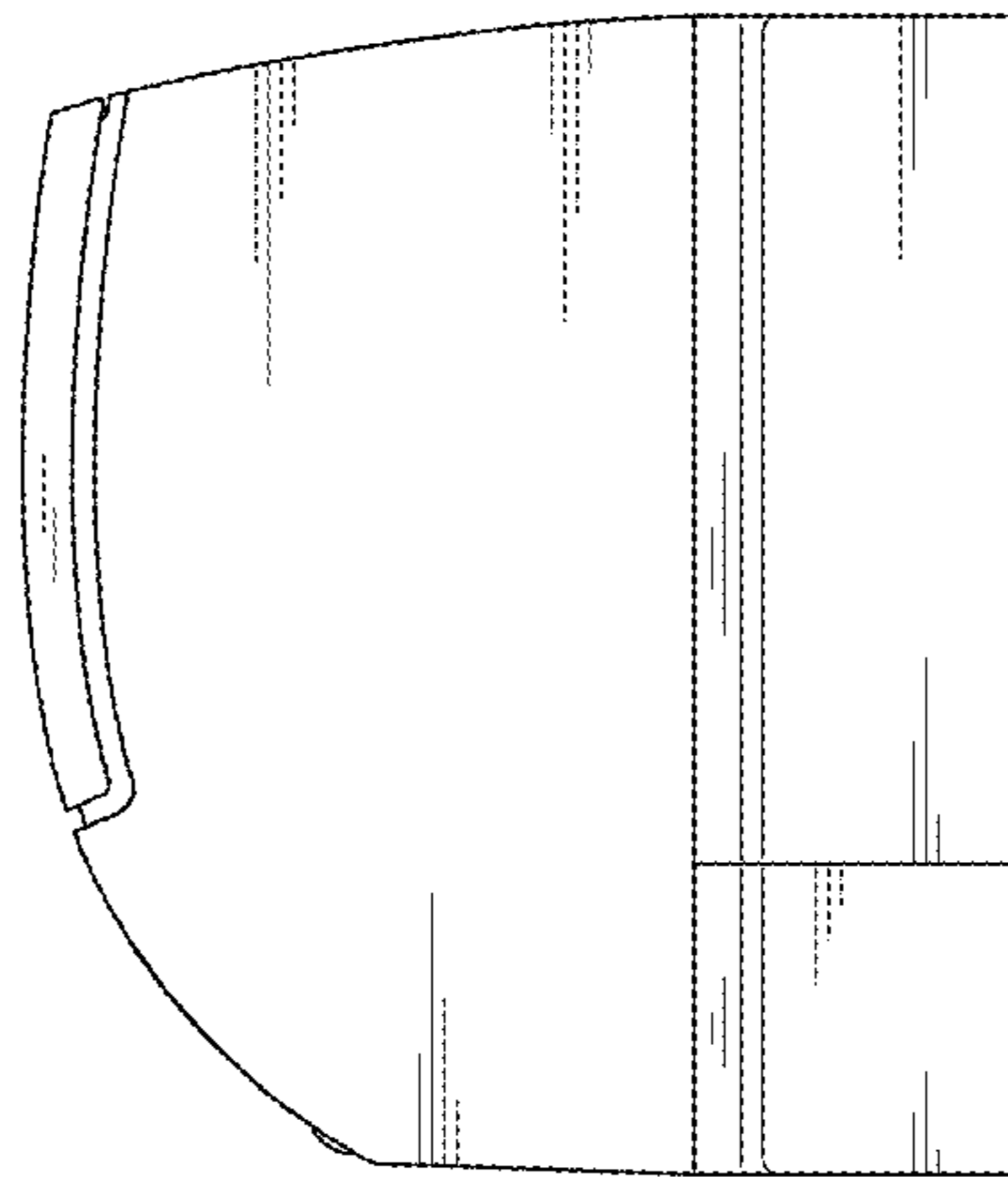


Fig.5

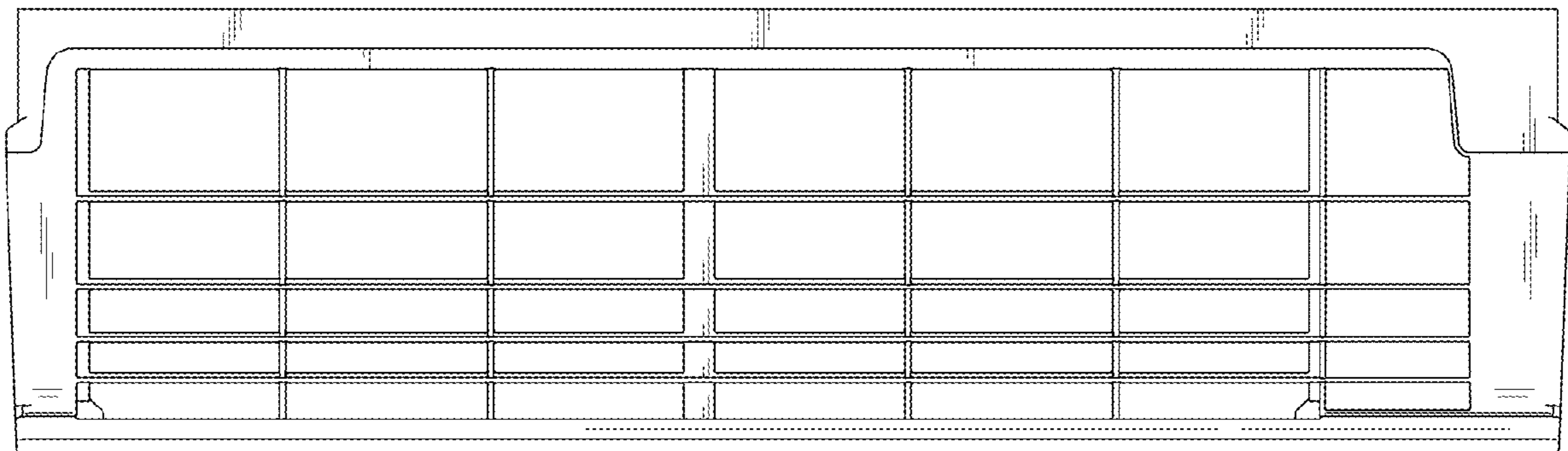


Fig.6

