



US00D909551S

(12) **United States Design Patent** (10) **Patent No.:** **US D909,551 S**  
**Wu** (45) **Date of Patent:** **\*\* Feb. 2, 2021**

- (54) **OVEN**
- (71) Applicant: **Yongjie Wu**, Fenghua (CN)
- (72) Inventor: **Yongjie Wu**, Fenghua (CN)
- (73) Assignee: **FOSHAN SUMOR INTELLIGENT TECHNOLOGY CO., LTD.**, Foshan (CN)
- (\*\*) Term: **15 Years**
- (21) Appl. No.: **29/672,932**
- (22) Filed: **Dec. 10, 2018**
- (51) **LOC (13) Cl.** ..... **23-03**
- (52) **U.S. Cl.**  
USPC ..... **D23/342**
- (58) **Field of Classification Search**  
USPC ..... D23/314, 342, 343, 344; D7/332-334;  
D15/144; D6/403  
CPC ..... F24B 5/06; F24B 1/20  
See application file for complete search history.

- (56) **References Cited**  
U.S. PATENT DOCUMENTS  
D10,824 S \* 9/1878 Vaillant ..... D23/342  
1,199,605 A \* 9/1916 Potter ..... F24B 1/205  
126/29  
D360,423 S \* 7/1995 Neal ..... D15/144  
6,033,286 A \* 3/2000 Langlinais ..... A63H 33/3055  
446/481  
D463,948 S \* 10/2002 Innes ..... D7/332  
D539,071 S \* 3/2007 O'Brien ..... D7/333  
D547,111 S \* 7/2007 Loyd ..... D7/348  
D674,234 S \* 1/2013 Todd ..... D7/334  
D680,794 S \* 4/2013 Chung ..... D7/332  
D688,507 S \* 8/2013 Hill ..... D7/323  
D710,982 S \* 8/2014 Baril ..... D23/314  
D715,084 S \* 10/2014 Hill ..... D7/332  
D720,569 S \* 1/2015 Hill ..... D7/334

- D790,901 S \* 7/2017 Zhou ..... D7/334
- D820,628 S \* 6/2018 Zhou ..... D7/334
- D845,695 S \* 4/2019 Wu ..... D7/334
- D849,908 S \* 5/2019 Wu ..... D23/343
- D853,774 S \* 7/2019 Tapaninaho ..... D7/339
- D862,969 S \* 10/2019 Tapaninaho ..... D7/339
- 2010/0258107 A1 \* 10/2010 Davidson ..... F24B 1/207  
126/276
- 2018/0213973 A1 \* 8/2018 Tapaninaho ..... A47J 37/0763
- 2019/0049117 A1 \* 2/2019 Tapaninaho ..... F24B 1/20

**FOREIGN PATENT DOCUMENTS**

CN 302131324 \* 5/2012

\* cited by examiner

*Primary Examiner* — Barbara Fox

*Assistant Examiner* — Jamaal Rasheed

(74) *Attorney, Agent, or Firm* — Justin Lampel

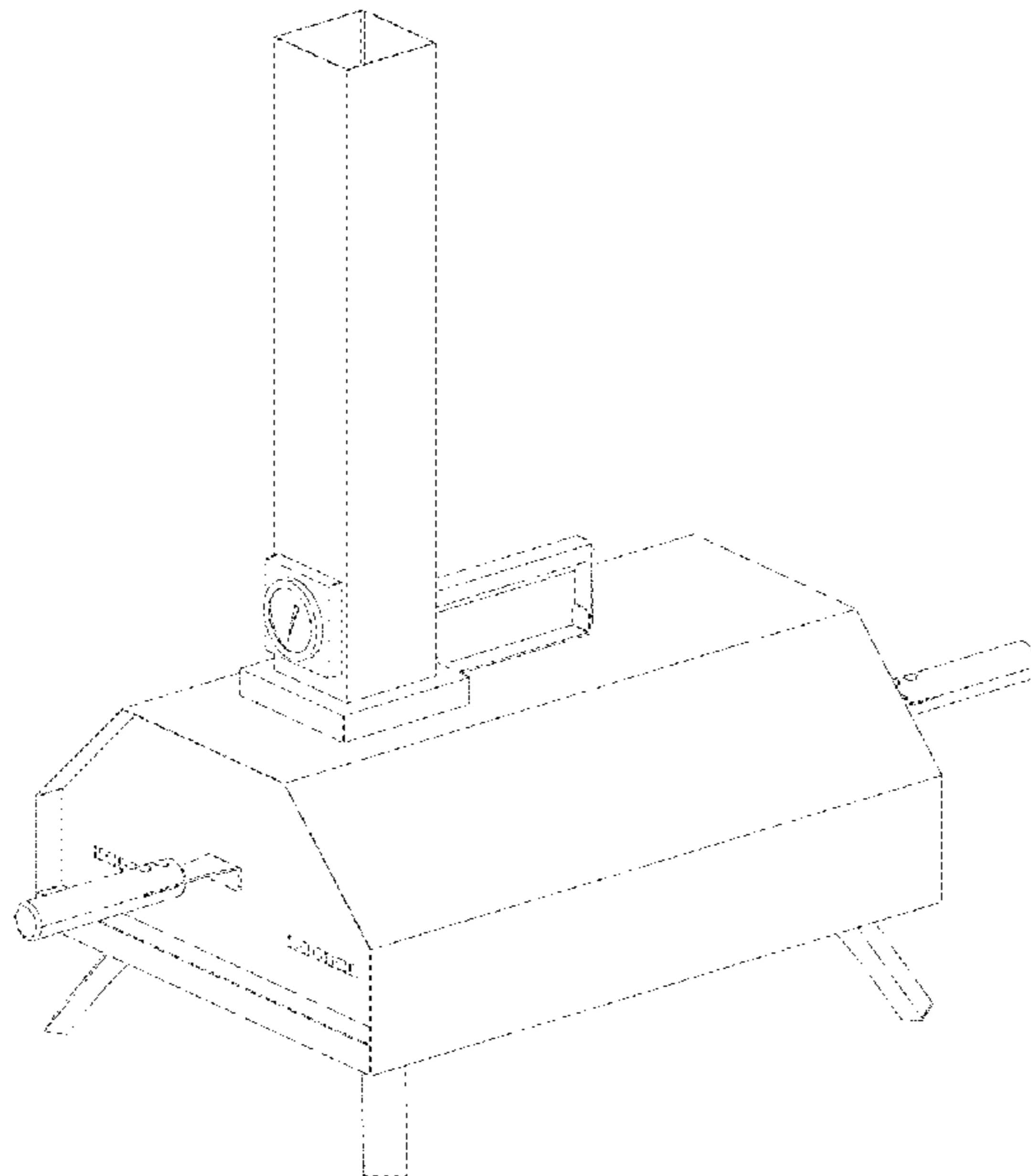
(57) **CLAIM**

The ornamental design for an oven, as shown and described.

**DESCRIPTION**

FIG. 1 is a perspective view of an oven showing my new design;  
 FIG. 2 is a perspective view of an oven showing my new design;  
 FIG. 3 is a perspective view of an oven showing my new design;  
 FIG. 4 is a top plan view thereof;  
 FIG. 5 is a rear elevational view thereof;  
 FIG. 6 is a bottom plan view thereof;  
 FIG. 7 is a right side view thereof;  
 FIG. 8 is a front elevational view thereof; and,  
 FIG. 9 is a left side view thereof.  
 The broken lines shown in the drawings depict portions of the oven that form no part of the claimed design.

**1 Claim, 9 Drawing Sheets**



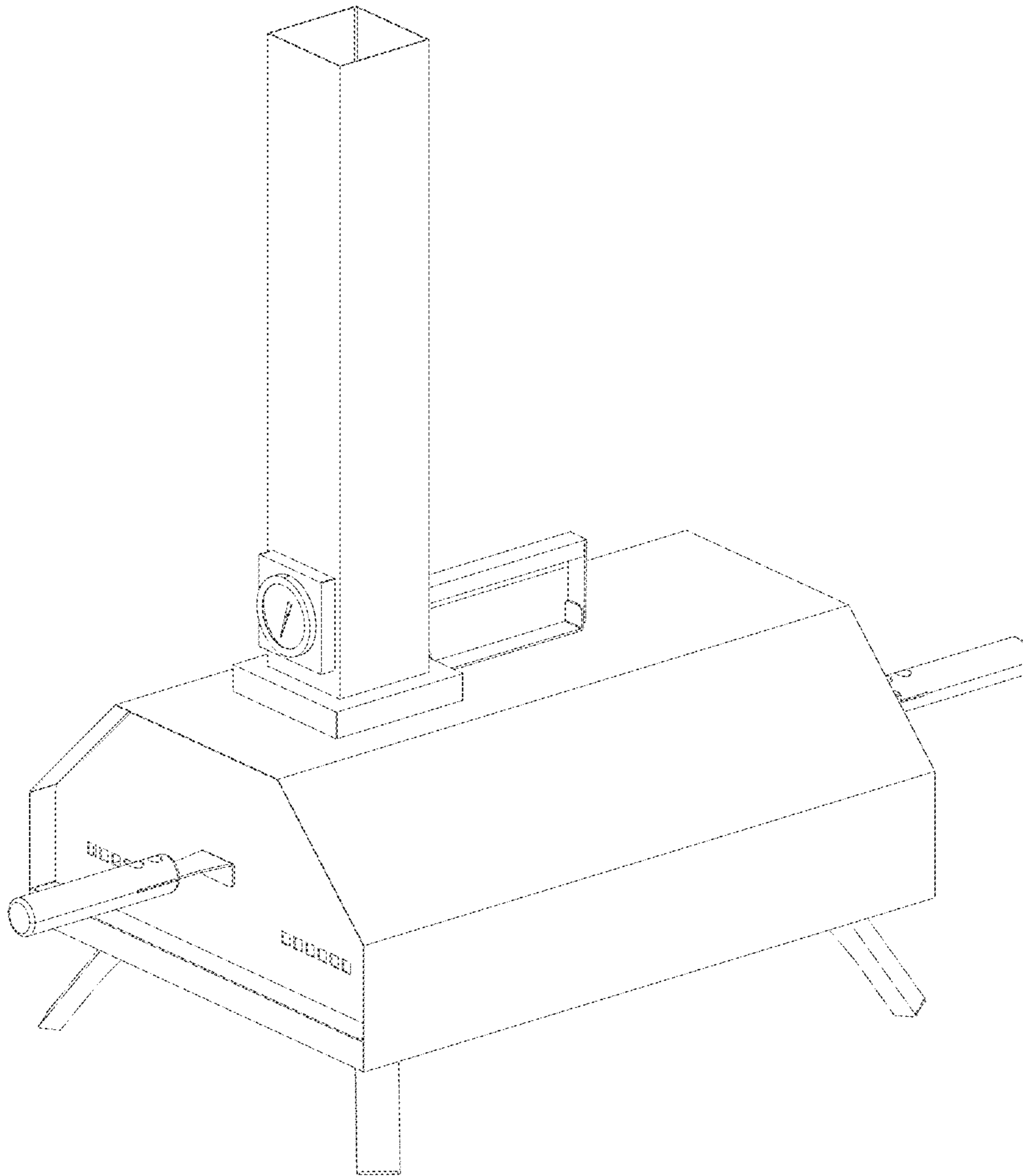


FIG.1

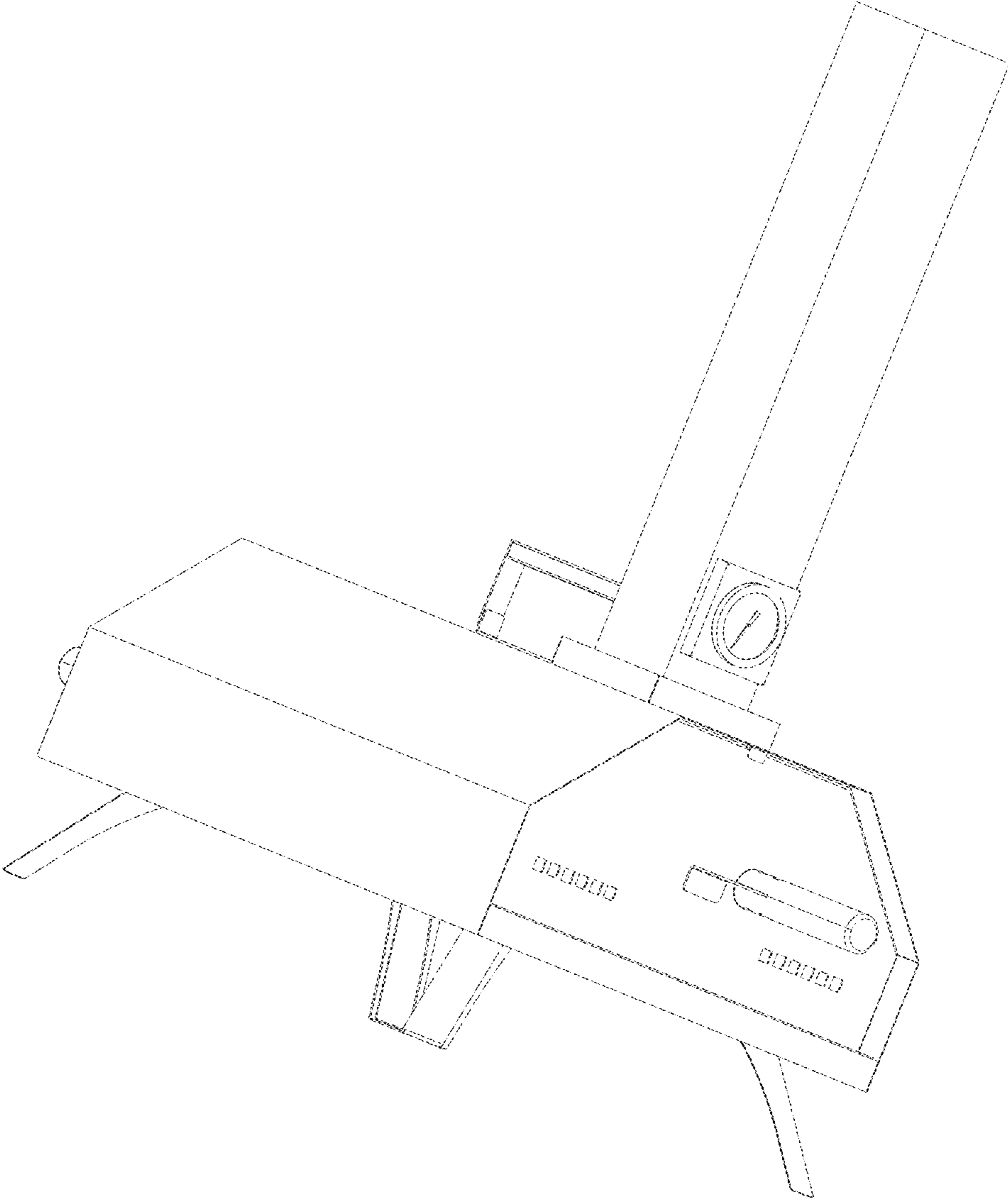


FIG. 2

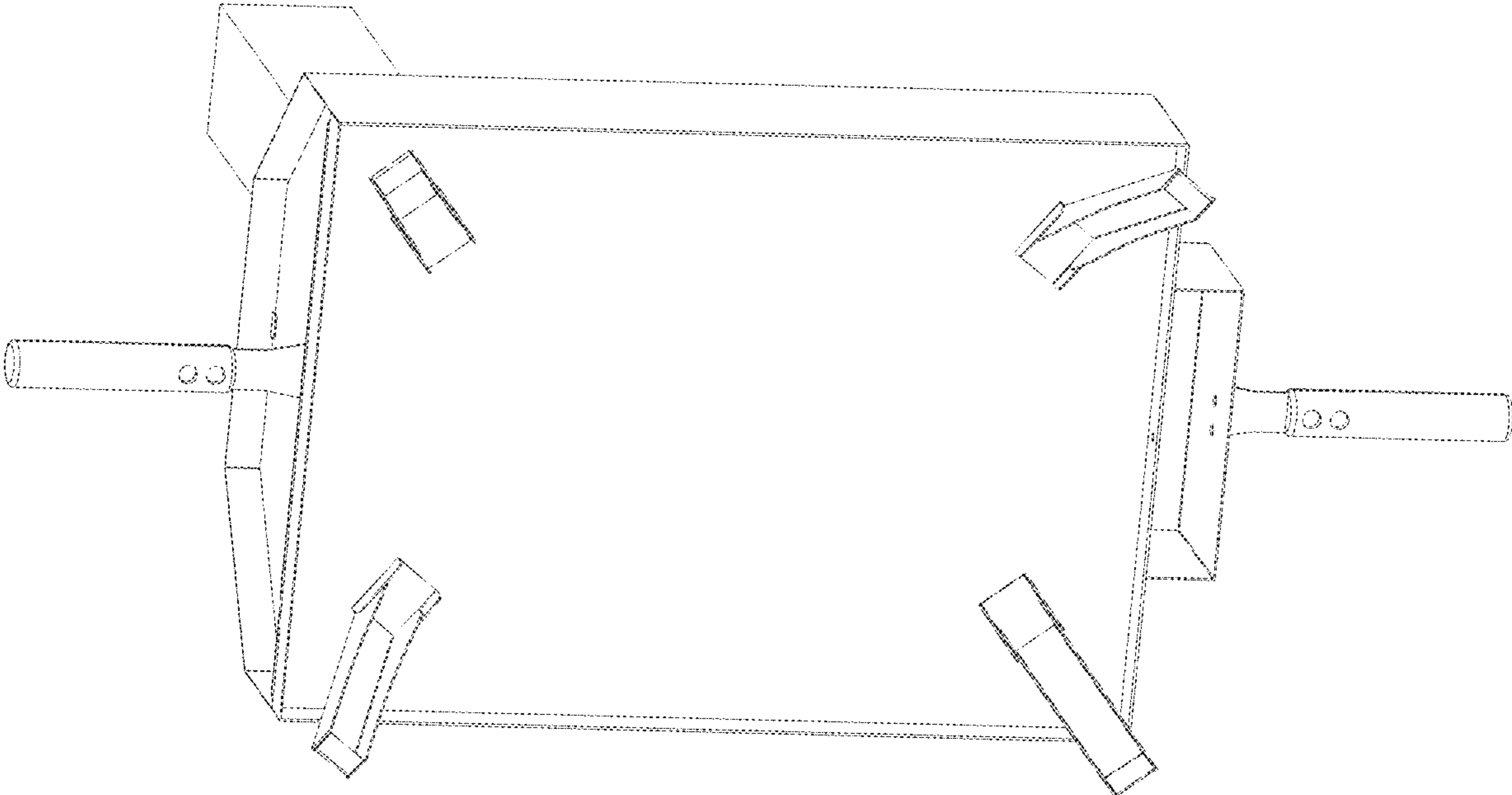


FIG.3

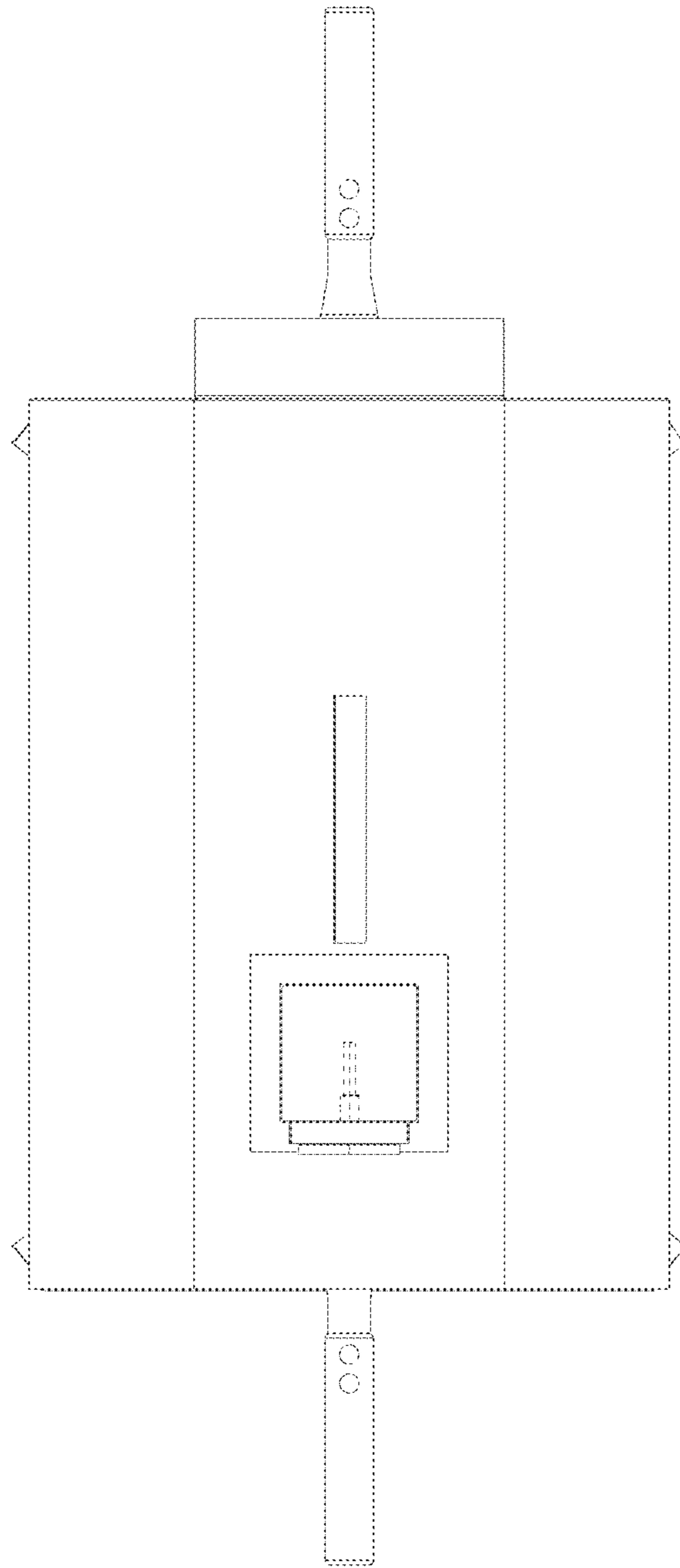


FIG.4

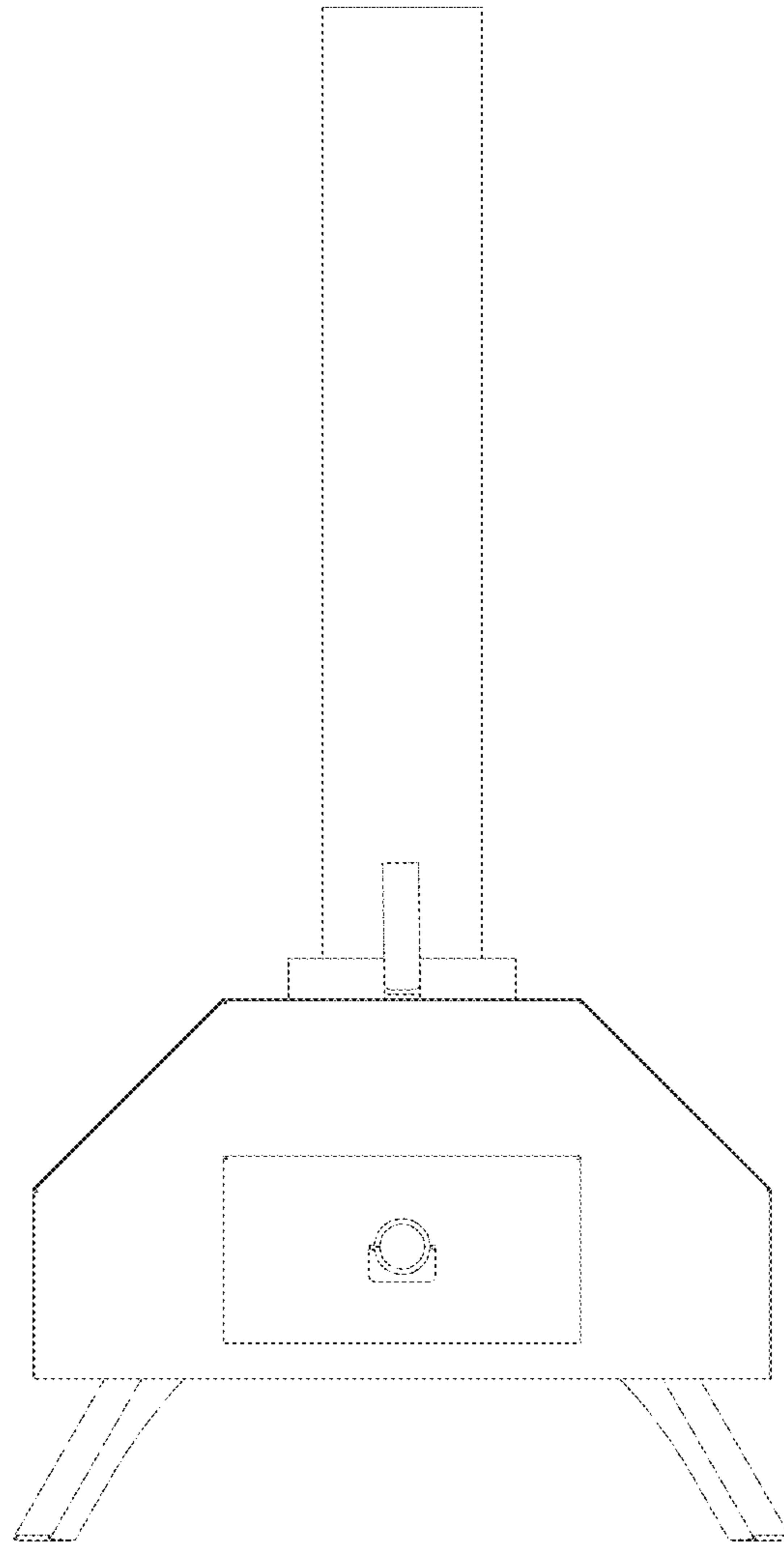


FIG. 5

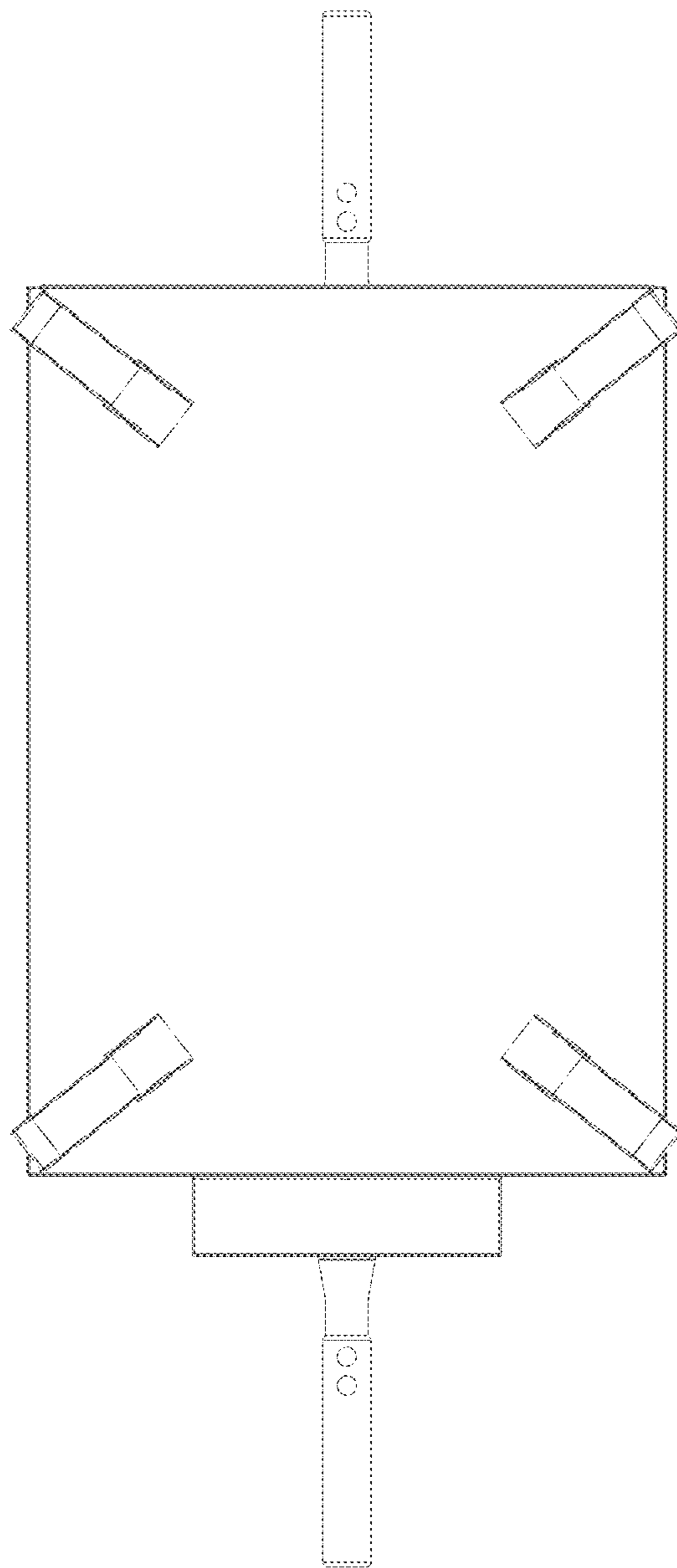


FIG. 6

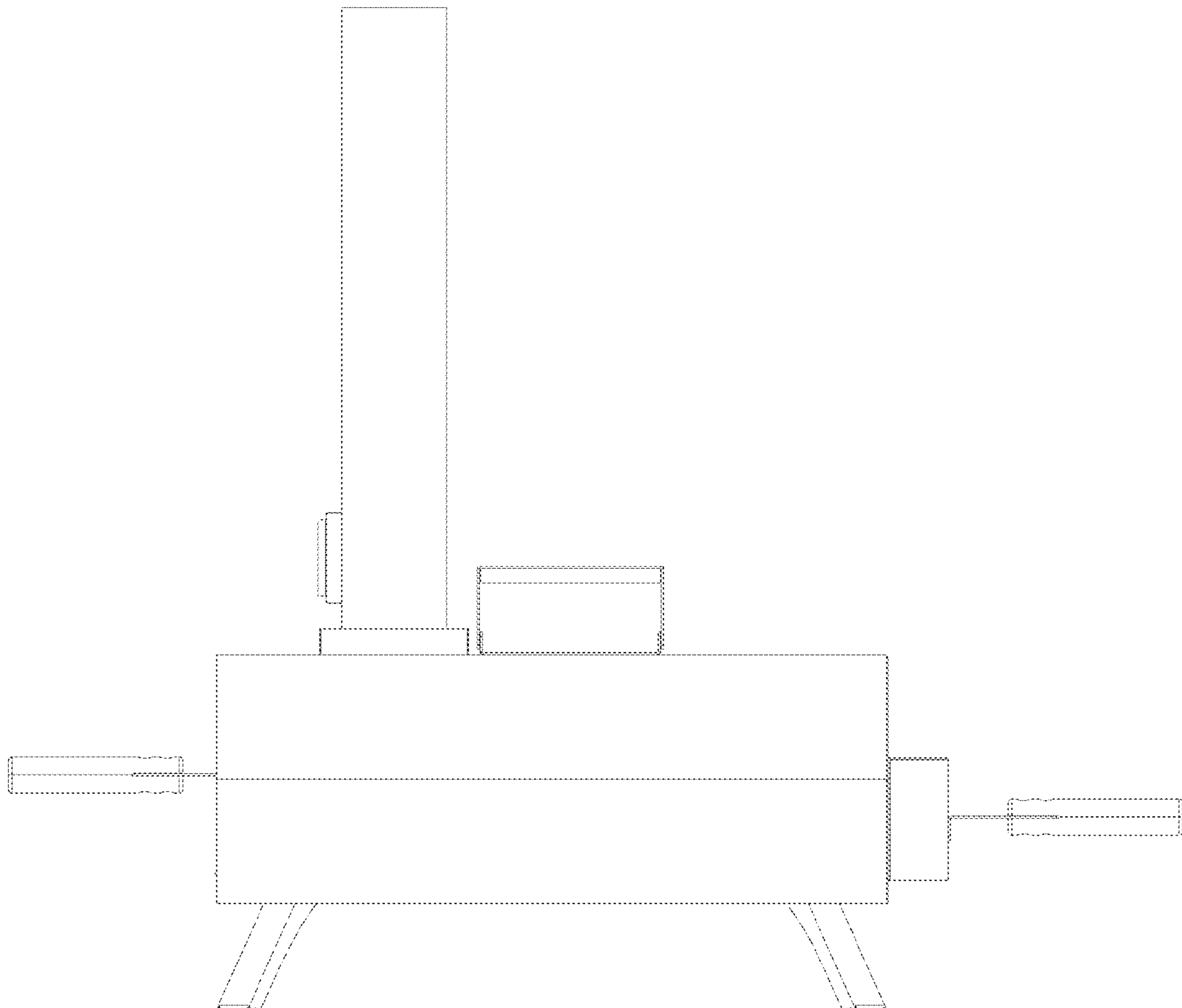


FIG. 7



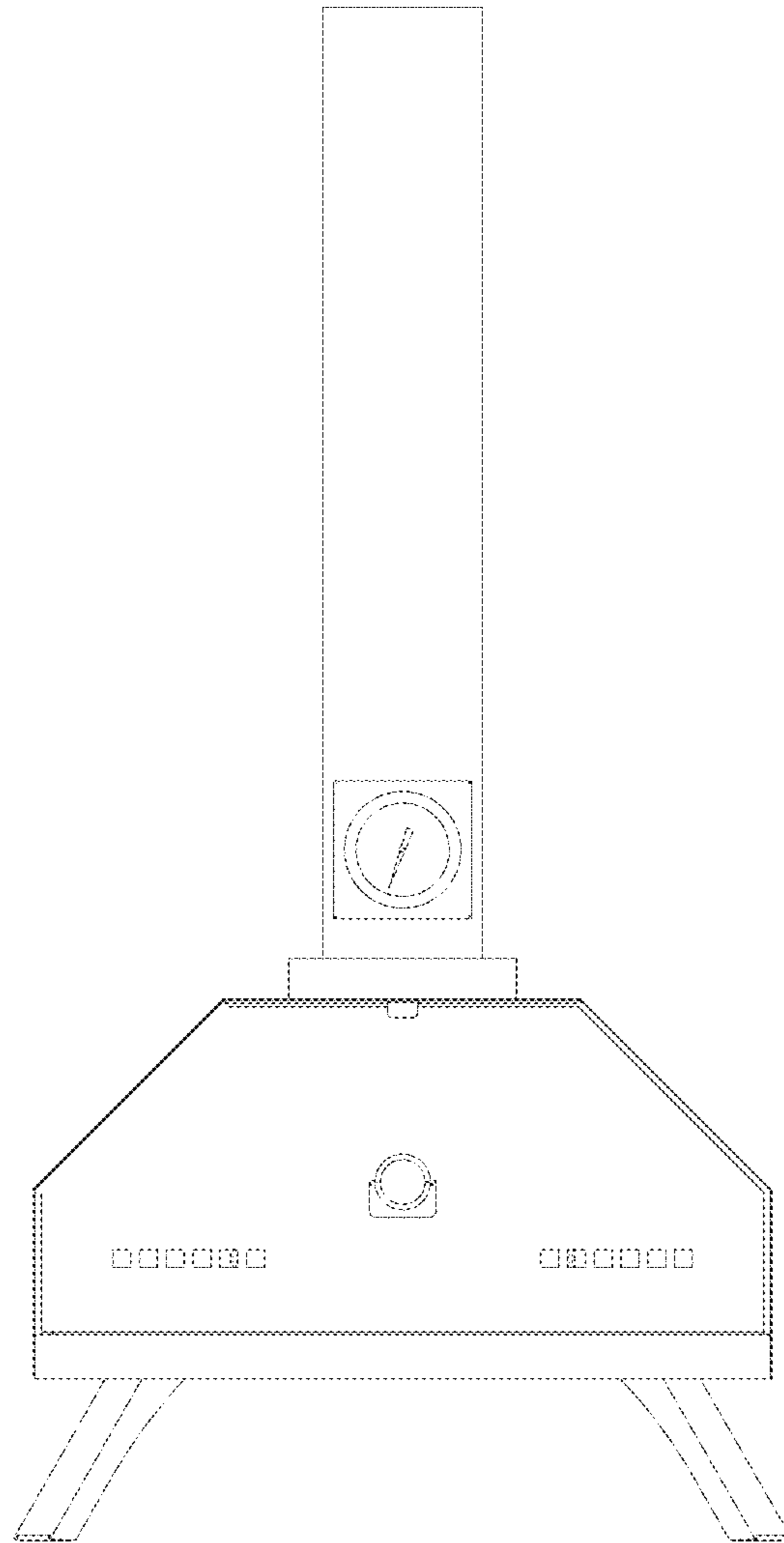


FIG.8

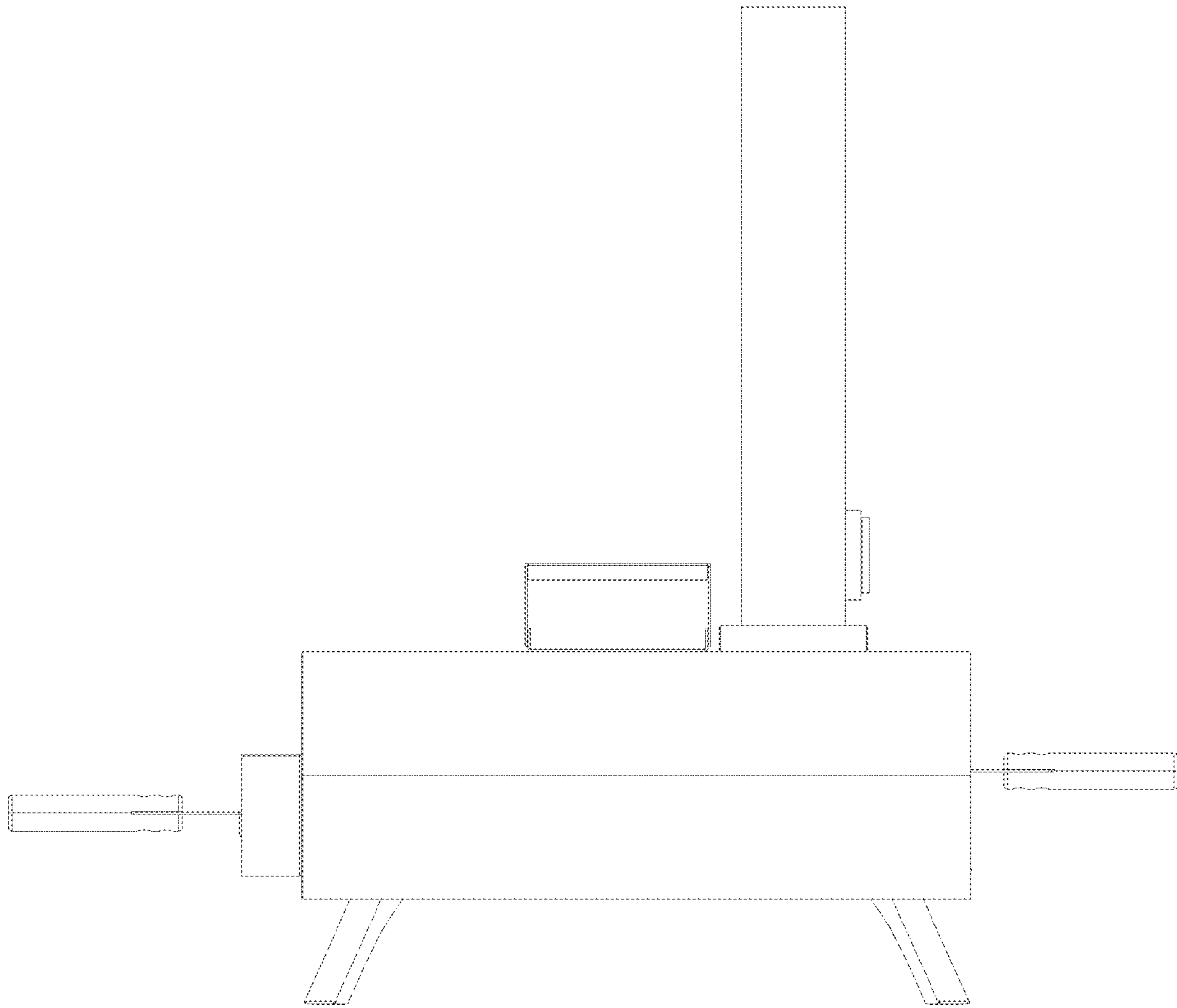


FIG. 9