



US00D909550S

(12) **United States Design Patent**
Green

(10) **Patent No.:** **US D909,550 S**

(45) **Date of Patent:** **** Feb. 2, 2021**

(54) **PORTABLE HEATER**

(71) Applicant: **Jeff Green**, Beverly Hills, CA (US)

(72) Inventor: **Jeff Green**, Beverly Hills, CA (US)

(**) Term: **15 Years**

(21) Appl. No.: **29/705,399**

(22) Filed: **Sep. 11, 2019**

(51) **LOC (13) Cl.** **23-03**

(52) **U.S. Cl.**
USPC **D23/336; D23/337**

(58) **Field of Classification Search**
USPC D23/332, 333, 335-337, 364, 370, 378,
D23/379, 381-383, 342
CPC F04D 25/08; F04D 29/38; F04D 29/384;
F04D 29/386; F24C 7/065
See application file for complete search history.

(56) **References Cited**

U.S. PATENT DOCUMENTS

1,709,052	A *	4/1929	Anderson	F24C 7/065 219/546
2,512,061	A *	6/1950	Huck	F24C 7/065 392/429
D312,684	S *	12/1990	Geissler	D23/336
D385,022	S *	10/1997	Glenn	D23/332
D391,355	S *	2/1998	Hedrington	D23/332
D412,565	S *	8/1999	Lee	D23/332
D413,660	S *	9/1999	Lee	D23/332
6,215,956	B1 *	4/2001	Lee	F24C 7/065 392/373
D456,067	S *	4/2002	Kalina	D23/336
D503,220	S *	3/2005	Kim	D23/332
D633,189	S *	2/2011	Berge	D23/342

D831,816	S *	10/2018	Baek	D23/378
2003/0128972	A1 *	7/2003	Choi	F24C 7/065 392/428
2009/0296376	A1 *	12/2009	Chan	F21V 33/00 362/101

* cited by examiner

Primary Examiner — Cathron C Brooks

Assistant Examiner — Sharon S Oum

(74) *Attorney, Agent, or Firm* — Lewis Roca Rothgerber
Christie LLP

(57) **CLAIM**

The ornamental design for portable heater, as shown and described.

DESCRIPTION

FIG. 1 is a perspective view taken from the top, front and left side of a portable heater showing my new design, according to a first embodiment;
 FIG. 2 is a front side view thereof;
 FIG. 3 is a left side view thereof;
 FIG. 4 is a rear view thereof;
 FIG. 5 is a top view thereof;
 FIG. 6 is a bottom view thereof;
 FIG. 7 is a perspective view taken from the top, front and left side of a portable heater showing my new design, according to a second embodiment;
 FIG. 8 is a front side view thereof;
 FIG. 9 is a left side view thereof;
 FIG. 10 is a rear view thereof;
 FIG. 11 is a top view thereof; and,
 FIG. 12 is a bottom view thereof.
 The broken lines illustrate portions of the portable heater and form no part of the claimed design.

1 Claim, 12 Drawing Sheets

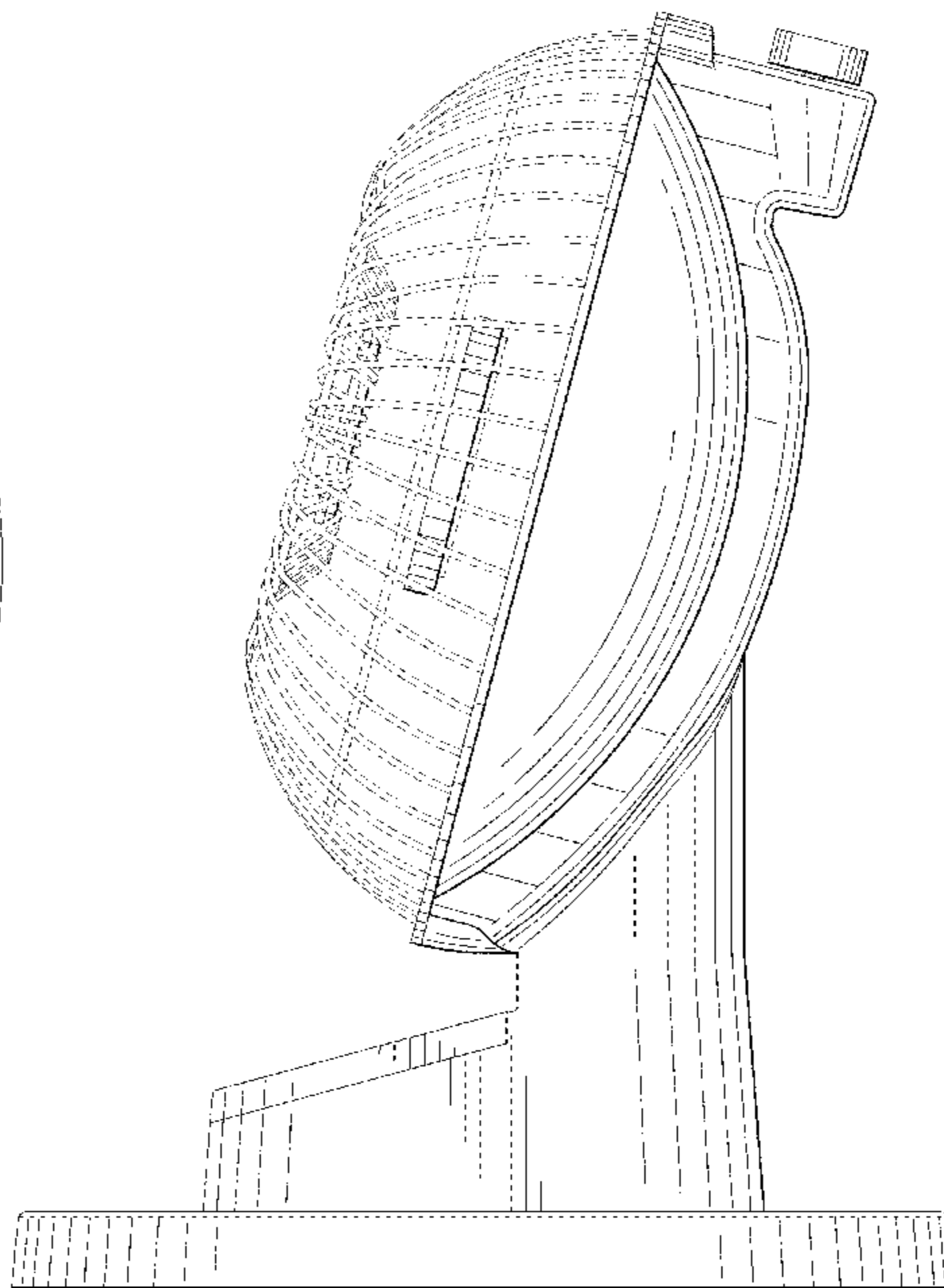
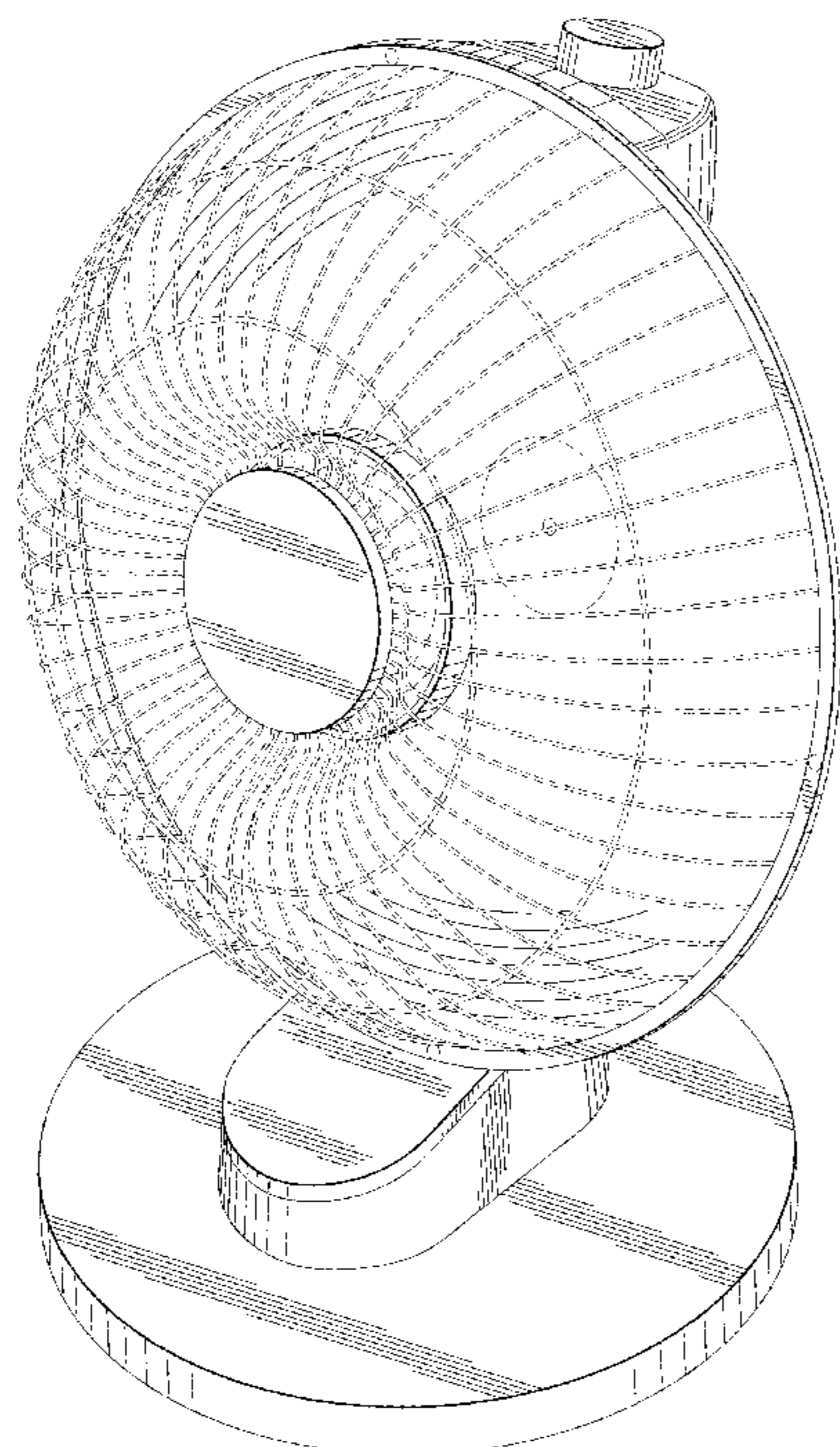


FIG. 1

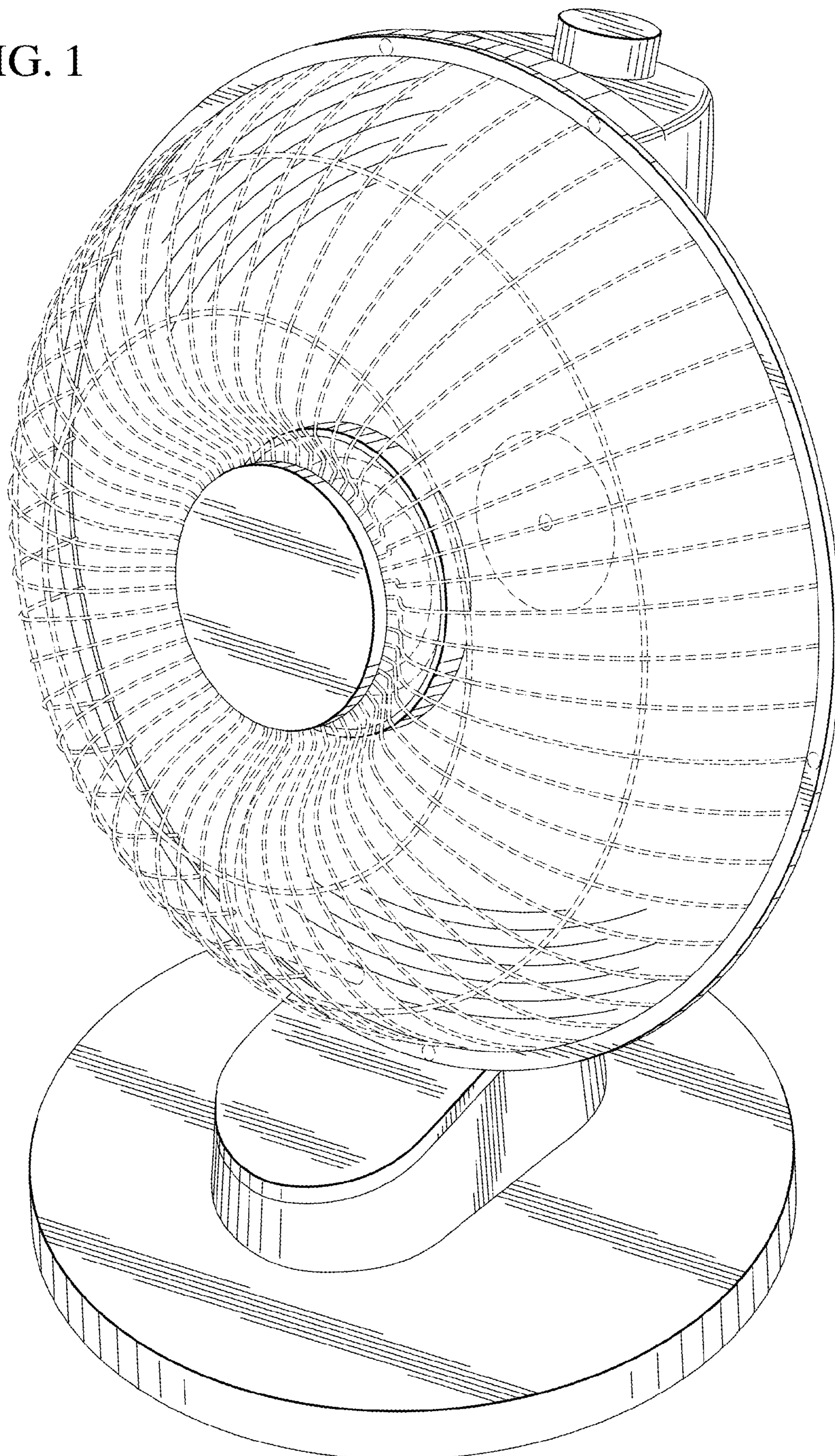


FIG. 2

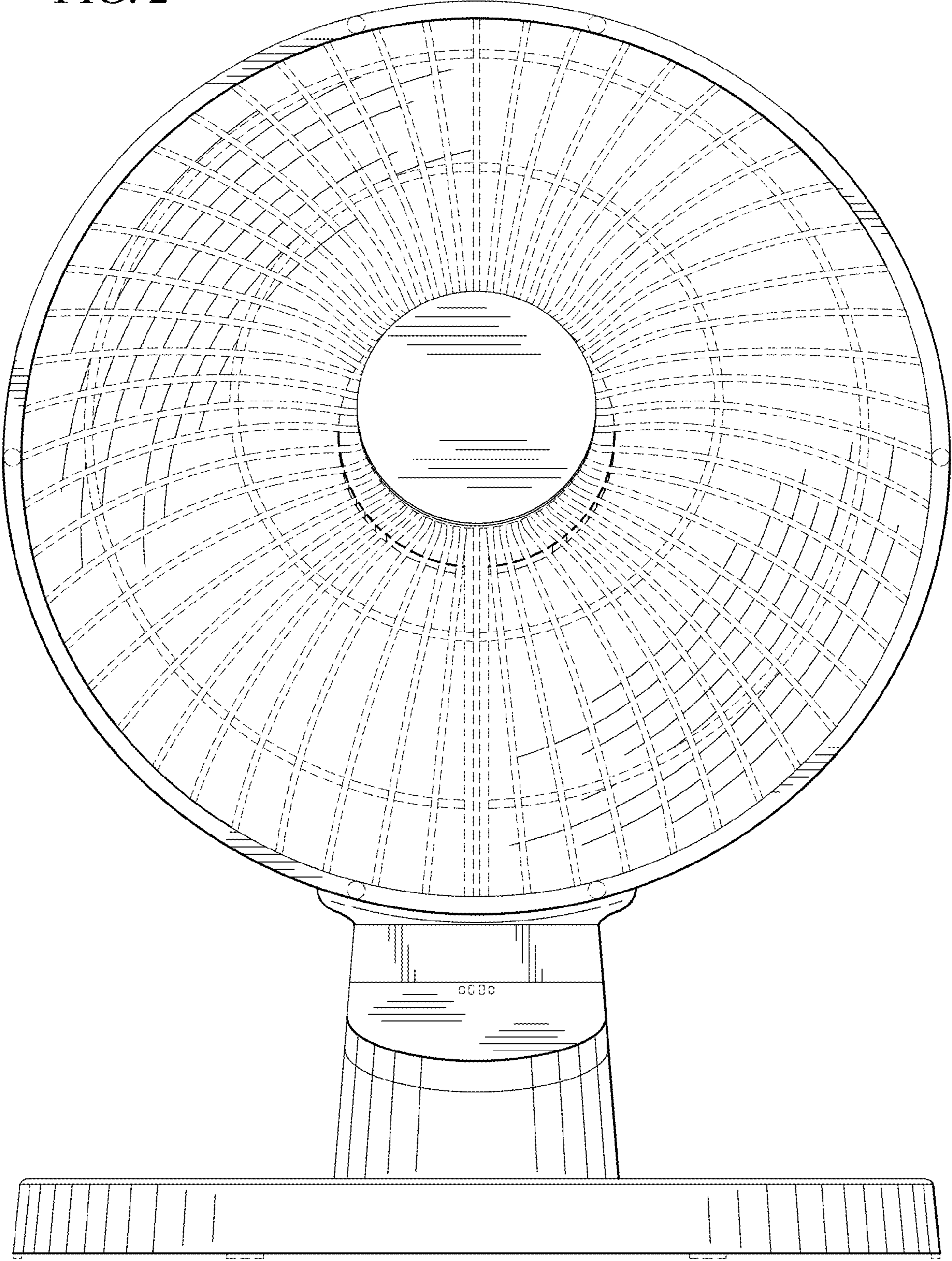


FIG. 3

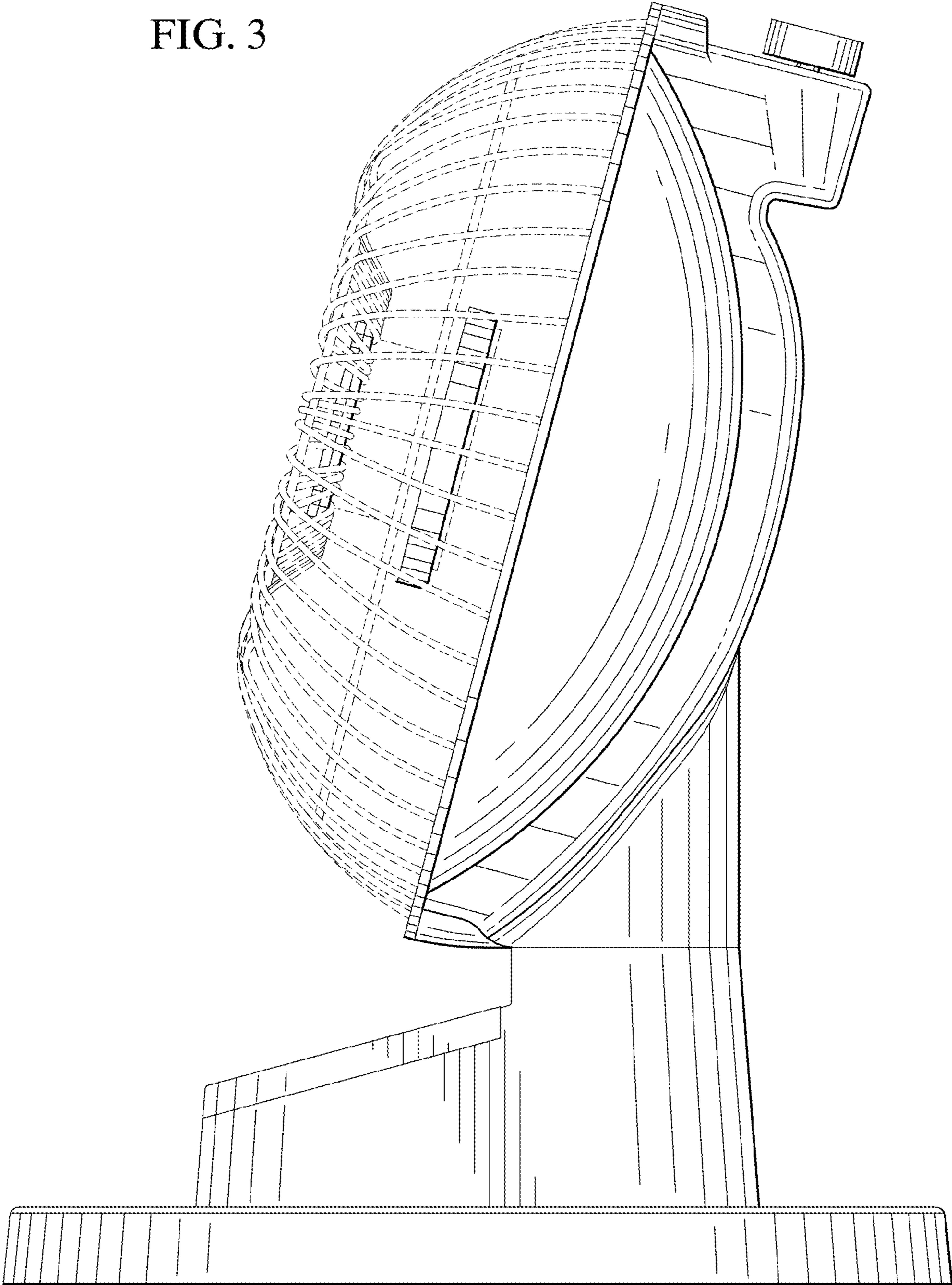


FIG. 4

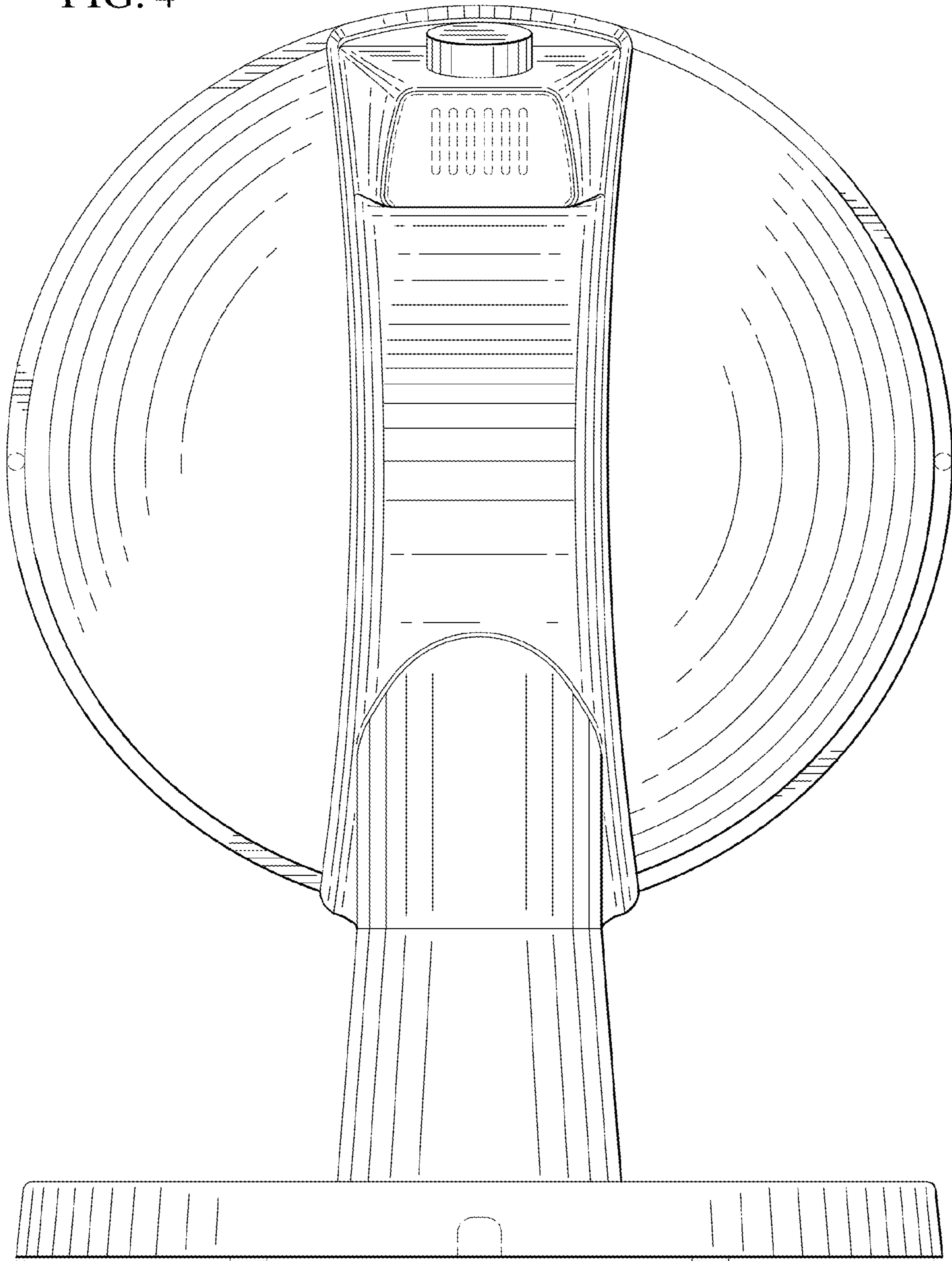


FIG. 5

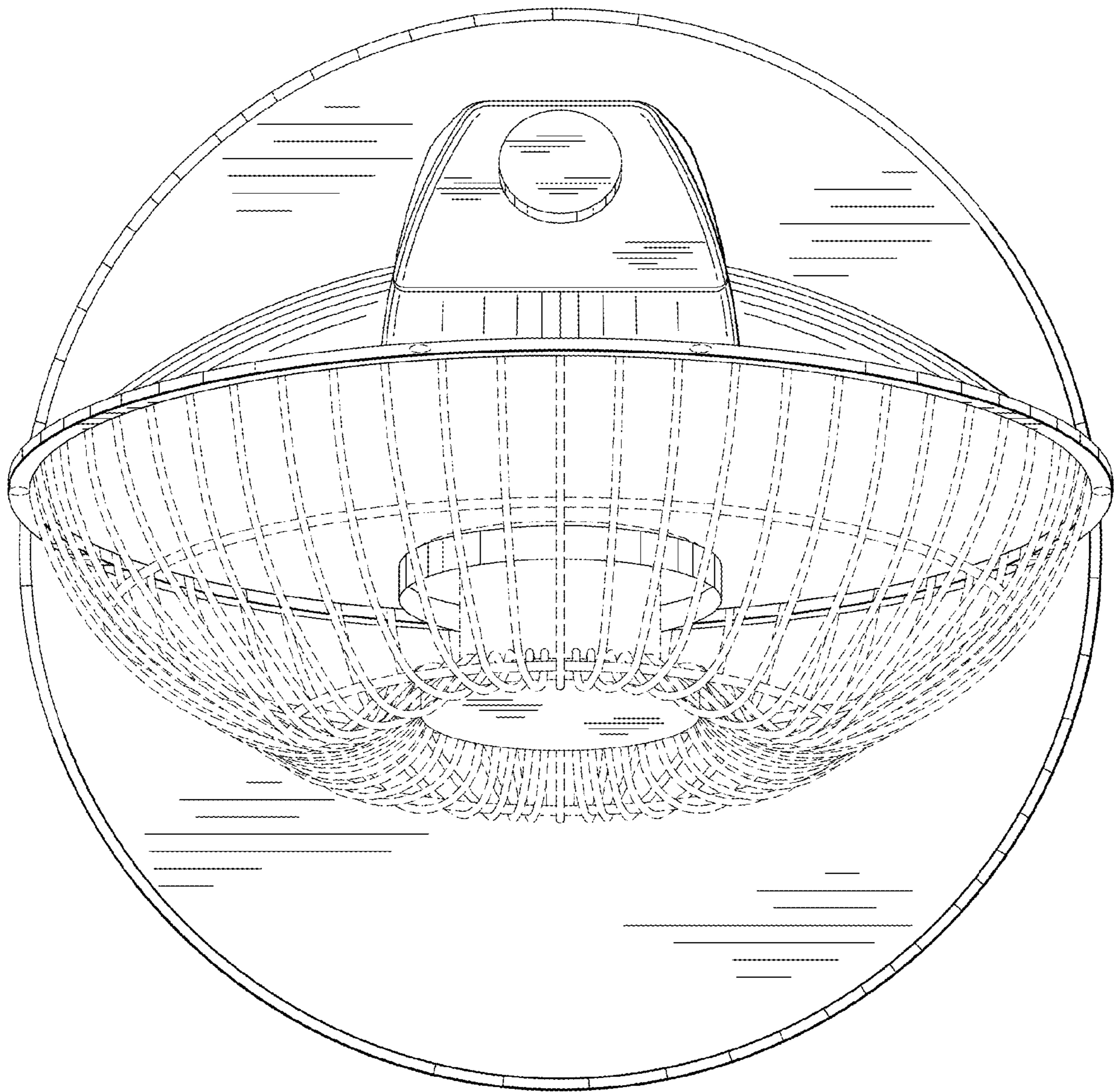


FIG. 6

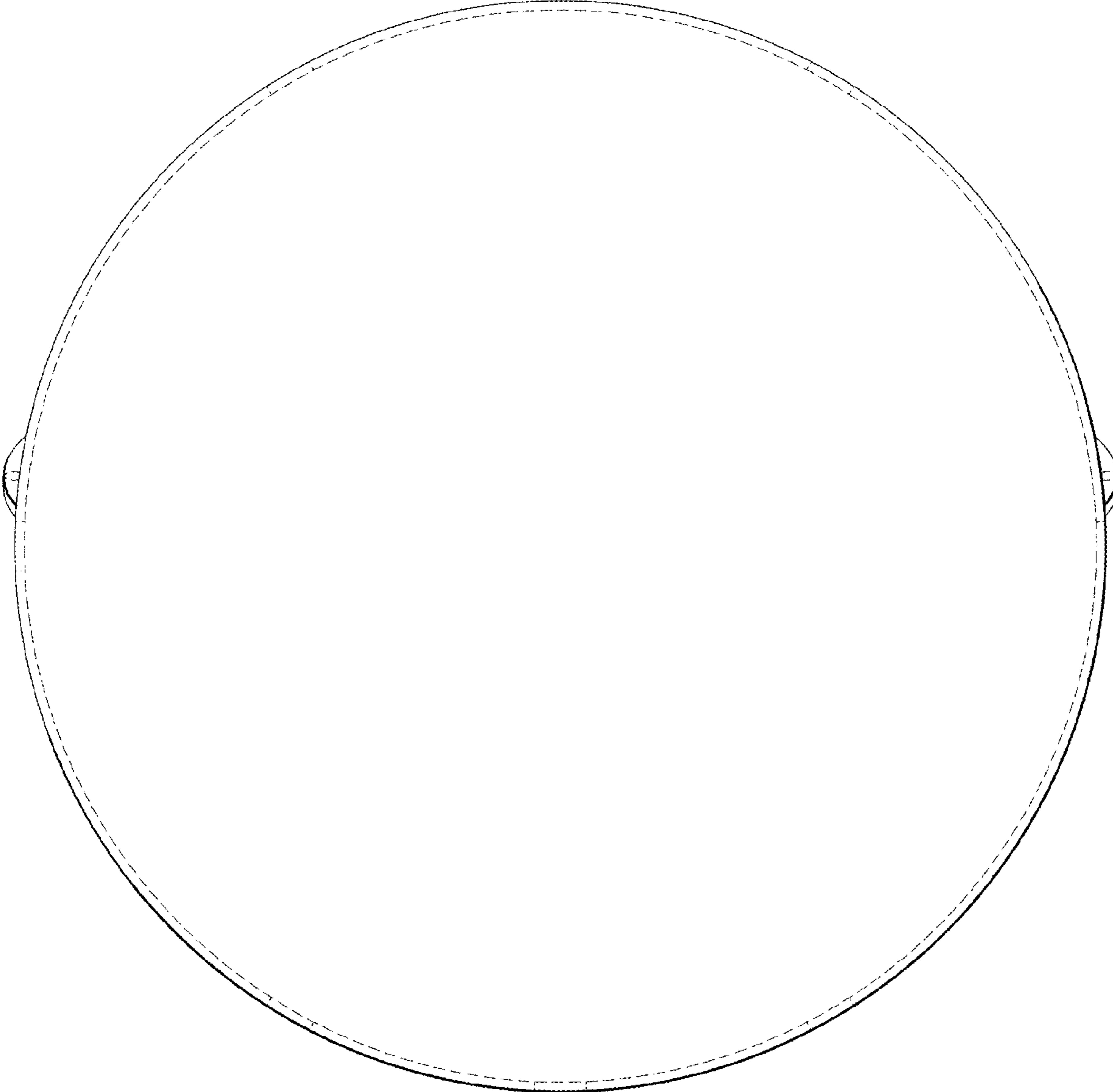


FIG. 7

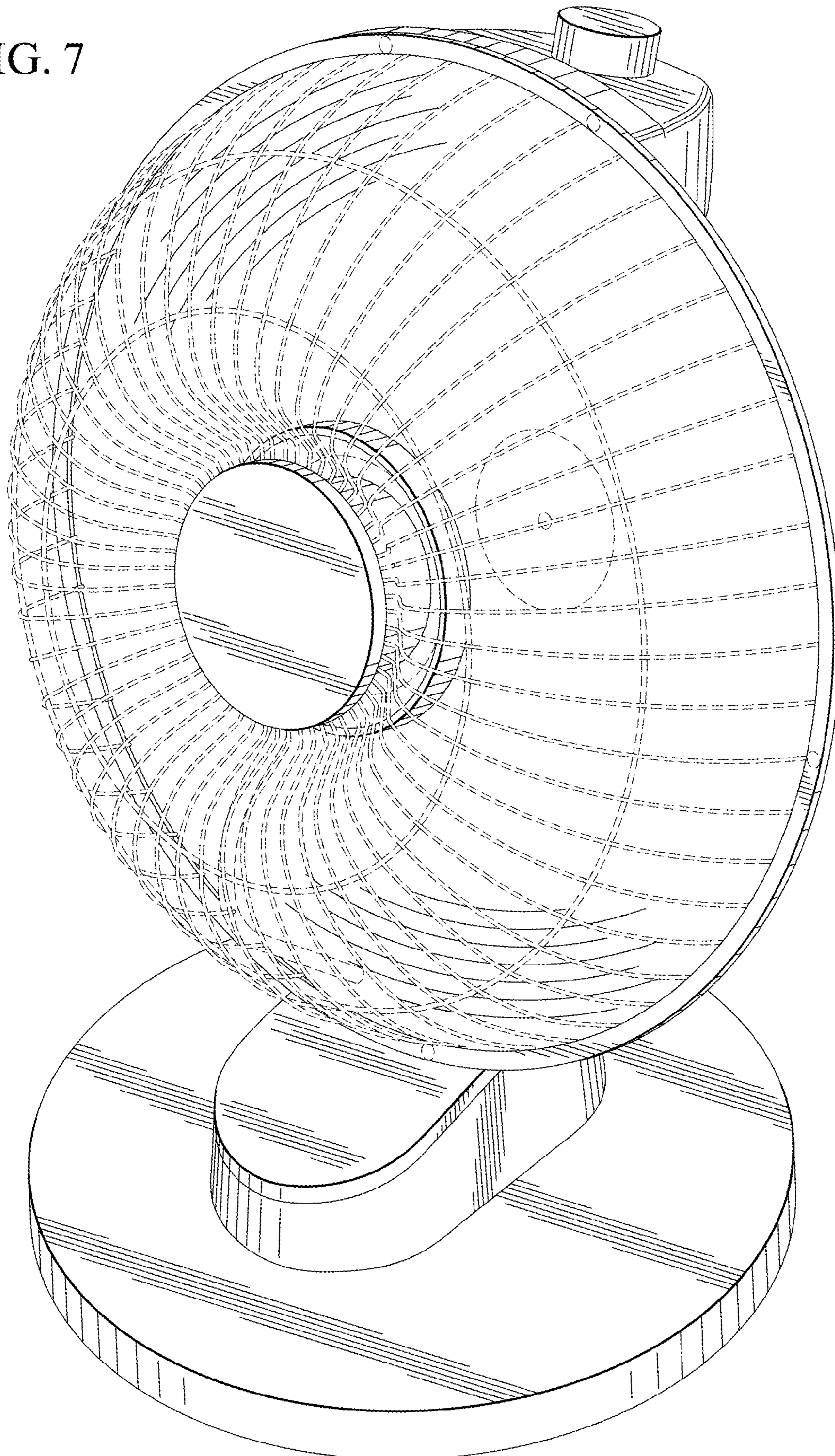


FIG. 8

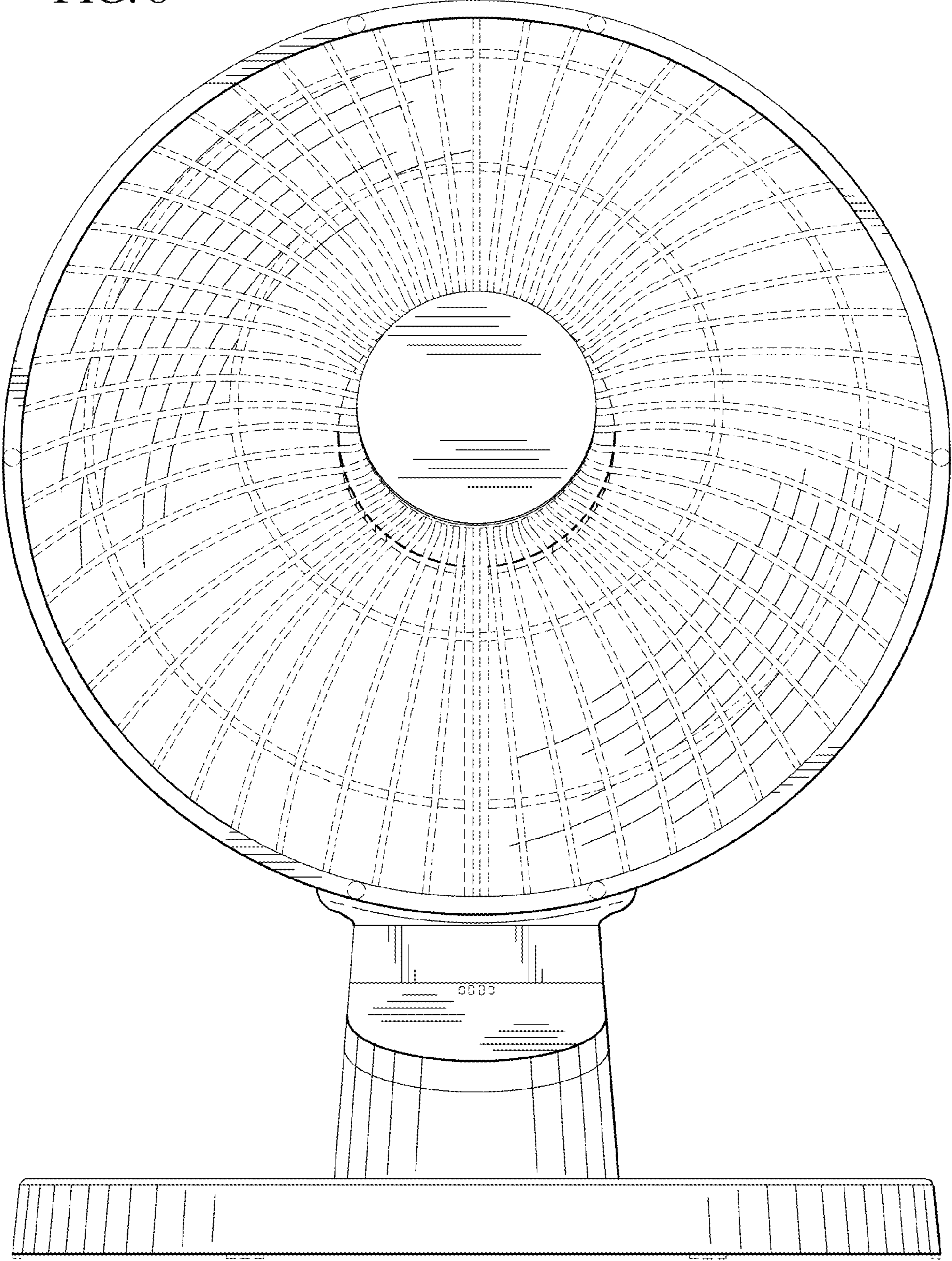


FIG. 9

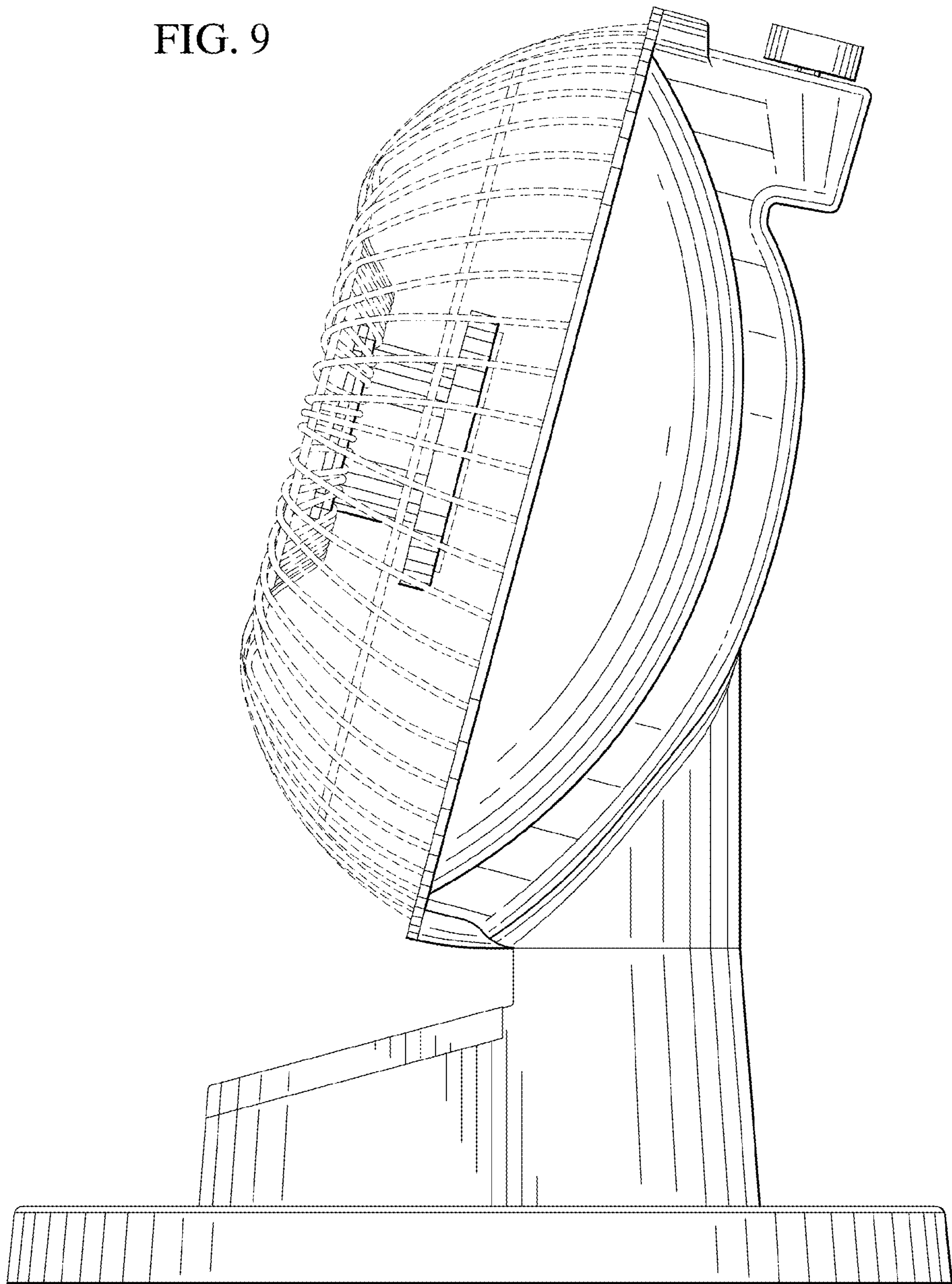


FIG. 10

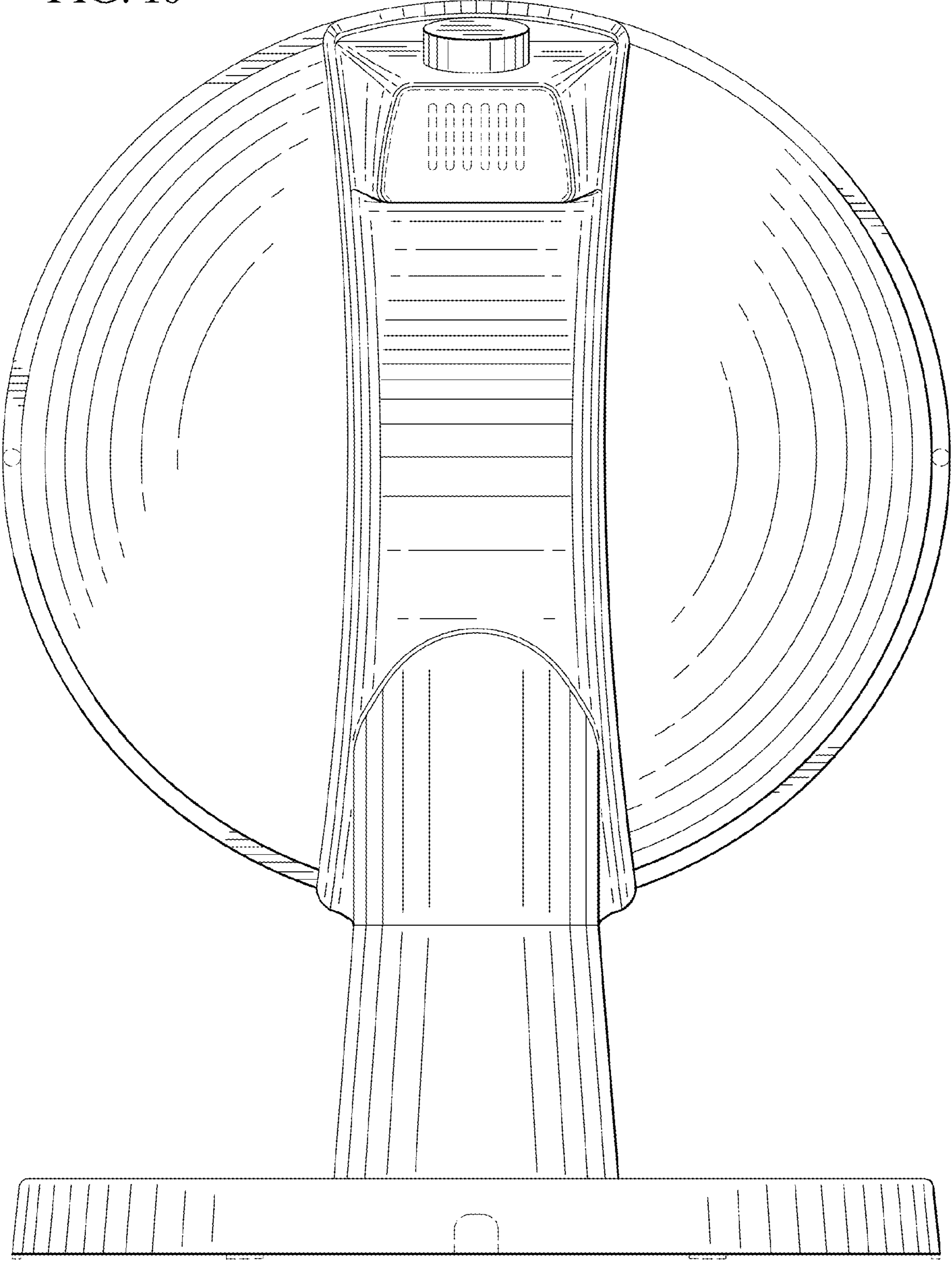


FIG. 11

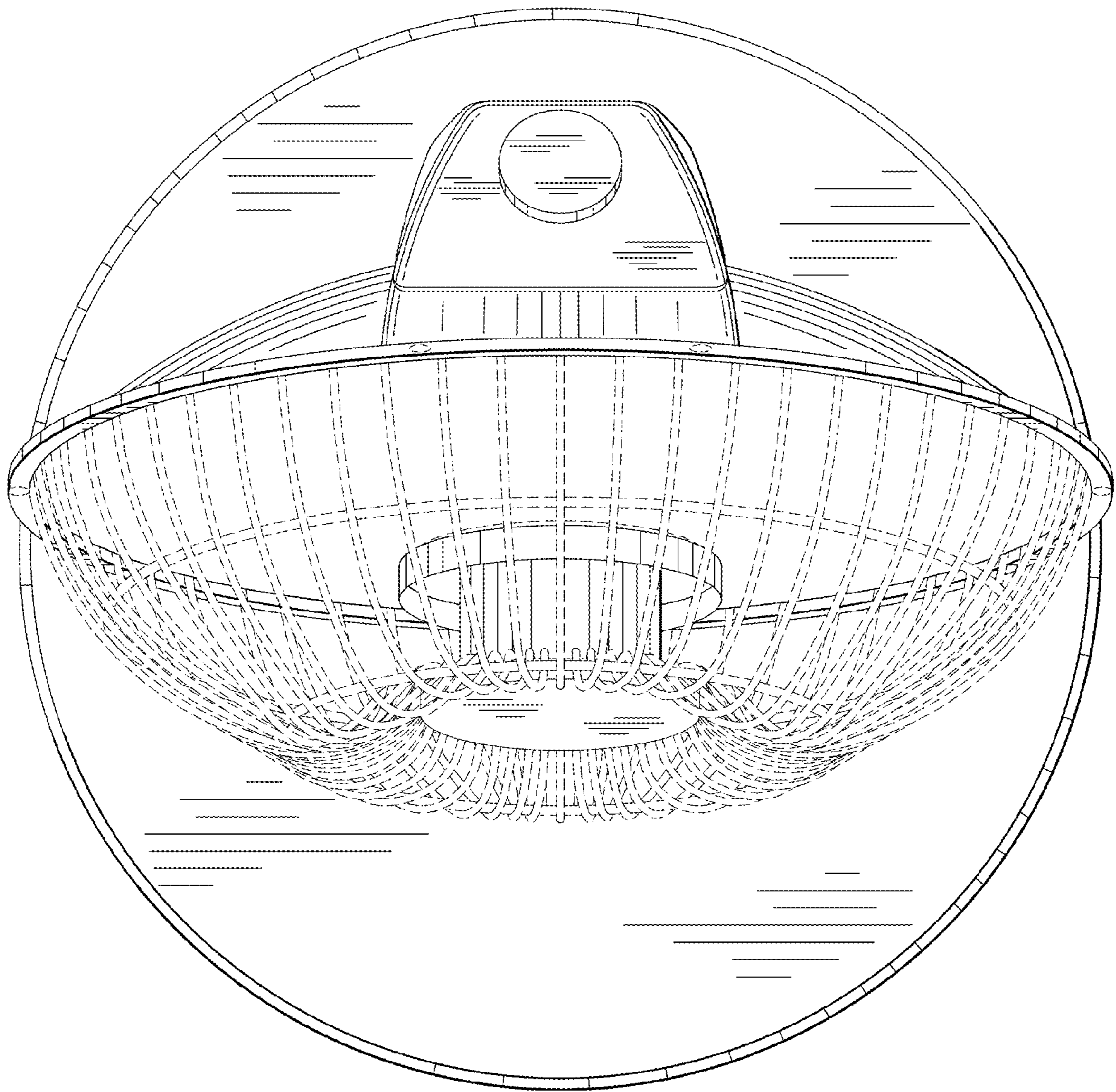


FIG. 12

