



US00D909549S

(12) **United States Design Patent** (10) **Patent No.:** **US D909,549 S**  
**Wu** (45) **Date of Patent:** **\*\* Feb. 2, 2021**

(54) **COMBUSTION BURNER**  
(71) Applicant: **Pro-Iroda Industries, Inc.**, Taichung (TW)  
(72) Inventor: **Wei Cheng Wu**, Taichung (TW)  
(73) Assignee: **Pro-Iroda Industries, Inc.**, Taichung (TW)  
(\*\*) Term: **15 Years**  
(21) Appl. No.: **29/693,737**  
(22) Filed: **Jun. 5, 2019**  
(51) **LOC (13) Cl.** ..... **23-03**  
(52) **U.S. Cl.**  
USPC ..... **D23/336**  
(58) **Field of Classification Search**  
USPC ..... D7/416; D8/29, 29.1, 29.2, 30, 68, 107;  
D15/144, 144.1, 144.2; D27/139, 154,  
D27/157; D23/200, 314, 319, 335, 336;  
D24/107, 206, 216, 219, 222  
CPC ... F23C 7/004; F23L 1/02; F23D 2900/05001  
See application file for complete search history.

9,360,208 B2 \* 6/2016 Chen ..... F23C 7/002  
9,377,187 B2 \* 6/2016 Chen ..... F23C 7/002  
9,557,051 B2 \* 1/2017 Chen ..... F23C 7/002  
D852,375 S \* 6/2019 Druga, Sr. .... D24/224  
10,571,118 B2 \* 2/2020 Chen ..... F23C 7/004  
10,648,660 B2 \* 5/2020 Chen ..... F23D 3/20

**OTHER PUBLICATIONS**

Cycloflame Demi, posted on pro-irida.com.tw, no posted date given, no production date given, [online], [site visited May 20, 2020], available on internet, URL: <https://www.pro-iroda.com.tw/index.php/product/single/83> (Year: 2020).\*

\* cited by examiner

*Primary Examiner* — Michael C Stout  
*Assistant Examiner* — Fritzgerald L Butac  
(74) *Attorney, Agent, or Firm* — Alan D. Kamrath; Karin L. Williams; Mayer & Williams PC

(57) **CLAIM**

The ornamental design for a combustion burner, as shown and described.

**DESCRIPTION**

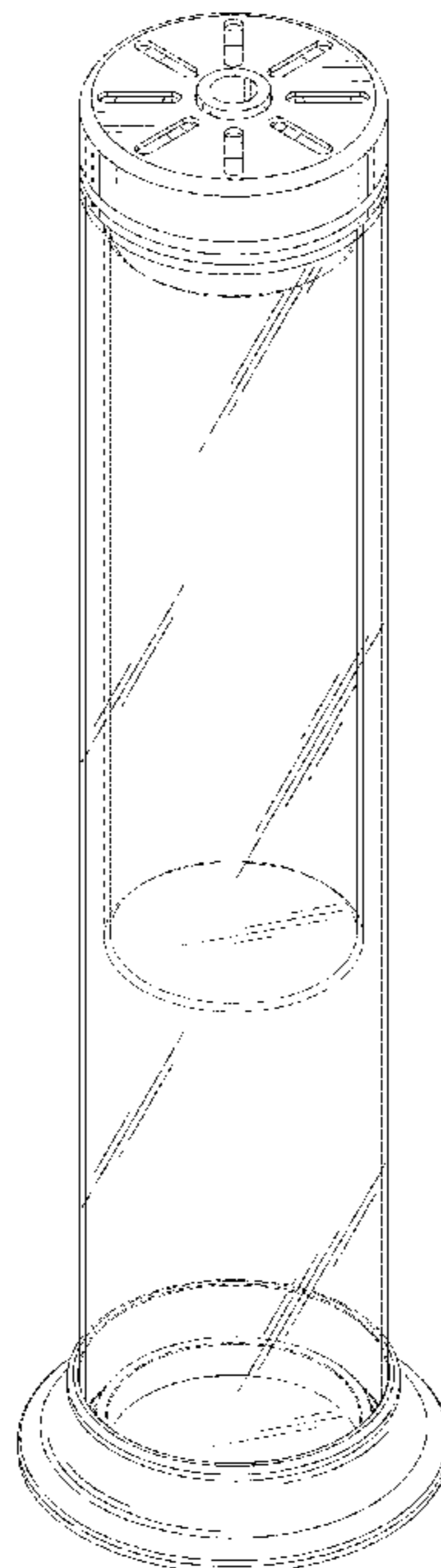
FIG. 1 is a perspective view of a combustion burner showing my new design;  
FIG. 2 is a front view thereof;  
FIG. 3 is a rear view thereof;  
FIG. 4 is a left view thereof;  
FIG. 5 is a right view thereof;  
FIG. 6 is a top view thereof; and,  
FIG. 7 is a bottom view thereof.  
The broken lines of FIGS. 2-5 and 7 illustrate portions of the combustion burner which form no part of the claimed design.

(56) **References Cited**

**U.S. PATENT DOCUMENTS**

D84,730 S \* 7/1931 Belt ..... D27/152  
D446,865 S \* 8/2001 Conway ..... D24/216  
D447,812 S \* 9/2001 Conway ..... D24/216  
D448,085 S \* 9/2001 Conway ..... D24/216  
D448,086 S \* 9/2001 Conway ..... D24/216  
D520,643 S \* 5/2006 Clarke ..... D24/216  
D627,081 S \* 11/2010 Giraud ..... D24/216  
8,641,413 B2 \* 2/2014 Chen ..... F23D 5/04  
431/288  
9,163,831 B2 \* 10/2015 Chen ..... F23D 14/06

**1 Claim, 7 Drawing Sheets**



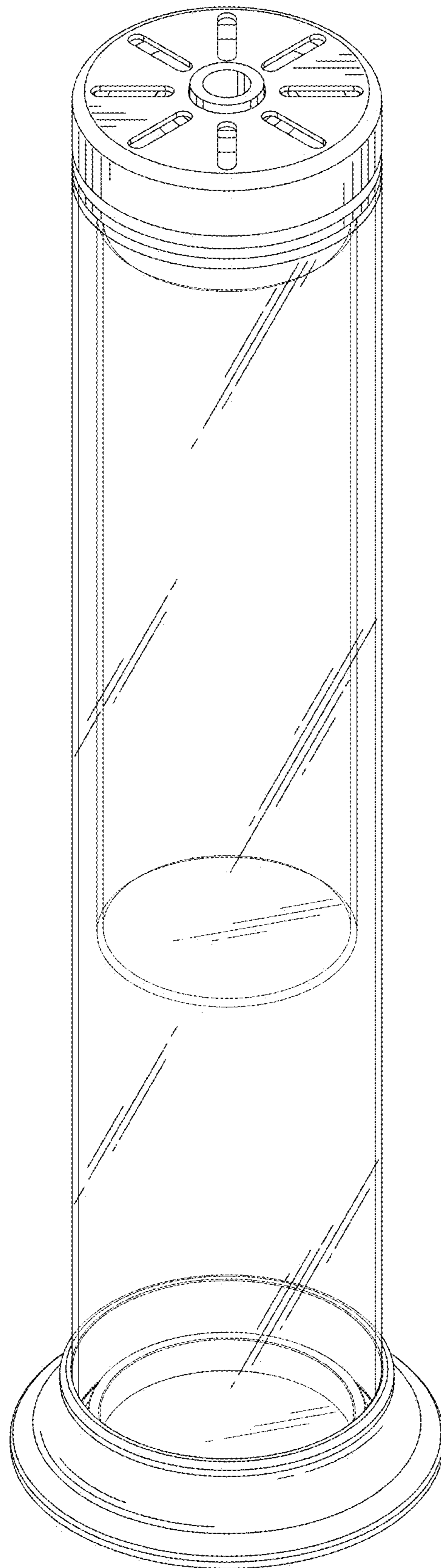


FIG. 1

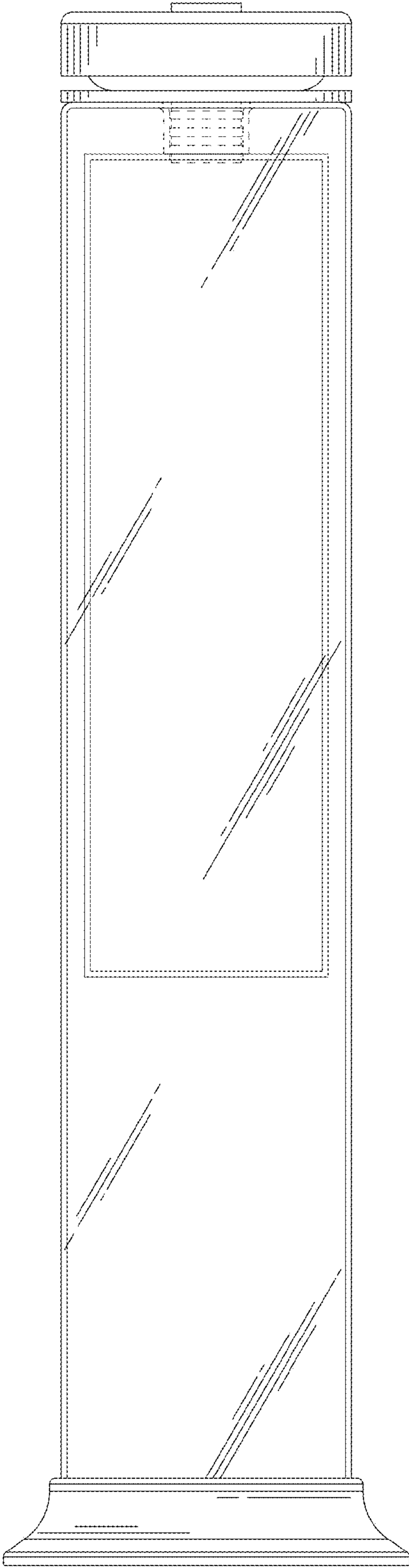


FIG. 2

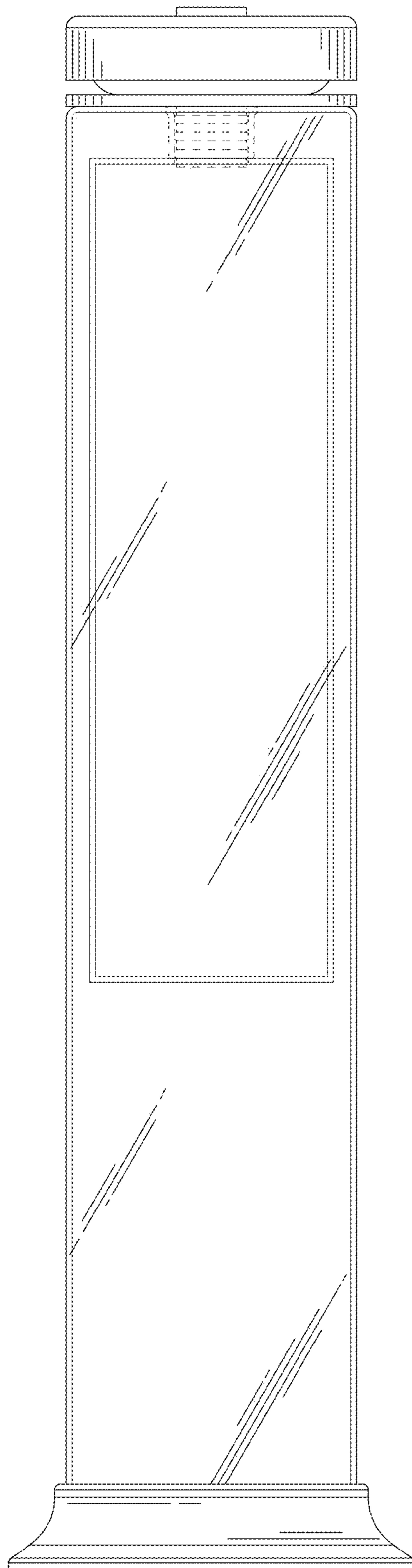


FIG. 3

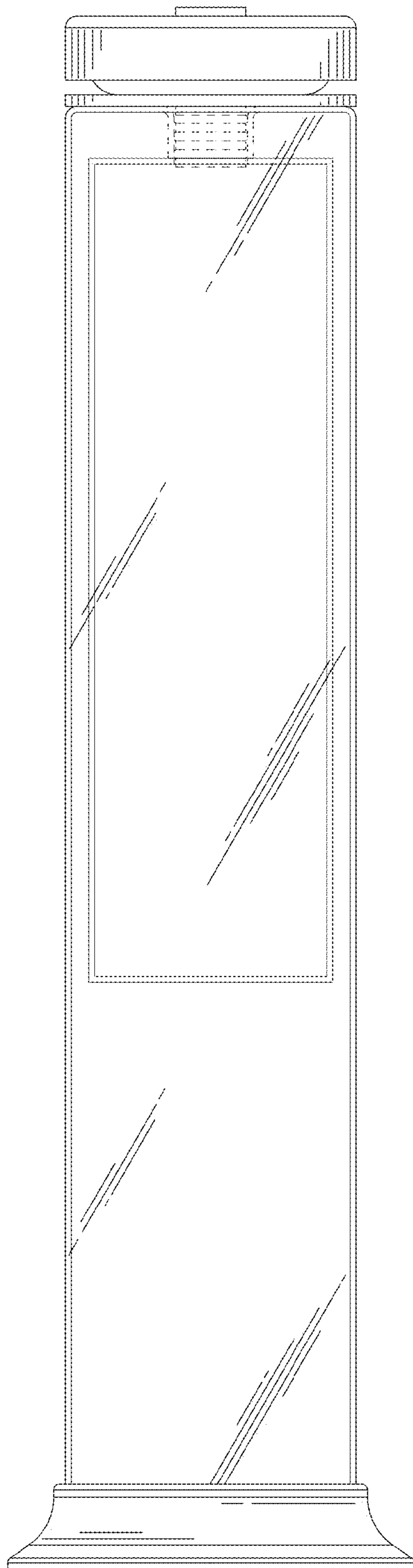


FIG. 4

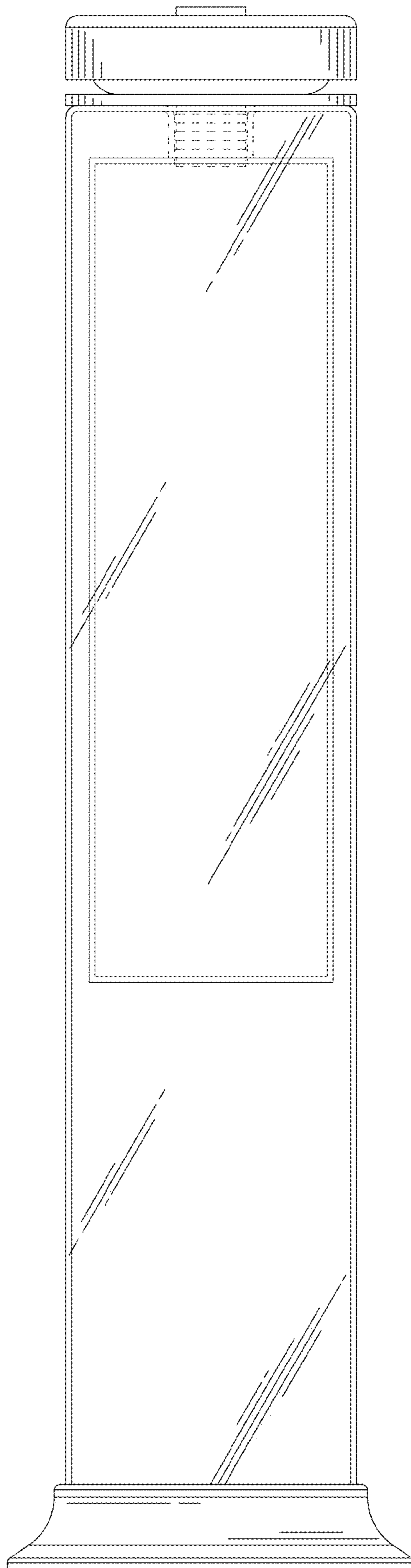


FIG. 5



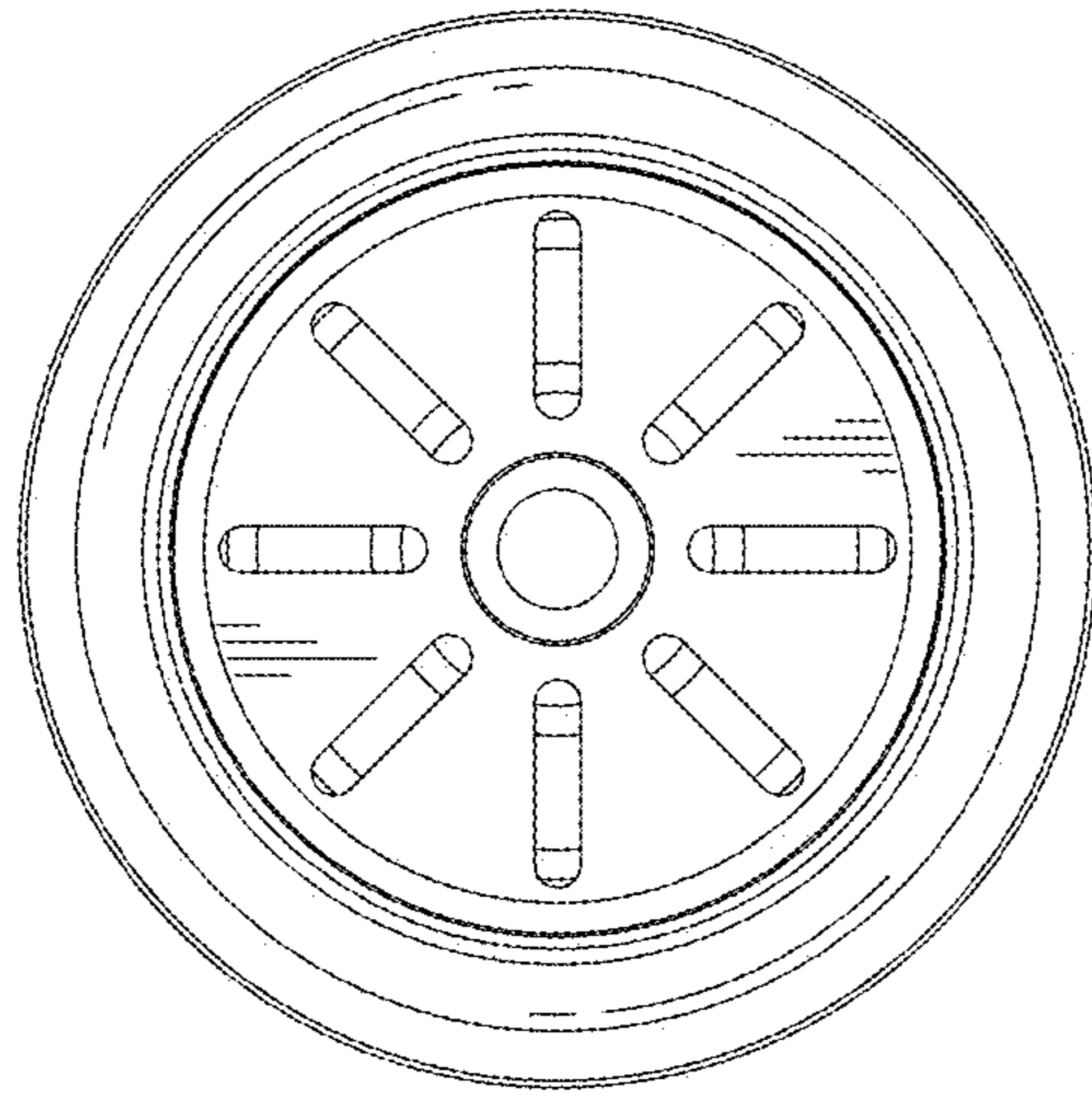


FIG. 6

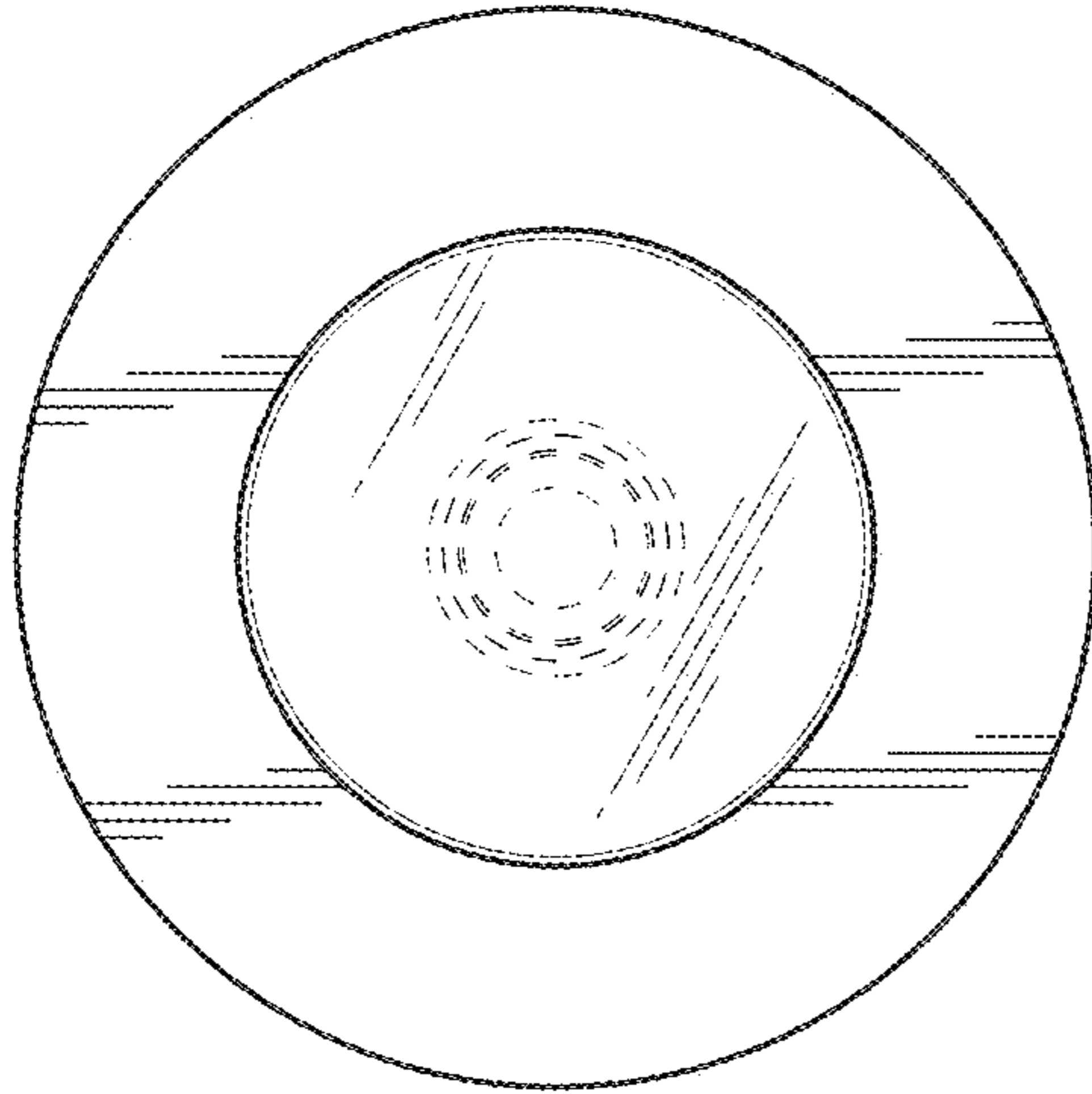


FIG. 7