



US00D909546S

(12) **United States Design Patent** (10) **Patent No.:** **US D909,546 S**
Breyer (45) **Date of Patent:** **** *Feb. 2, 2021**

(54) **FASCIA-MOUNTED GUTTER DEBRIS BARRIER SYSTEM**

2,674,961 A 10/1950 Lake
3,426,909 A 2/1969 Garner
3,436,878 A 4/1969 Singer
3,691,343 A 9/1972 Norman
4,308,696 A 1/1982 Schroeder
4,435,466 A 3/1984 Kuhel et al.
4,646,488 A 3/1987 Burns

(71) Applicant: **All Weather Armour, LLC**, Sullivan, WI (US)

(72) Inventor: **Scott Breyer**, Jefferson, WI (US)

(73) Assignee: **All Weather Armour, LLC**, Sullivan, WI (US)

(*) Notice: This patent is subject to a terminal disclaimer.

(**) Term: **15 Years**

(21) Appl. No.: **29/695,560**

(22) Filed: **Jun. 20, 2019**

Related U.S. Application Data

(63) Continuation of application No. 16/263,754, filed on Jan. 31, 2019.

(51) **LOC (13) Cl.** **23-01**

(52) **U.S. Cl.**

USPC **D23/267**

(58) **Field of Classification Search**

USPC D23/209, 259–261, 267–268, 365;
D25/102, 119–126, 128, 133, 139,
D25/141–142, 164; 52/11–16, 60, 97–98;
D8/377, 381

CPC E04C 3/00; E04C 2/38; E04C 3/18
See application file for complete search history.

(56) **References Cited**

U.S. PATENT DOCUMENTS

X546042 9/1895 Van Horn
X672701 4/1901 Daniel
1,732,058 A 7/1928 Martini
2,229,381 A 2/1940 Grow
2,288,121 A 8/1940 Cisar et al.
2,583,422 A 6/1948 Haddon

FOREIGN PATENT DOCUMENTS

JP 2000008559 1/2000
WO 9953157 10/1999

OTHER PUBLICATIONS

Design U.S. Appl. No. 29/695,565, filed Jun. 20, 2019 (8 pages).
“Klynch Channel”; Facebook page; Dec. 13, 2010; 5 screenshots;
Lynch Aluminum Mfg. Co.

Primary Examiner — Amy C Wierenga

(74) *Attorney, Agent, or Firm* — Boyle Fredrickson S.C.

(57) **CLAIM**

The ornamental design for a fascia-mounted gutter debris barrier system, as shown and described.

DESCRIPTION

FIG. 1 is a top, front, right isometric view of a fascia-mounted gutter debris barrier system showing my new design;

FIG. 2 is a right elevation thereof;

FIG. 3 is a left elevation thereof;

FIG. 4 is a rear elevation view thereof;

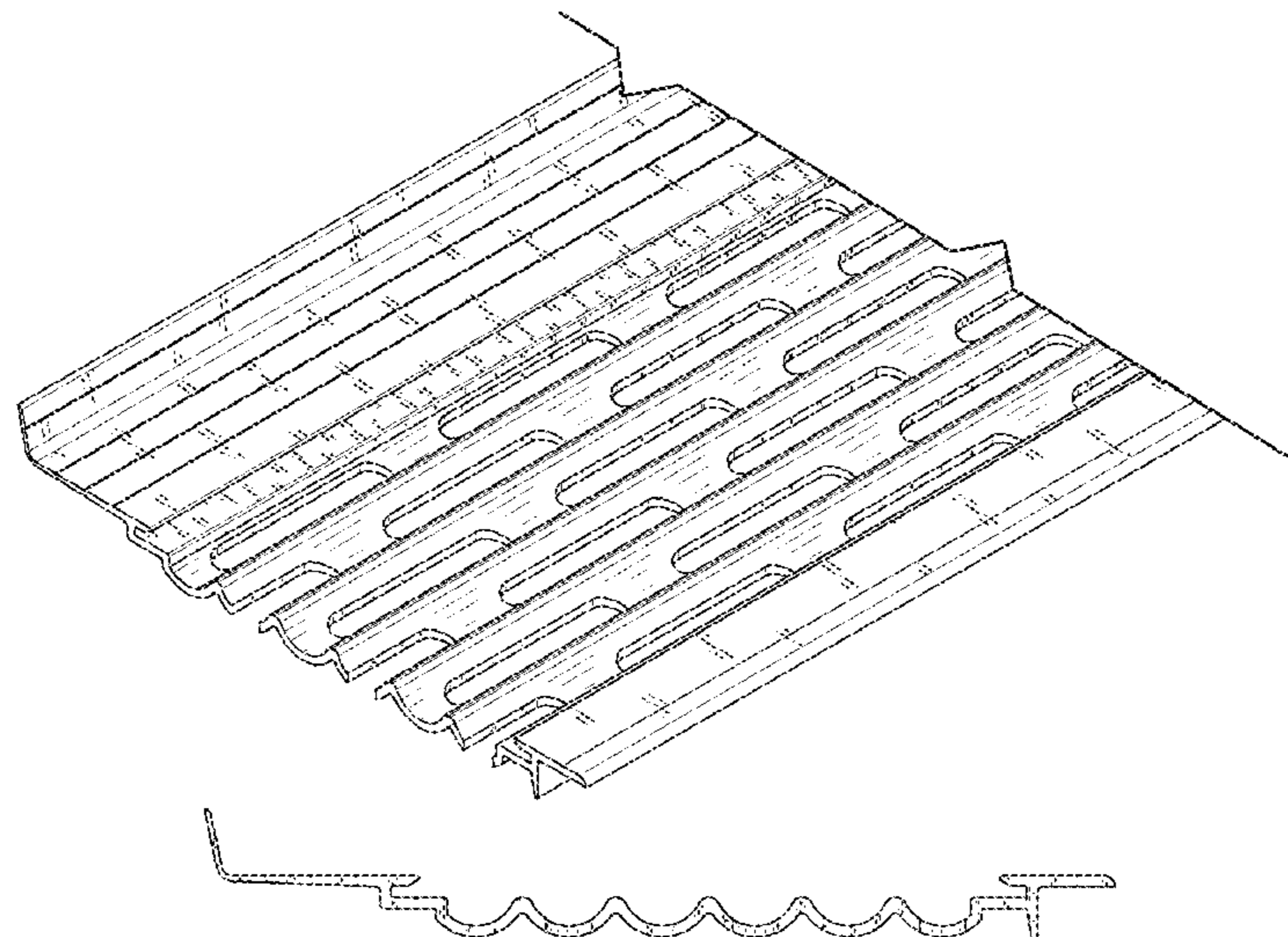
FIG. 5 is a front elevation view thereof;

FIG. 6 is a top plan view thereof; and,

FIG. 7 is a bottom plan view thereof.

The fascia-mounted gutter debris barrier system is shown with a symbolic break to its length. The appearance of any portion of the article beyond the break line forms no part of the claimed design.

1 Claim, 5 Drawing Sheets



(56)

References Cited

U.S. PATENT DOCUMENTS

4,745,710 A	5/1988	Davis	D722,682 S *	2/2015	Fox	D23/267
4,755,229 A	7/1988	Armanini	9,021,747 B2	5/2015	Lenney et al.	
4,769,526 A	9/1988	Taouil	9,487,955 B2 *	11/2016	Breyer	E04D 13/076
4,827,686 A	5/1989	Stamper et al.	D781,403 S *	3/2017	Jordan	D23/267
4,937,986 A	7/1990	Way, Sr. et al.	9,650,788 B1	5/2017	Ealer, Sr.	
4,949,514 A	8/1990	Weller	9,890,535 B2	2/2018	Breyer et al.	
4,959,932 A	10/1990	Pfeifer	9,909,319 B1 *	3/2018	Voress	E04D 13/076
5,010,696 A	4/1991	Knittel	D822,801 S *	7/2018	Karabacak	D23/267
5,044,581 A	9/1991	Dressler	D822,802 S *	7/2018	Karabacak	D23/267
5,107,635 A	4/1992	Carpenter	2003/0046876 A1	3/2003	Higginbotham	
5,127,200 A	7/1992	Doran	2003/0198736 A1	10/2003	Fensel et al.	
5,261,195 A	11/1993	Buckenmaier et al.	2005/0072114 A1	4/2005	Shiao et al.	
5,315,090 A	5/1994	Lowenthal	2005/0257432 A1 *	11/2005	Higginbotham	E04D 13/076 52/12
5,391,858 A	2/1995	Tourangeau et al.	2005/0257433 A1	11/2005	Dussault et al.	
5,398,464 A	3/1995	Jacobs	2005/0279036 A1	12/2005	Brochu	
5,406,754 A	4/1995	Cosby	2006/0037252 A1	2/2006	Gosse et al.	
5,459,965 A	10/1995	Meckstroth	2006/0101722 A1	5/2006	Ealer, Sr.	
5,558,705 A	9/1996	Keemer et al.	2006/0117670 A1	6/2006	Tsioris	
5,617,678 A	4/1997	Morandin et al.	2006/0123710 A1 *	6/2006	Lenney	E04D 13/076 52/12
5,619,825 A	4/1997	Leroney et al.	2006/0179723 A1	8/2006	Robins	
5,640,809 A	6/1997	Iannelli	2006/0196124 A1	9/2006	Bachman	
5,729,931 A	3/1998	Wade	2006/0201068 A1	9/2006	Shane	
5,759,255 A	6/1998	Venturini et al.	2006/0213129 A1	9/2006	Bachman	
5,842,311 A	12/1998	Morin	2006/0277831 A1	12/2006	Bachman	
5,878,533 A	3/1999	Swanfeld, Jr.	2006/0283096 A1	12/2006	Bachman	
6,016,631 A	1/2000	Lowrie, III	2006/0283097 A1	12/2006	Gregg	
6,134,843 A	10/2000	Tregear	2007/0012845 A1	1/2007	Iannelli	
6,194,049 B1	2/2001	Bindschedler-Galli et al.	2007/0054129 A1	3/2007	Kalkanoglu et al.	
6,194,519 B1	2/2001	Blalock et al.	2007/0065640 A1	3/2007	Joedicke	
6,205,715 B1	3/2001	Rex, Jr.	2007/0094939 A1	5/2007	Bachman	
6,209,826 B1	4/2001	Pratt, Jr.	2007/0107323 A1	5/2007	Higginbotham	
6,225,600 B1	5/2001	Burriss	2007/0199276 A1	8/2007	Duque	
6,598,352 B2	7/2003	Higginbotham	2007/0218251 A1	9/2007	Jacobs et al.	
6,607,781 B2	8/2003	Joedicke	2007/0220814 A1	9/2007	Faulks	
6,700,098 B1	3/2004	Wyatt et al.	2007/0234647 A1	10/2007	Higginbotham	
6,708,452 B1	3/2004	Tenute	2007/0246449 A1	10/2007	Bachman	
6,759,630 B1	7/2004	Tenute	2007/0246449 A1	10/2007	Bachman	
6,933,007 B2	8/2005	Fensel et al.	2008/0029654 A1	2/2008	Iannelli	
6,942,419 B2	9/2005	Knak et al.	2008/0134587 A1	6/2008	Ealer	
6,944,992 B2	9/2005	Brochu	2008/0163561 A1 *	7/2008	Lenney	E04D 13/076 52/12
6,951,077 B1	10/2005	Higginbotham	2008/0187708 A1	8/2008	Decker et al.	
6,959,512 B2	11/2005	Cobb	2008/0190039 A1	8/2008	Brochu	
6,968,651 B2	11/2005	Bergeron	2008/0248241 A1	10/2008	Kalkanoglu et al.	
7,104,012 B1	9/2006	Bayram	2008/0289263 A1	11/2008	Brochu	
7,174,688 B2	2/2007	Higginbotham	2009/0013612 A1	1/2009	Brochu	
7,191,564 B2 *	3/2007	Higginbotham	2009/0056234 A1	3/2009	Brochu	
			2009/0064628 A1	3/2009	Mellott, II et al.	
			2009/0300995 A1	12/2009	Nikolopoulos	
			2010/0042357 A1	2/2010	McCoy, Jr. et al.	
7,241,500 B2	7/2007	Shiao et al.	2010/0287846 A1 *	11/2010	Lenney	E04D 13/076 52/12
7,310,912 B2 *	12/2007	Lenney	2011/0067318 A1 *	3/2011	Lenney	E04D 13/076 52/12
7,340,863 B1	3/2008	Dressler	2011/0138698 A1	6/2011	Neumann	
7,448,167 B2	11/2008	Bachman	2011/0253611 A1	10/2011	Higginbotham	
7,624,541 B2	12/2009	Gentry	2012/0042579 A1	2/2012	McCoy	
7,726,076 B2	6/2010	Staub	2012/0144759 A1	6/2012	Higginbotham et al.	
7,765,742 B2	8/2010	Ealer, Sr.	2012/0222366 A1 *	9/2012	Steinberg	E04D 13/076 52/12
D623,279 S *	9/2010	Joly, Jr.	2012/0247032 A1	10/2012	Lowrie, III	
7,793,465 B2	9/2010	McCann	2012/0285115 A1	11/2012	Bell	
D635,225 S *	3/2011	Collins	2013/0097943 A1	4/2013	Higginbotham	
7,913,458 B2	3/2011	Higginbotham	2013/0160377 A1	6/2013	Sager	
7,975,435 B2 *	7/2011	Lenney	2013/0160378 A1	6/2013	Higginbotham	
			2013/0199108 A1	8/2013	Lowrie, III	
			2013/0248672 A1	9/2013	Martin	
8,033,058 B2	10/2011	Block	2014/0013702 A1	1/2014	Pearce et al.	
RE42,896 E	11/2011	Higginbotham	2014/0263001 A1	9/2014	Higginbotham	
8,079,183 B2 *	12/2011	Lenney	2015/0020462 A1	1/2015	Iannelli	
			2016/0068070 A1	3/2016	Huang et al.	
			2016/0102459 A1 *	4/2016	Breyer	E04D 13/076 52/12
8,397,436 B2 *	3/2013	Higginbotham	2016/0201329 A1	7/2016	Ianelli	
			2017/0044771 A1 *	2/2017	Breyer	E04D 13/076
8,438,787 B2	5/2013	Lenney				
D683,827 S *	6/2013	Ealer, Sr.				
8,479,454 B2 *	7/2013	Lenney				
8,572,899 B1	11/2013	Pearce et al.				
8,756,868 B2 *	6/2014	McCoy				

* cited by examiner

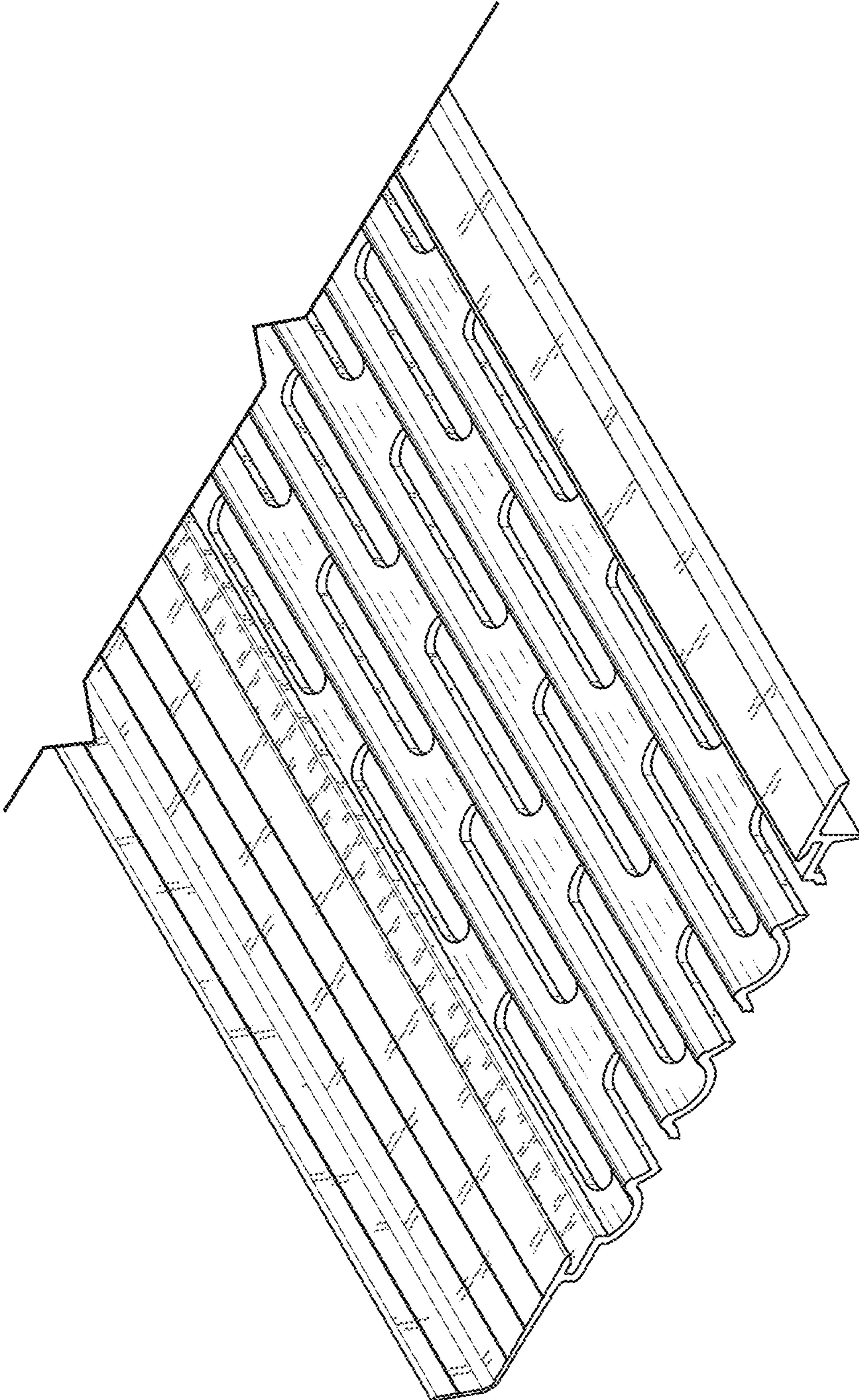


FIG. 1



FIG. 2

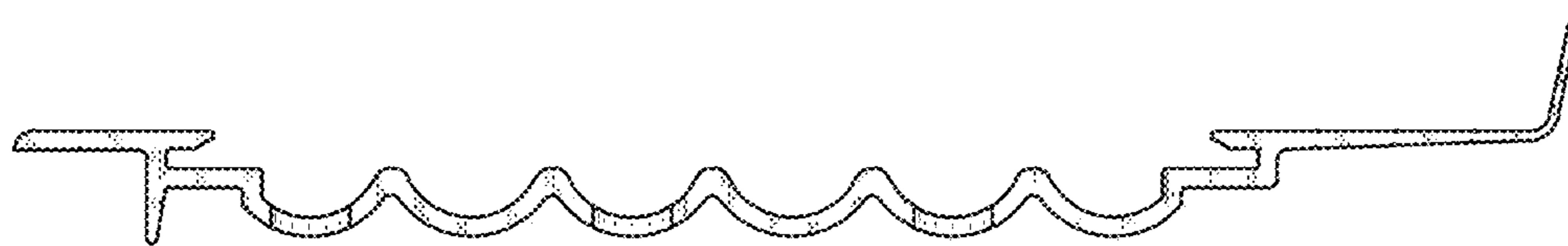


FIG. 3

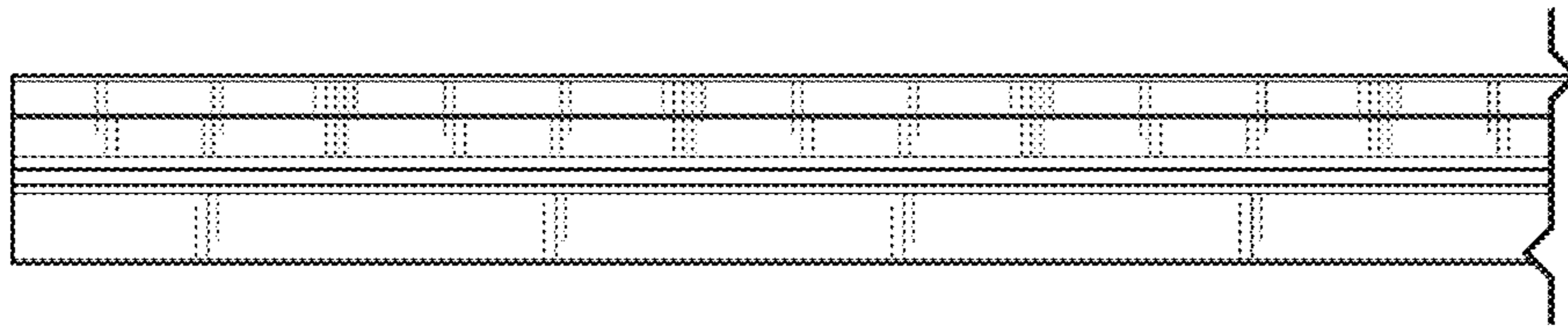


FIG. 4

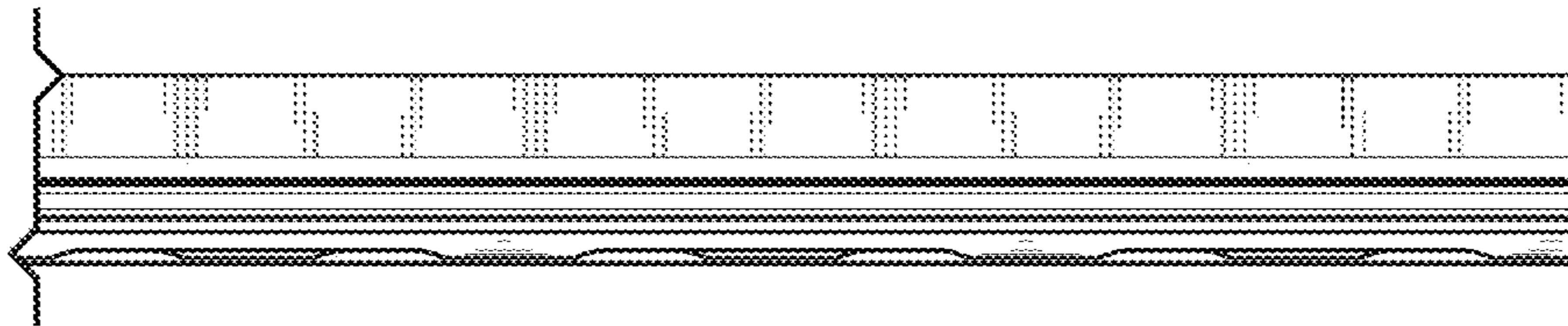


FIG. 5

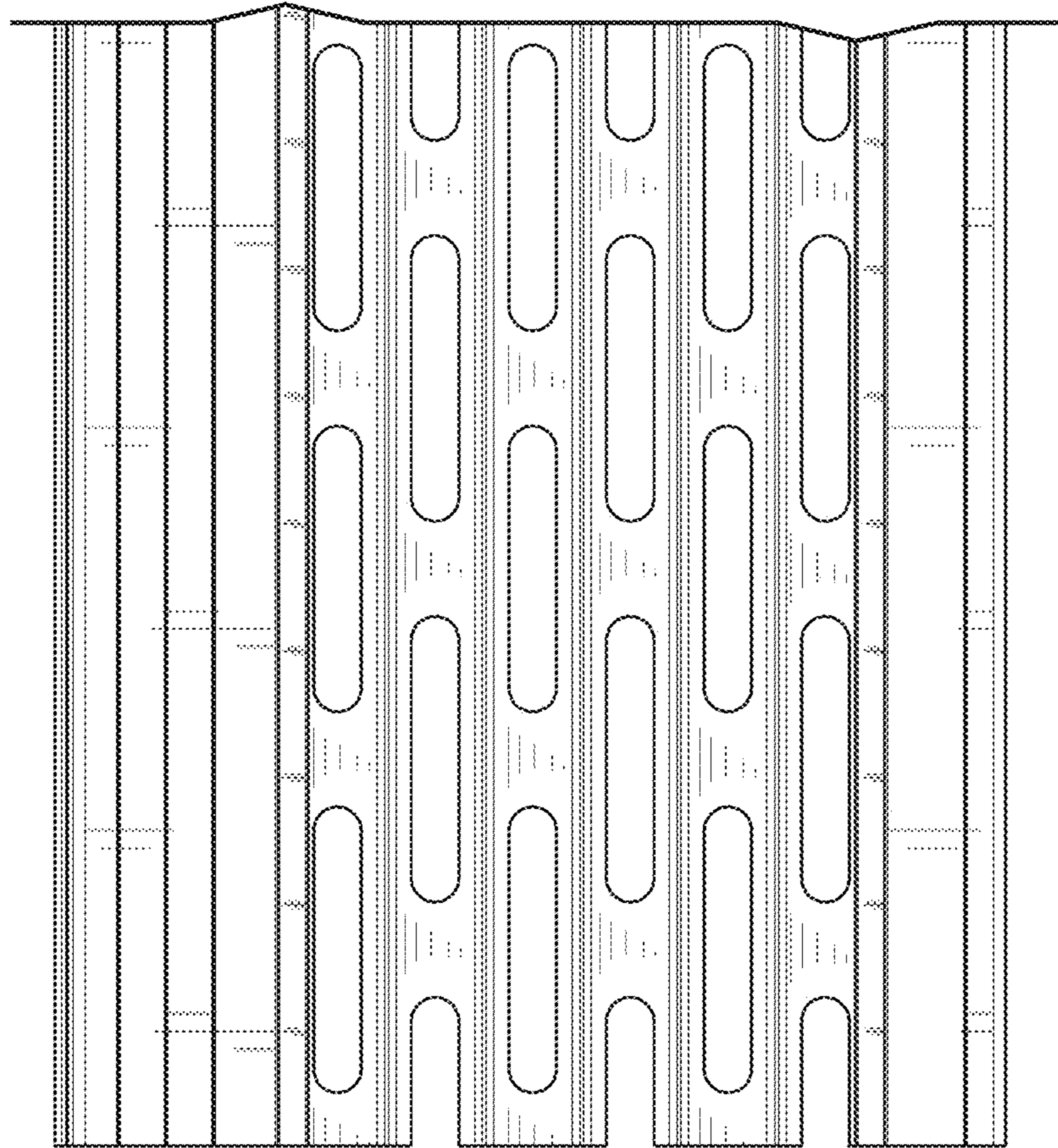


FIG. 6

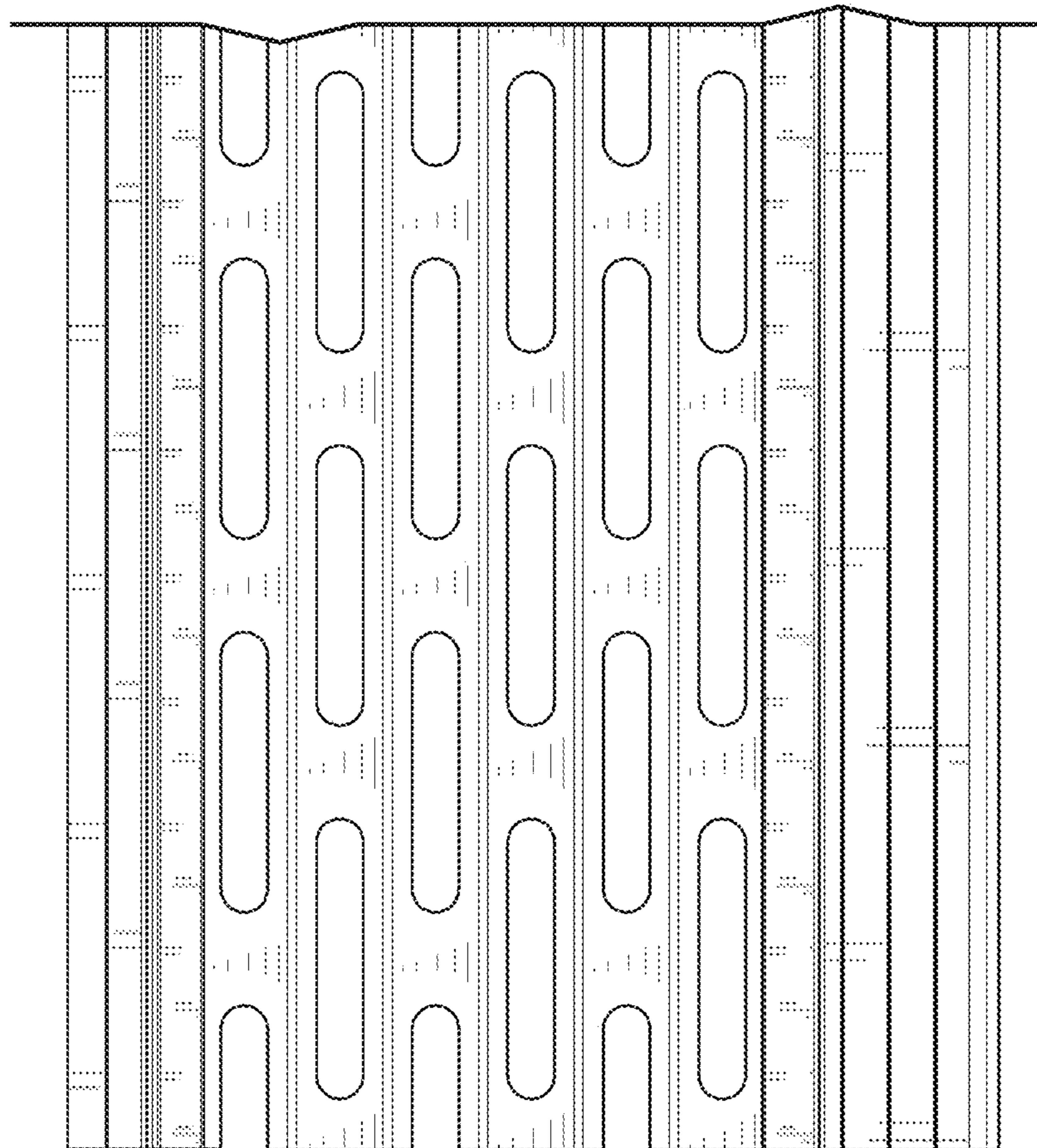


FIG. 7