



US00D909545S

(12) **United States Design Patent**
Westcott-Pocock

(10) **Patent No.:** **US D909,545 S**
(45) **Date of Patent:** **** *Feb. 2, 2021**

(54) **ADAPTER**

(71) Applicant: **Westcott Distribution Inc.**, Milford, CT (US)

(72) Inventor: **Nancy Westcott-Pocock**, Milford, CT (US)

(73) Assignee: **WESTCOTT DISTRIBUTION INC.**, Milford, CT (US)

(*) Notice: This patent is subject to a terminal disclaimer.

(**) Term: **15 Years**

(21) Appl. No.: **29/745,659**

(22) Filed: **Aug. 7, 2020**

(51) **LOC (13) Cl.** **23-01**

(52) **U.S. Cl.**
USPC **D23/262**; D9/436

(58) **Field of Classification Search**

USPC D23/207-209, 233-237, 249, 259.2, D23/262-266, 268, 269; D9/417, 424, D9/428, 434, 435, 439, 440, 444, 445, D9/447, 448, 454, 500, 502-504, 516, D9/519, 529, 549, 558, 715; D24/129; D8/397, 399; D13/133, 154; D32/32, D32/33; D3/203.3

CPC ... F16K 31/002; F16K 11/07; B65D 47/2018; B65D 47/2031; B65D 47/32; B65D 2501/00; B65D 2501/0009; B65D 81/3211; B65D 23/00; B65D 1/00; B65D 1/10; B65D 25/082; B65D 85/804; B67D 3/0019; A47J 31/407; F16L 17/10; F16L 25/01; F16L 11/00

See application file for complete search history.

(56) **References Cited**

U.S. PATENT DOCUMENTS

3,766,935 A * 10/1973 Clippard, III F16K 27/041 137/269
D242,709 S 12/1976 Schourup

5,303,964 A 4/1994 Yi
D360,265 S 7/1995 Thomas
D389,761 S 1/1998 Thomas
5,772,262 A 6/1998 Dupont
D398,955 S 9/1998 Shimizu
D484,411 S 12/2003 Haruch
D502,925 S * 3/2005 Chung D13/154
D648,008 S 11/2011 Percoco
D711,516 S 8/2014 Guest
D729,898 S 5/2015 Mandjoubi Namin

(Continued)

OTHER PUBLICATIONS

Goat Throat Pump: Announced Aug. 3, 2020 [online]. Site Visited [Sep. 27, 2020. Available from Internet URL: <https://www.goatthroat.com/our-products/53mm-adapter/>.*

(Continued)

Primary Examiner — Catherine S Posthauer

(74) *Attorney, Agent, or Firm* — Ware, Fressola, Maguire & Barber LLP

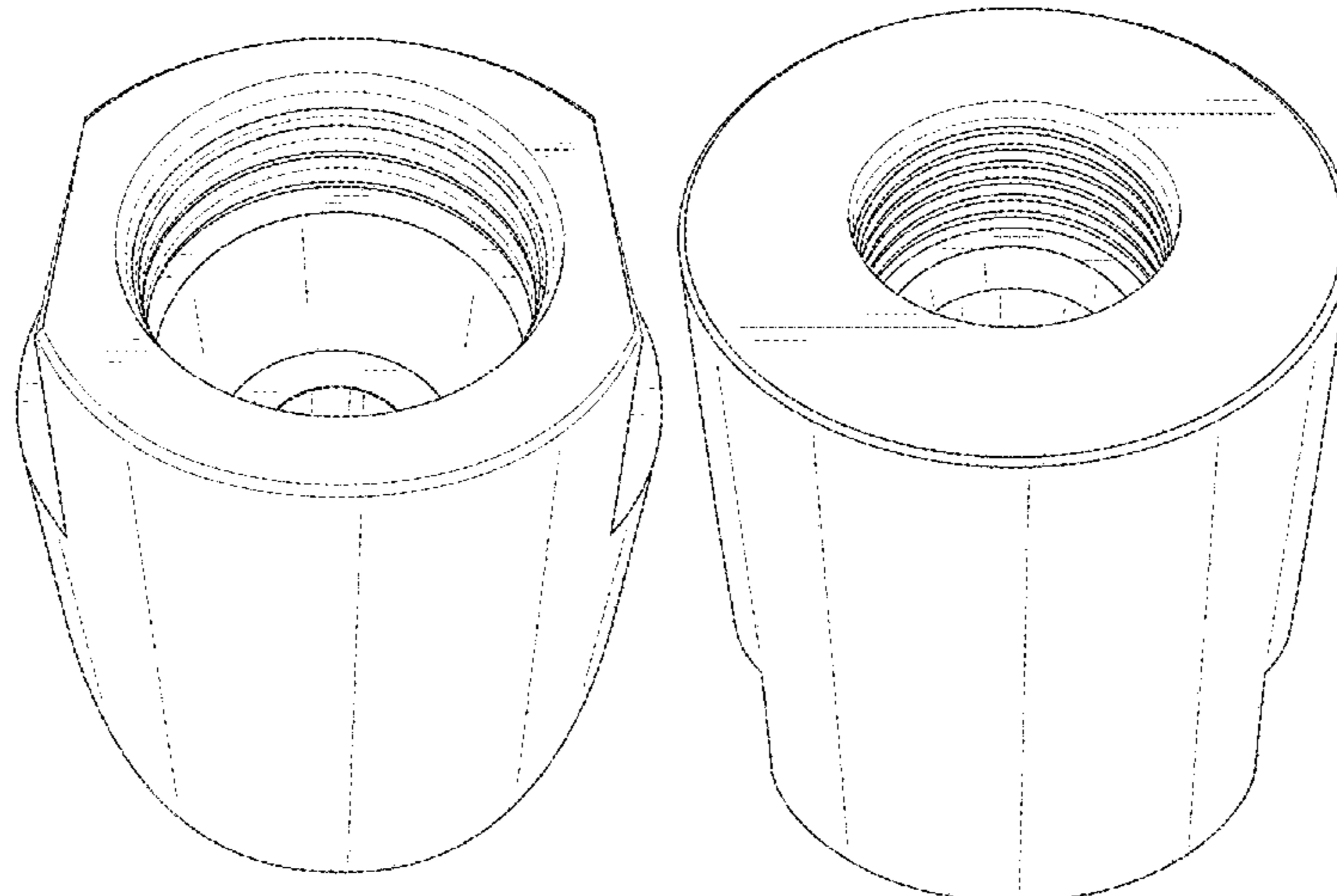
(57) **CLAIM**

I claim the ornamental design for an adapter, as shown and described.

DESCRIPTION

FIG. 1 is a top view of an adapter showing my new design; FIG. 2 is a bottom view thereof; FIG. 3 is a front elevational view thereof, the rear view being the same; FIG. 4 is a right side elevation view thereof, the left side view being the same; FIG. 5 is a top perspective view thereof; FIG. 6 is a bottom perspective view thereof; and, FIG. 7 is a cross-sectional view taken along line 7-7 in FIG. 1.

1 Claim, 7 Drawing Sheets



(56)

References Cited

U.S. PATENT DOCUMENTS

D767,714 S 9/2016 Kemper
 D773,848 S 12/2016 Yang
 D806,544 S * 1/2018 Williams D9/445
 D823,442 S * 7/2018 Sugatani D23/262
 D829,465 S 10/2018 Yang
 D873,976 S * 1/2020 Simon D23/262
 D887,836 S * 6/2020 Westcott-Pocock D9/435
 D887,837 S * 6/2020 Westcott-Pocock D9/435
 D888,900 S * 6/2020 Westcott-Pocock D23/260
 2006/0130664 A1 * 6/2006 Majer Doglioni .. A47J 31/0642
 99/275
 2015/0354182 A1 * 12/2015 Schurle G05D 23/08
 4/287
 2016/0023884 A1 * 1/2016 Sokol B65D 47/08
 222/545
 2016/0338912 A1 * 11/2016 Oberlin B65D 47/2031

OTHER PUBLICATIONS

Goat Throat Pump: Annouced Oct. 1, 2019 [online]. Site Visited [Sep. 27, 2020]. Available from Internet URL:<https://www.goatthroat.com/our-products/reike-black-cap-adapter/>.*

Photographs of Westcott Distribution Inc. Pour Spout Adapter Model No. 226-101.

Photographs of Westcott Distribution Inc. Pour Spout Adapter Model No. 226-201.

Photographs of Westcott Distribution Inc. Model No. 226-102.

Photographs of Westcott Distribution Inc. Model No. 226-119.

* cited by examiner

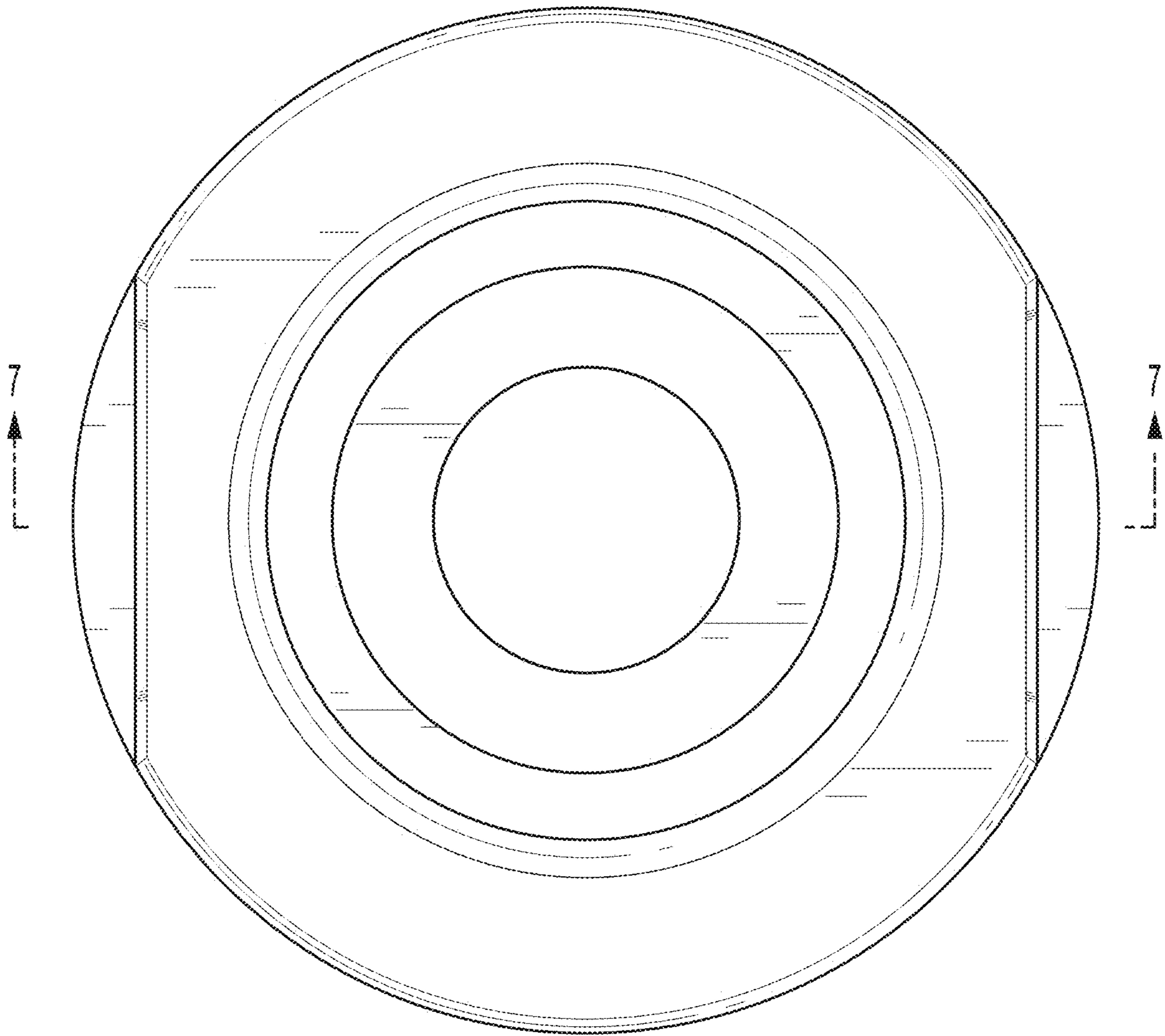


FIG. 1

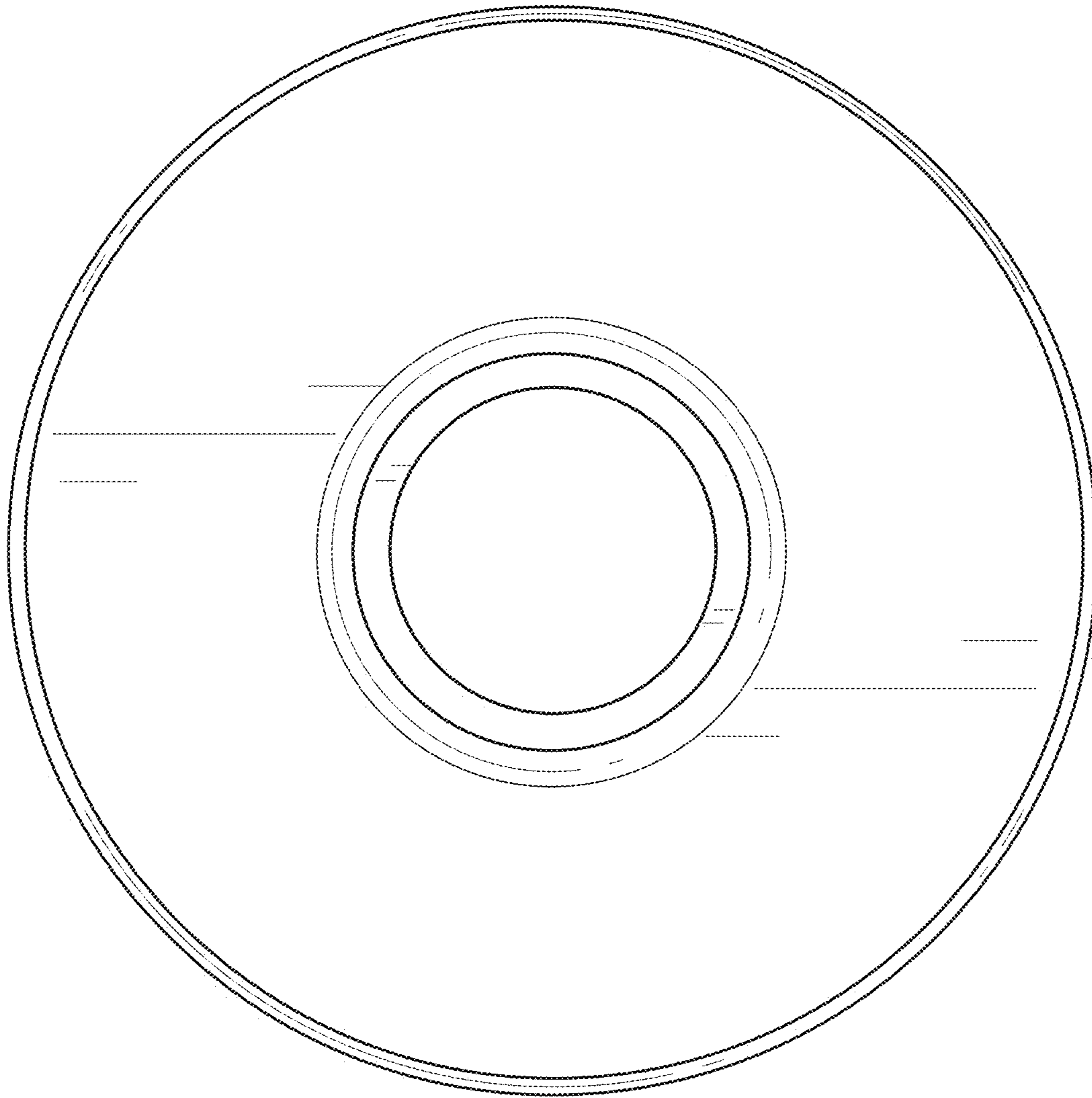


FIG. 2

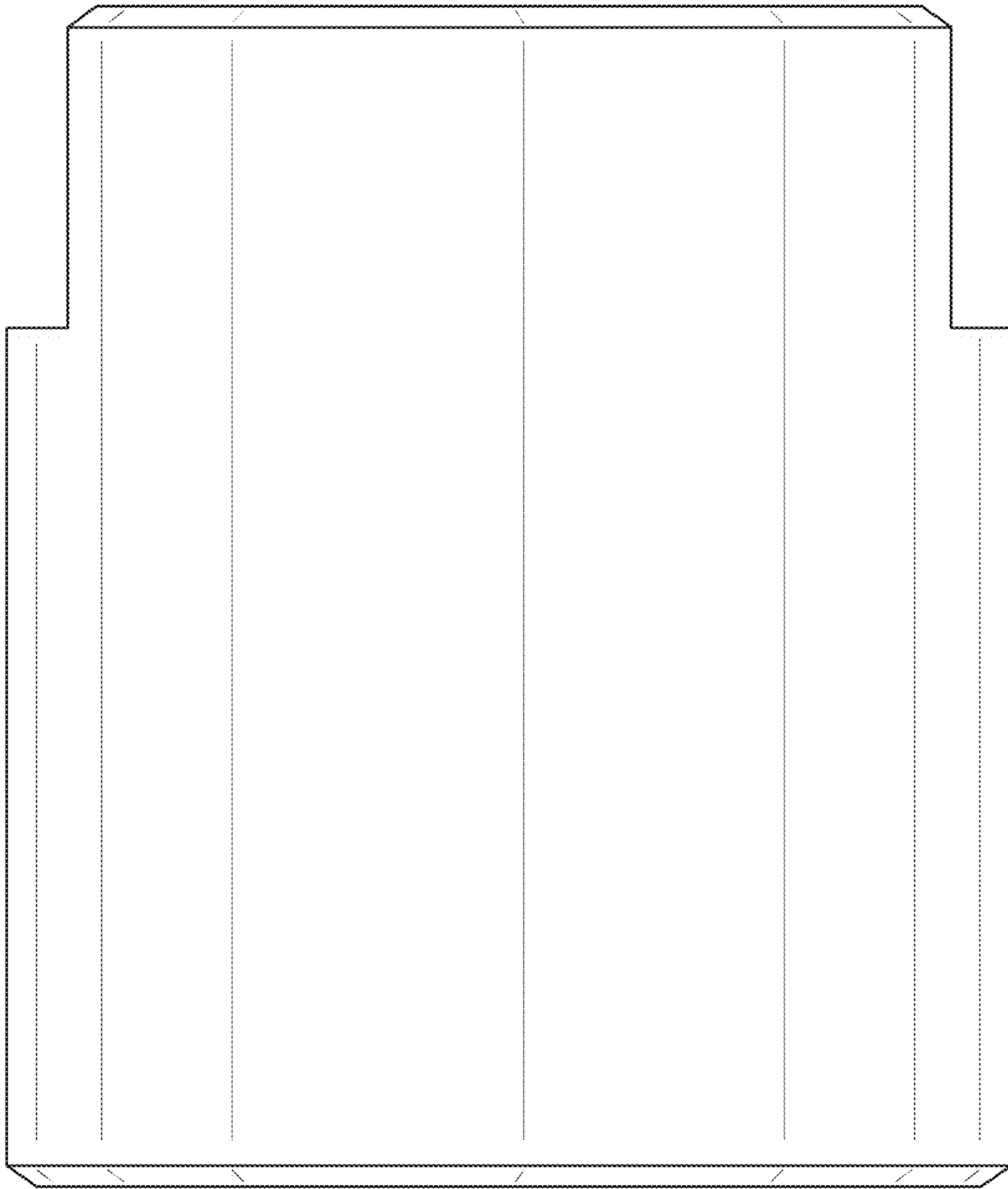


FIG. 3

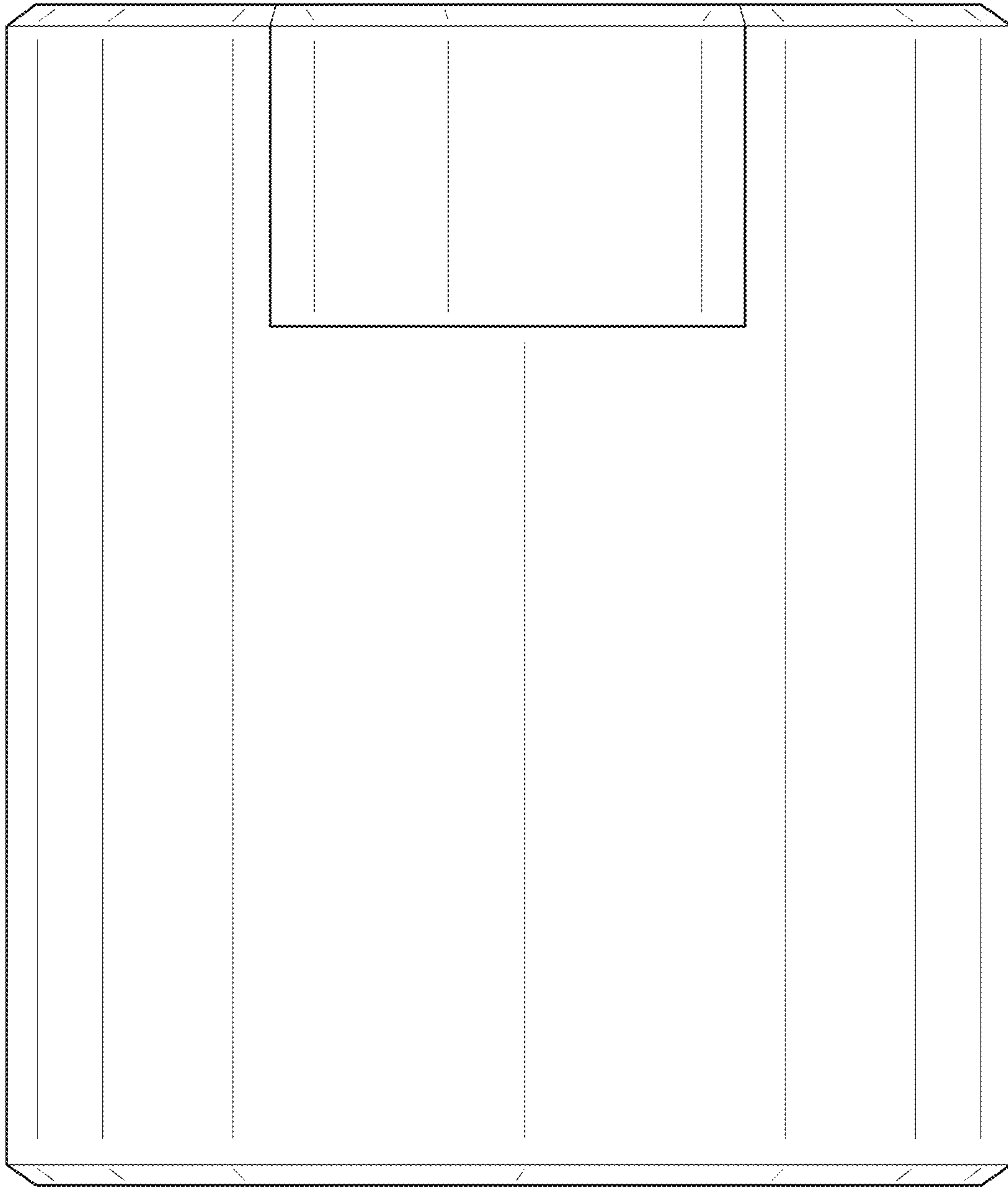


FIG. 4

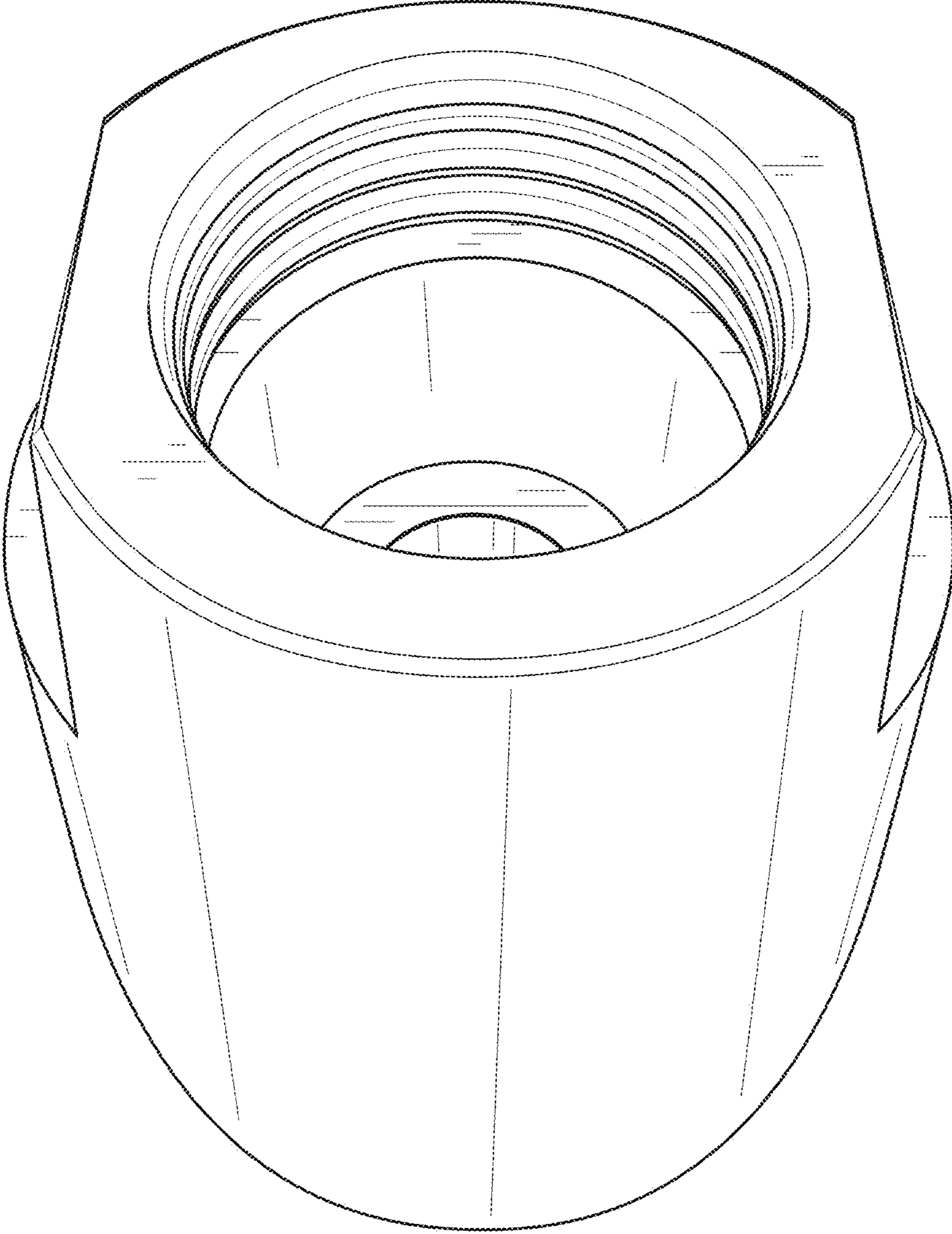


FIG. 5

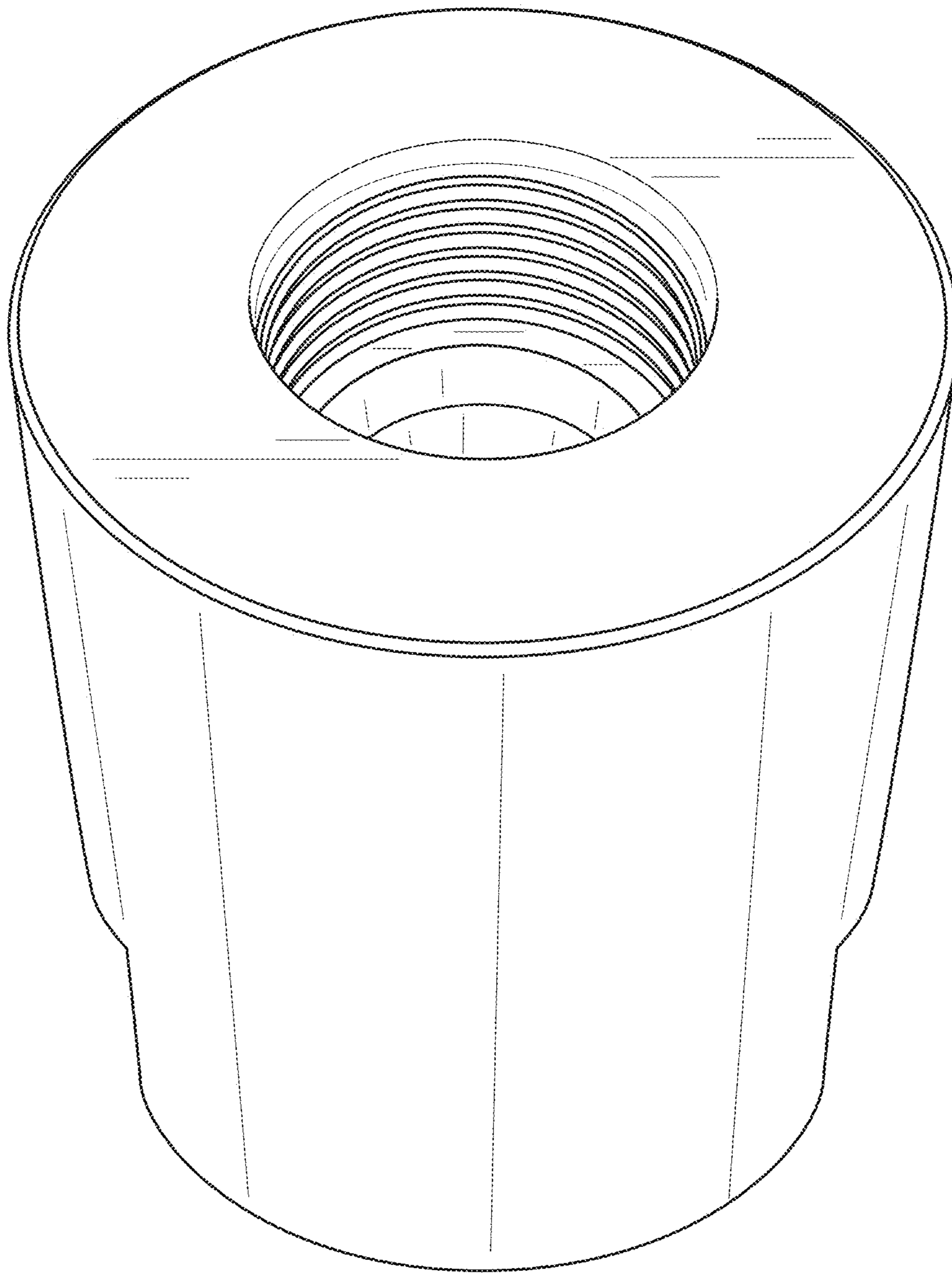


FIG. 6

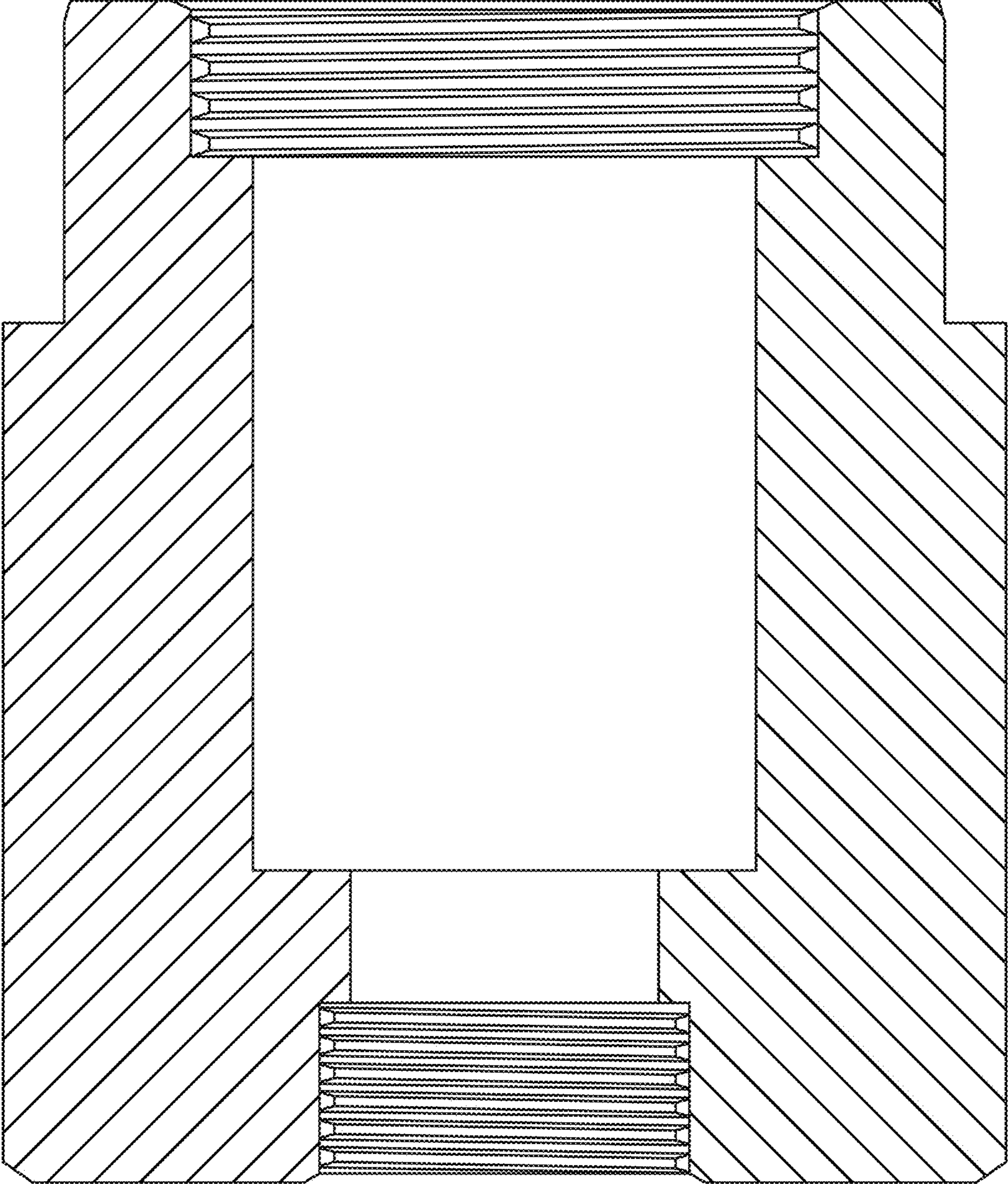


FIG. 7