

US00D909542S

(12) **United States Design Patent** (10) **Patent No.:** **US D909,542 S**  
**Seum et al.** (45) **Date of Patent:** **\*\* Feb. 2, 2021**

(54) **DIVERTER HANDLE**

(71) Applicant: **Grohe AG**, Hemer (DE)

(72) Inventors: **Michael Seum**, Duesseldorf (DE);  
**Jacob Nitz**, Brooklyn, NY (US)

(73) Assignee: **Grohe AG**, Hemer (DE)

(\*\*) Term: **15 Years**

(21) Appl. No.: **29/693,743**

(22) Filed: **Jun. 5, 2019**

(30) **Foreign Application Priority Data**

Dec. 5, 2018 (EM) ..... 005844156-0002

(51) **LOC (13) Cl.** ..... **23-01**

(52) **U.S. Cl.**  
USPC ..... **D23/252**

(58) **Field of Classification Search**  
USPC ..... D23/250–254, 238–243; D8/307–308  
See application file for complete search history.

(56) **References Cited**

U.S. PATENT DOCUMENTS

D708,709 S \* 7/2014 Yu ..... D23/238  
D718,839 S \* 12/2014 Garland ..... D23/252

D763,412 S \* 8/2016 Garland ..... D23/252  
D771,405 S \* 11/2016 Garland ..... D6/523  
D809,629 S \* 2/2018 Streng ..... D6/542  
D861,831 S \* 10/2019 Liao ..... D23/238  
D903,056 S \* 11/2020 Seum ..... D23/255

\* cited by examiner

*Primary Examiner* — Robert A Delehanty

(74) *Attorney, Agent, or Firm* — Muncy, Geissler, Olds & Lowe, P.C.

(57) **CLAIM**

The ornamental design for a diverter handle, as shown and described.

**DESCRIPTION**

FIG. 1 is a front perspective view of a diverter handle according to the present invention.

FIG. 2 is a front view of the diverter handle of FIG. 1.

FIG. 3 is a rear view of the diverter handle of FIG. 1.

FIG. 4 is a left side view of the diverter handle of FIG. 1.

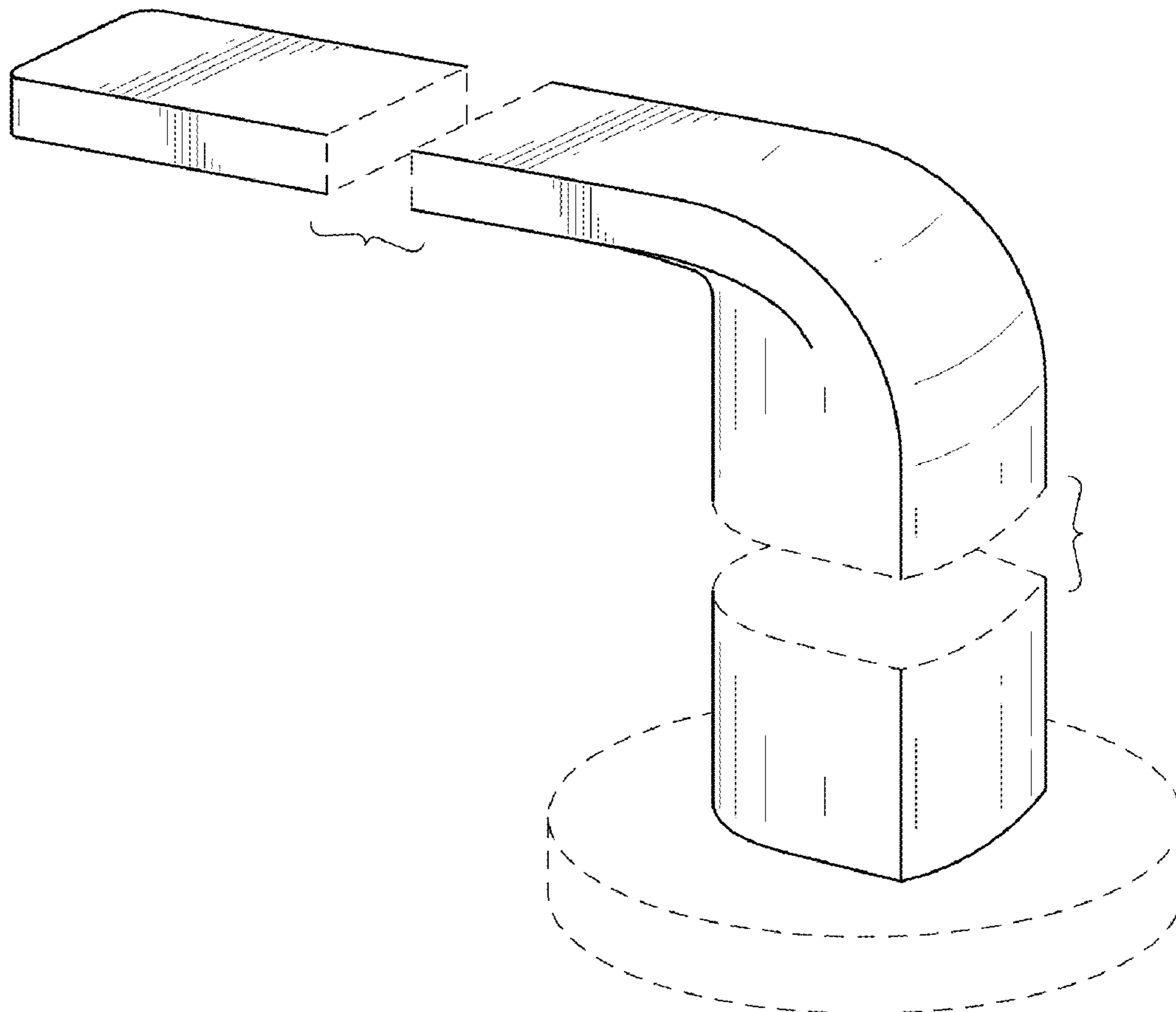
FIG. 5 is a right side view of the diverter handle of FIG. 1.

FIG. 6 is a top view of the diverter handle of FIG. 1; and,

FIG. 7 is a bottom view of the diverter handle of FIG. 1.

The appearance of any portion of the article between the broken away symbols forms no part of the claimed design.

**1 Claim, 7 Drawing Sheets**



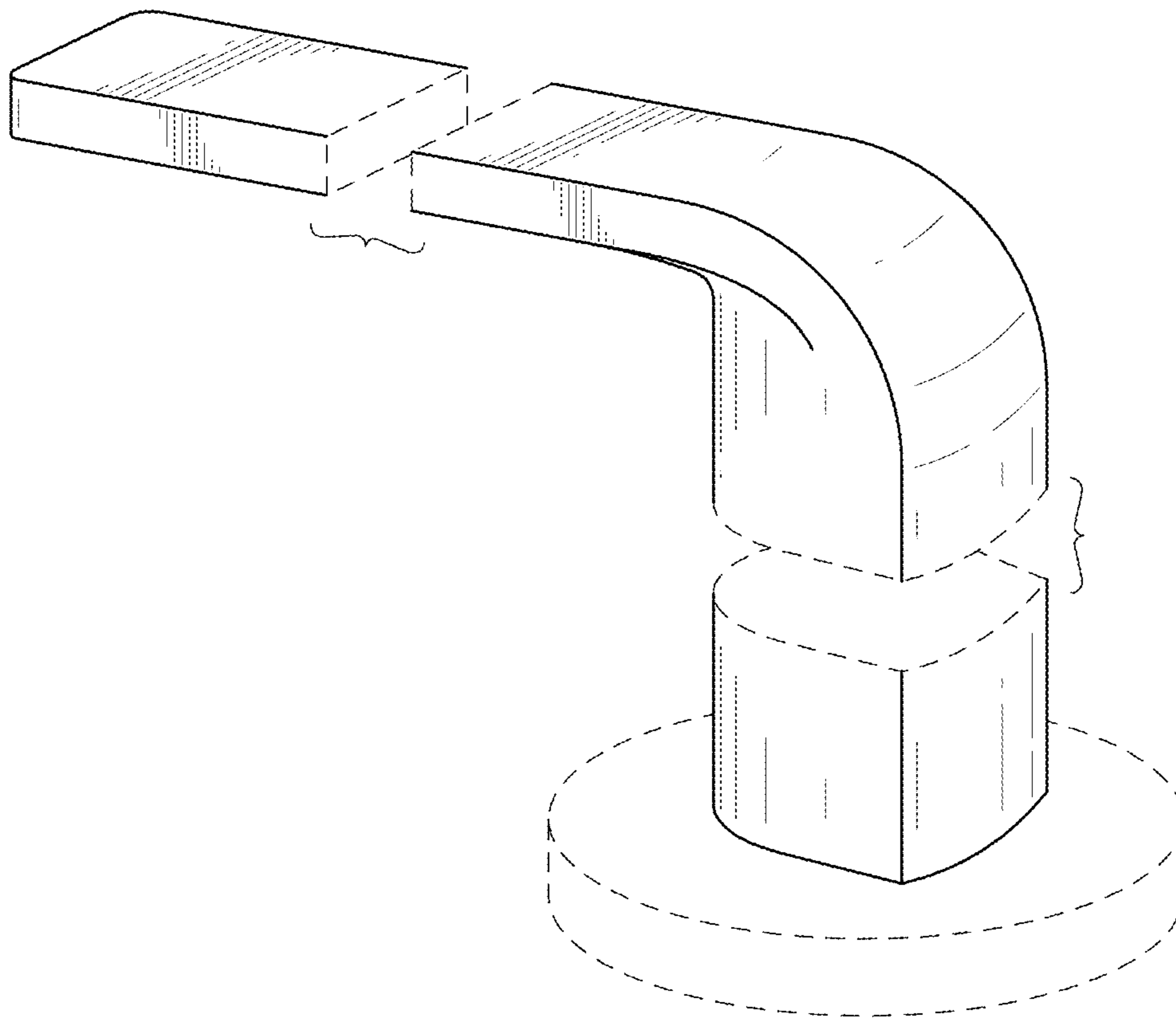


FIG.1

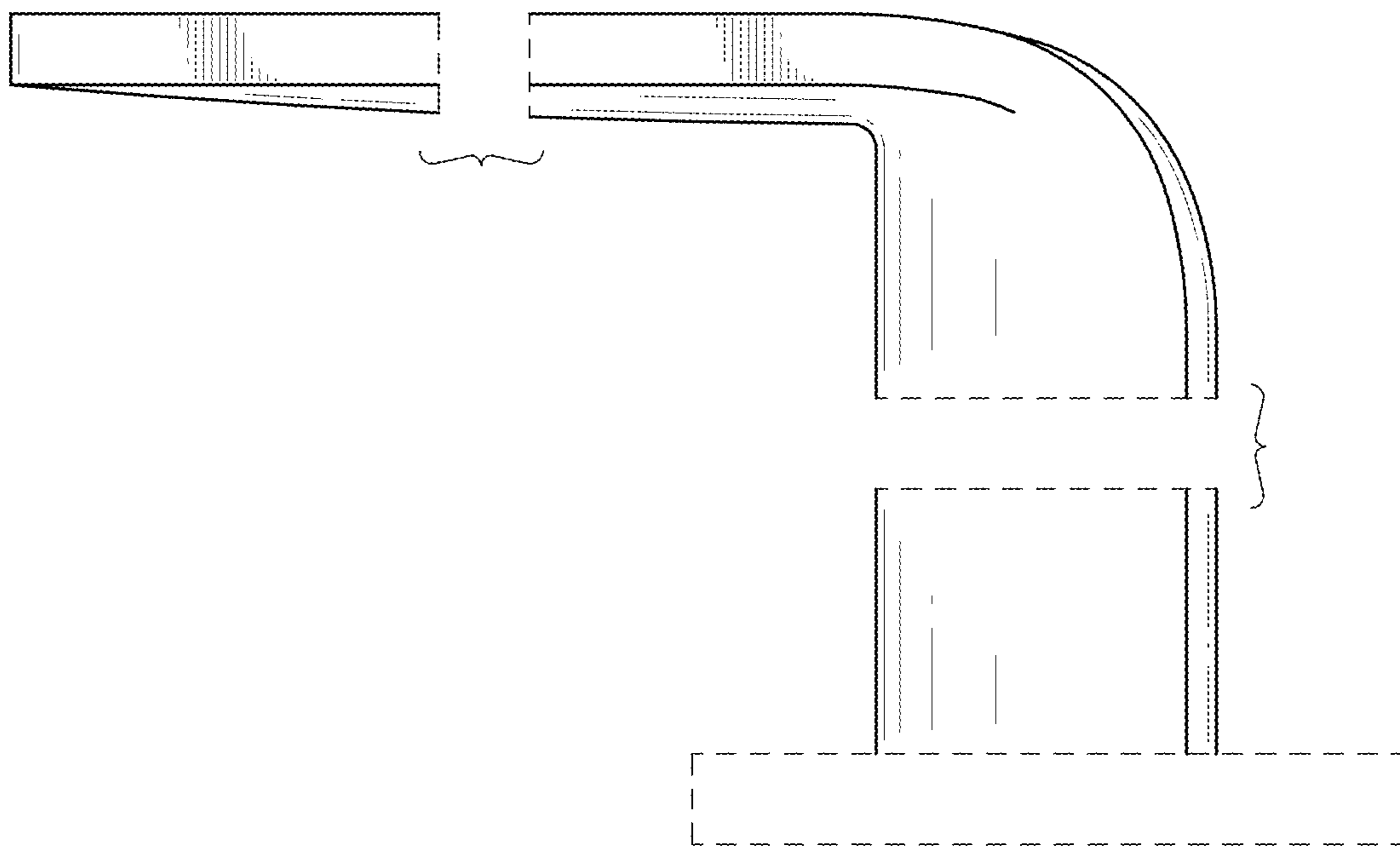


FIG.2

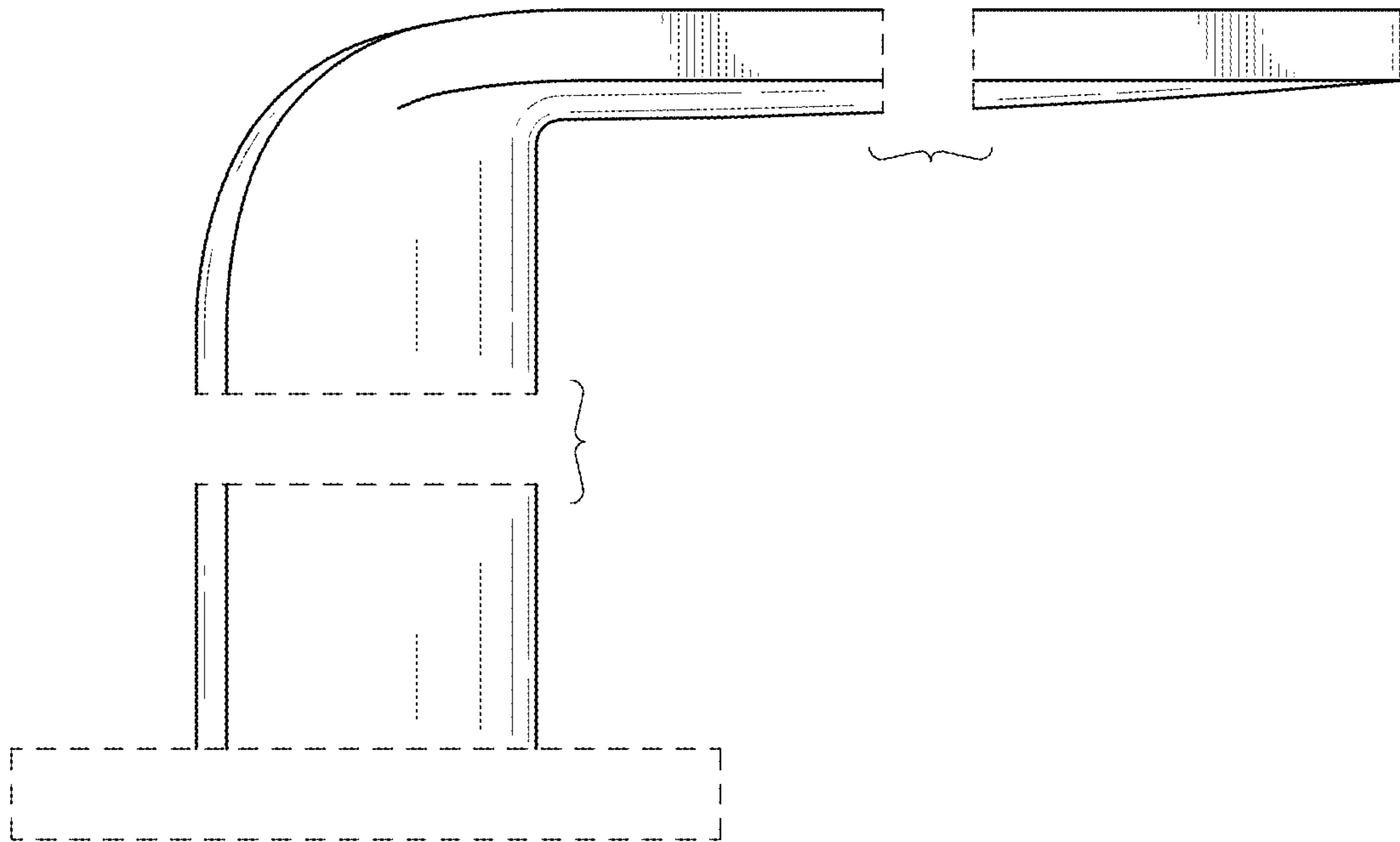


FIG.3

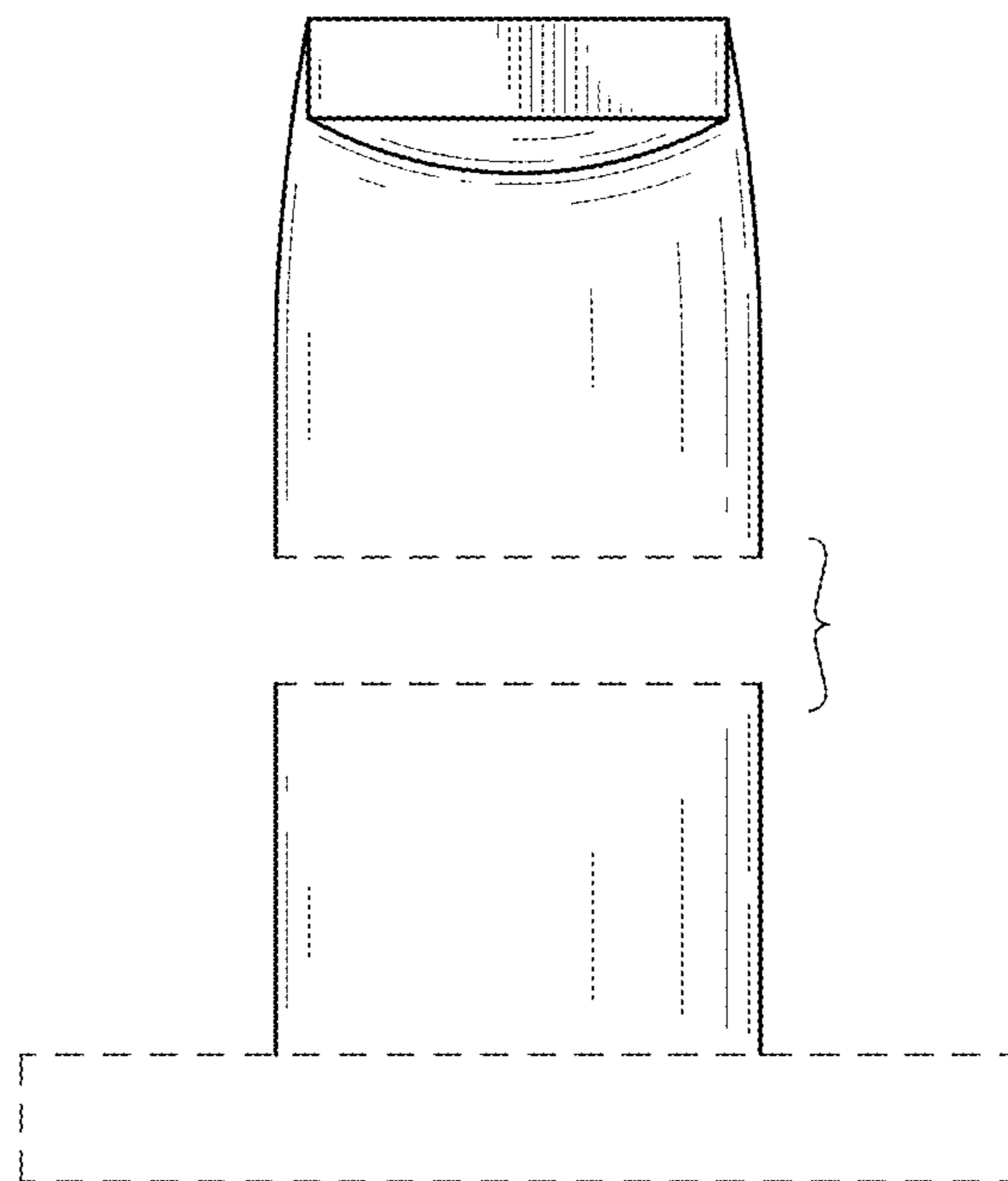


FIG.4

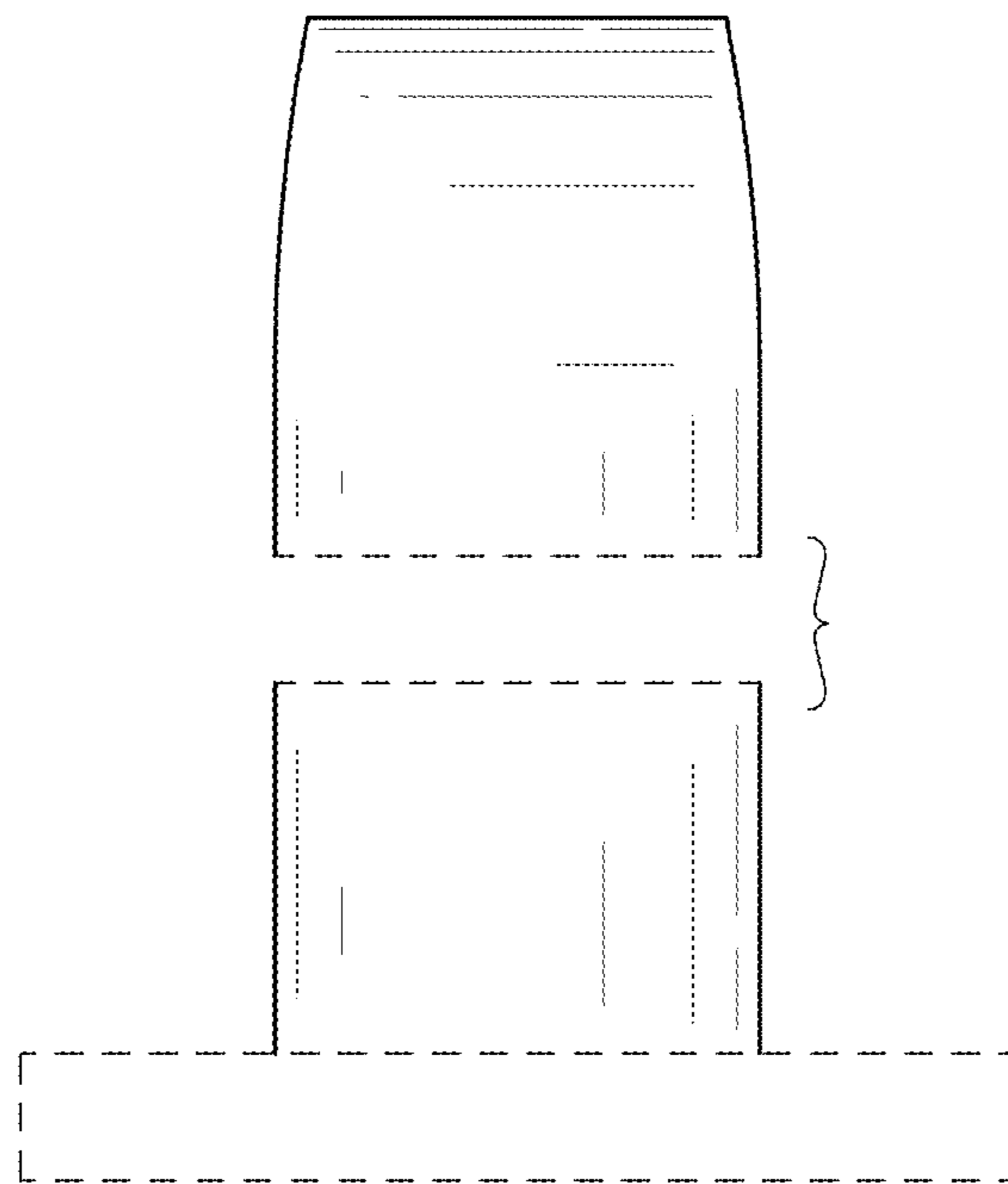


FIG.5

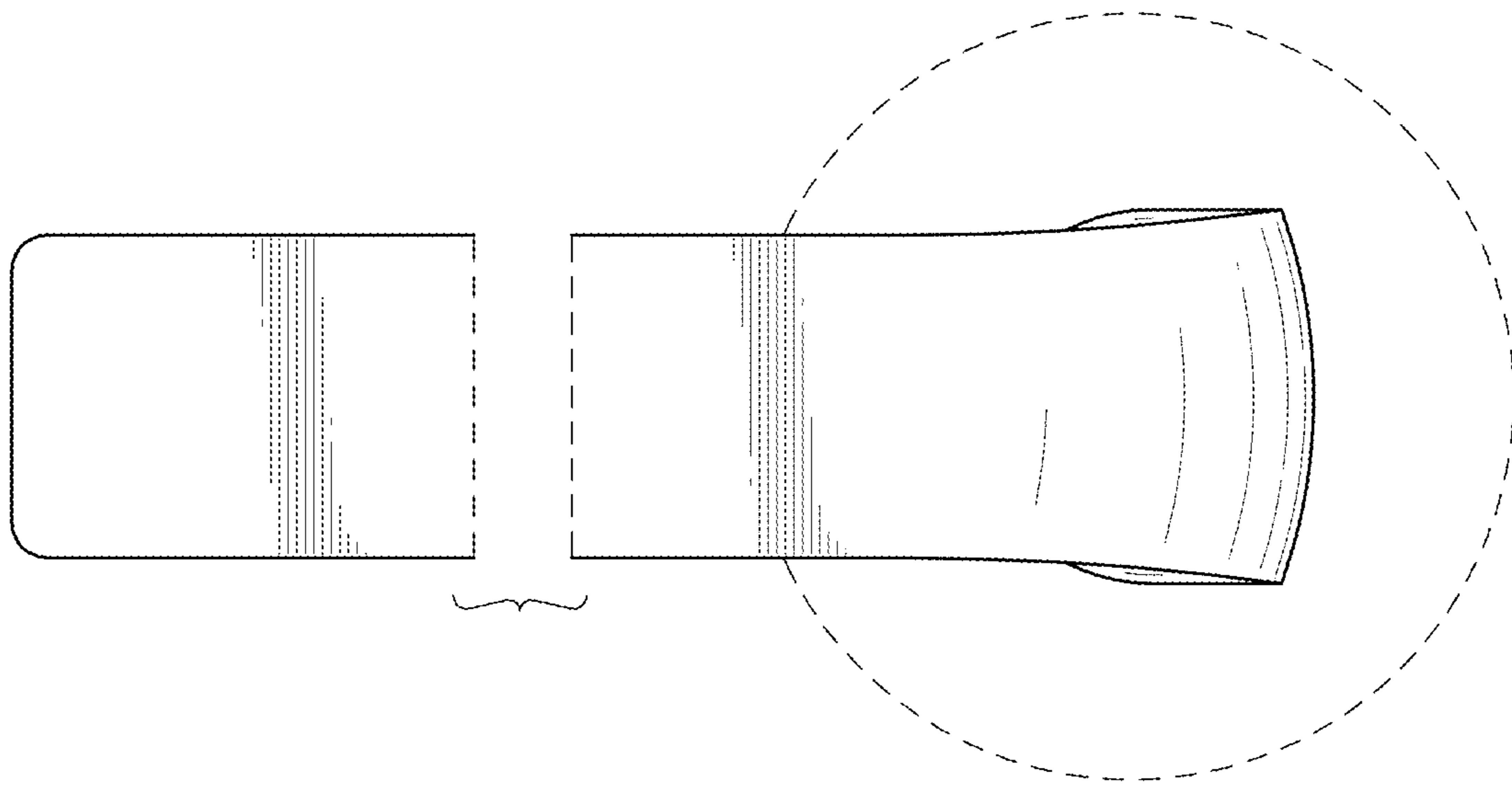


FIG.6

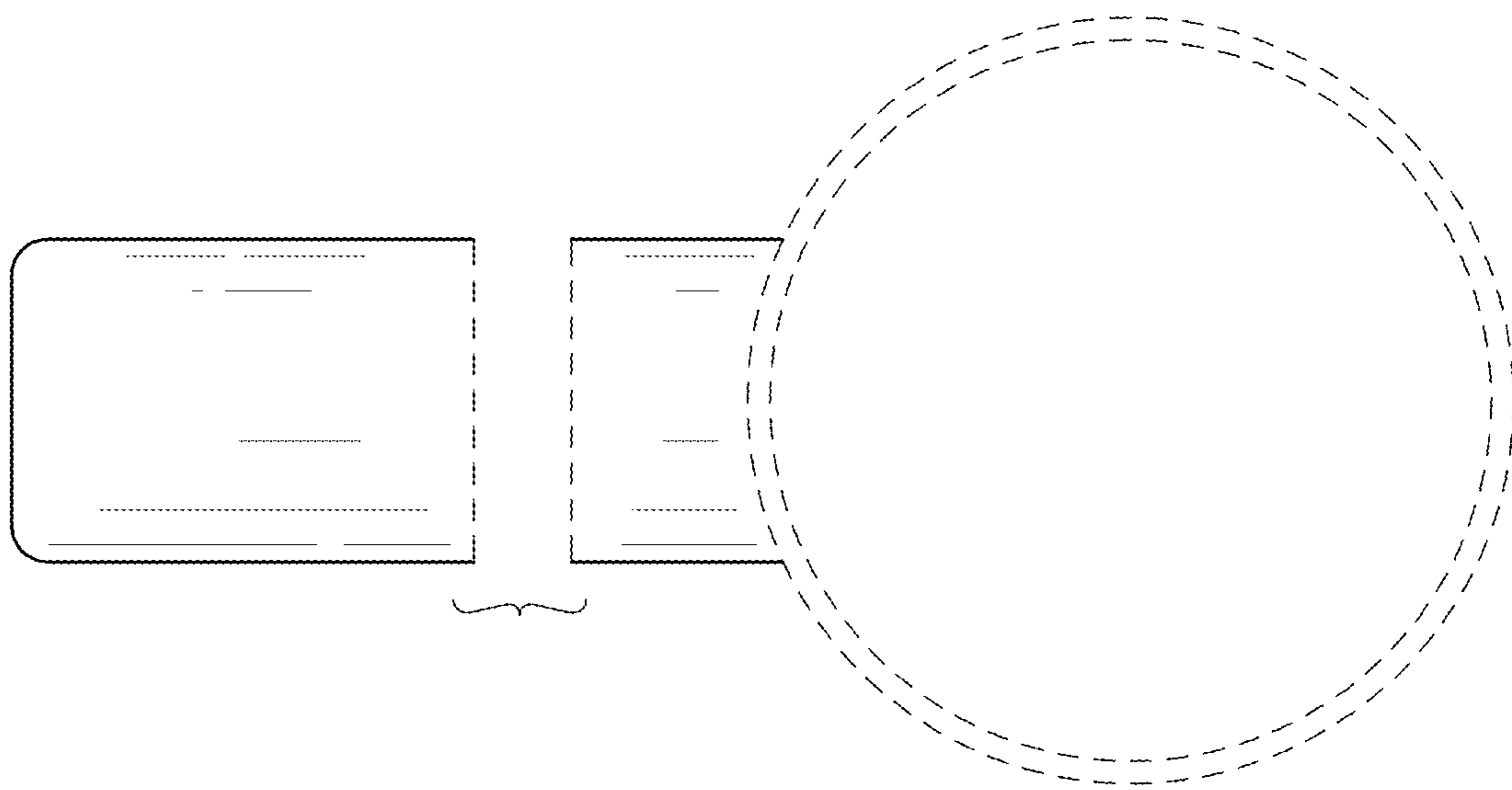


FIG.7