



US00D909541S

(12) **United States Design Patent** (10) **Patent No.:** **US D909,541 S**  
**Lee et al.** (45) **Date of Patent:** **\*\* Feb. 2, 2021**

(54) **SHOWER HANDLE ESCUTCHEON**  
(71) Applicant: **Kohler Co.**, Kohler, WI (US)  
(72) Inventors: **Dongha Lee**, Sheboygan, WI (US);  
**Rafael A. Rexach**, Sheboygan, WI (US);  
**Drew Johnson**, Sheboygan, WI (US)  
(73) Assignee: **KOHLER CO.**, Kohler, WI (US)

D582,014 S 12/2008 Spangler  
D615,626 S 5/2010 Tippens et al.  
D657,023 S 4/2012 McKeone  
D672,437 S 12/2012 Kwok  
D688,353 S 8/2013 Flowers  
D717,919 S 11/2014 Rexach et al.  
D717,920 S 11/2014 Rexach et al.  
D717,921 S 11/2014 Rexach  
D718,423 S 11/2014 Rexach  
D718,842 S 12/2014 Rexach  
D729,351 S 5/2015 Fritz  
D827,106 S \* 8/2018 Rexach ..... D23/255

(\*\*) Term: **15 Years**

\* cited by examiner

(21) Appl. No.: **29/682,389**

*Primary Examiner* — Robert A Delehanty

(22) Filed: **Mar. 5, 2019**

(74) *Attorney, Agent, or Firm* — Foley & Lardner LLP

**Related U.S. Application Data**

(62) Division of application No. 29/606,581, filed on Jun. 6, 2017, now Pat. No. Des. 847,307.

(51) **LOC (13) Cl.** ..... **23-01**

(52) **U.S. Cl.**  
USPC ..... **D23/250; D8/352**

(58) **Field of Classification Search**  
USPC ..... D23/250, 252, 254, 309, 313;  
D8/307–308, 352  
CPC ..... Y10T 137/9464  
See application file for complete search history.

(56) **References Cited**

**U.S. PATENT DOCUMENTS**

D317,816 S 6/1991 Robbins  
D458,344 S 6/2002 Mullenmeister  
D458,346 S \* 6/2002 Mullenmeister ..... D23/250  
D458,668 S 6/2002 Mullenmeister  
D520,606 S 5/2006 Hoernig  
D527,804 S \* 9/2006 Chu ..... D23/252

(57) **CLAIM**

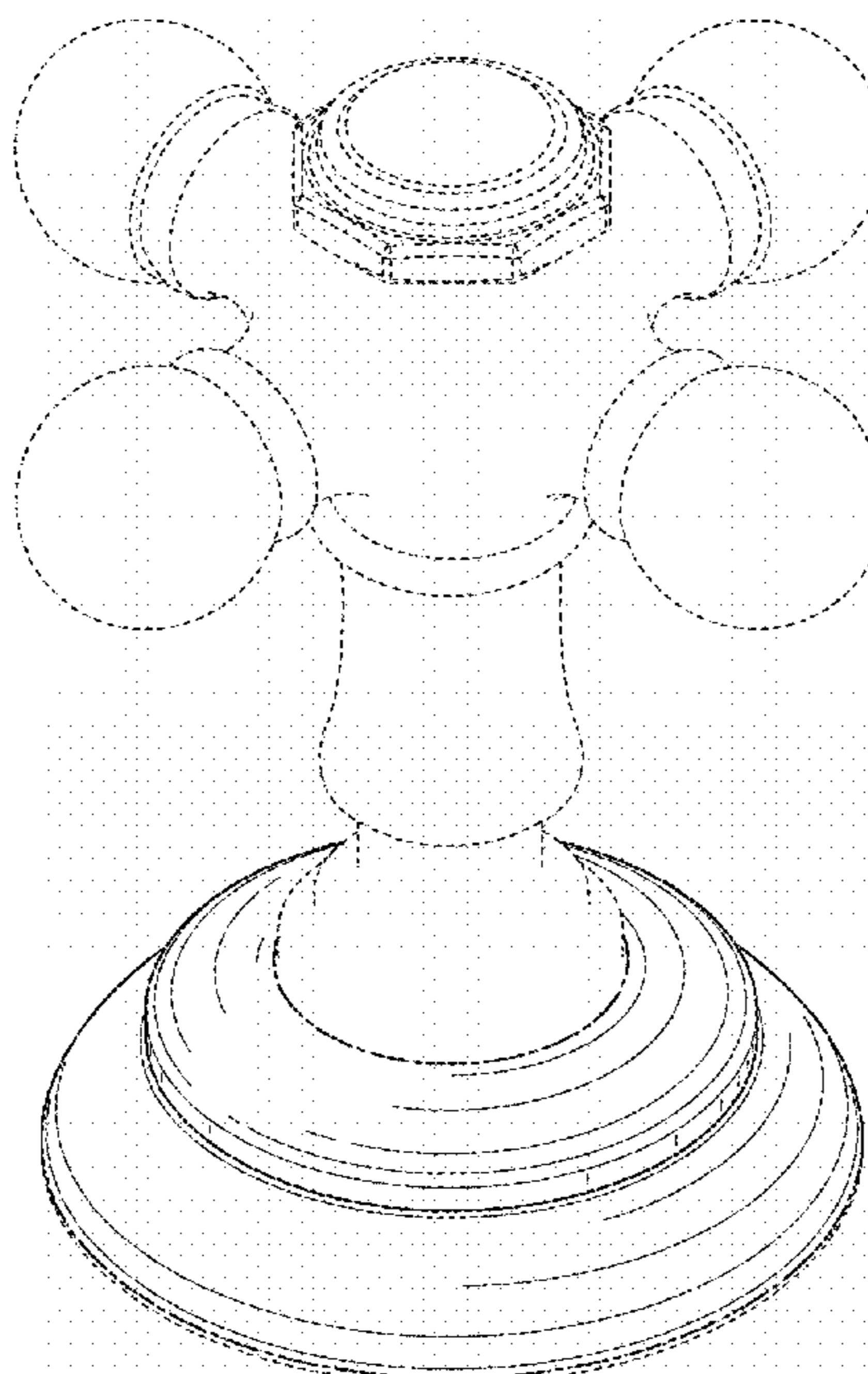
We claim the ornamental design for a shower handle escutcheon, as shown and described.

**DESCRIPTION**

FIG. 1 is a perspective view of an embodiment of the claimed design;  
FIG. 2 is a front elevation view thereof;  
FIG. 3 is a rear elevation view thereof;  
FIG. 4 is a right side elevation view thereof;  
FIG. 5 is a left side elevation view thereof;  
FIG. 6 is a top plan view thereof; and,  
FIG. 7 is a bottom plan view thereof.

The ornamental design which is claimed is shown in solid lines in the drawings. The broken lines in the drawings are for illustrative purposes only and form no part of the claimed design. Broken lines formed by equal length dashes show unclaimed subject matter. Broken lines formed by unequal length dashes (i.e., dash-dot) define bounds of the claimed design.

**1 Claim, 6 Drawing Sheets**



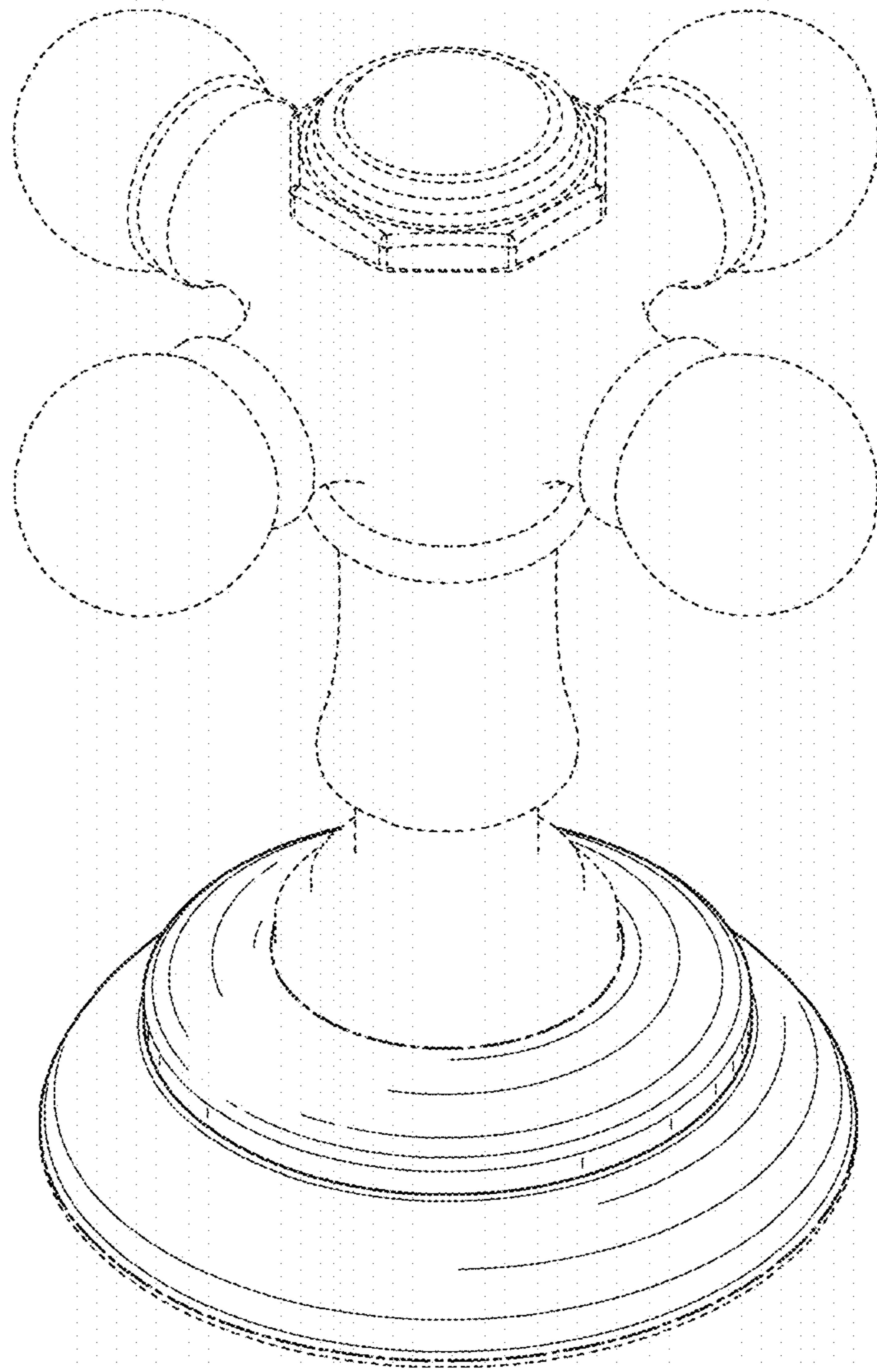


FIG. 1

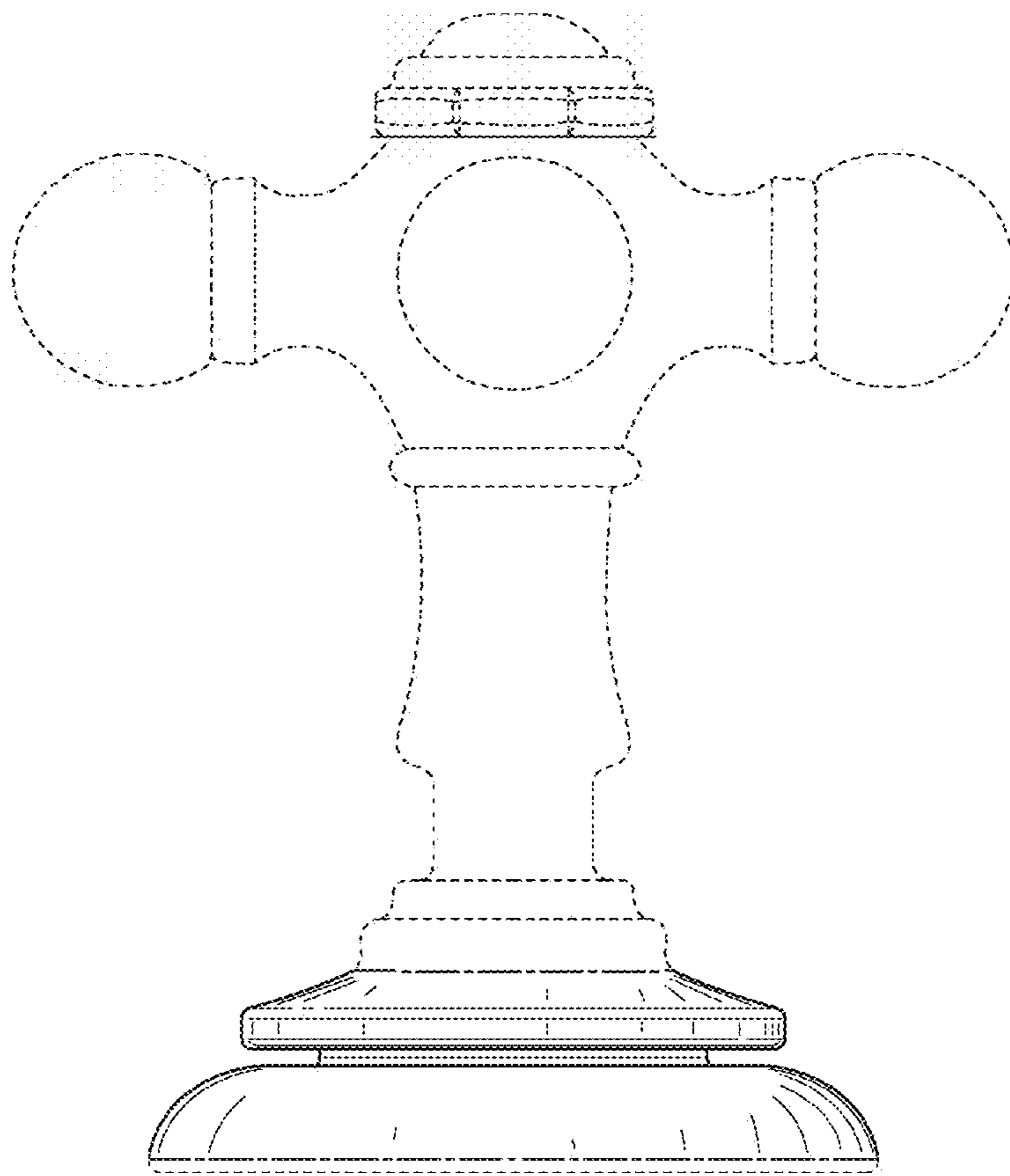


FIG. 2

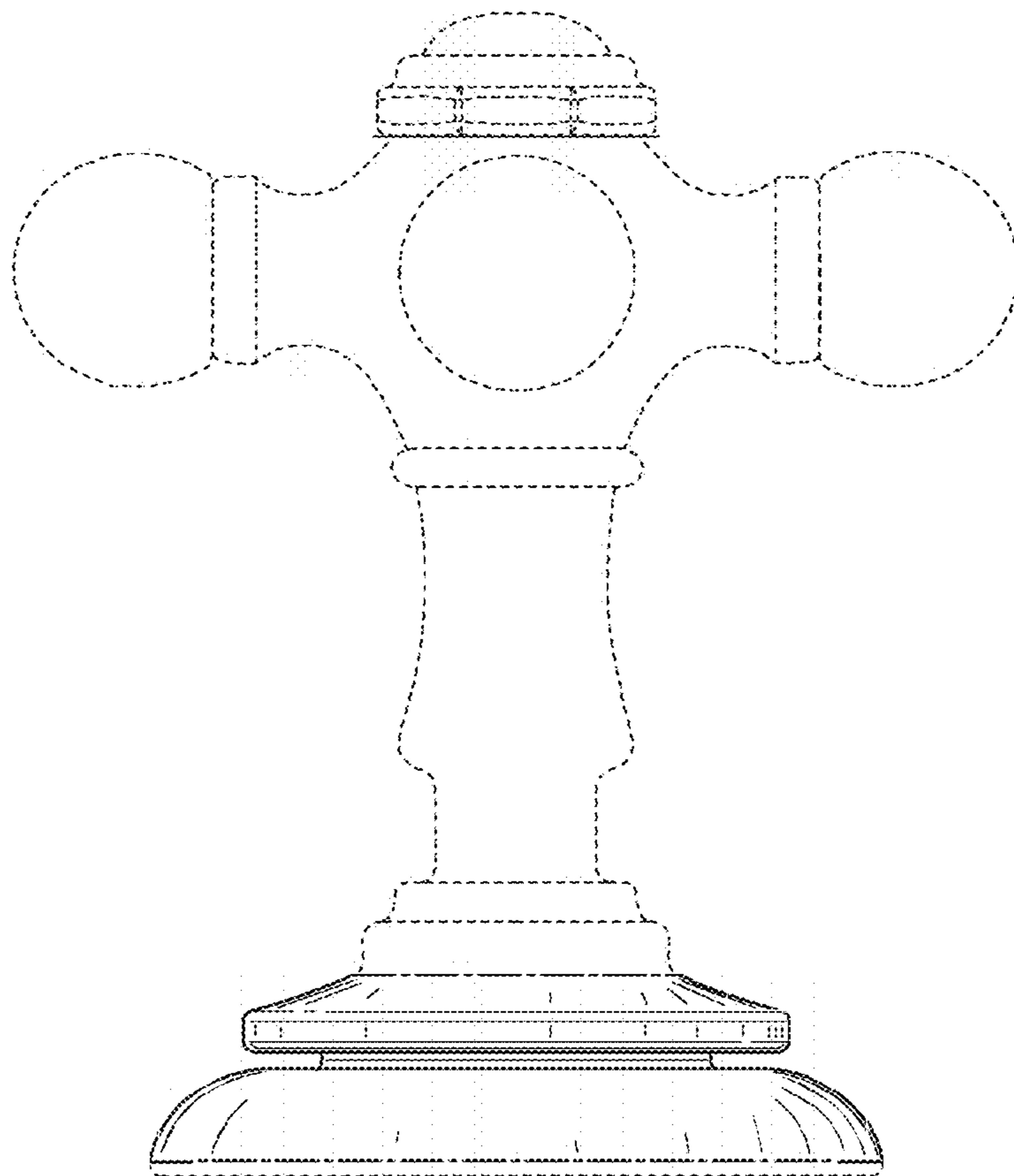


FIG. 3

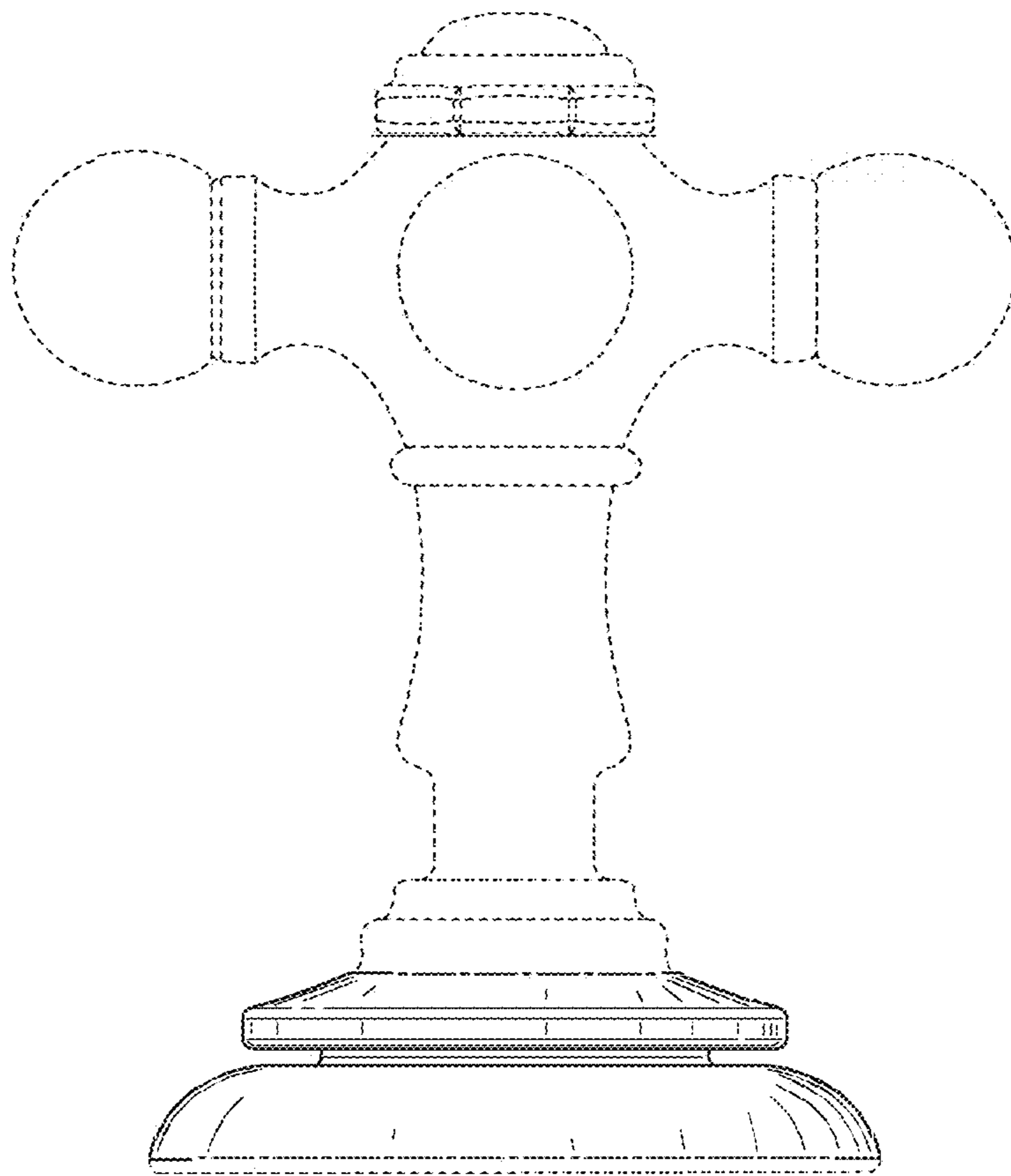


FIG. 4

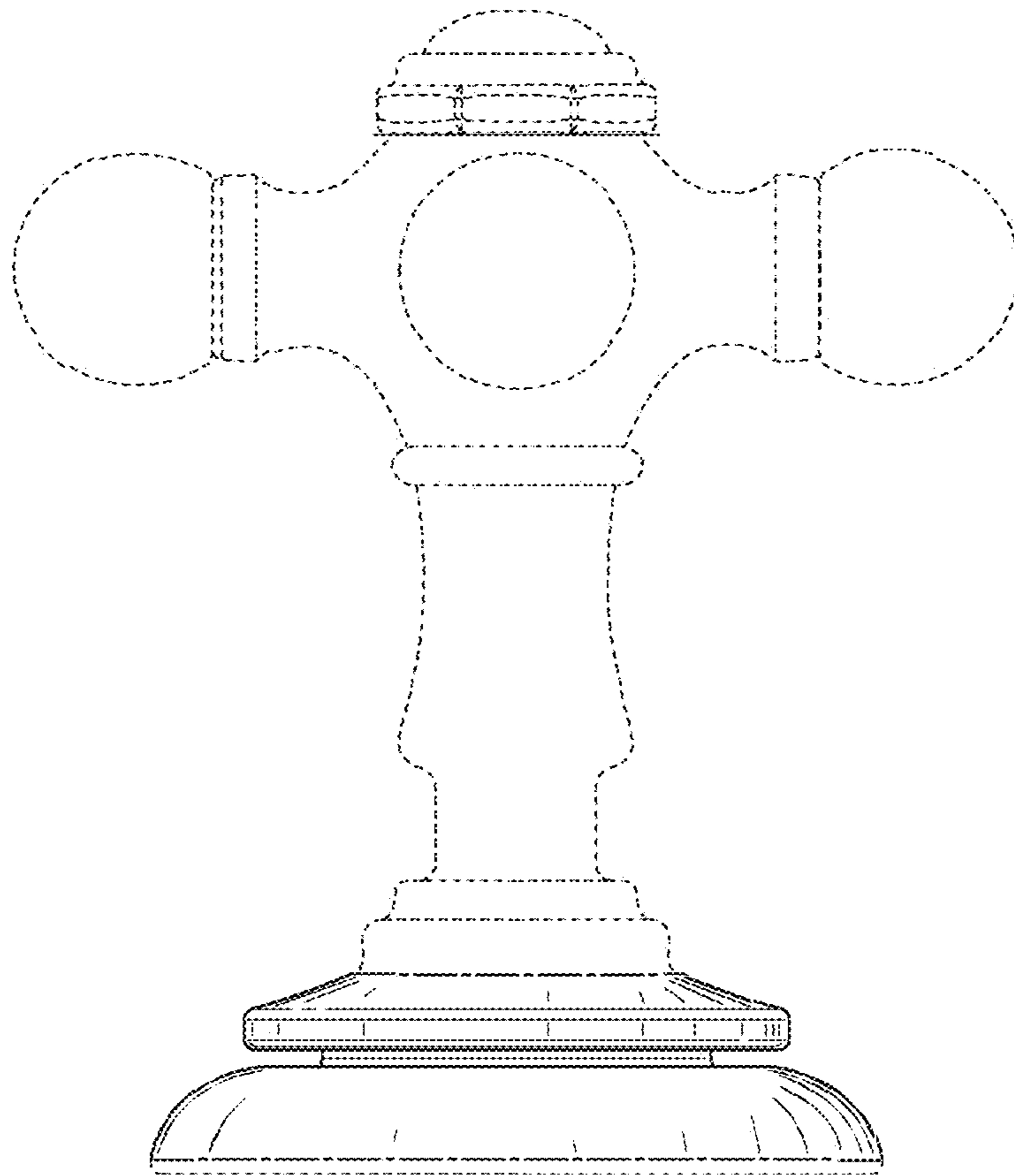
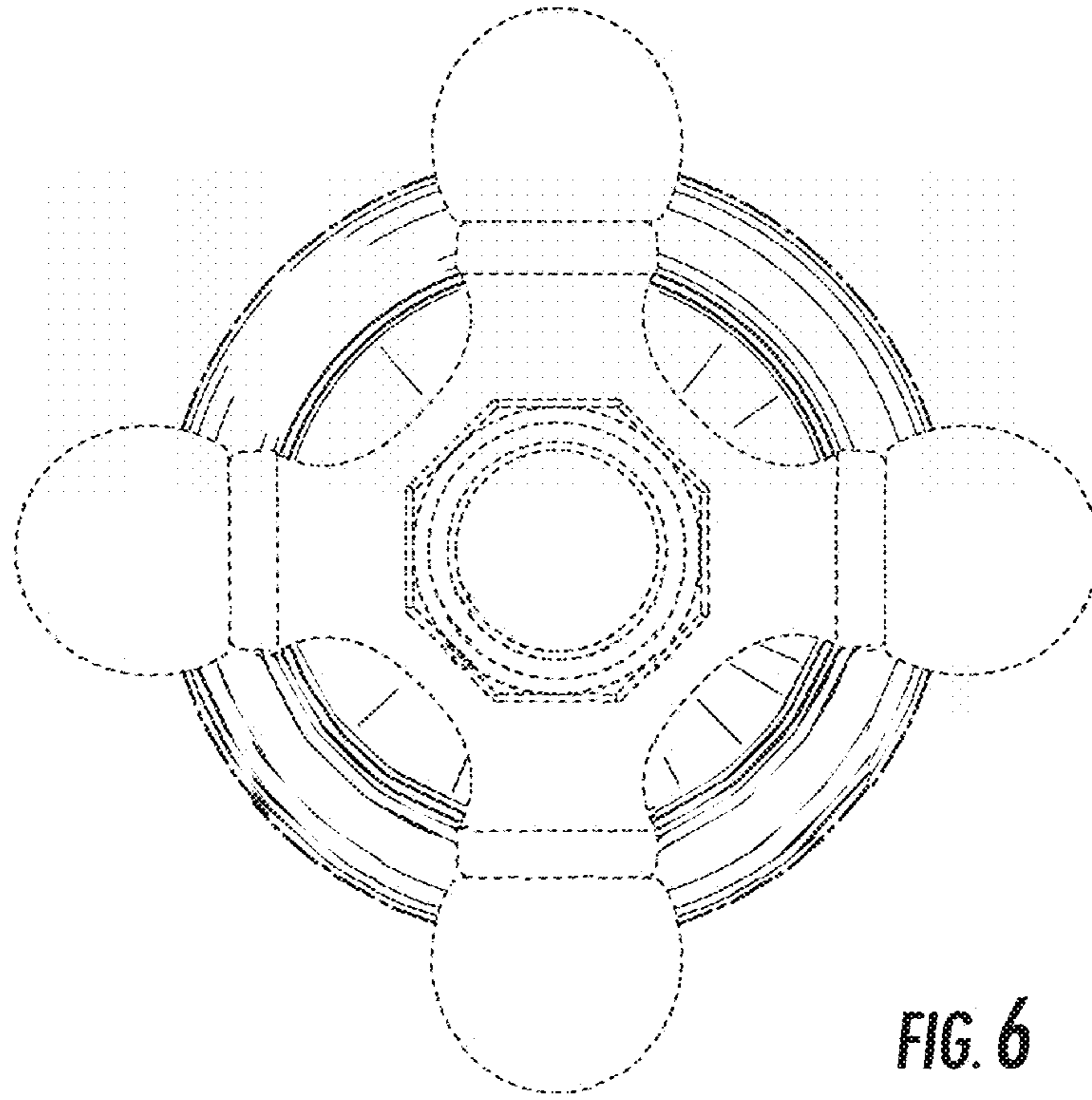
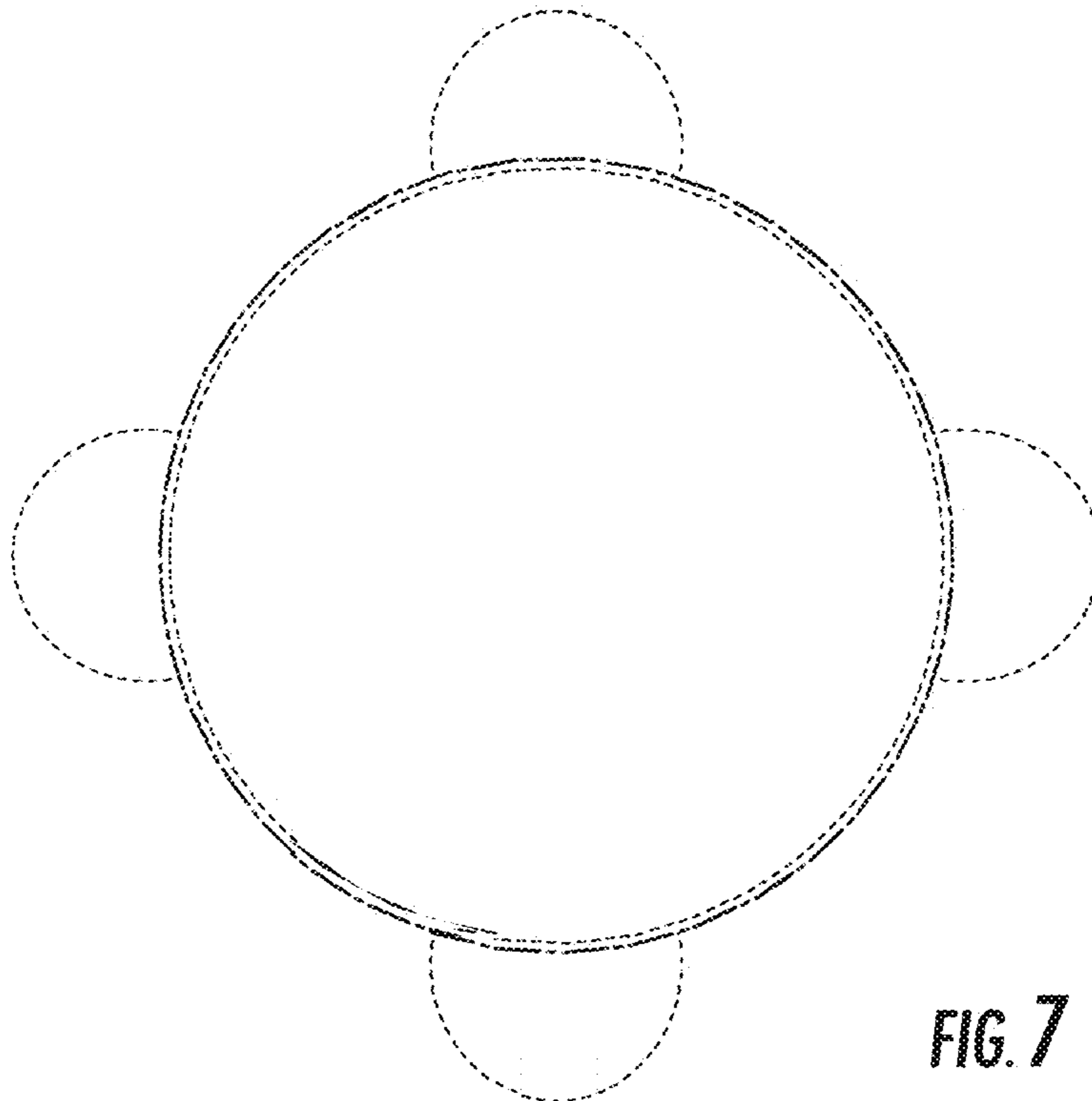


FIG. 5



**FIG. 6**



**FIG. 7**