



US00D909539S

(12) **United States Design Patent**  
**Zhou**

(10) **Patent No.:** **US D909,539 S**

(45) **Date of Patent:** **\*\* Feb. 2, 2021**

- (54) **VALVE ASSEMBLY**
- (71) Applicant: **Dongsheng Zhou**, Cupertino, CA (US)
- (72) Inventor: **Dongsheng Zhou**, Cupertino, CA (US)
- (\*\*) Term: **15 Years**
- (21) Appl. No.: **29/669,545**
- (22) Filed: **Nov. 9, 2018**
- (51) **LOC (13) Cl.** ..... **23-01**
- (52) **U.S. Cl.**  
USPC ..... **D23/235**
- (58) **Field of Classification Search**  
USPC ..... D23/233, 235, 237, 245-249; 431/256,  
431/264, 80; 200/61.86, 569, 293  
CPC ..... H01H 3/0206; H01H 19/605; F23N  
2227/30; F23N 2227/36; F23N 2227/22;  
F23N 2235/14; F23N 5/203; F23N 5/242;  
F23N 5/265  
See application file for complete search history.

- 6,646,214 B1 \* 11/2003 Home ..... H01H 3/0206  
200/61.86
- 7,902,476 B2 \* 3/2011 Querejeta Andueza .....  
H01H 3/0206  
200/569
- 10,295,184 B2 \* 5/2019 Albright ..... F23L 7/007
- D872,834 S \* 1/2020 Howard ..... D23/235

\* cited by examiner

*Primary Examiner* — Gino Colan

(57) **CLAIM**

The ornamental design for a valve assembly, as shown and described.

**DESCRIPTION**

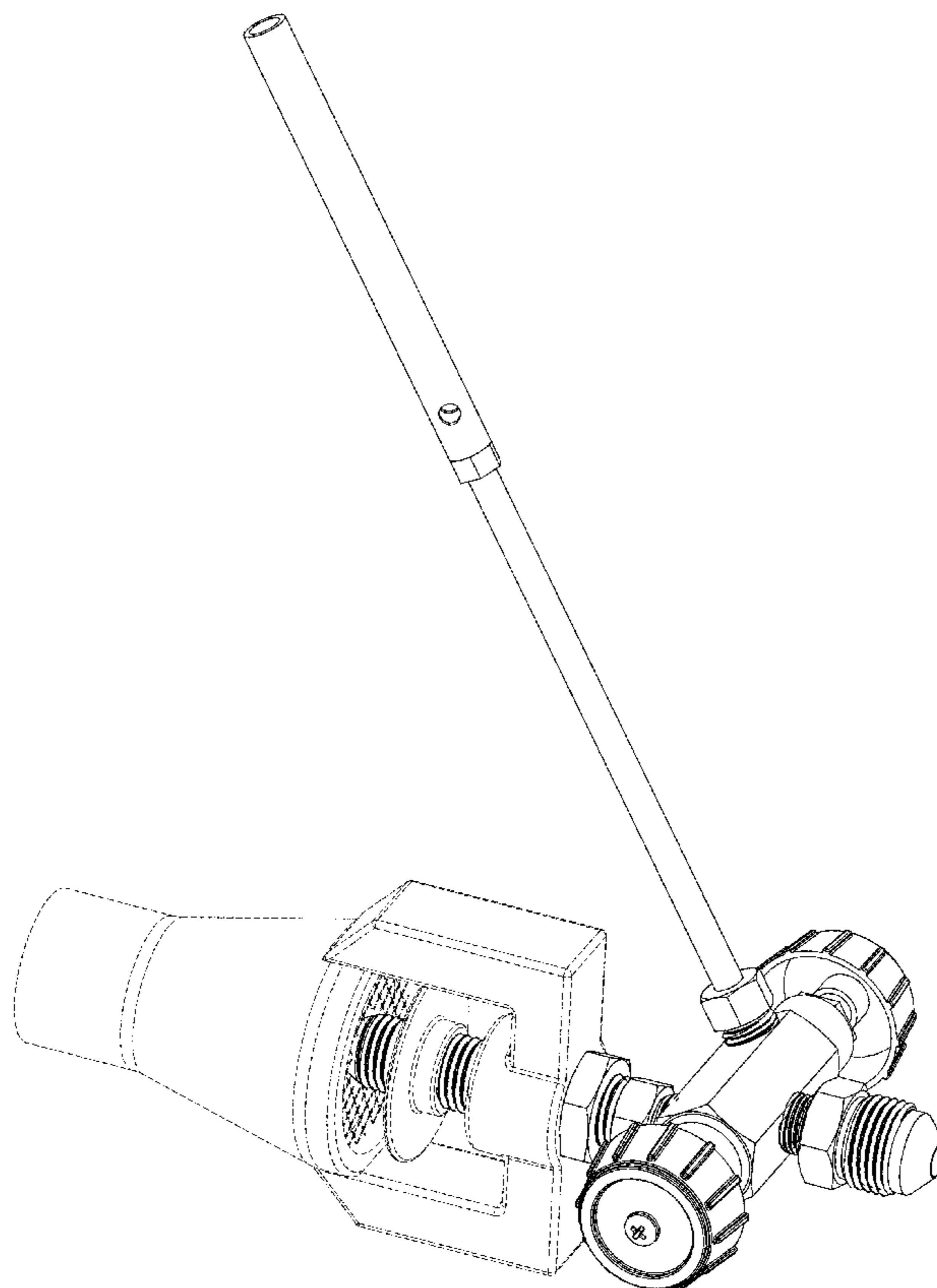
FIG. 1 is a top perspective view of a valve assembly showing my new design;  
 FIG. 2 is a bottom perspective view thereof;  
 FIG. 3 is a top plan view thereof;  
 FIG. 4 is a front plan view thereof;  
 FIG. 5 is a bottom plan view thereof;  
 FIG. 6 is a rear plan view thereof;  
 FIG. 7 is a side elevation view thereof;  
 FIG. 8 is a side elevation view of the opposite side of FIG. 7; and,  
 FIG. 9 is my valve assembly without its surrounding environment.  
 The broken lines shown in the drawings illustrate environment of the valve assembly that form no part of the claimed design.

**1 Claim, 9 Drawing Sheets**

(56) **References Cited**

U.S. PATENT DOCUMENTS

- 4,249,047 A \* 2/1981 Huff ..... H01H 3/0206  
200/293
- 4,358,647 A \* 11/1982 Demi ..... H01H 3/0206  
200/61.86
- 5,525,771 A \* 6/1996 Lund ..... H01H 3/0206  
200/61.86



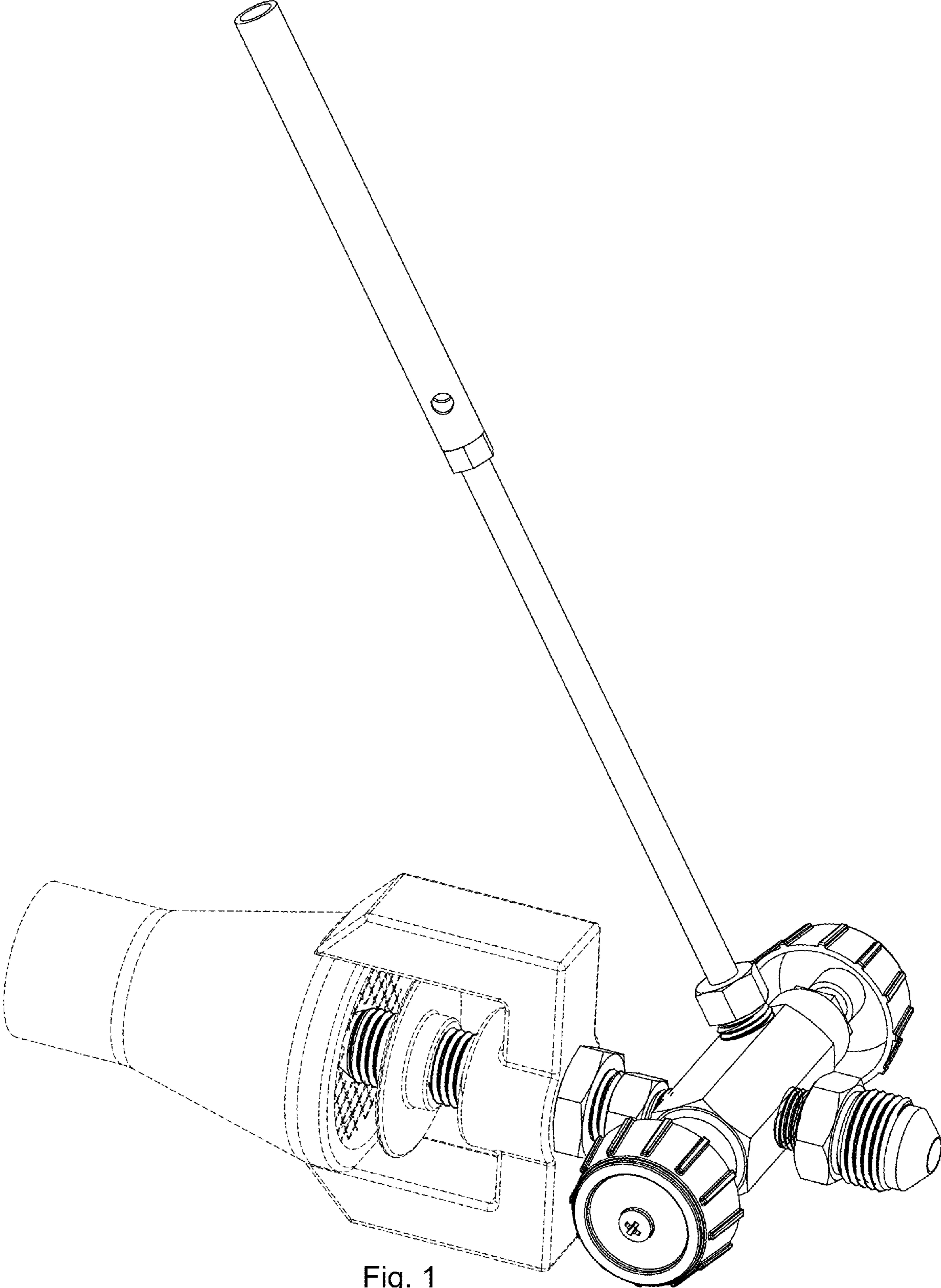


Fig. 1

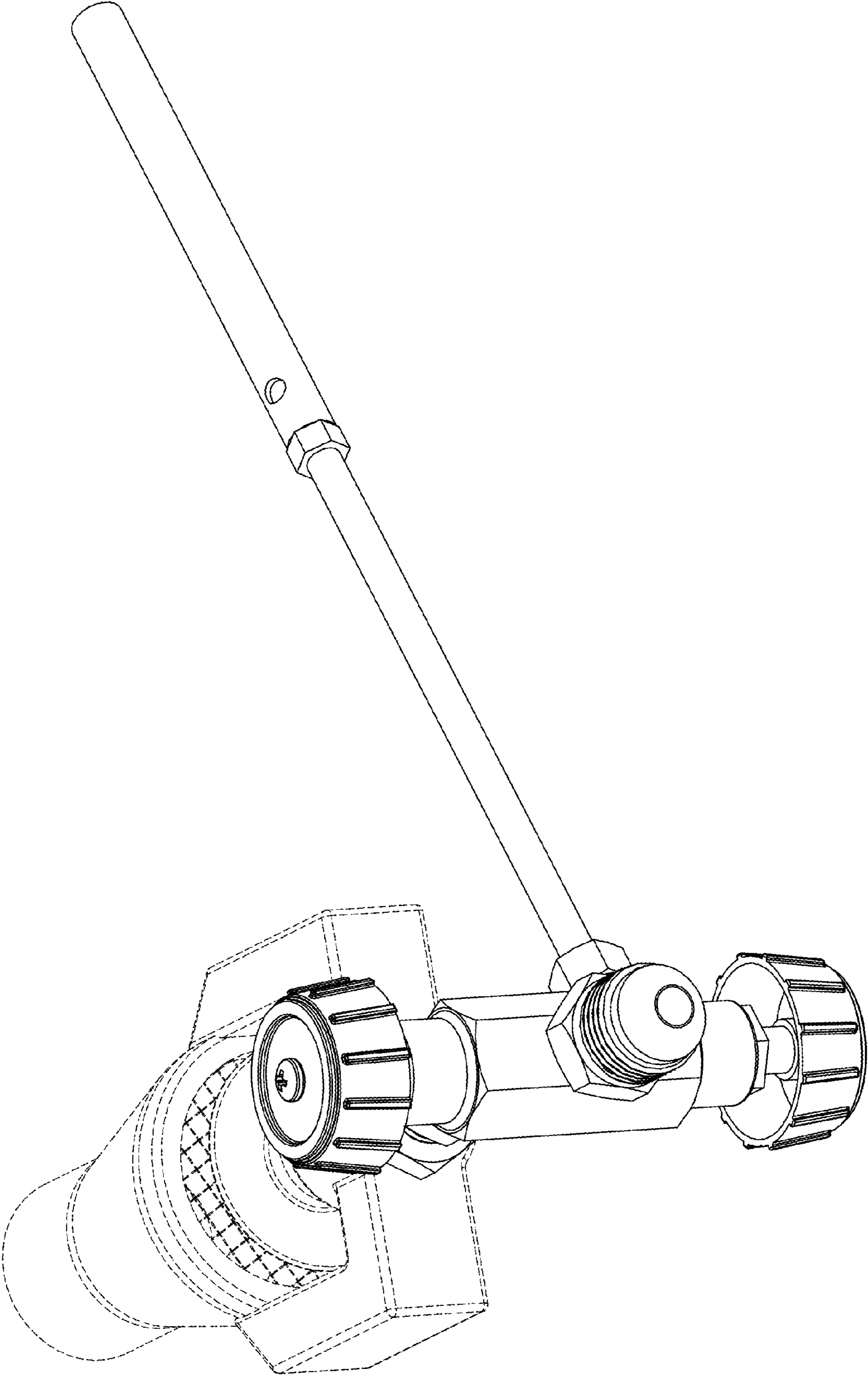


Fig. 2

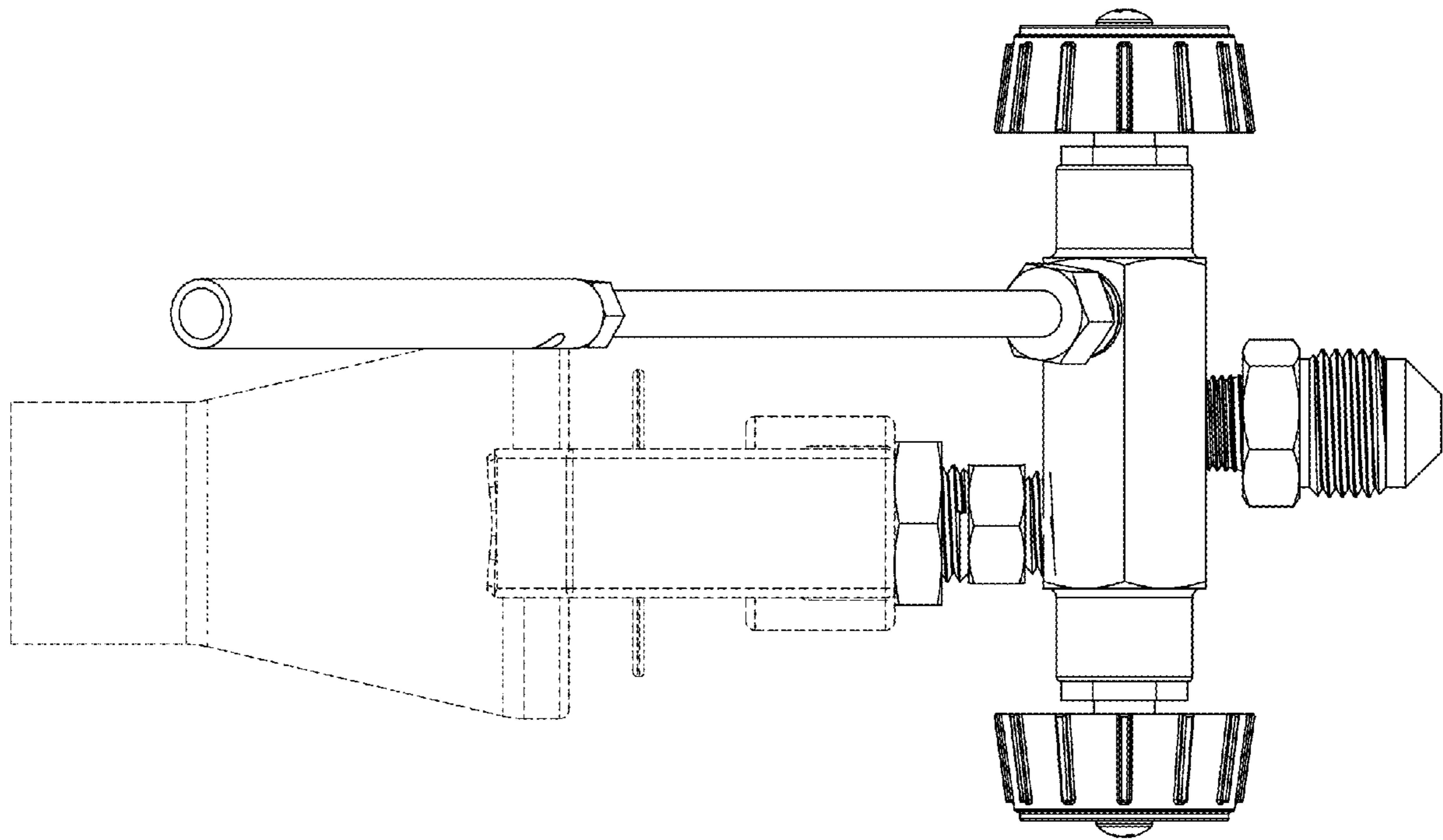


Fig. 3

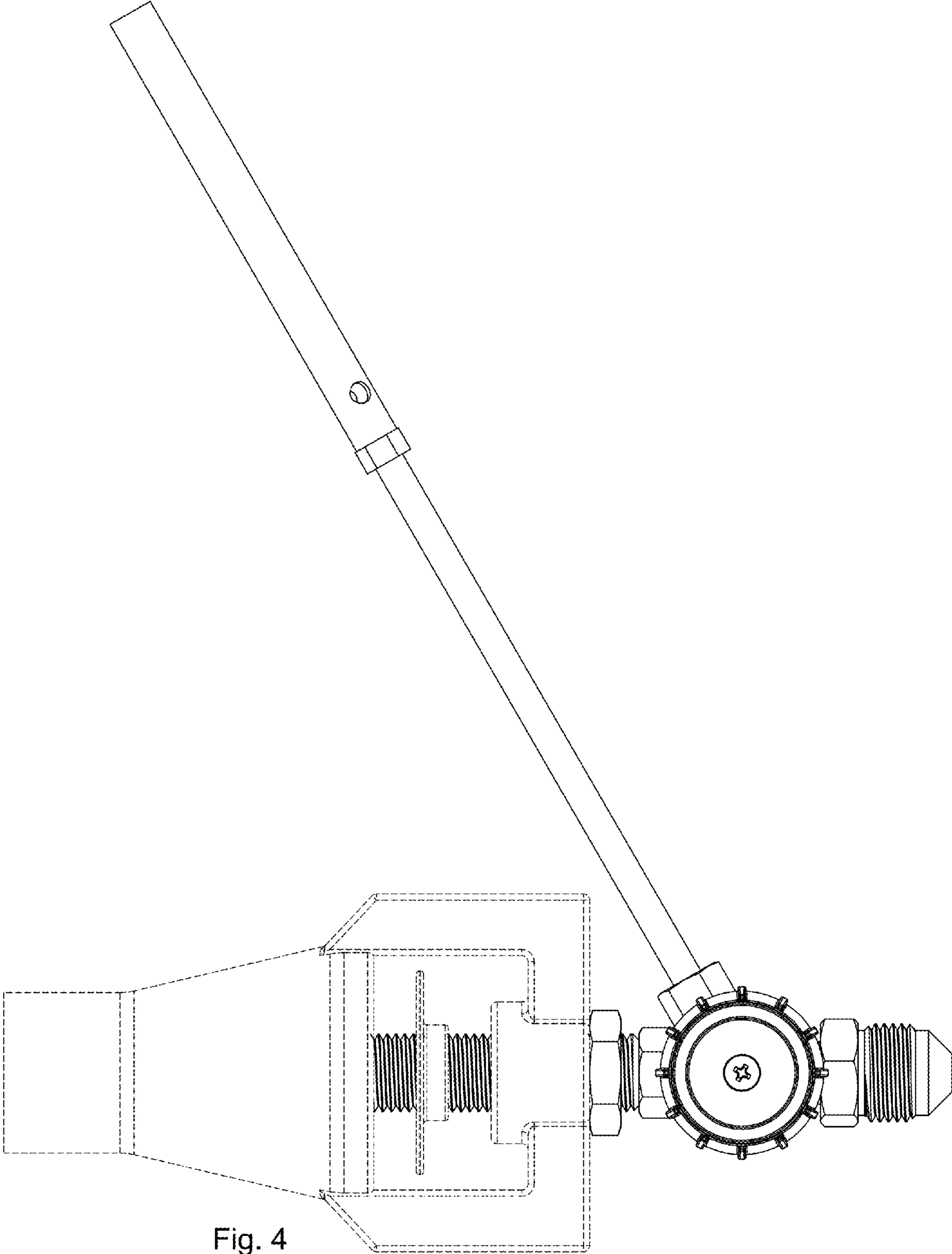


Fig. 4

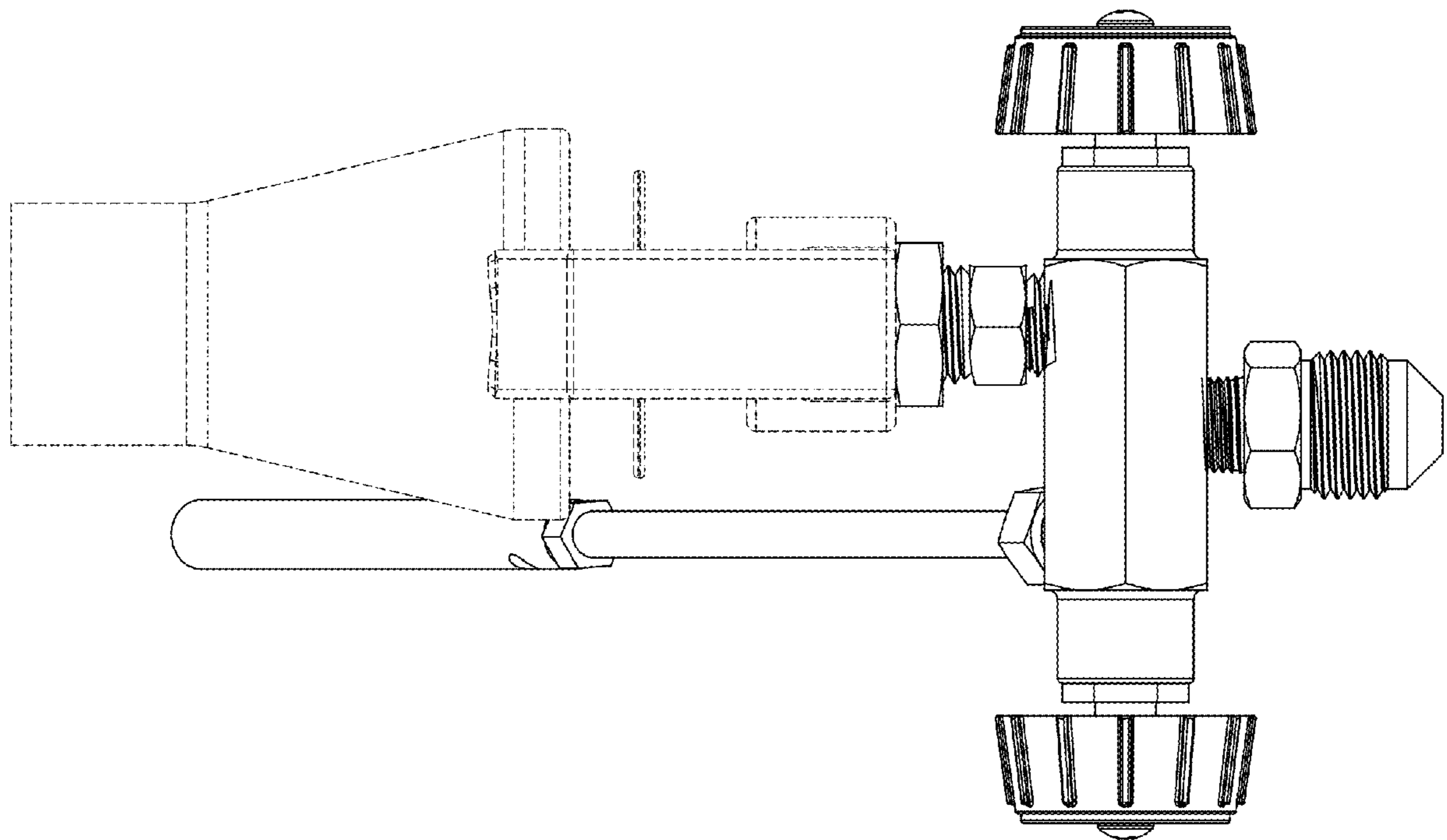


Fig. 5

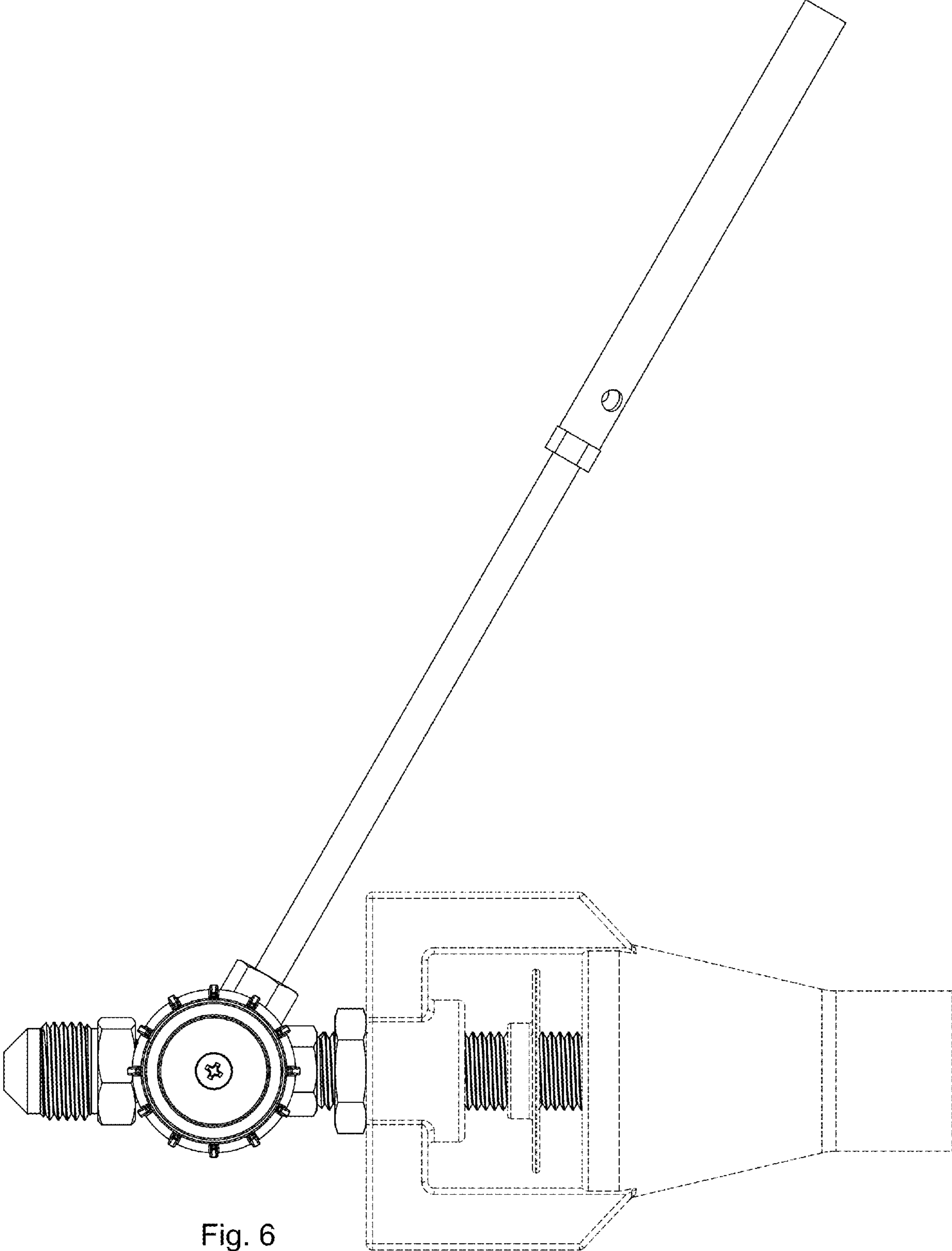


Fig. 6

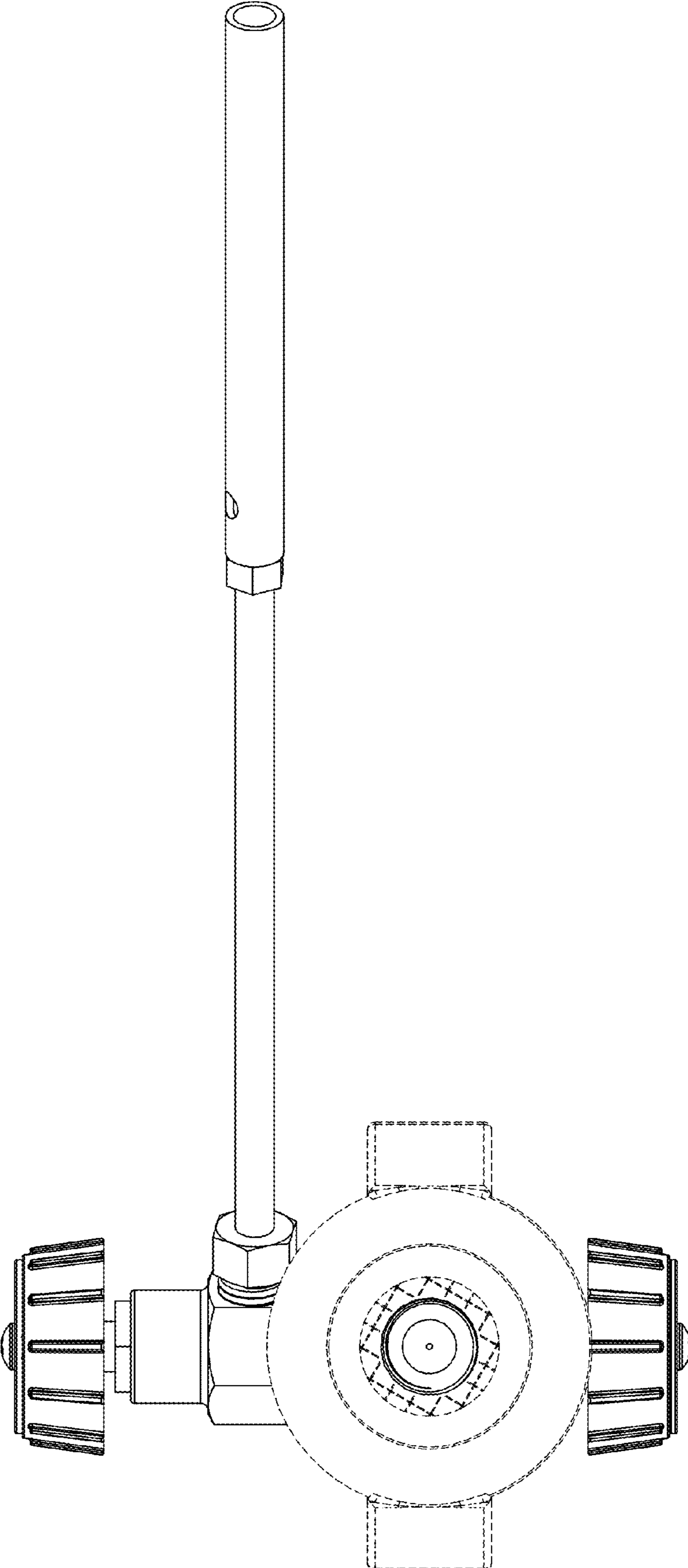


Fig. 7



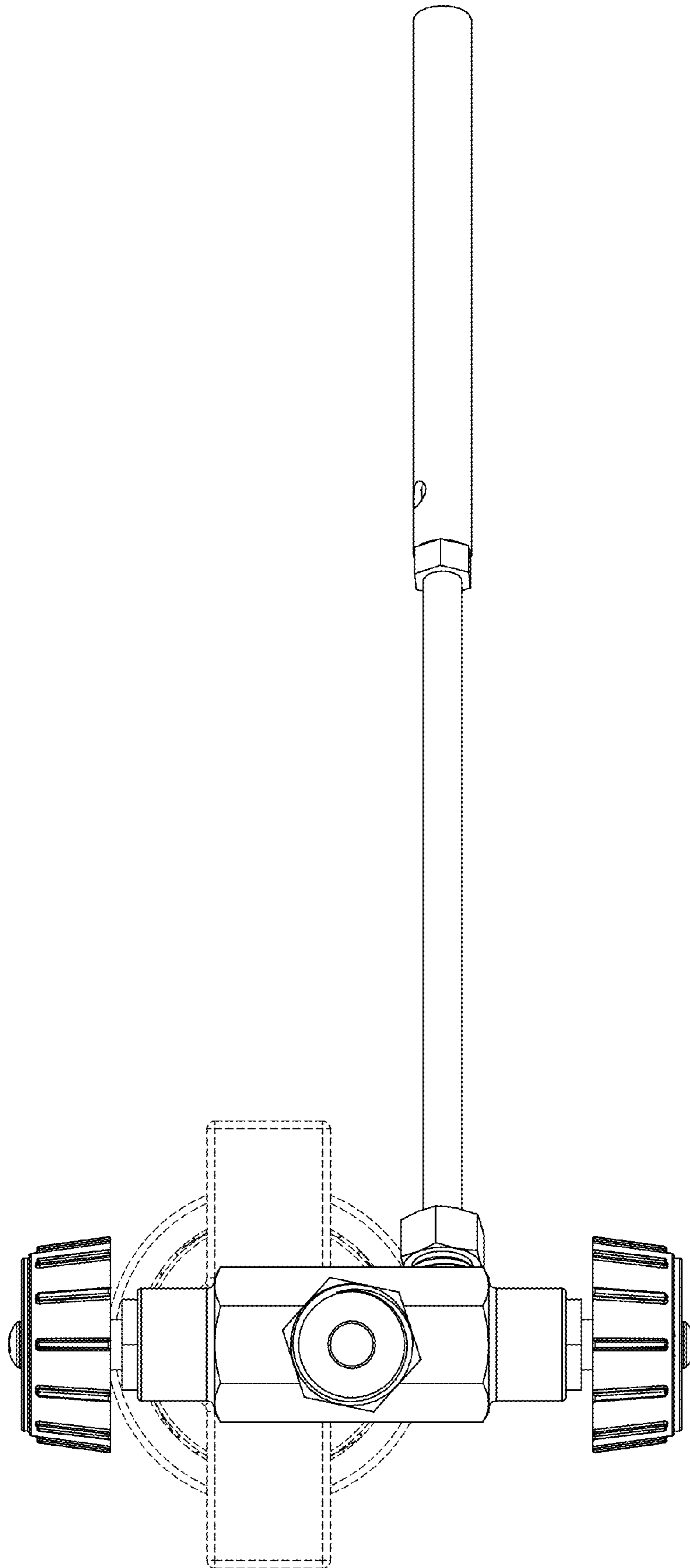


Fig. 8

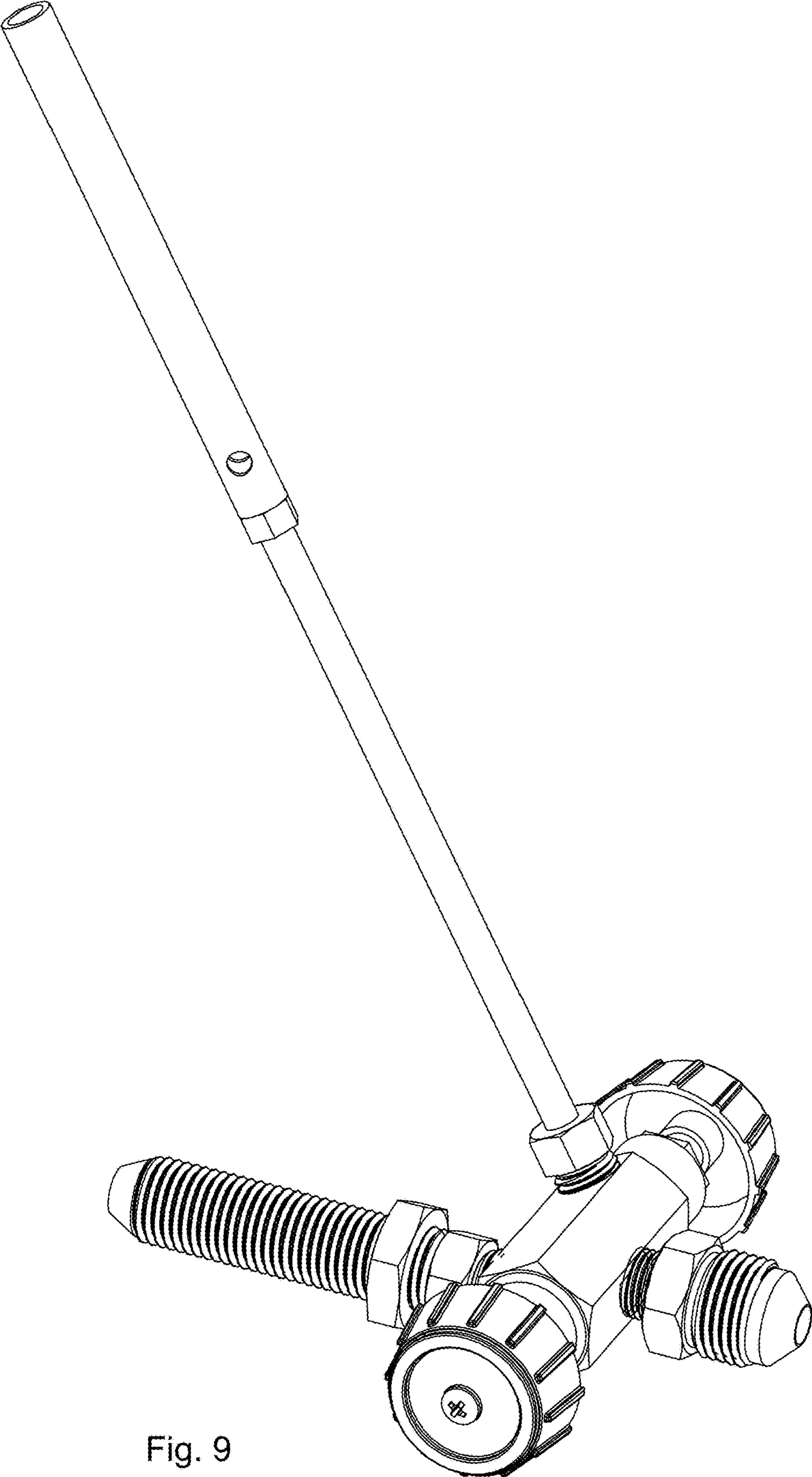


Fig. 9