



US00D909537S

(12) **United States Design Patent**
Yoshimura et al.

(10) **Patent No.:** **US D909,537 S**

(45) **Date of Patent:** **** Feb. 2, 2021**

(54) **ELECTROMAGNETIC VALVE**

(56) **References Cited**

(71) Applicant: **SMC CORPORATION**, Chiyoda-ku
(JP)

U.S. PATENT DOCUMENTS

(72) Inventors: **Shinichi Yoshimura**, Moriya (JP);
Minchiko Mita, Joso (JP); **Seietsu**
Sumiyoshi, Moriya (JP); **Naoyuki**
Maeda, Ushiku (JP); **Tomoaki Tagami**,
Kashiwa (JP)

D437,030 S *	1/2001	Sato	D23/233
D599,890 S *	9/2009	Yoshimura	D23/233
D621,477 S *	8/2010	Miyazoe	D23/233
D621,910 S *	8/2010	Miyazoe	D23/233
D846,075 S *	4/2019	Sato	D23/235
D888,200 S *	6/2020	Nakayama	D23/233

* cited by examiner

(73) Assignee: **SMC CORPORATION**, Chiyoda-ku
(JP)

Primary Examiner — Gino Colan

(74) *Attorney, Agent, or Firm* — Obion, McClelland,
Maier & Neustadt, L.L.P.

(**) Term: **15 Years**

(57) **CLAIM**

(21) Appl. No.: **29/715,068**

The ornamental design for an electromagnetic valve, as
shown and described.

(22) Filed: **Nov. 27, 2019**

DESCRIPTION

(30) **Foreign Application Priority Data**

Jun. 14, 2019 (JP) 2019-013155

(51) **LOC (13) Cl.** **23-01**

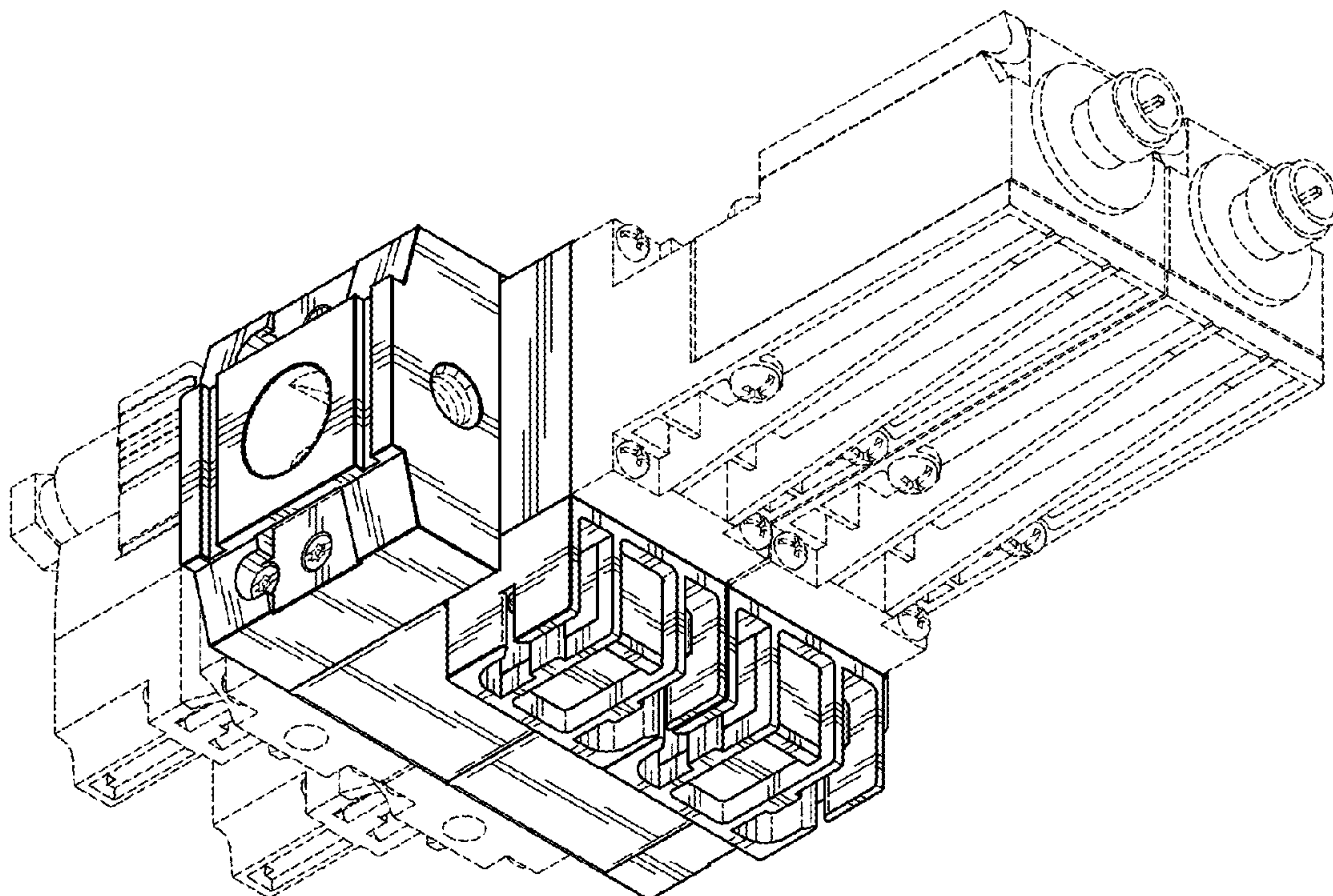
(52) **U.S. Cl.**
USPC **D23/233**

(58) **Field of Classification Search**
USPC D23/233, 235; 137/884, 597, 606,
137/625.64, 883, 596.16, 602, 605, 554,
137/560, 271
CPC .. F16K 31/0675; F16K 27/029; F16K 27/048;
F16K 31/082; F16K 11/24; F16K
27/0263; F16K 27/003; F16K 31/0634;
F02M 63/0017; F02M 51/061

FIG. 1 is a front, bottom, and right side perspective view of
a an electromagnetic valve;
FIG. 2 is a rear, top, and left side view thereof;
FIG. 3 is a front elevational view thereof;
FIG. 4 is a rear elevational view thereof,
FIG. 5 is a top plan view thereof;
FIG. 6 is a bottom plan view thereof;
FIG. 7 is a left side elevational view thereof; and,
FIG. 8 is a right side elevational view thereof.
The broken lines shown in the figures are for the purpose of
illustrating portions of the electromagnetic valve that form
no part of the claimed design.

See application file for complete search history.

1 Claim, 8 Drawing Sheets



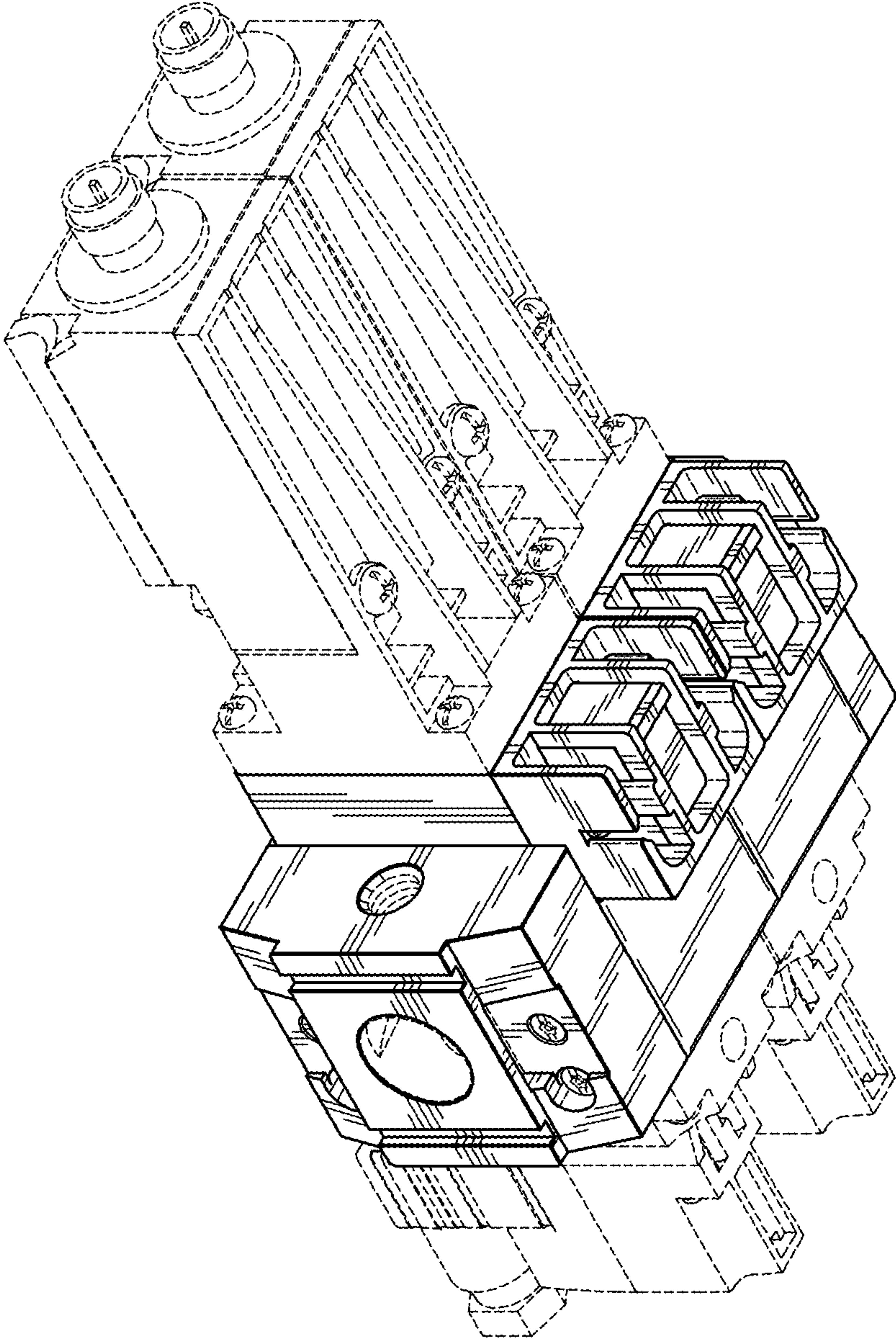


FIG. 1

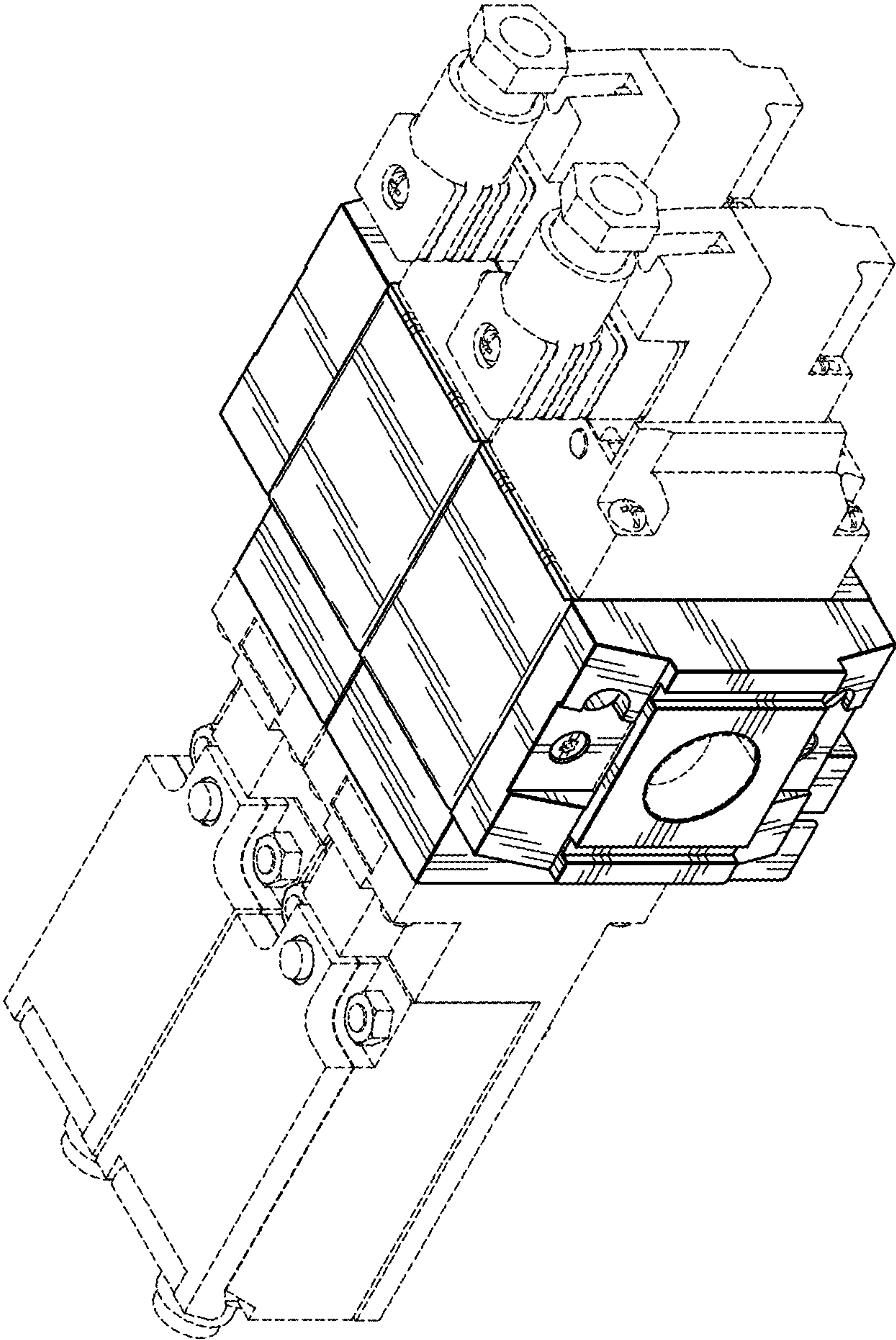


FIG. 2

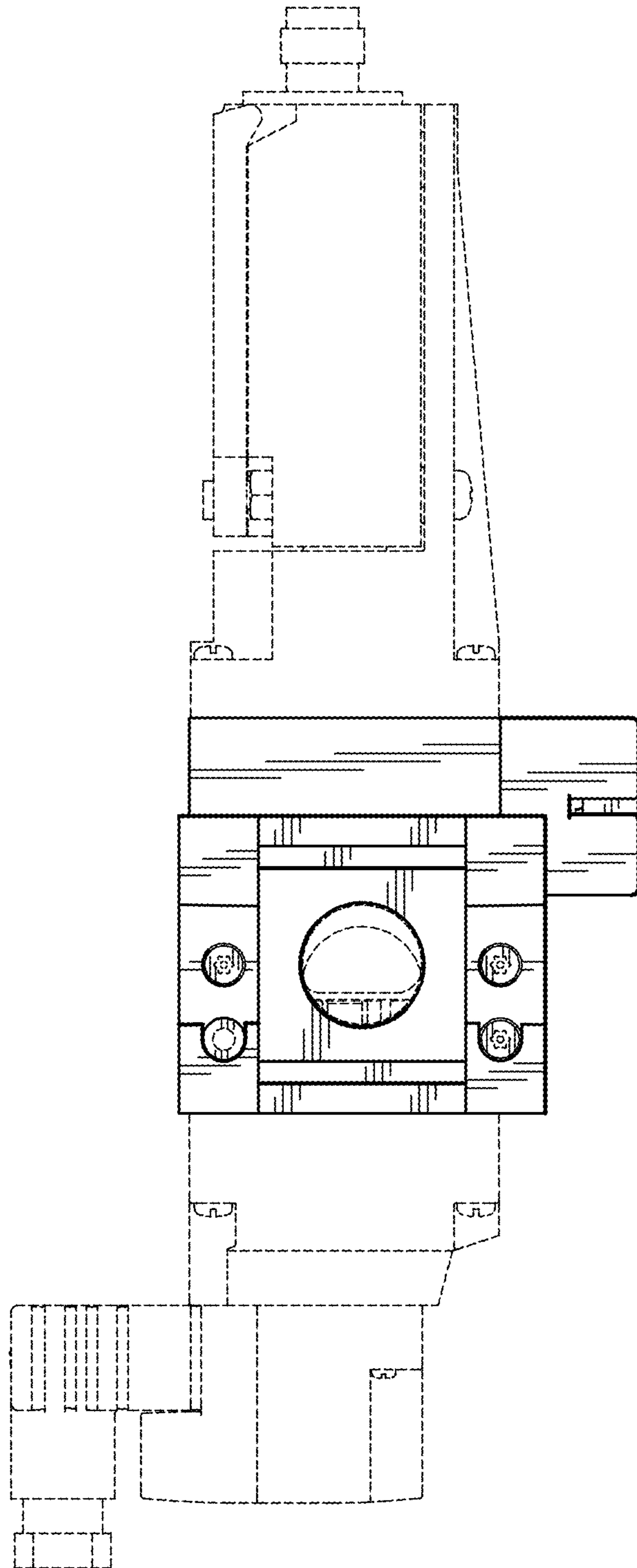


FIG. 3

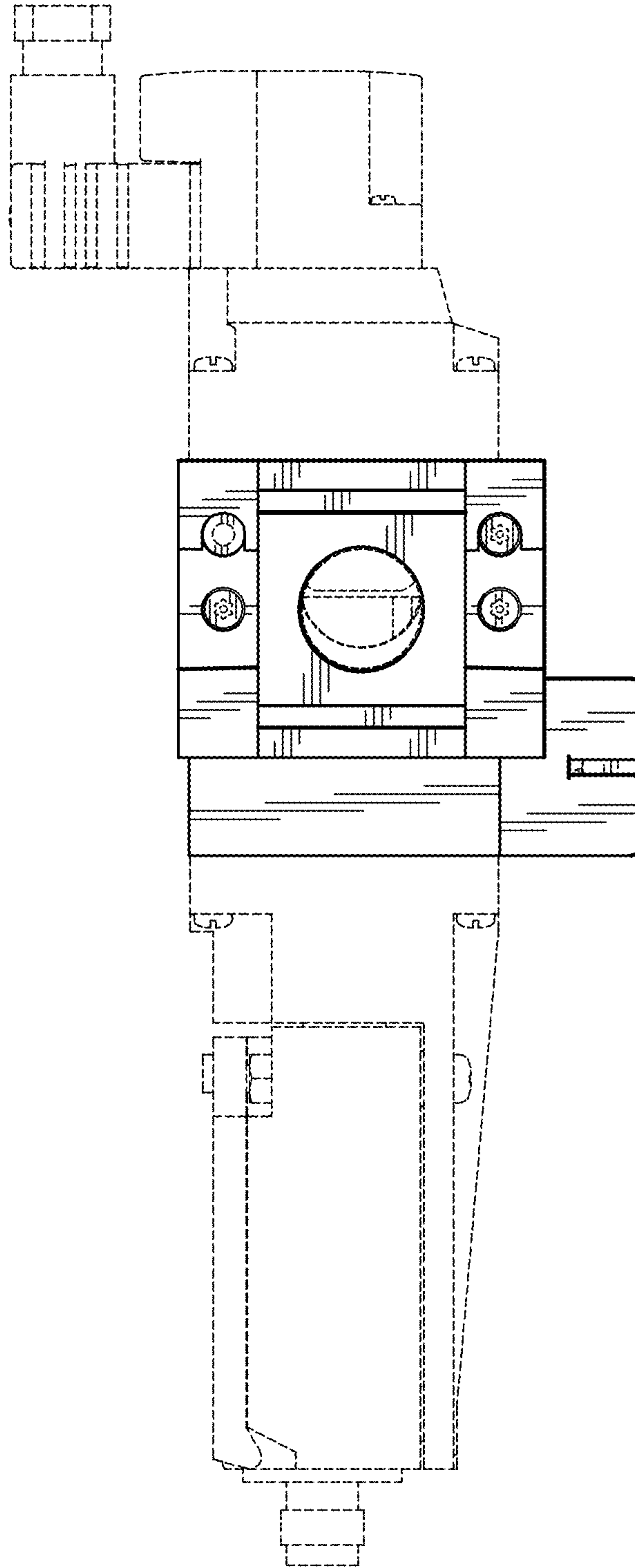


FIG. 4

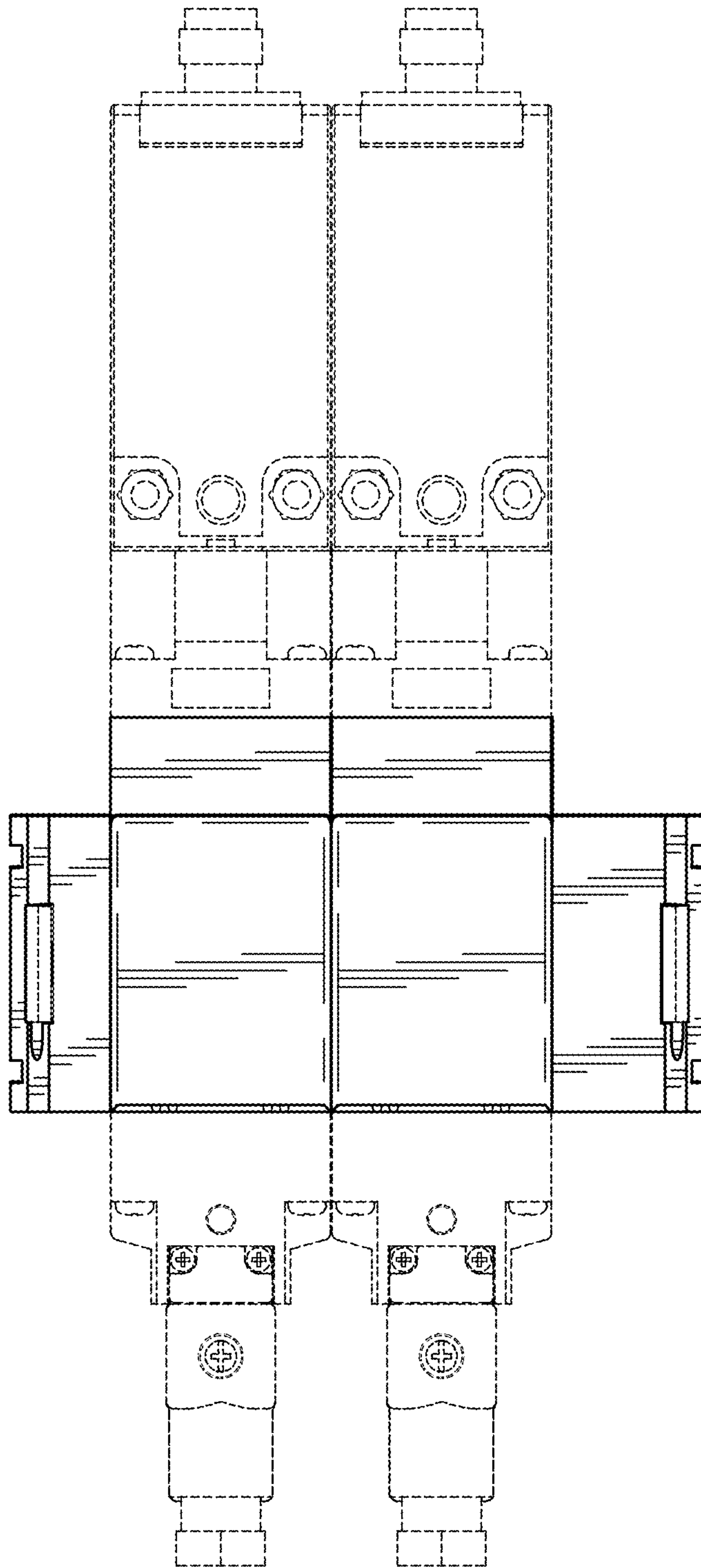


FIG. 5

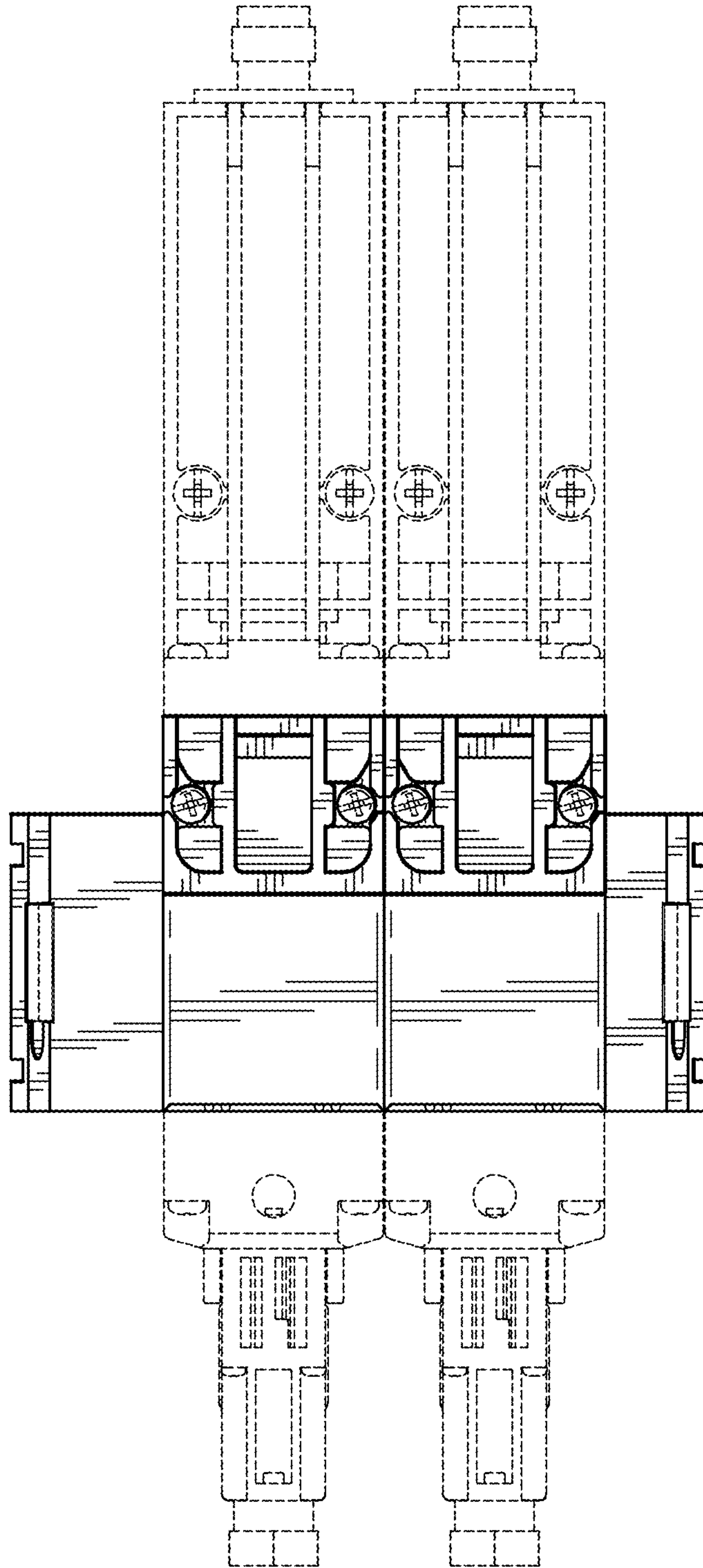


FIG. 6

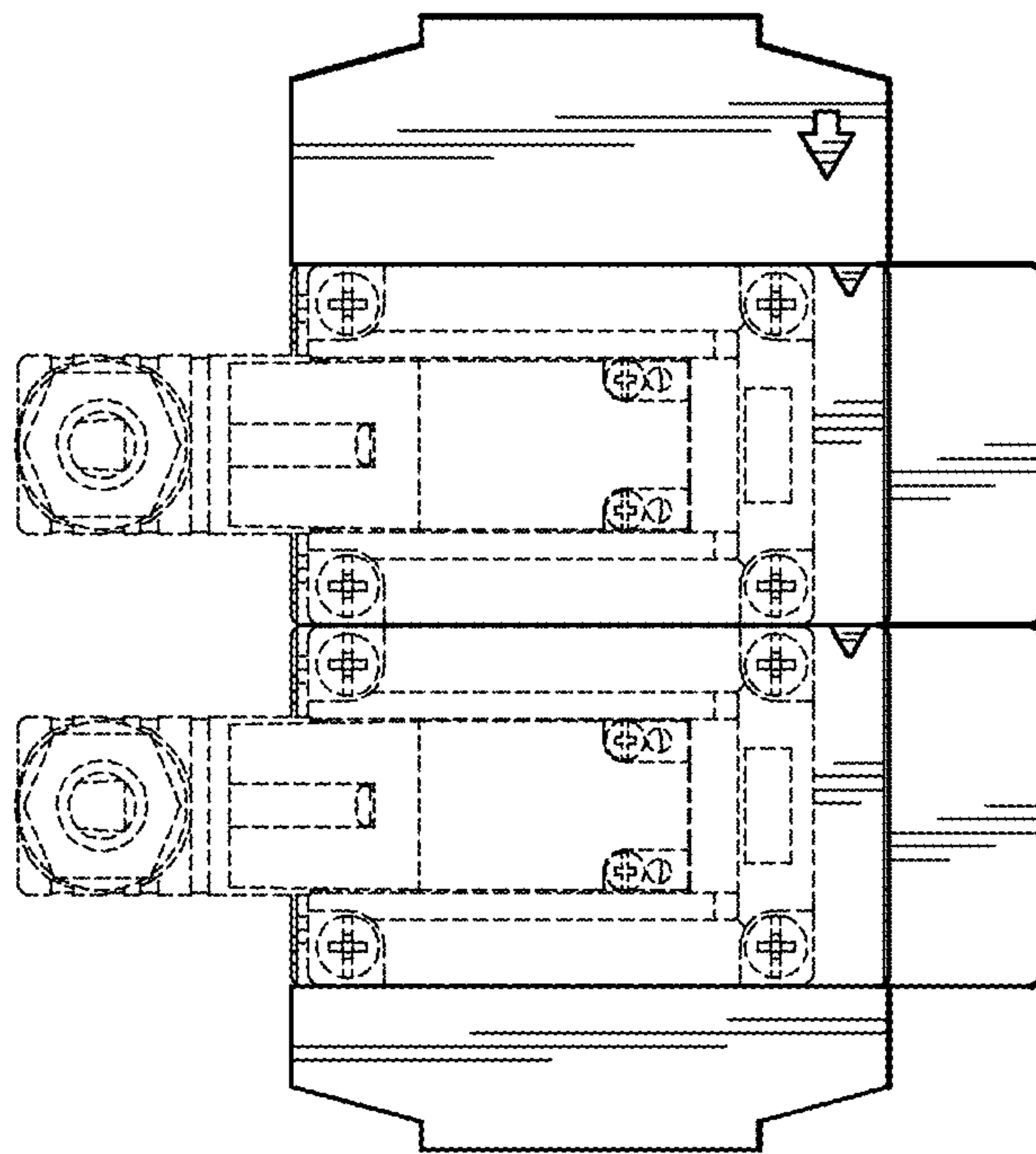


FIG. 7

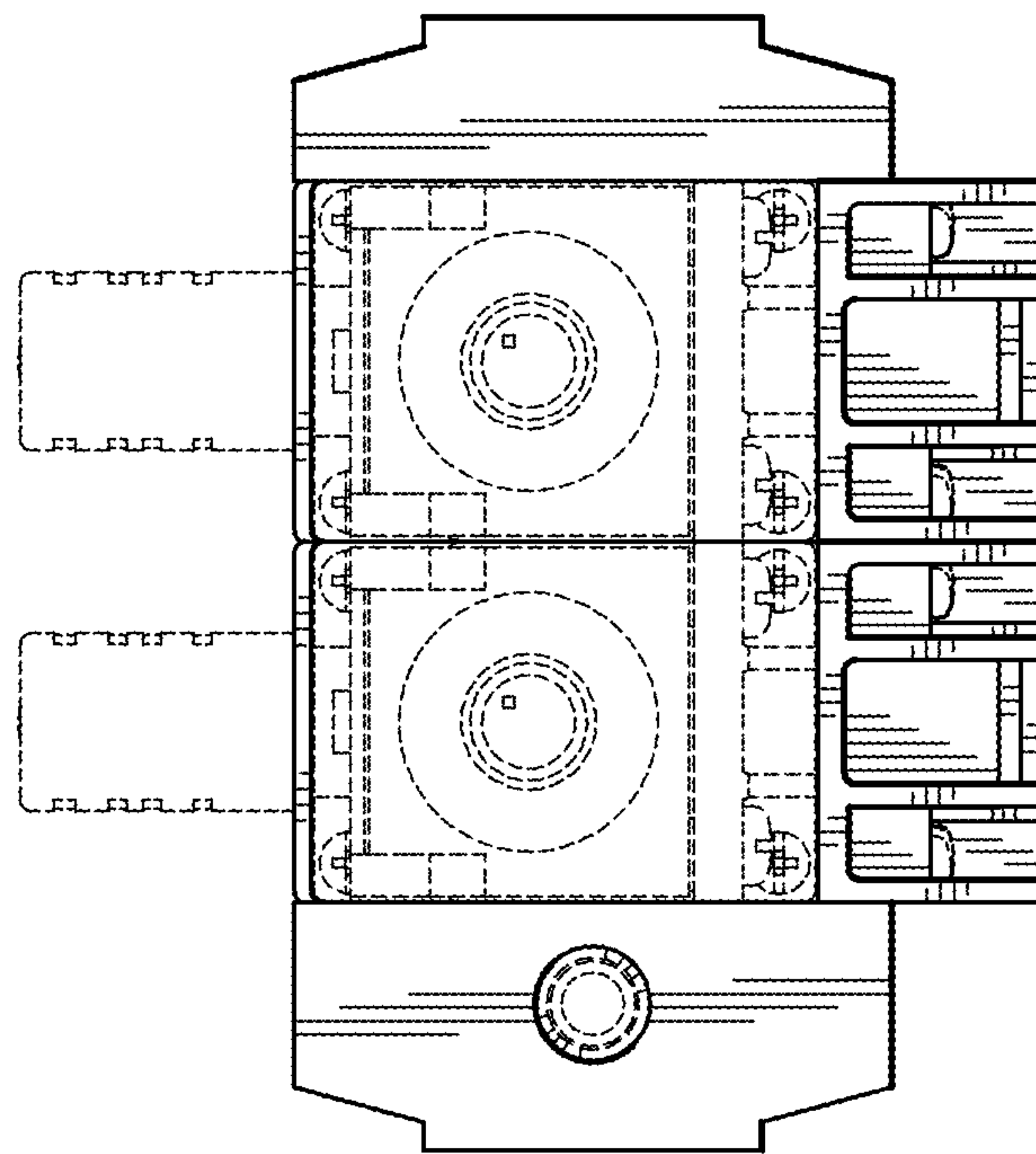


FIG. 8