



US00D909534S

(12) **United States Design Patent**  
**Glaser**

(10) **Patent No.:** **US D909,534 S**

(45) **Date of Patent:** **\*\* Feb. 2, 2021**

(54) **VALVE MANIFOLD**

(71) Applicant: **HAWE Hydraulik SE**, Aschheim (DE)

(72) Inventor: **Johannes Glaser**, Aschheim (DE)

(73) Assignee: **HAWE Hydraulik SE**, Aschheim (DE)

(\*\*) Term: **15 Years**

(21) Appl. No.: **29/670,632**

(22) Filed: **Nov. 18, 2018**

(30) **Foreign Application Priority Data**

Sep. 10, 2018 (EM) ..... 005 634 466-0002

(51) **LOC (13) Cl.** ..... **23-01**

(52) **U.S. Cl.**  
USPC ..... **D23/233**

(58) **Field of Classification Search**  
USPC ..... D23/233, 249; 137/884, 597, 606;  
D15/5, 7  
CPC ..... F16K 27/003; F16K 1/126; F16K 11/22;  
F16K 27/0263; F15B 13/0814; F15B  
13/0807; F15B 13/0817; F15B 2013/002;  
F15B 13/0842; F15B 2013/006  
See application file for complete search history.

(56) **References Cited**

**U.S. PATENT DOCUMENTS**

D521,597 S \* 5/2006 Nimberger ..... D23/233  
D578,549 S \* 10/2008 Nimberger ..... D15/5

D615,619 S \* 5/2010 Roys ..... D23/233  
8,322,380 B2 \* 12/2012 Taskar ..... F16L 41/03  
137/884  
D705,817 S \* 5/2014 Bayyouk ..... D15/7  
D706,397 S \* 6/2014 Hawes ..... D23/233  
D731,620 S \* 6/2015 Galle ..... D23/233  
10,655,773 B2 \* 5/2020 Lee ..... F16K 11/10  
2003/0155025 A1 \* 8/2003 Camozzi ..... F16K 27/003  
137/884

\* cited by examiner

*Primary Examiner* — Gino Colan

(74) *Attorney, Agent, or Firm* — Aslan Law, P.C.

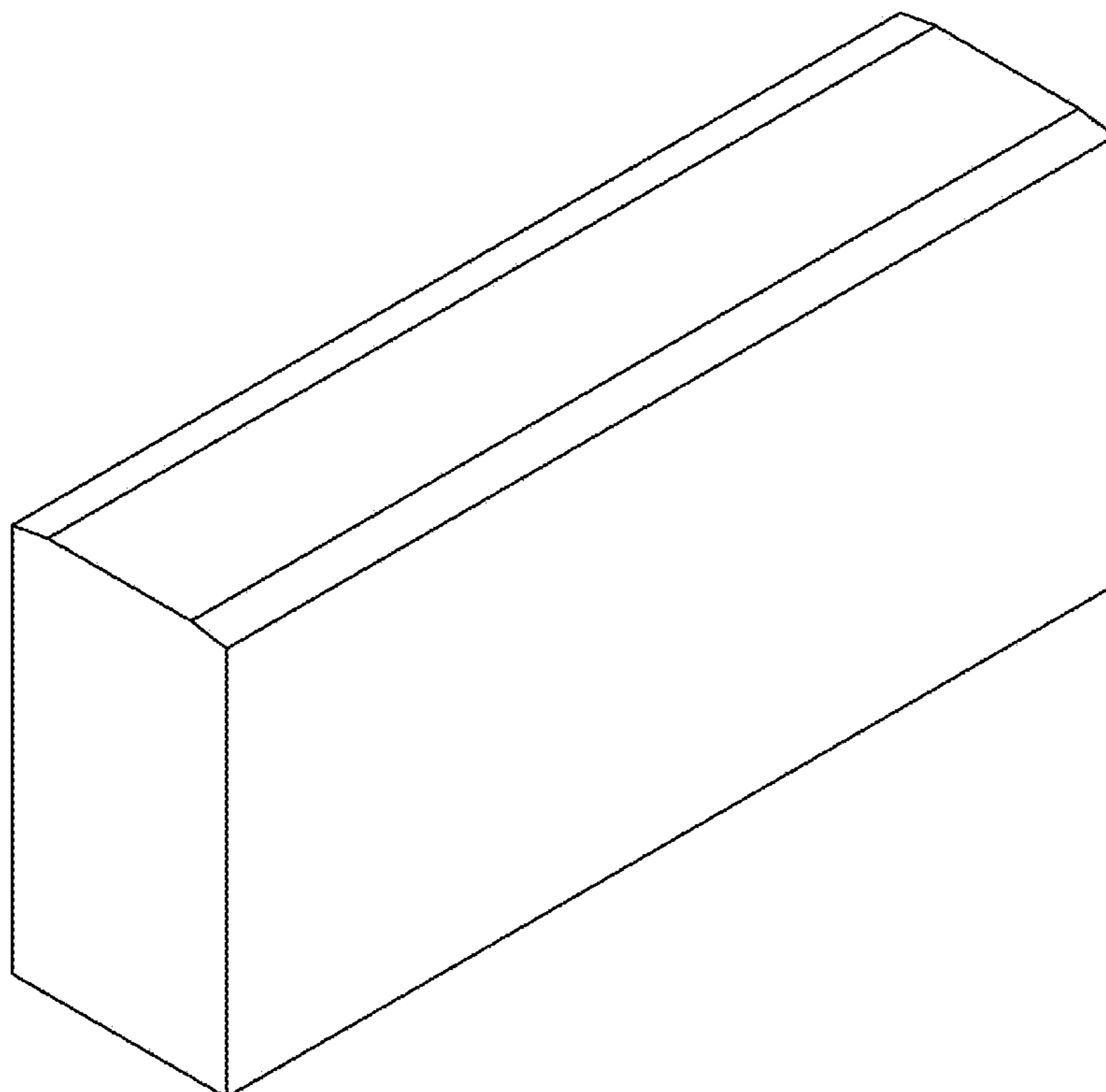
(57) **CLAIM**

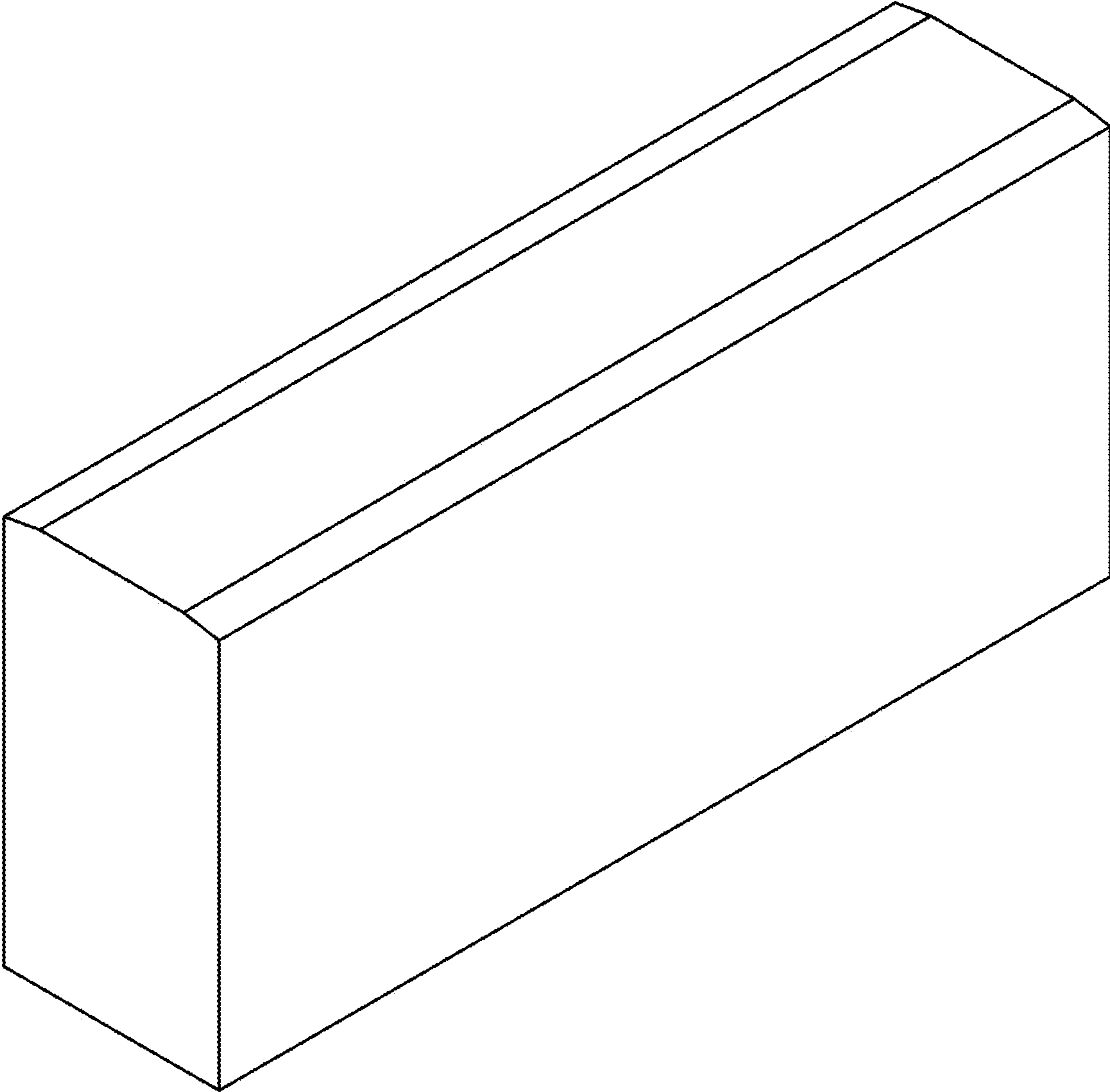
The ornamental design for a valve manifold, as shown and described.

**DESCRIPTION**

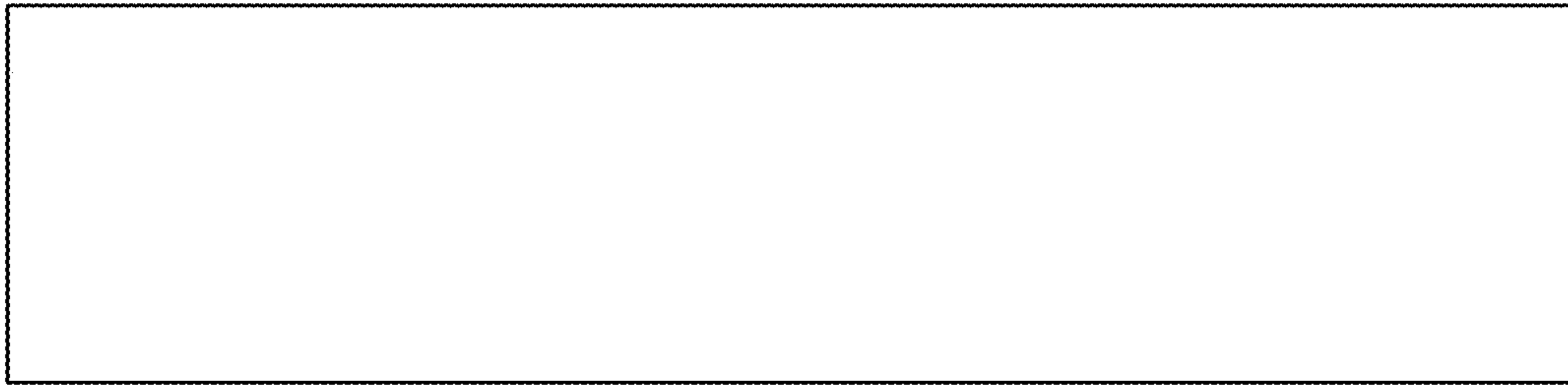
FIG. 1 is a perspective view of a valve manifold showing my new design;  
FIG. 2 is a bottom view thereof;  
FIG. 3 is a front view thereof;  
FIG. 4 is a rear view thereof;  
FIG. 5 is a first side view thereof;  
FIG. 6 is a second side view thereof; and,  
FIG. 7 is a top view thereof.

**1 Claim, 7 Drawing Sheets**

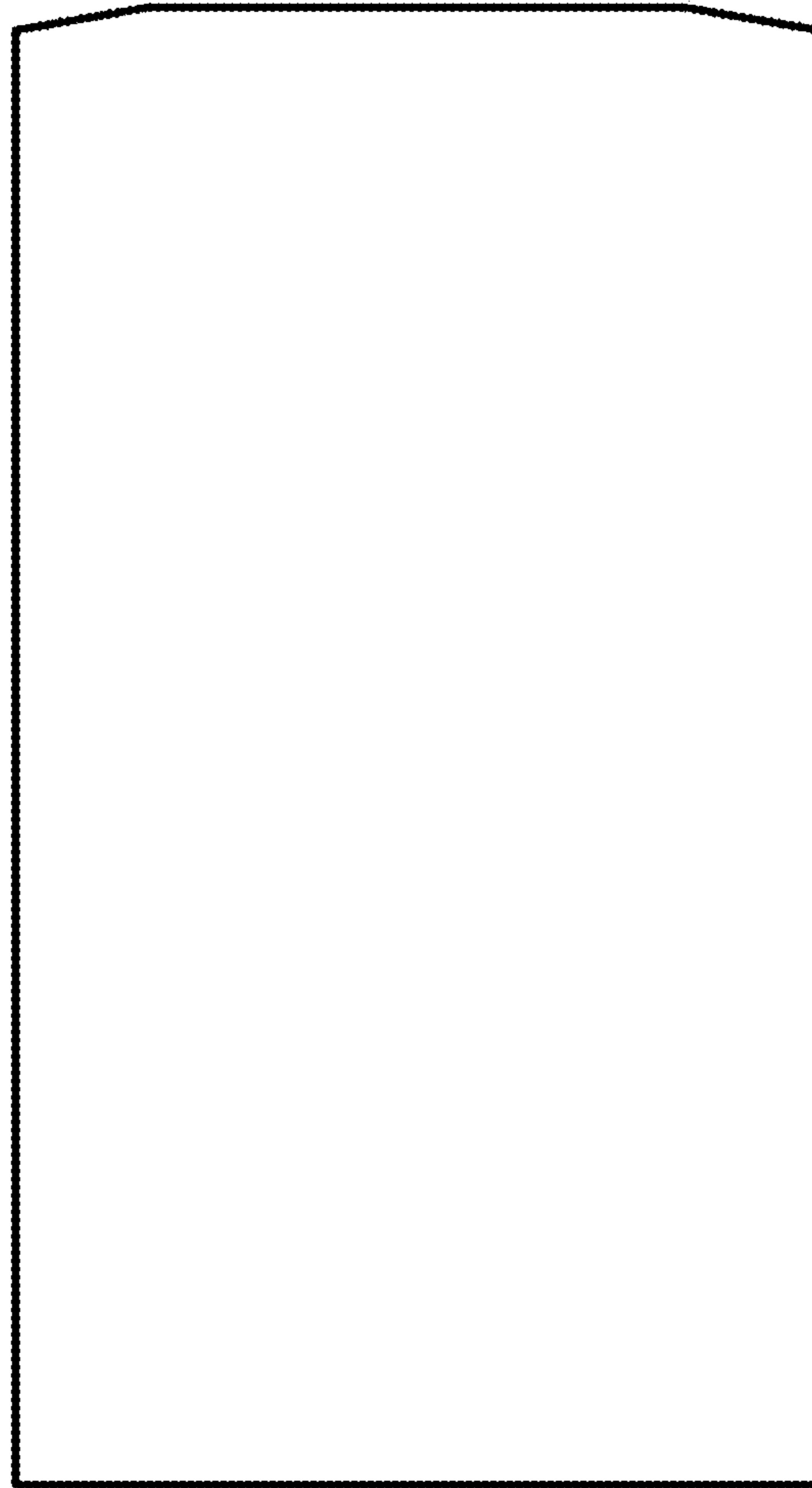




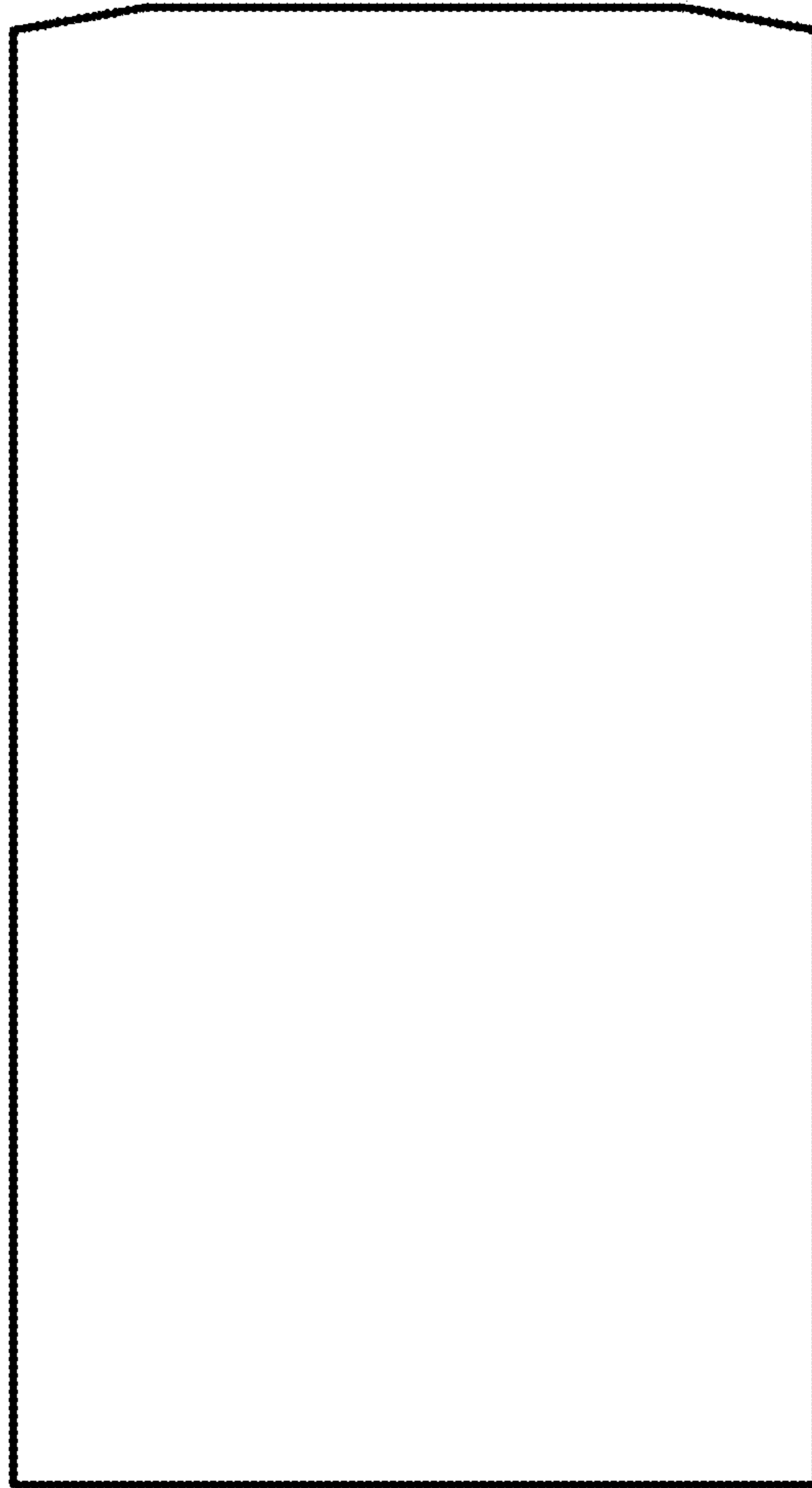
**FIG. 1**



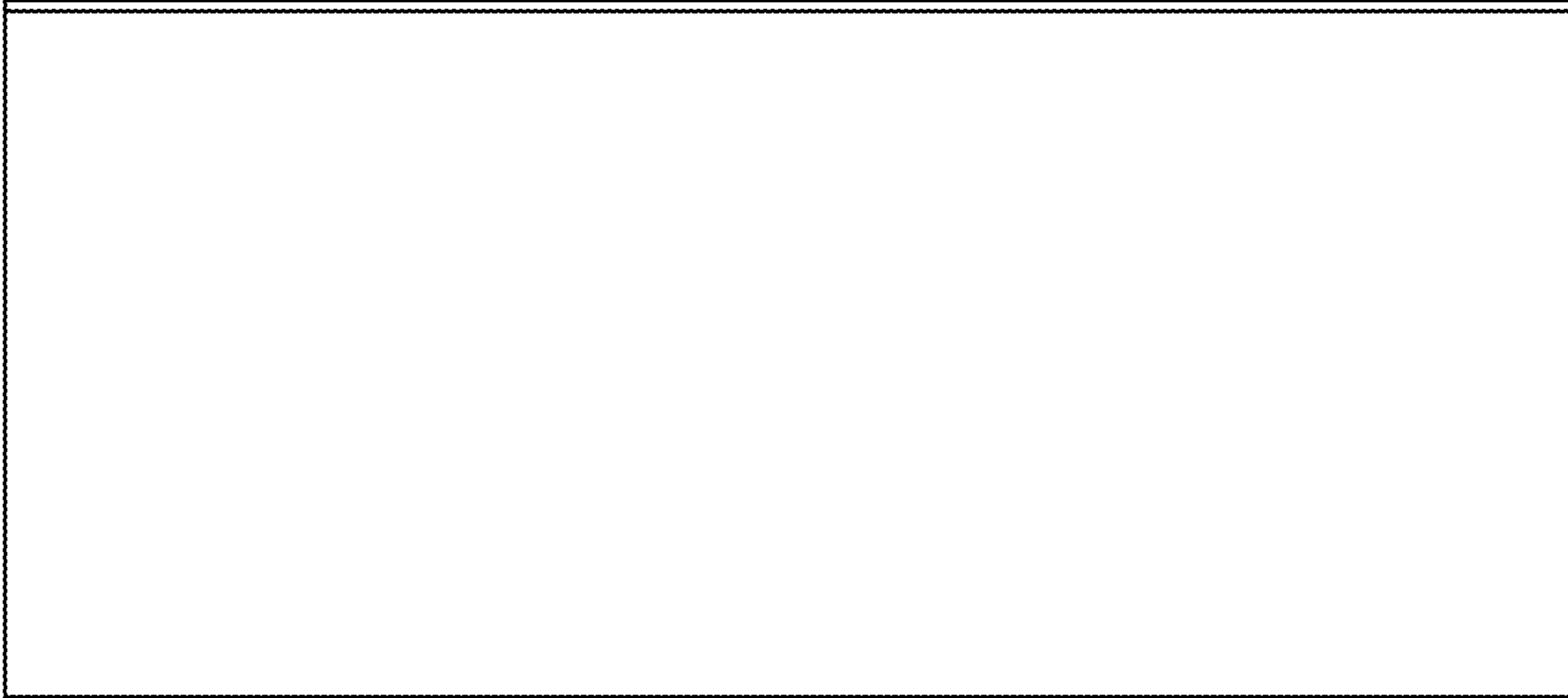
**FIG. 2**



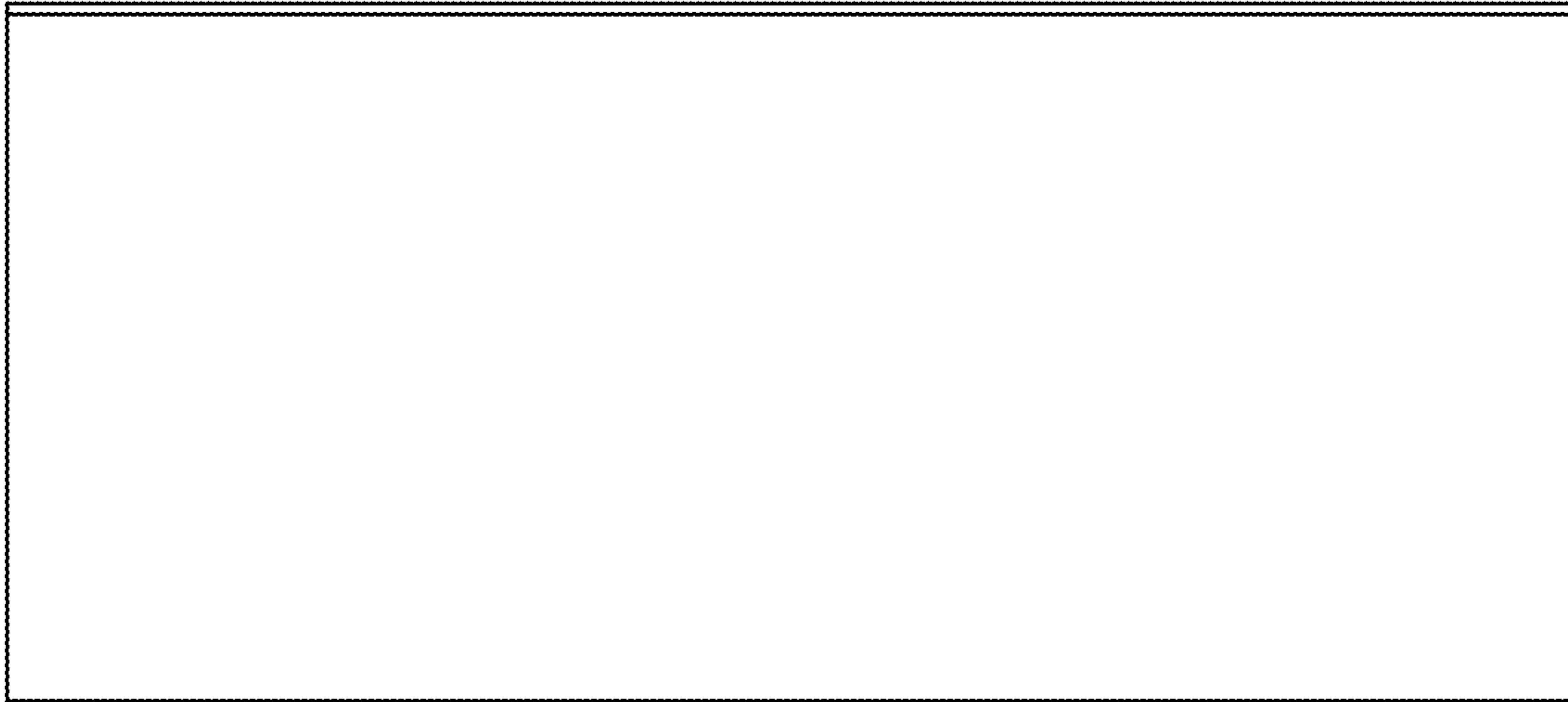
**FIG. 3**



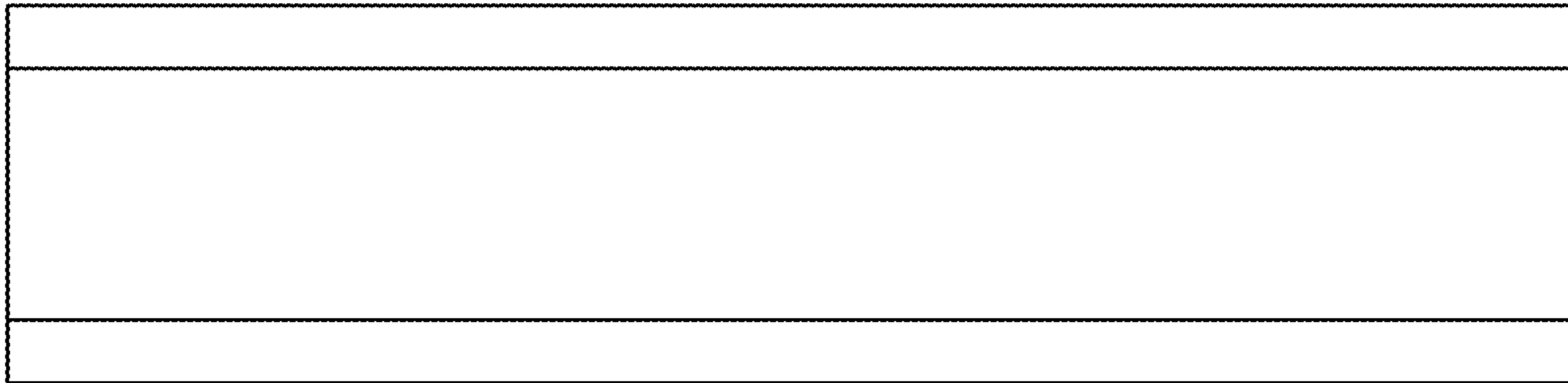
**FIG. 4**



**FIG. 5**



**FIG. 6**



**FIG. 7**