



US00D909532S

(12) **United States Design Patent**  
**Burgdorf**

(10) **Patent No.:** **US D909,532 S**

(45) **Date of Patent:** **\*\* Feb. 2, 2021**

(54) **NOZZLE**

(71) Applicant: **Armaturenwerk Hoetensleben GmbH**,  
Hoetensleben (DE)

(72) Inventor: **Aldo Burgdorf**, Voelpke (DE)

(73) Assignee: **Armaturenwerk Hoetensleben GmbH**

(\*\*) Term: **15 Years**

(21) Appl. No.: **29/686,026**

(22) Filed: **Apr. 2, 2019**

(30) **Foreign Application Priority Data**

Dec. 11, 2018 (EP) ..... 005879129-0002

(51) **LOC (13) Cl.** ..... **23-01**

(52) **U.S. Cl.**  
USPC ..... **D23/213**

(58) **Field of Classification Search**  
USPC ..... D23/213, 214, 215, 223, 224, 226, 229,  
D23/230, 259

CPC ..... A61H 9/0021; A61H 33/00; B05B 1/00;  
B05B 1/14; B05B 1/185; B05B 1/08;  
B05B 1/02; B05B 1/26; B05B 12/002;  
B05B 1/18; B05B 9/01  
See application file for complete search history.

(56) **References Cited**

**U.S. PATENT DOCUMENTS**

D221,651 S \* 8/1971 Napper ..... D23/259  
D229,496 S \* 12/1973 Hand ..... D23/262  
4,827,539 A \* 5/1989 Kiziah ..... E03D 11/16  
285/303  
4,899,938 A \* 2/1990 Havrilla, Jr. .... B05B 7/0815  
239/294  
D319,291 S \* 8/1991 Hanzel ..... D23/212  
D349,758 S \* 8/1994 Hallbach ..... D23/259

D364,916 S \* 12/1995 Hallbach ..... D23/259  
5,799,364 A \* 9/1998 Foisy ..... A47L 5/24  
15/338  
D402,354 S \* 12/1998 Strong ..... D23/259  
5,996,134 A \* 12/1999 Senninger ..... E03D 11/16  
138/96 R  
D418,590 S \* 1/2000 Tracy ..... D23/213  
D439,636 S \* 3/2001 Hamilton ..... D23/213  
6,435,567 B2 \* 8/2002 Kikumori ..... F16L 25/0036  
285/319  
D462,256 S \* 9/2002 Jaynes ..... D12/160  
6,499,771 B1 \* 12/2002 Snyder, Sr. .... F16L 37/0915  
285/319  
D574,931 S \* 8/2008 Hughes ..... D23/262  
D595,420 S \* 6/2009 Suzuki ..... D24/227  
D595,421 S \* 6/2009 Suzuki ..... D24/227  
D595,863 S \* 7/2009 Suzuki ..... D24/227

(Continued)

*Primary Examiner* — Manpreet S Matharu

*Assistant Examiner* — Keith J Wilson

(74) *Attorney, Agent, or Firm* — Gerald E. Hespos;  
Michael J. Porco; Matthew T. Hespos

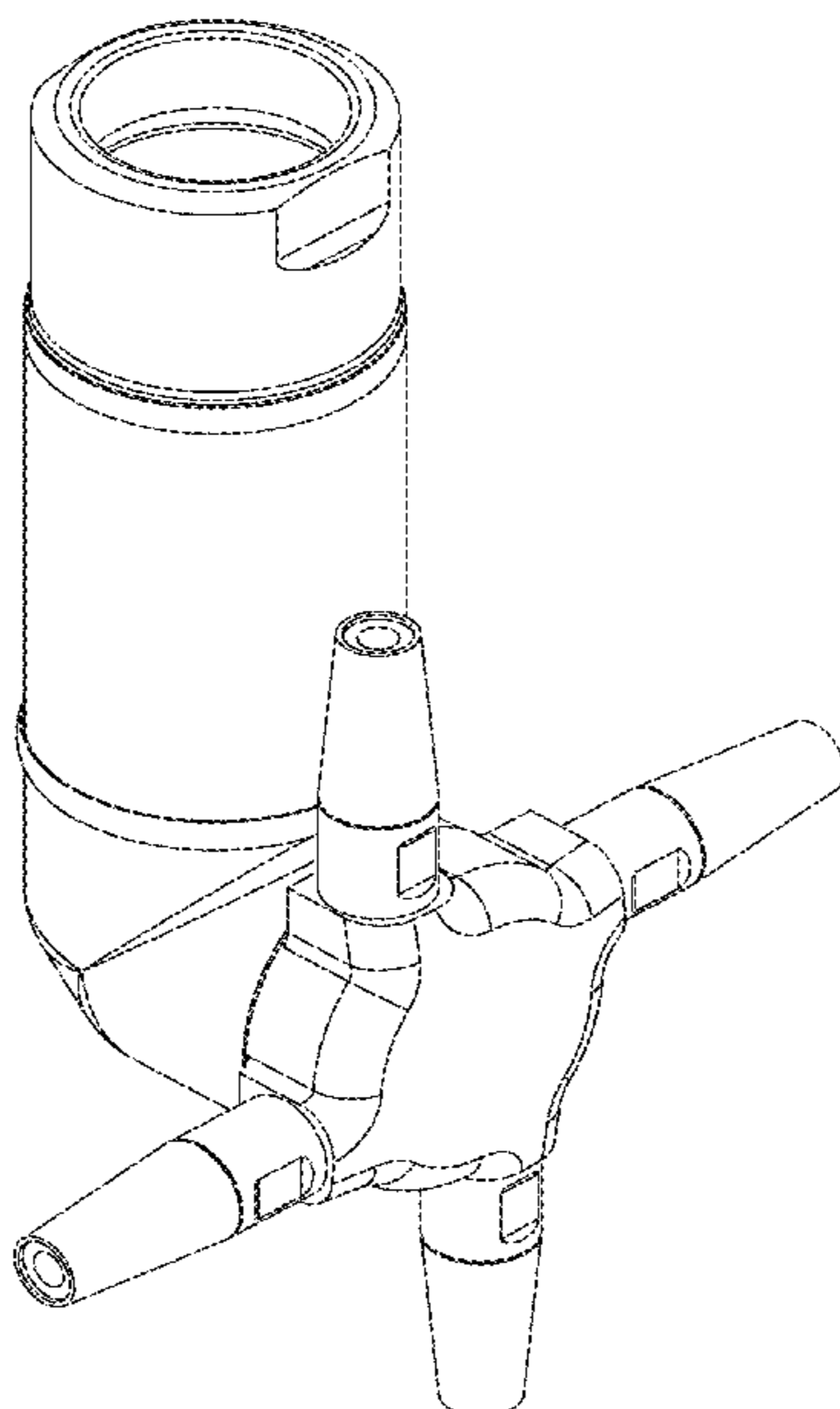
(57) **CLAIM**

The ornamental design for a nozzle, as shown and described.

**DESCRIPTION**

FIG. 1 is a perspective view of a nozzle in accordance with my design;  
FIG. 2 is a side elevational view of the nozzle taken from the right side of FIG. 1;  
FIG. 3 is a front elevational view thereof;  
FIG. 4 is a side elevational view of the nozzle taken from the left side of FIG. 1;  
FIG. 5 is a rear elevational view thereof;  
FIG. 6 is a top plan view thereof; and,  
FIG. 7 is a bottom plan view thereof.  
The broken lines shown represent portions of a nozzle and form no part of the claimed design.

**1 Claim, 7 Drawing Sheets**



(56)

References Cited

U.S. PATENT DOCUMENTS

D627,432 S *	11/2010	Escoto, Jr. ....	B05B 7/066	D23/213	D852,934 S *	7/2019	Habres .....	D23/259
D638,104 S *	5/2011	Govoni .....	D23/262	D23/259	D855,781 S *	8/2019	Delancey .....	D23/259
D646,762 S *	10/2011	Terry .....	D23/259	D23/259	D857,179 S *	8/2019	Thompson .....	D23/259
D670,786 S *	11/2012	Mauchle .....	D23/213	D23/259	D859,604 S *	9/2019	Dagdelen .....	D23/259
8,474,878 B2 *	7/2013	Richter .....	F16B 2/246	D23/259	D861,054 S *	9/2019	Avila .....	D15/199
D689,590 S *	9/2013	Brose .....	D23/213	D23/259	D865,919 S *	11/2019	Lippka .....	D23/262
D704,312 S *	5/2014	Kuo .....	D23/259	D23/259	D868,112 S *	11/2019	Tsuji .....	D15/5
D717,405 S *	11/2014	Coronado .....	D23/259	D23/259	2003/0062428 A1 *	4/2003	Baasch .....	F02M 25/00
D717,406 S *	11/2014	Stanley .....	D23/259	D23/259				239/407
8,910,677 B1 *	12/2014	Carpenter .....	B60K 15/04	D23/259	2004/0080160 A1 *	4/2004	Rief .....	E04H 4/1654
			141/312	D23/259				285/276
D737,410 S *	8/2015	Wyne .....	D23/259	D23/259	2006/0006651 A1 *	1/2006	Watanabe .....	F16L 25/0036
D738,470 S *	9/2015	Eaton .....	F16L 21/08	D23/259				285/247
			D23/259	D23/259	2007/0228727 A1 *	10/2007	Matsuno .....	F16L 37/0985
D782,621 S *	3/2017	Smith .....	D23/259	D23/259				285/305
D784,495 S *	4/2017	Pearson .....	D23/249	D23/259	2012/0325335 A1 *	12/2012	Schalkx .....	F16L 37/2445
9,623,594 B2 *	4/2017	French .....	F16L 21/03	D23/259				137/315.01
D806,833 S *	1/2018	Pearson .....	D23/249	D23/259	2014/0327238 A1 *	11/2014	Bowman .....	F16L 21/08
D813,355 S *	3/2018	Weatherby .....	D23/259	D23/259				285/112
D815,516 S *	4/2018	Karmarkar .....	D8/382	D23/259	2014/0338773 A1 *	11/2014	French .....	F16L 37/1225
D816,811 S *	5/2018	Dagdelen .....	D23/259	D23/259				138/109
D823,443 S *	7/2018	Bancroft .....	D23/262	D23/259	2015/0060577 A1 *	3/2015	Kosovich .....	B05B 13/0627
D830,522 S *	10/2018	Di Liberto .....	D23/259	D23/259				239/587.1
D833,581 S *	11/2018	Atwell .....	D23/259	D23/259	2015/0176728 A1 *	6/2015	Bowman .....	F16L 21/065
D835,756 S *	12/2018	Auxter .....	D23/249	D23/259				285/309
D836,755 S *	12/2018	Dale .....	D23/259	D23/259	2015/0353340 A1 *	12/2015	Gammon .....	B64D 37/00
D844,113 S *	3/2019	Auxter .....	D23/249	D23/259				141/1
D847,309 S *	4/2019	Sugatani .....	D23/259	D23/259	2017/0328500 A1 *	11/2017	Bowman .....	F16L 17/04
D849,890 S *	5/2019	Tempel .....	D23/233	D23/259	2017/0328505 A1 *	11/2017	Sith .....	F16L 37/0915
D851,220 S *	6/2019	Thompson .....	D23/259	D23/259	2017/0334705 A1 *	11/2017	Murugo Perez .....	B67D 7/06
D851,738 S *	6/2019	Ghorbani .....	D23/259	D23/259	2018/0156362 A1 *	6/2018	Takeda .....	B25B 27/10
			D23/259	D23/259	2018/0163905 A1 *	6/2018	Ohnemus .....	F16L 21/005
			D23/259	D23/259	2018/0209567 A1 *	7/2018	Brandt .....	F16L 17/04
			D23/259	D23/259	2018/0304179 A1 *	10/2018	Auxter .....	B01D 27/06
			D23/259	D23/259	2018/0326449 A1 *	11/2018	Dale .....	B05C 17/00513

\* cited by examiner

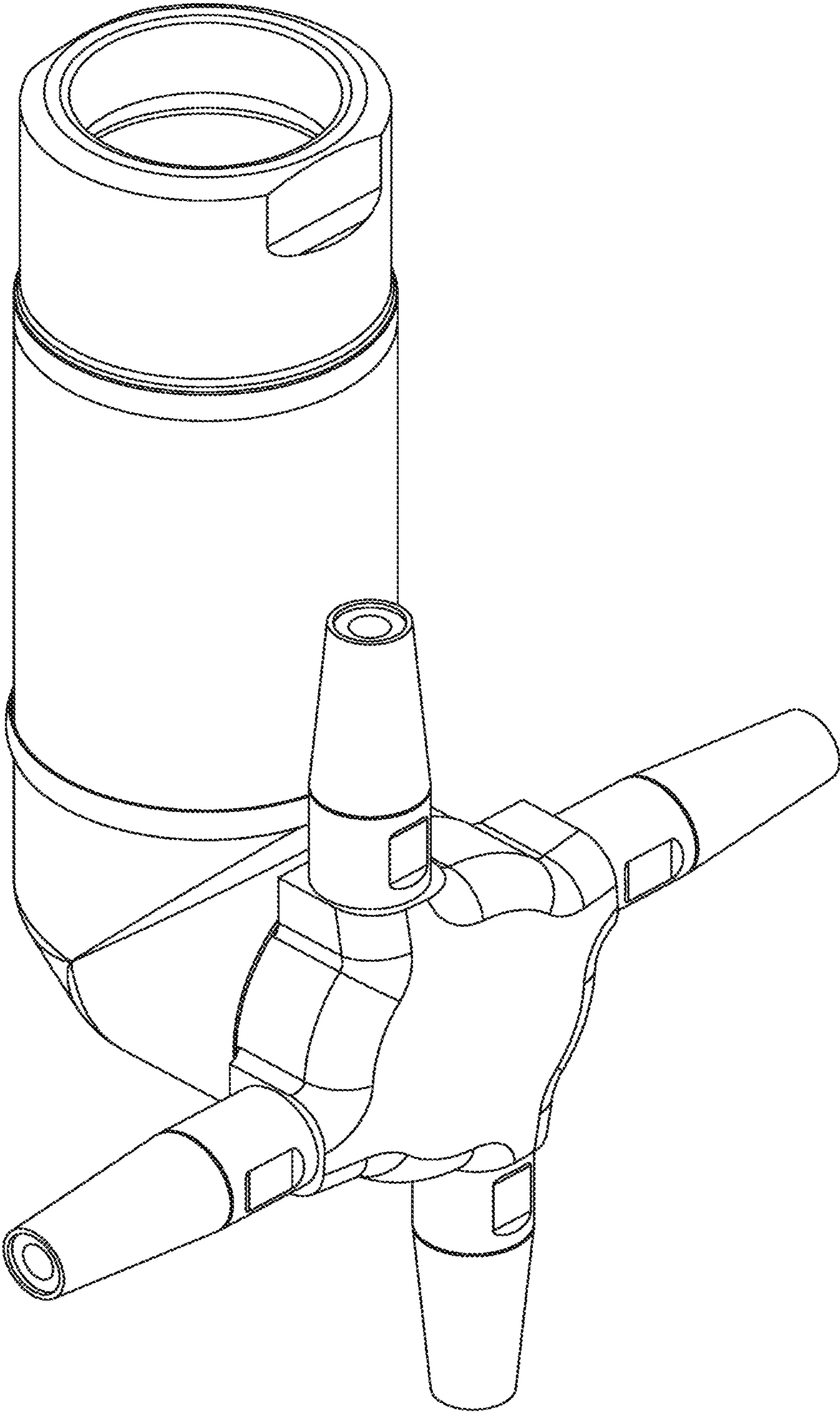


FIG. 1

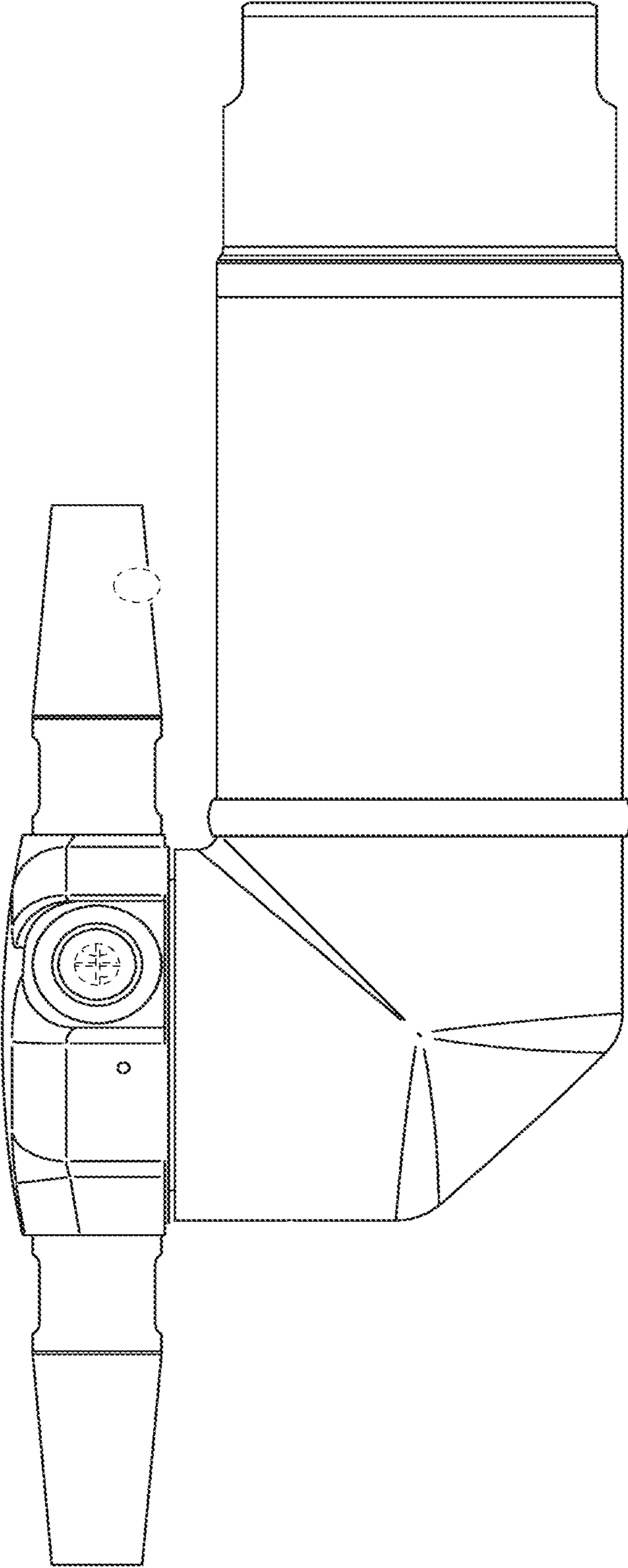


FIG. 2



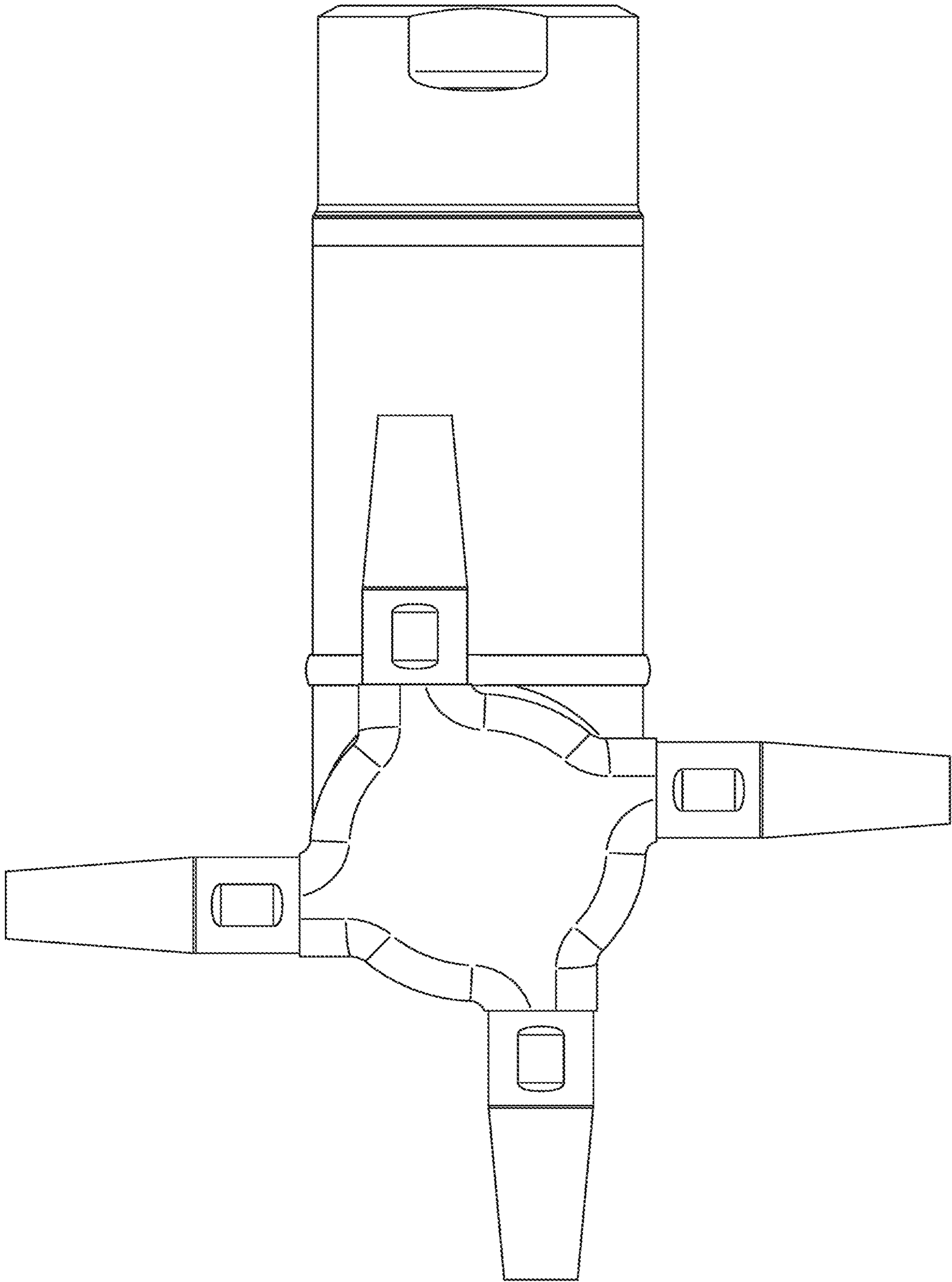


FIG. 3

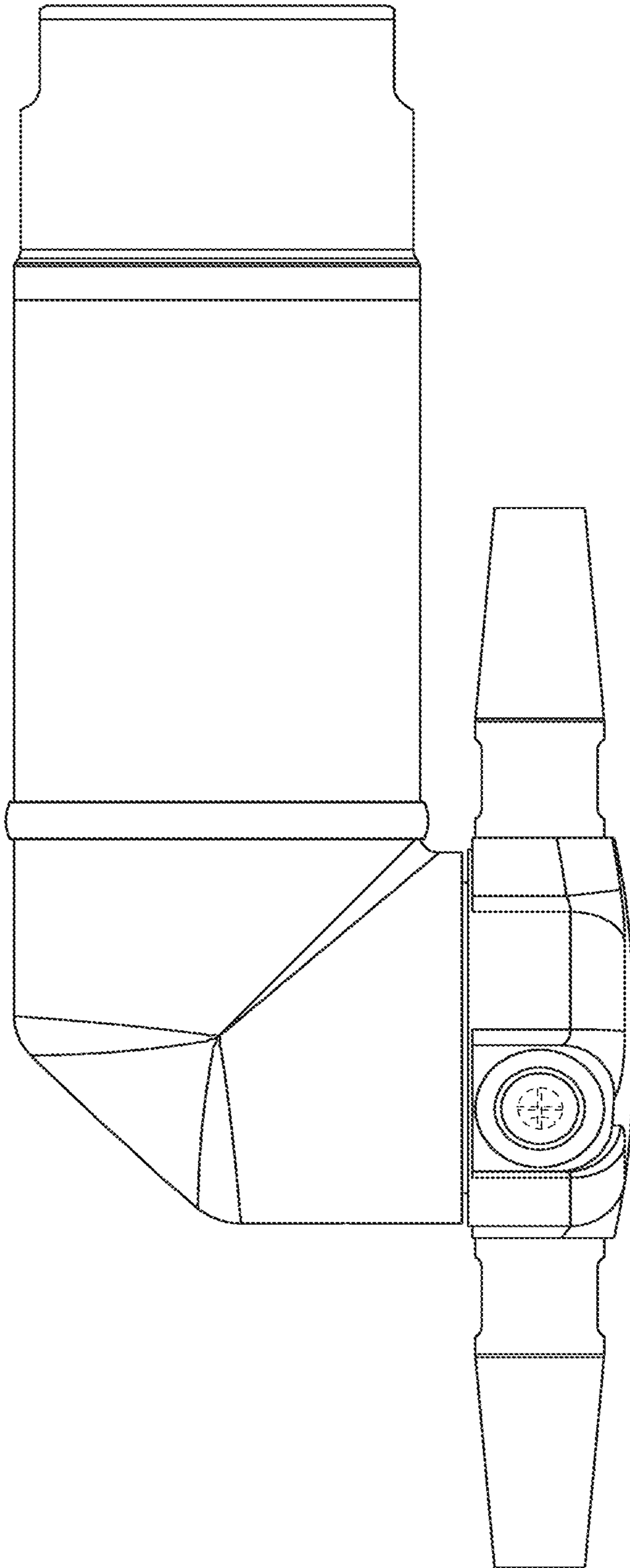


FIG. 4

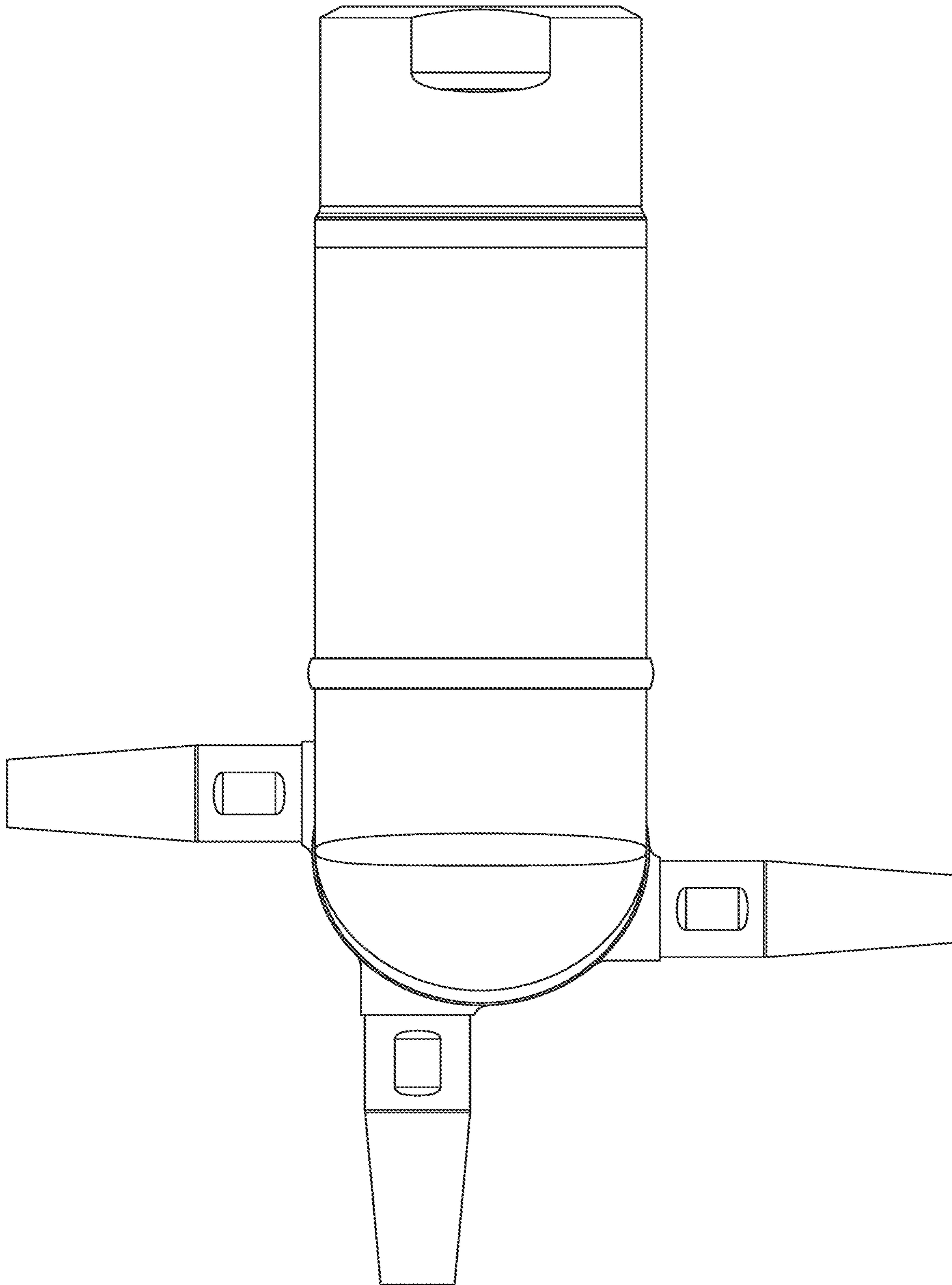


FIG. 5

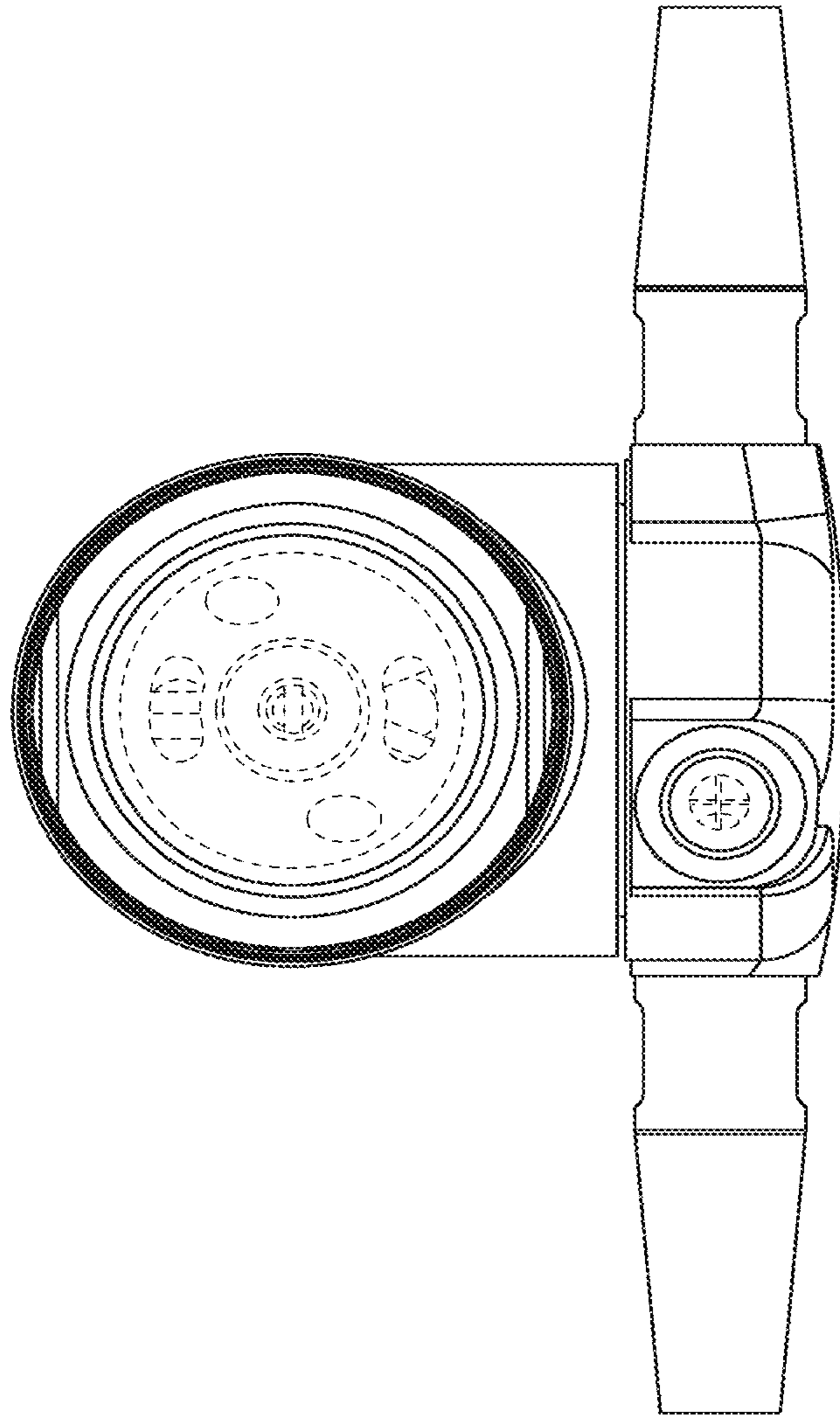


FIG. 6



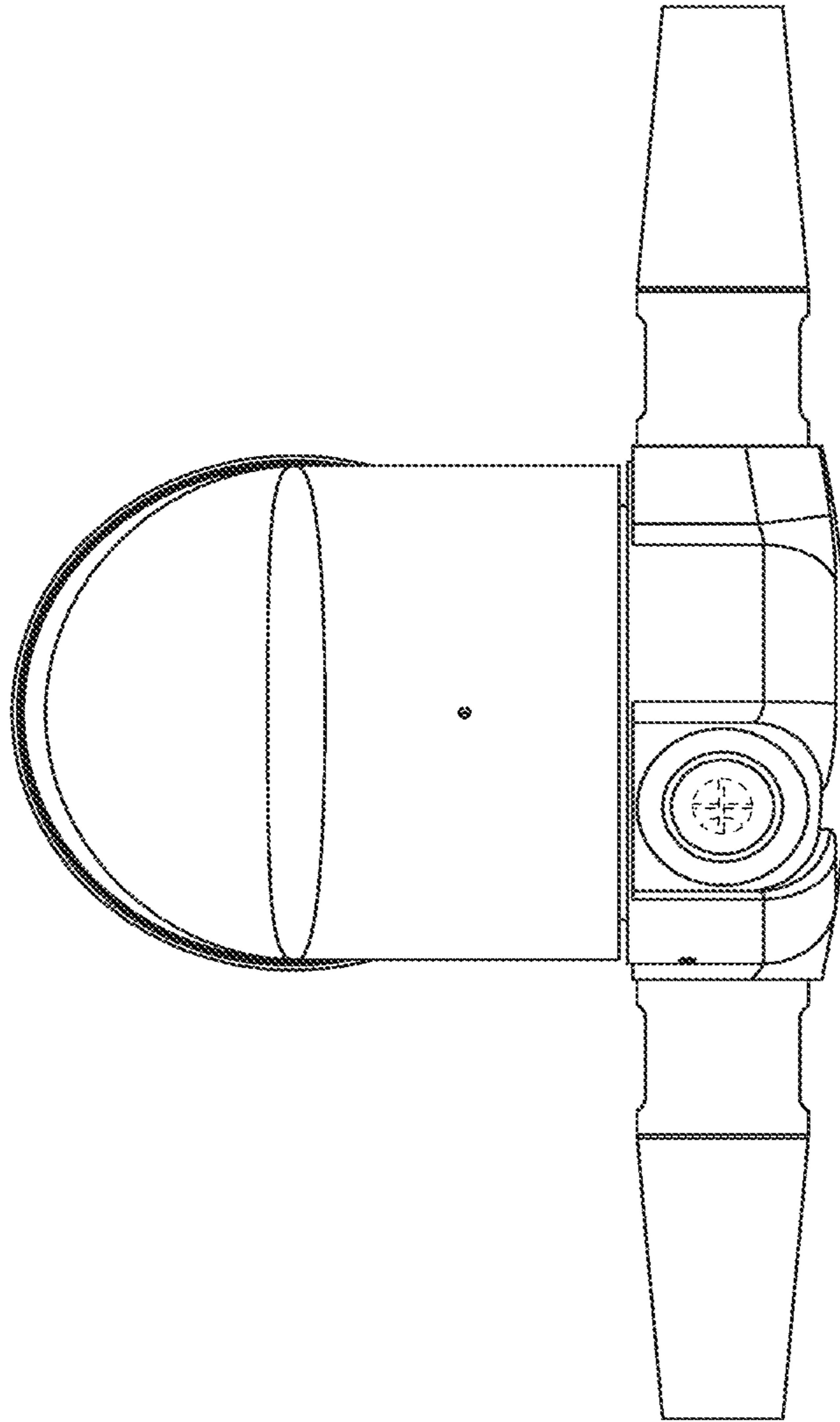


FIG. 7