



US00D909531S

(12) **United States Design Patent** (10) **Patent No.:** **US D909,531 S**
Slavinsky et al. (45) **Date of Patent:** **** Feb. 2, 2021**

(54) **FILTRATION SYSTEM**

- (71) Applicant: **AMIAD WATER SYSTEMS LTD.**,
Upper Galil (IL)
- (72) Inventors: **Alexey Slavinsky**, Kfar Hittim (IL);
Kfir Atias, Ein Ya'akov (IL); **Ra'anan**
Ben-Horin, Kibbutz Bet Zera (IL)
- (73) Assignee: **Amiad Water System Ltd.**, Upper
Galil (IL)
- (**) Term: **15 Years**

(21) Appl. No.: **29/644,211**

(22) Filed: **Apr. 16, 2018**

(51) **LOC (13) Cl.** **23-01**

(52) **U.S. Cl.**
USPC **D23/207**

(58) **Field of Classification Search**
USPC D23/200, 206, 207, 208, 209, 210, 213,
D23/233, 314, 324, 325, 328, 332, 333,
D23/336, 351, 353, 355, 357
CPC ... E04G 7/16; Y10T 403/30; Y10T 403/7105;
Y10T 403/7158; F16L 29/02; F16L
37/40; F16L 37/084; F16L 37/00; F16K
15/188; F16K 15/181
See application file for complete search history.

(56) **References Cited**

U.S. PATENT DOCUMENTS

| | | | | | | |
|-----------|-----|---------|-----------|-------|-------------|---------|
| 4,026,801 | A * | 5/1977 | Ward | | B01J 49/75 | 210/140 |
| D331,447 | S * | 12/1992 | Boehme | | D23/209 | |
| D333,505 | S * | 2/1993 | Matsumura | | D23/200 | |
| D351,893 | S * | 10/1994 | Whitesel | | D23/207 | |
| 5,486,288 | A * | 1/1996 | Stanford | | B01D 35/153 | 210/235 |
| D380,037 | S * | 6/1997 | Grantham | | D23/262 | |
| D402,023 | S * | 12/1998 | Thallemer | | D23/365 | |

(Continued)

OTHER PUBLICATIONS

https://www.dripdepot.com/item/amiad-mini-sigma-automatic-filter-size-4-inch-micron-100-orientation-on-line?gclid=EAlalQobChMI18Somavo5gIVGI7ICh2xpwsaEAQYAiABEgIMvfd_BwE (Year: 2019).*

(Continued)

Primary Examiner — Manpreet S Matharu

Assistant Examiner — Keith J Wilson

(74) *Attorney, Agent, or Firm* — Tutunjian & Bitetto, P.C.

(57) **CLAIM**

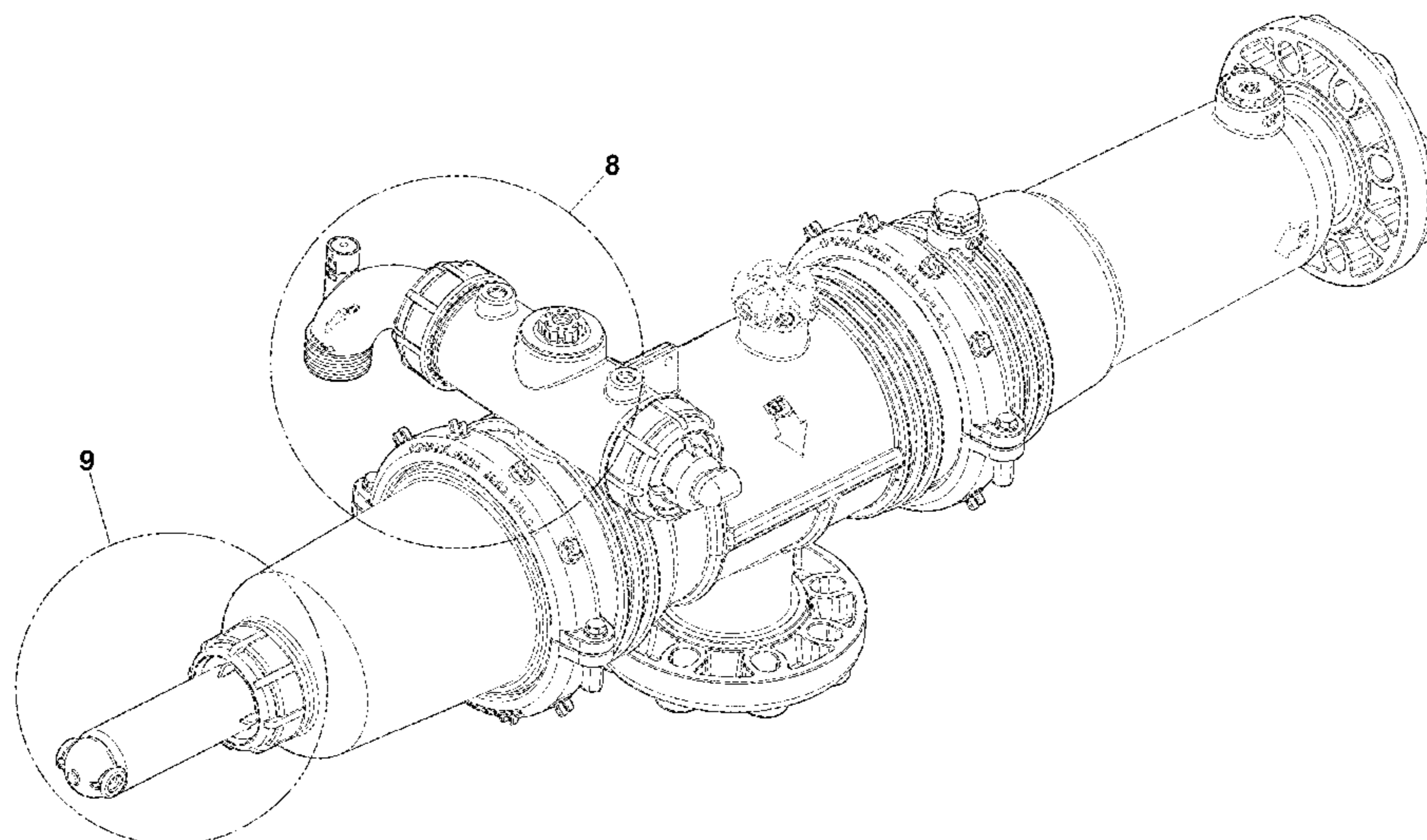
The ornamental design for a filtration system, as shown and described.

DESCRIPTION

FIG. 1 is a perspective view of the filtration system showing our new design;
 FIG. 2 is a front view thereof;
 FIG. 3 is a rear view thereof;
 FIG. 4 is a top view thereof;
 FIG. 5 is a bottom view thereof;
 FIG. 6 is a left end view thereof;
 FIG. 7 is a right end view thereof;
 FIG. 8 is an enlarged view of the portion identified as “8” in FIG. 1;
 FIG. 9 is an enlarged view of the portion identified as “9” in FIG. 1;
 FIG. 10 is an enlarged view of the portion identified as “10” in FIG. 3;
 FIG. 11 is an enlarged view of the portion identified as “11” in FIG. 4;
 FIG. 12 is an enlarged view of the portion identified as “12” in FIG. 6;
 FIG. 13 is an enlarged view of the portion identified as “13” in FIG. 6; and,
 FIG. 14 is an enlarged view of the portion identified as “14” in FIG. 6.

The broken lines in the drawings show portions of a filtration system and form no part of the claimed design.

1 Claim, 10 Drawing Sheets



(56)

References Cited

U.S. PATENT DOCUMENTS

6,076,545 A * 6/2000 Cooper A62C 35/68
 137/360
 D428,978 S * 8/2000 Ito D23/325
 6,158,195 A * 12/2000 Andersson B65B 39/004
 53/237
 D439,950 S * 4/2001 Fletcher D23/207
 D446,840 S * 8/2001 Strand D23/209
 6,583,422 B2 * 6/2003 Boehme C02F 1/325
 250/432 R
 D481,442 S * 10/2003 Liu D23/209
 D482,755 S * 11/2003 Rhinehart D23/207
 D486,882 S * 2/2004 Riddell D23/207
 D502,757 S * 3/2005 Mork D23/207
 D507,325 S * 7/2005 McClean D23/207
 D508,281 S * 8/2005 McClean D23/207
 7,021,671 B2 * 4/2006 Evans E03F 1/002
 137/561 A
 D545,406 S * 6/2007 Surinak D23/266
 D600,775 S * 9/2009 Schmitt D23/209
 D612,464 S * 3/2010 Weisel D23/266
 D633,982 S * 3/2011 Palmer D23/209
 7,913,932 B2 * 3/2011 Wu A01M 7/0046
 239/288
 D643,506 S * 8/2011 Miles D23/207
 D654,145 S * 2/2012 Chatterjee D23/207
 D654,558 S * 2/2012 Zeng D23/208
 D662,196 S * 6/2012 Ito D23/365
 D662,568 S * 6/2012 Zeng D23/208
 D675,706 S * 2/2013 Mallol D23/207
 D675,707 S * 2/2013 Mallol D23/207
 D682,387 S * 5/2013 Tseng D23/207
 D687,925 S * 8/2013 Gill D23/213
 D695,877 S * 12/2013 Geisen D23/207
 D705,390 S * 5/2014 Okazaki D23/207
 D719,634 S * 12/2014 Reed D23/209
 D720,048 S * 12/2014 Winborn D23/233
 D728,748 S * 5/2015 Gehrling D23/233
 D753,795 S * 4/2016 Rahms D23/233
 D754,289 S * 4/2016 Roden D23/233

D754,290 S * 4/2016 Roden D23/233
 D754,630 S * 4/2016 Paterson D14/204
 D755,155 S * 5/2016 Paterson D14/204
 D755,347 S * 5/2016 Jenne D23/233
 D755,928 S * 5/2016 Jenne D23/233
 D762,834 S * 8/2016 Kaufmann D23/365
 D771,223 S * 11/2016 Rycroft D23/233
 D773,611 S * 12/2016 Baker D23/233
 D790,508 S * 6/2017 Lewis D14/204
 D794,165 S * 8/2017 Adey B03C 1/286
 D23/233
 9,901,850 B2 * 2/2018 Zur B01D 29/117
 D812,191 S * 3/2018 Harck D23/233
 D813,351 S * 3/2018 Harck D23/233
 D818,562 S * 5/2018 Yung D23/233
 9,993,754 B2 * 6/2018 Bentor B01D 29/92
 D829,687 S * 10/2018 Burlingame D14/214
 D835,754 S * 12/2018 Caleffi D23/233
 D837,182 S * 1/2019 Elmieh D14/204
 D841,774 S * 2/2019 Ghoshal D23/207
 D841,775 S * 2/2019 Ghoshal D23/207
 D844,101 S * 3/2019 Zheng D23/207
 D848,399 S * 5/2019 Burlingame D14/221
 D854,509 S * 7/2019 Wu D14/168
 D855,151 S * 7/2019 Joo D23/207
 D857,837 S * 8/2019 Ibal D23/206
 D858,702 S * 9/2019 Lagoni D23/233
 D858,703 S * 9/2019 Lagoni D23/233
 2018/0291911 A1 * 10/2018 Ward F04B 17/03

OTHER PUBLICATIONS

<https://irrigation.amiad.com/product/mini-sigma-3/> (Year: 2019).*
https://www.dripdepot.com/item/amiad-mini-sigma-automatic-filter-size-2-inch-micron-200-orientation-on-line?gclid=EAlalQobChMlmeOCrPPu6gIVLwiICR26NgTWEAkYBiABEgJbXPD_BwE (Year: 2019).*
https://www.dripdepot.com/itenn/amiad-mini-sigma-automatic-filter-size-2-inch-micron-200-orientation-on-line?gclid=EAlalQobChMlmeOCrPPu6gIVLwiICR26NgTWEAkYBiABEgJbXPD_BwE (Year: 2019).*

* cited by examiner

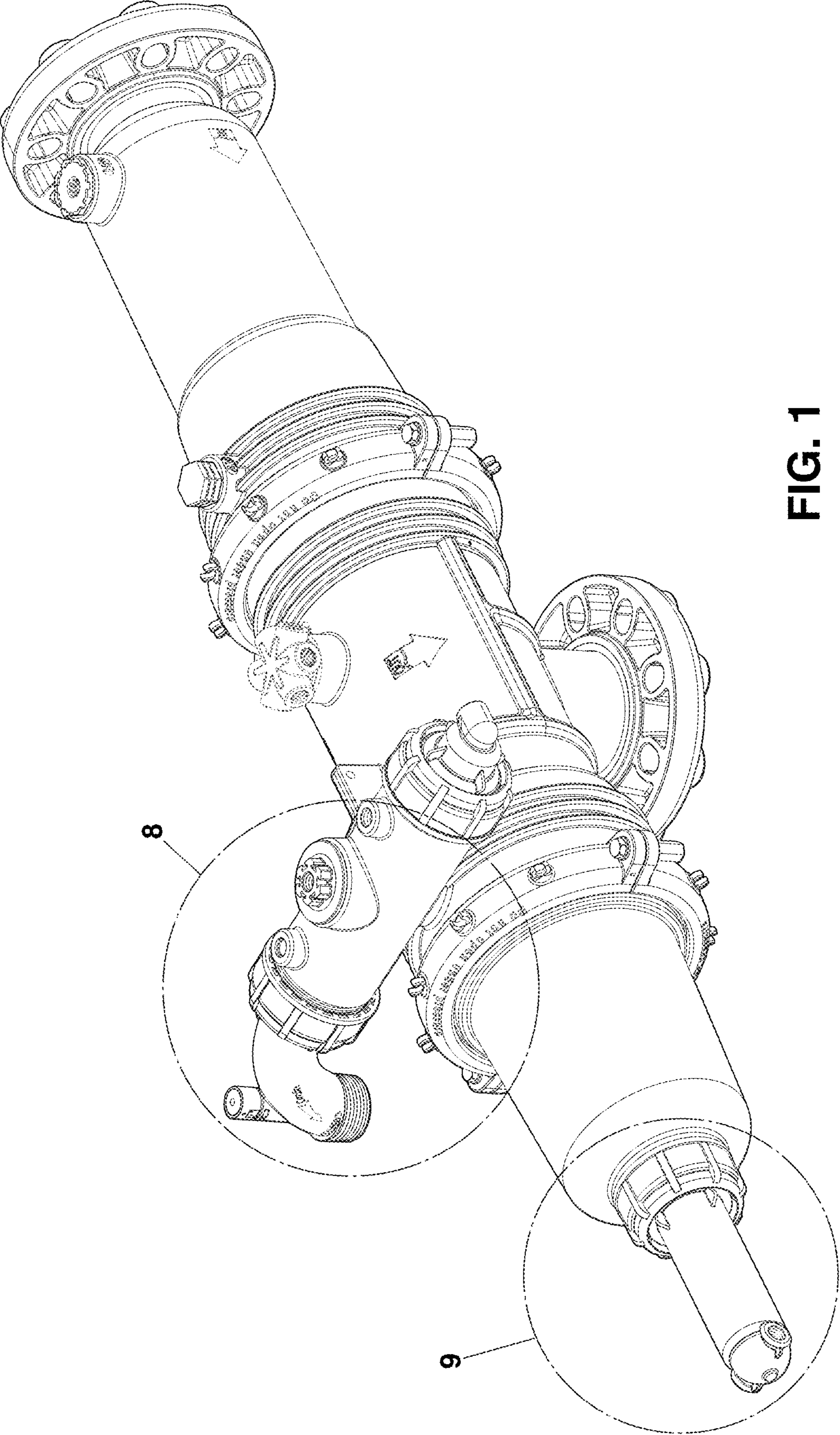


FIG. 1

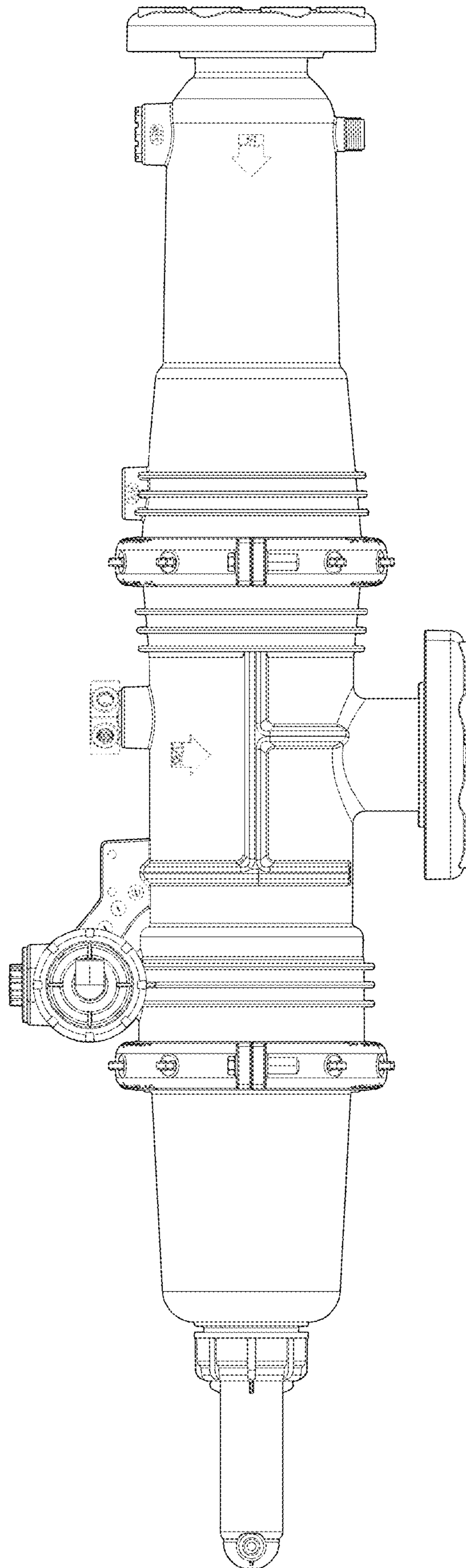


FIG. 2

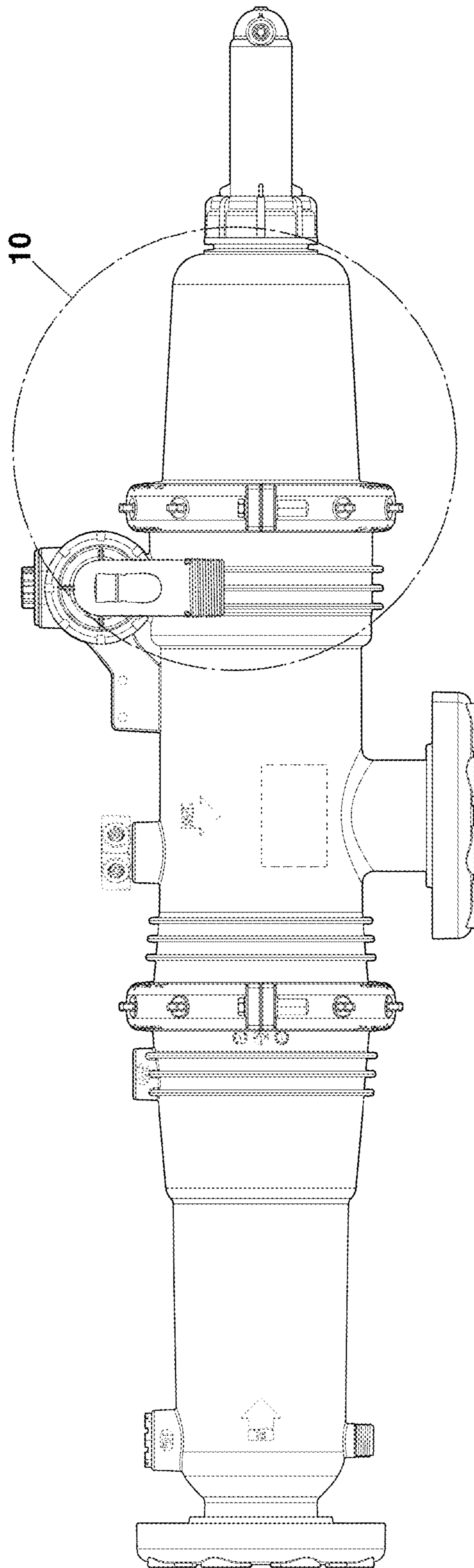


FIG. 3

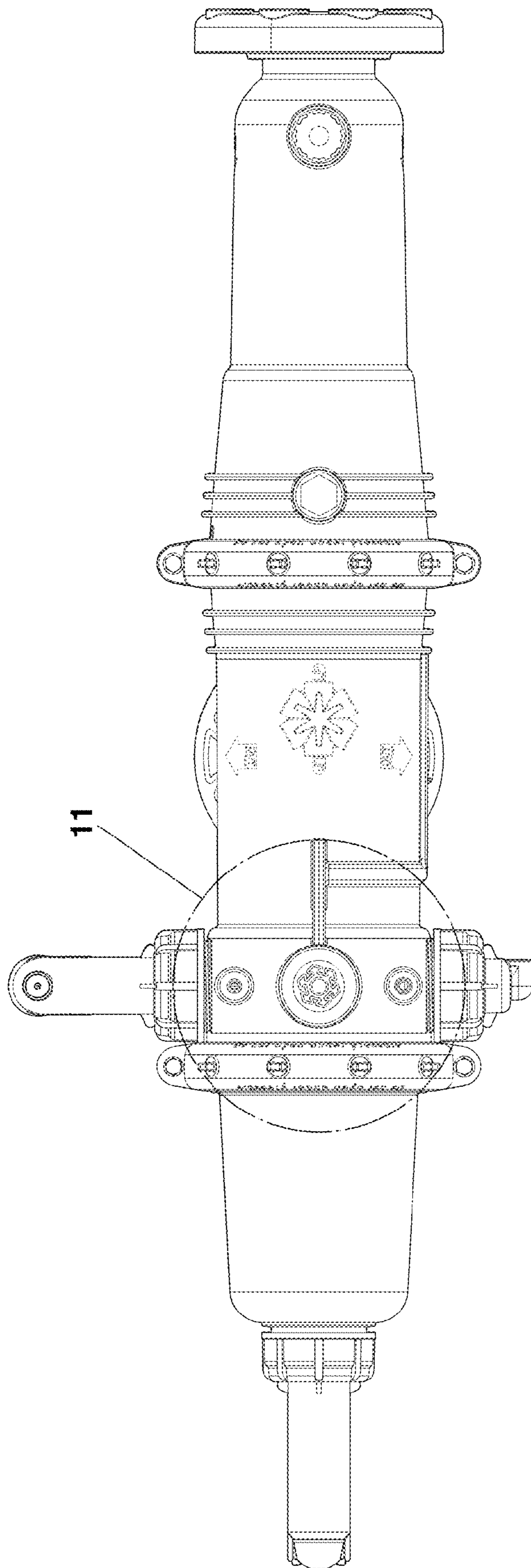


FIG. 4

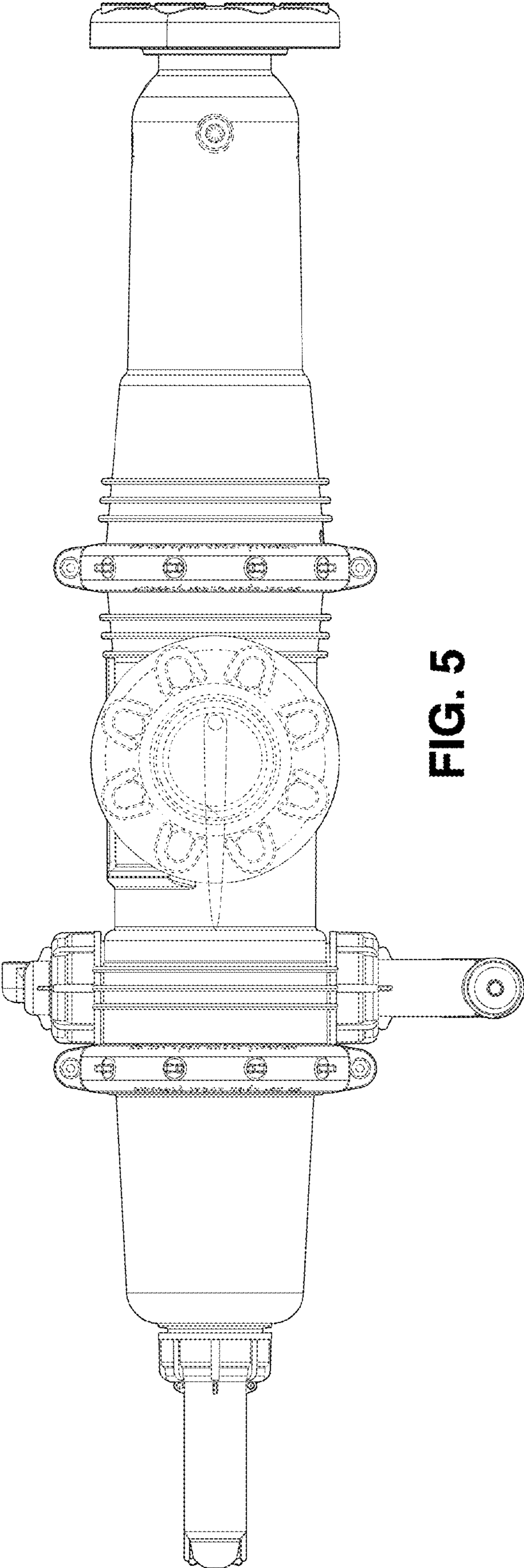


FIG. 5

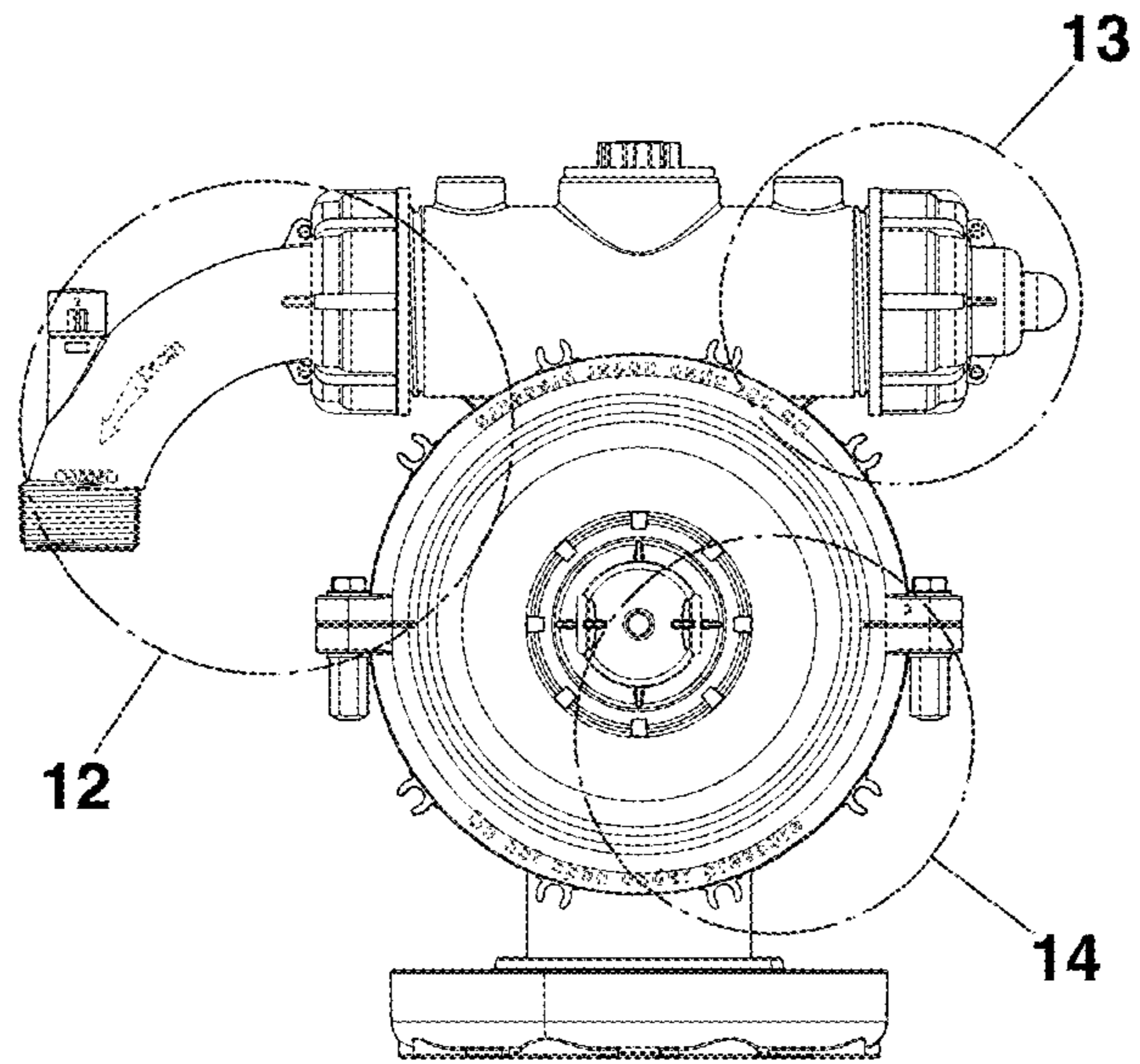


FIG. 6

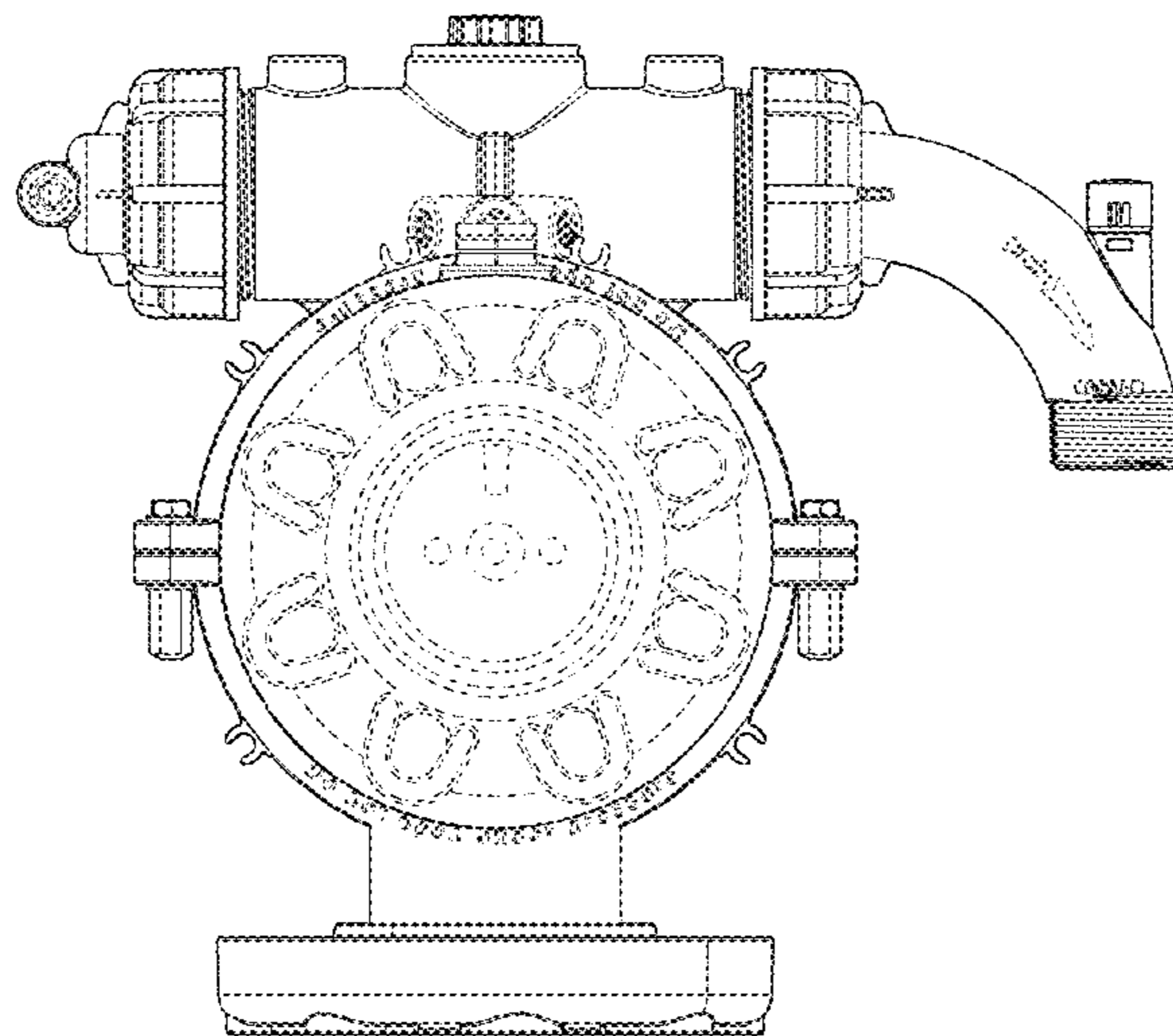


FIG. 7

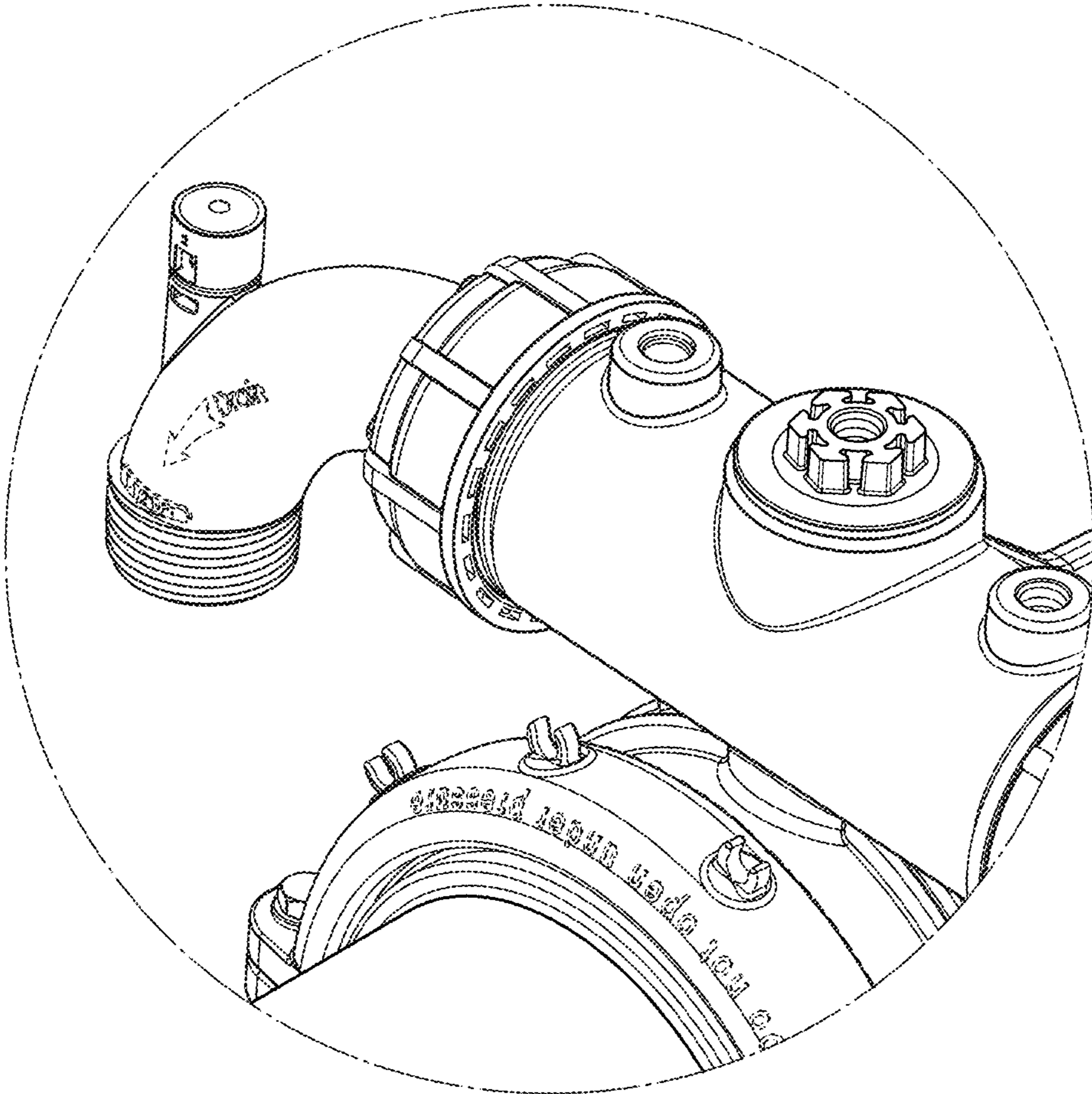


FIG. 8

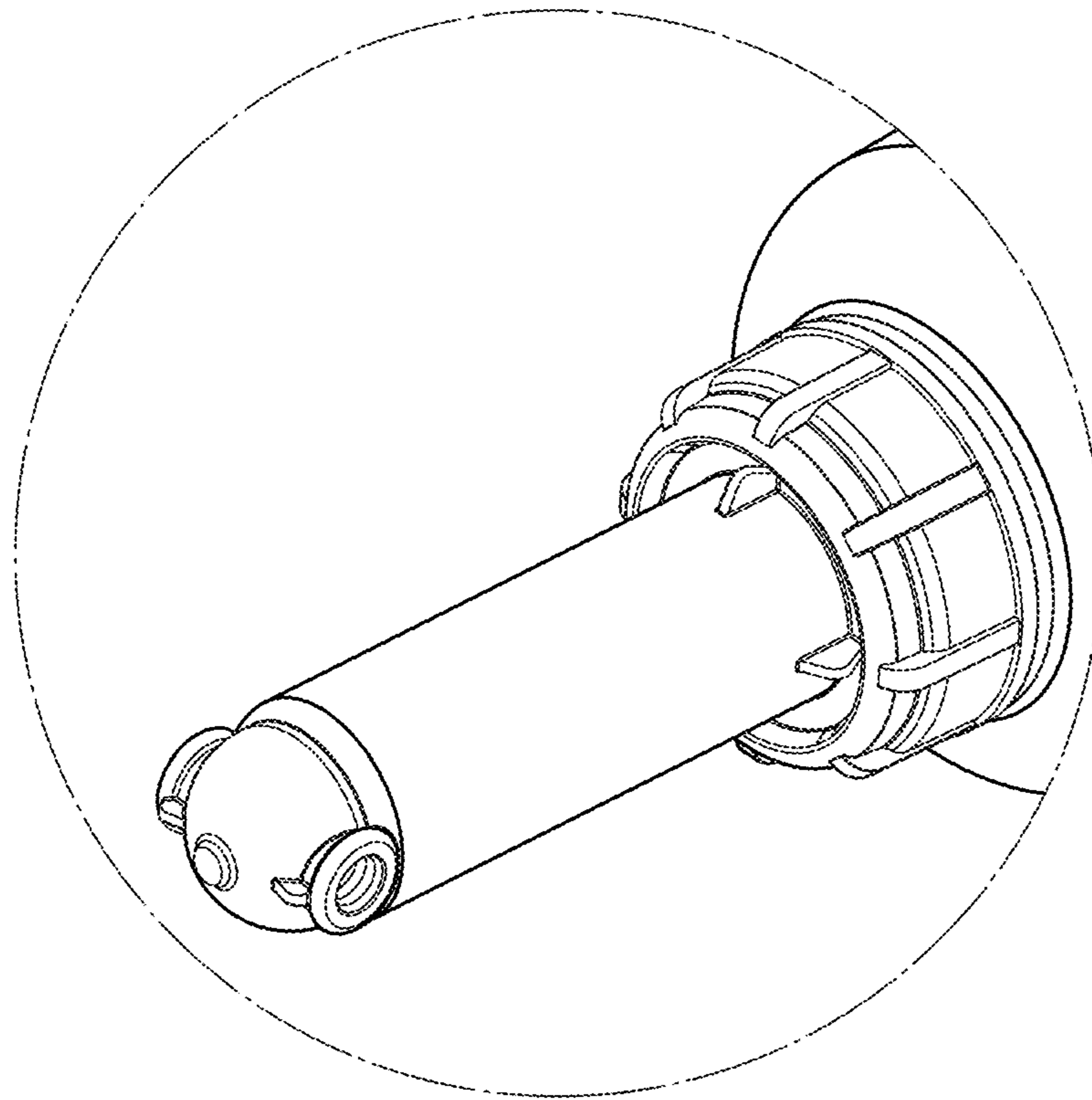


FIG. 9

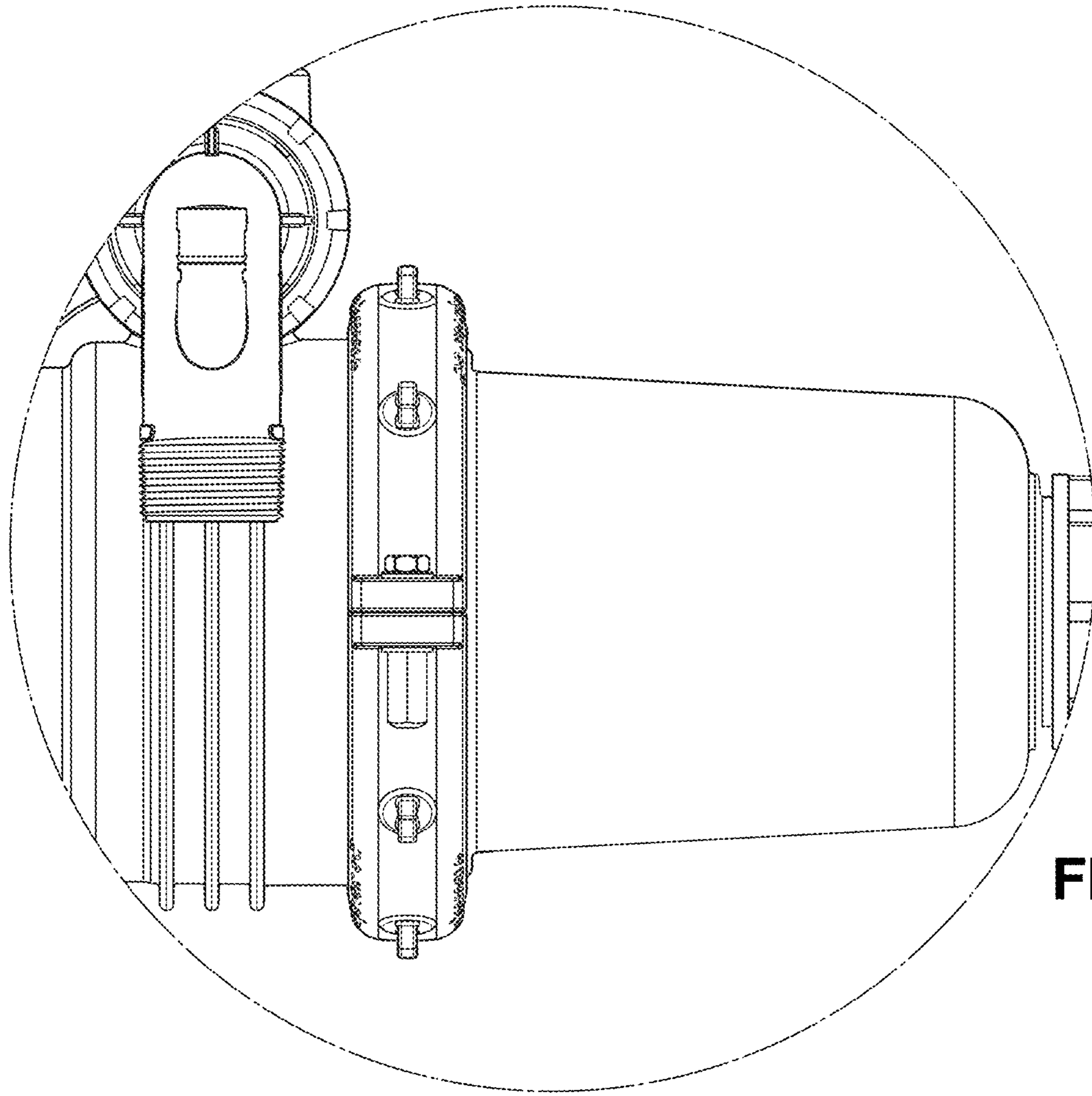


FIG. 10

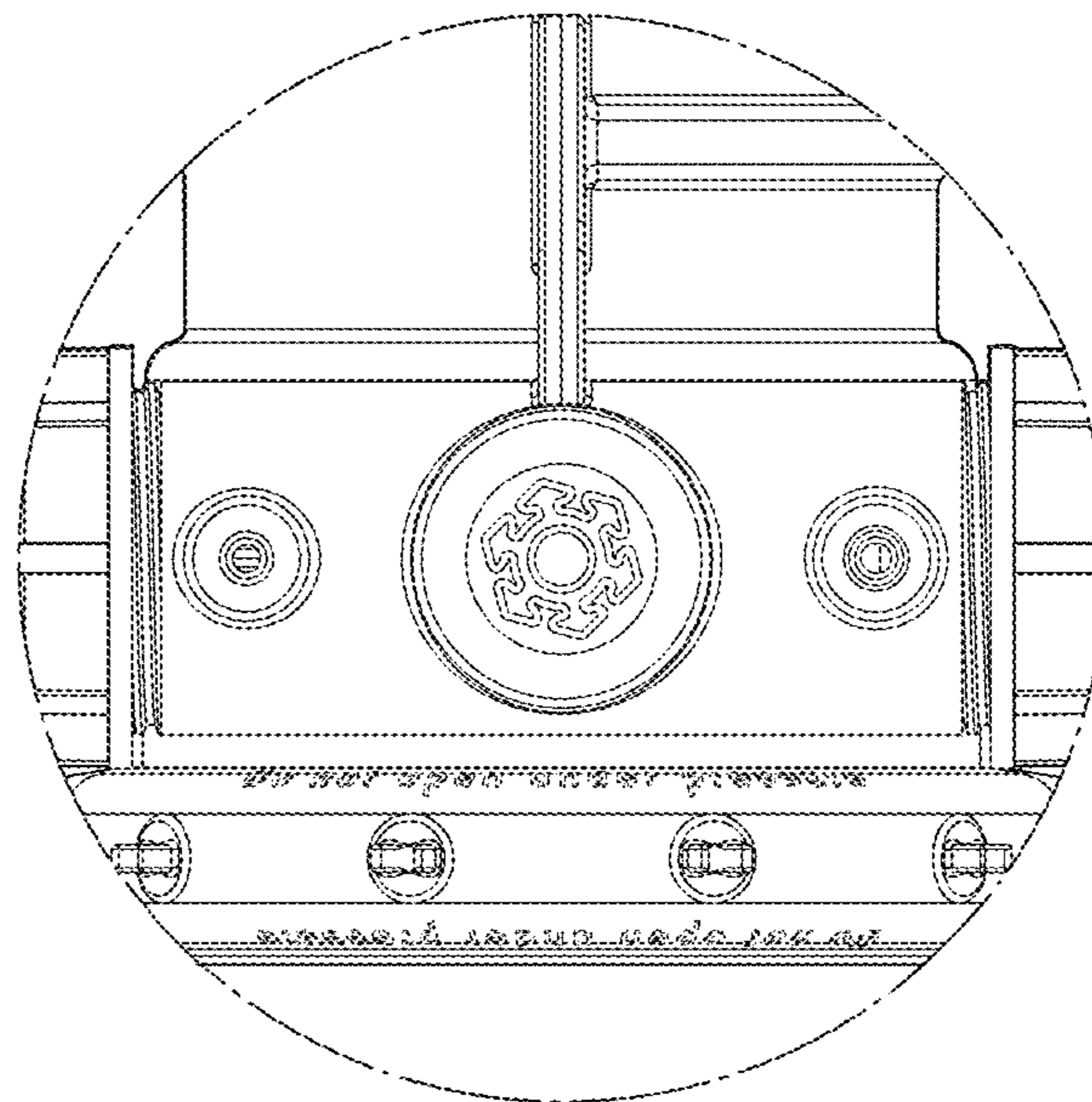


FIG. 11

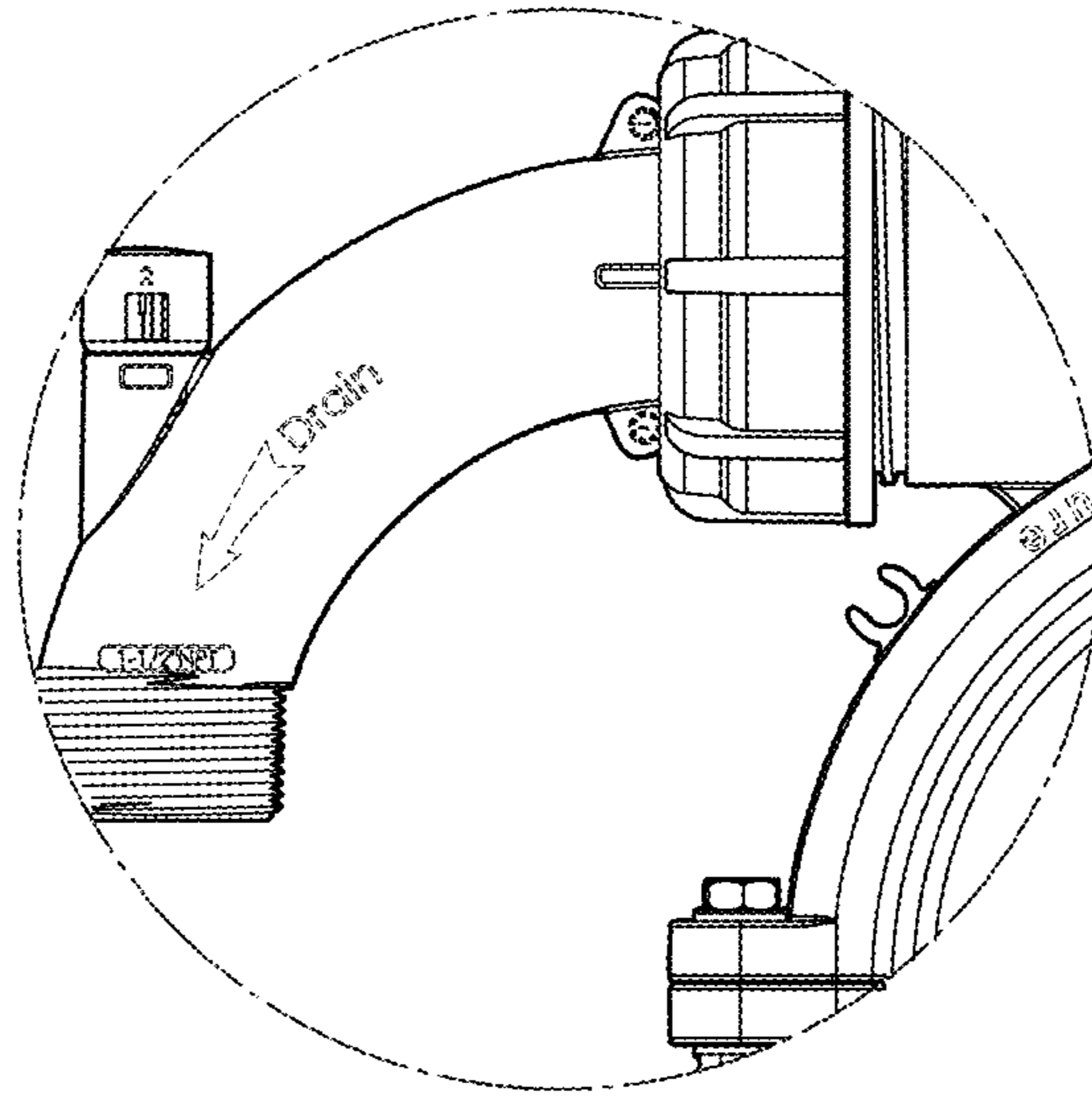


FIG. 12

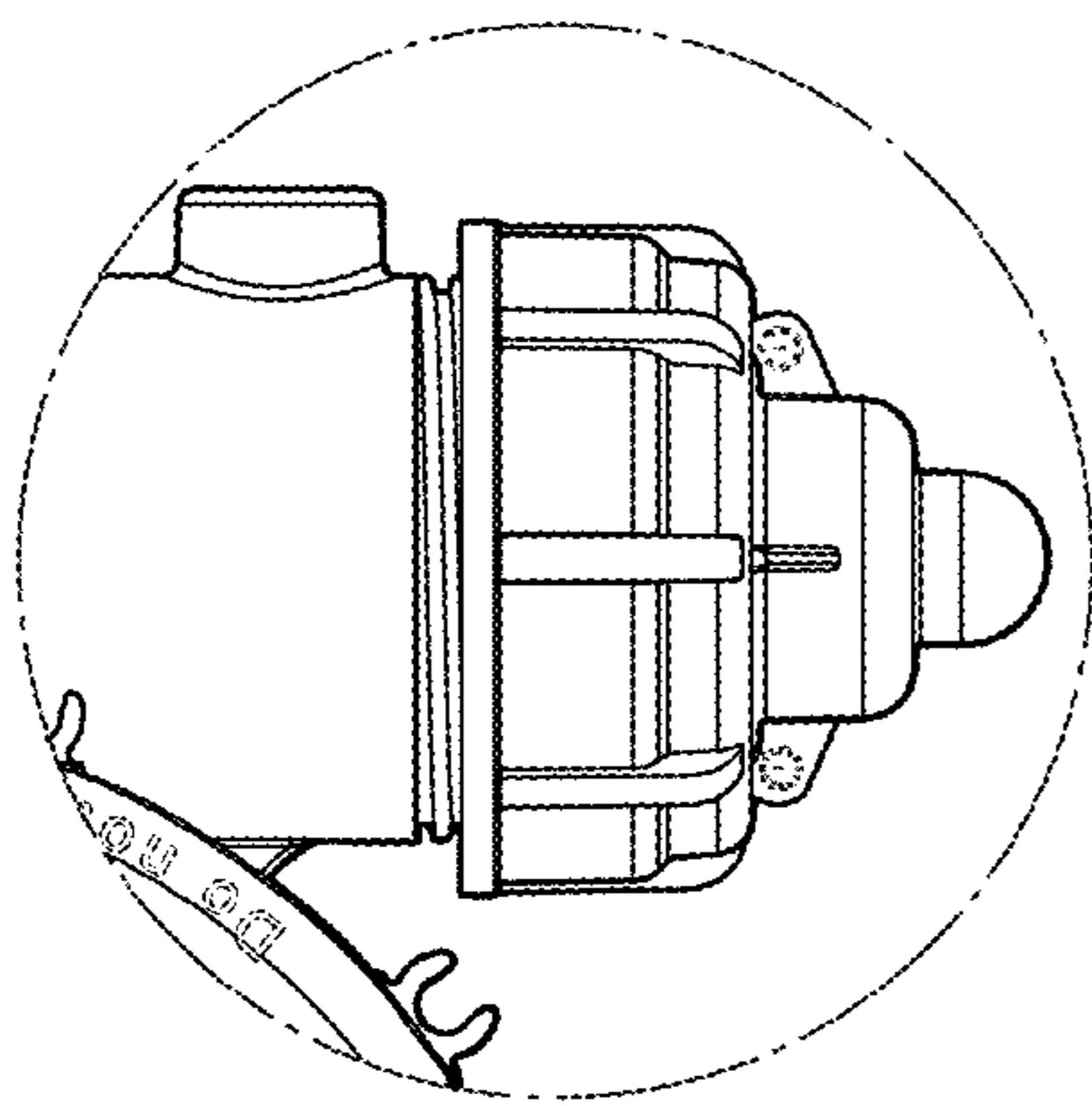


FIG. 13

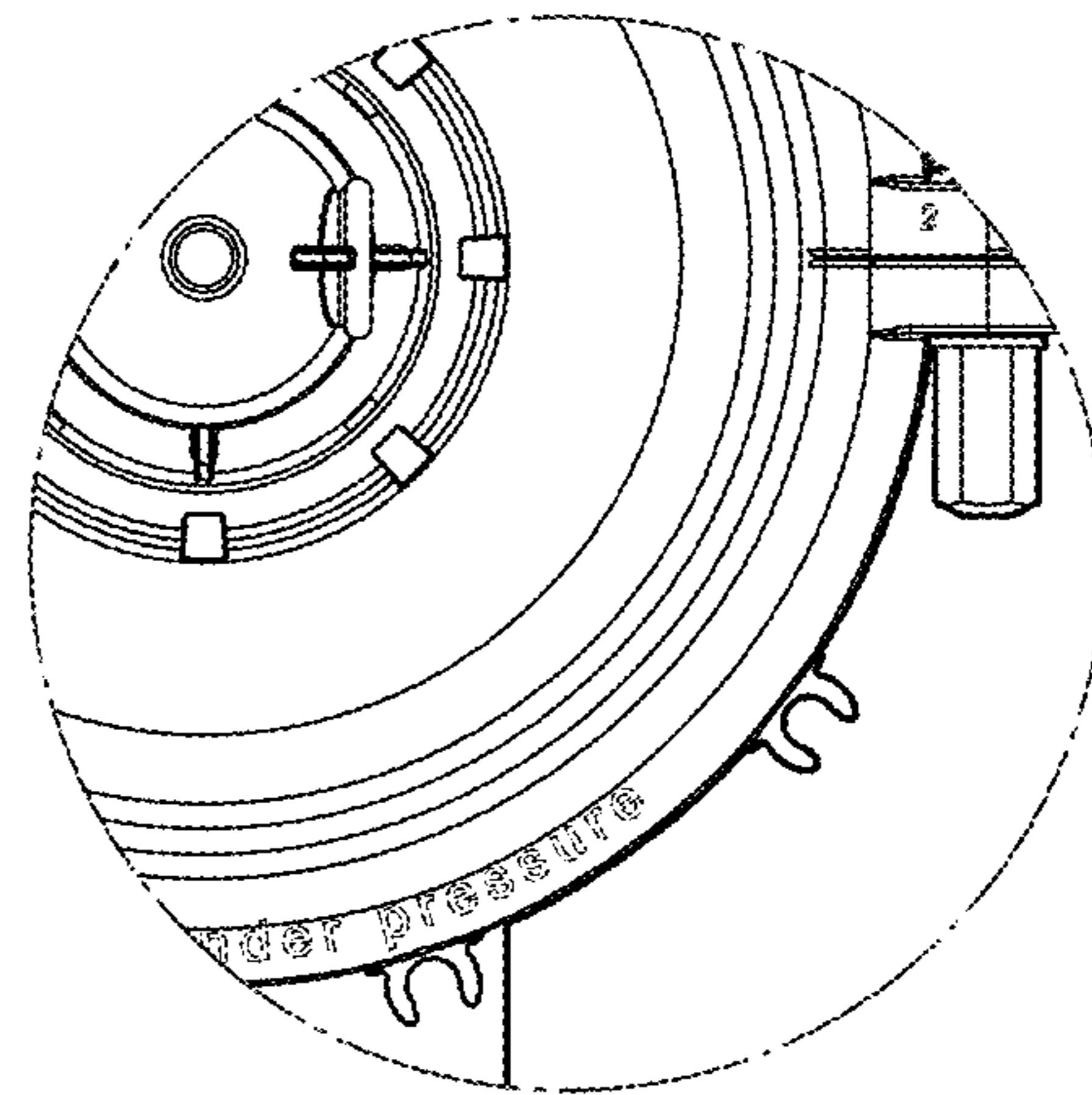


FIG. 14