



US00D909528S

(12) **United States Design Patent** (10) **Patent No.:** **US D909,528 S**
Jen (45) **Date of Patent:** **** Feb. 2, 2021**

(54) **FIREARM MUZZLE DEVICE**
(71) Applicant: **Yi Hwei Jen**, Santa Ana, CA (US)
(72) Inventor: **Yi Hwei Jen**, Santa Ana, CA (US)
(**) Term: **15 Years**
(21) Appl. No.: **29/631,558**
(22) Filed: **Dec. 29, 2017**
(51) **LOC (13) Cl.** **22-01**
(52) **U.S. Cl.**
USPC **D22/108**
(58) **Field of Classification Search**
USPC D22/108, 109, 199
CPC F41A 21/34; F41A 21/325; F41A 21/32;
F41A 21/28; F41A 3/14; F41A 3/30;
F41A 17/44
See application file for complete search history.

D865,107 S * 10/2019 Batten D22/108
2006/0162221 A1* 7/2006 McLaren F41A 17/44
42/70.11
2017/0059265 A1* 3/2017 Winter F41A 17/08
2019/0154388 A1* 5/2019 Jager F41A 21/36

* cited by examiner

Primary Examiner — Karen S Acker
Assistant Examiner — Steven B Reinholdt, Jr.
(74) *Attorney, Agent, or Firm* — Kafantaris Law Offices;
Theo Kafantaris

(57) **CLAIM**

The ornamental design for a firearm muzzle device, as shown and described.

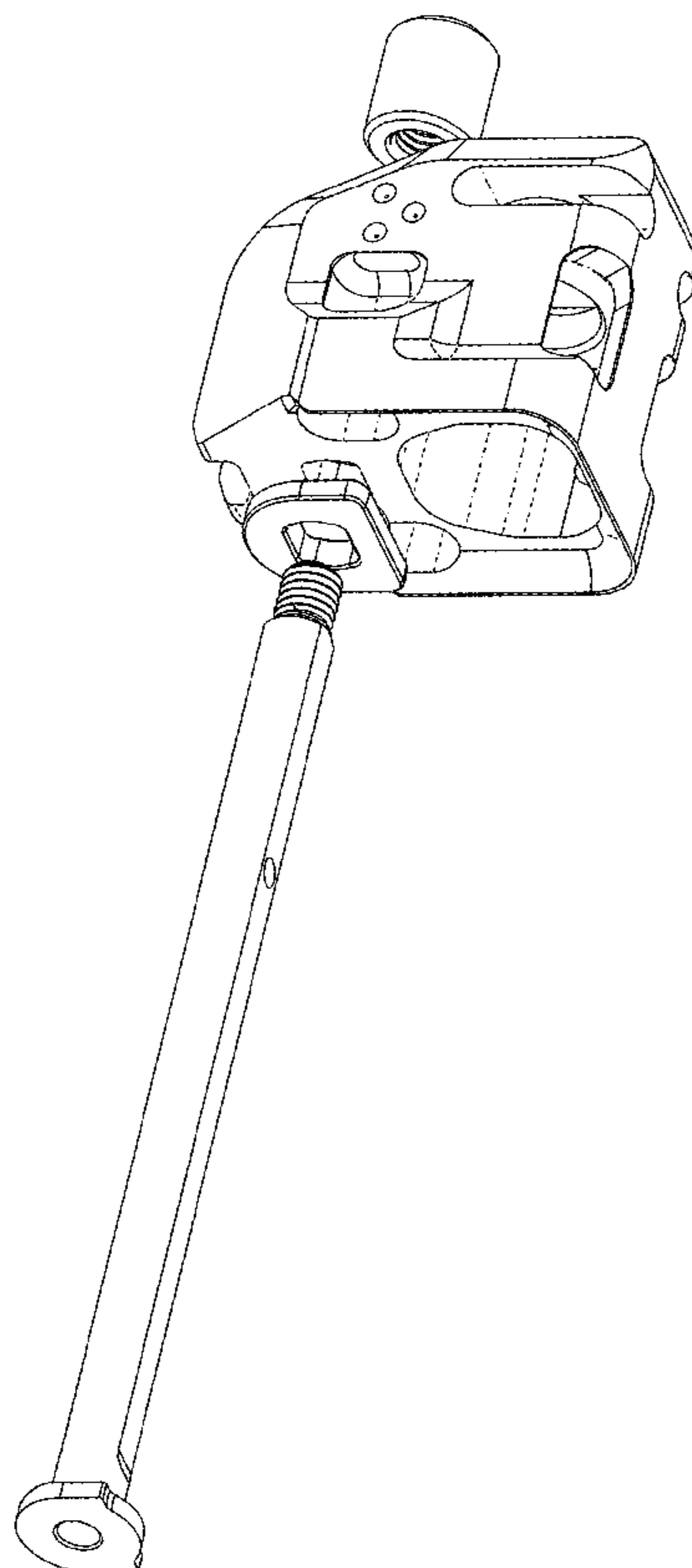
DESCRIPTION

FIG. 1 is an exploded top plan view of a firearm muzzle device showing my new design;
FIG. 2 is a side elevational view thereof, the right side being a mirror image;
FIG. 3 is an enlarged rear elevational view thereof;
FIG. 4 is a rear top perspective view thereof;
FIG. 5 is a rear bottom perspective view thereof;
FIG. 6 is an enlarged front elevational view thereof;
FIG. 7 is a front top perspective view thereof;
FIG. 8 is a front bottom perspective view thereof; and,
FIG. 9 is a bottom plan view thereof.

(56) **References Cited**
U.S. PATENT DOCUMENTS

D382,036 S * 8/1997 Haber D22/108
D392,712 S * 3/1998 Hammans D22/100
D482,424 S * 11/2003 Barber D22/108
D697,999 S * 1/2014 Firment D22/108
D711,493 S * 8/2014 Scull D22/108
9,591,255 B2 * 3/2017 Sakiewicz G11B 27/34
9,618,284 B1 * 4/2017 Hoffman F41A 7/08
D842,417 S * 3/2019 Liu D22/108
D842,418 S * 3/2019 Oglesby D22/108

1 Claim, 9 Drawing Sheets



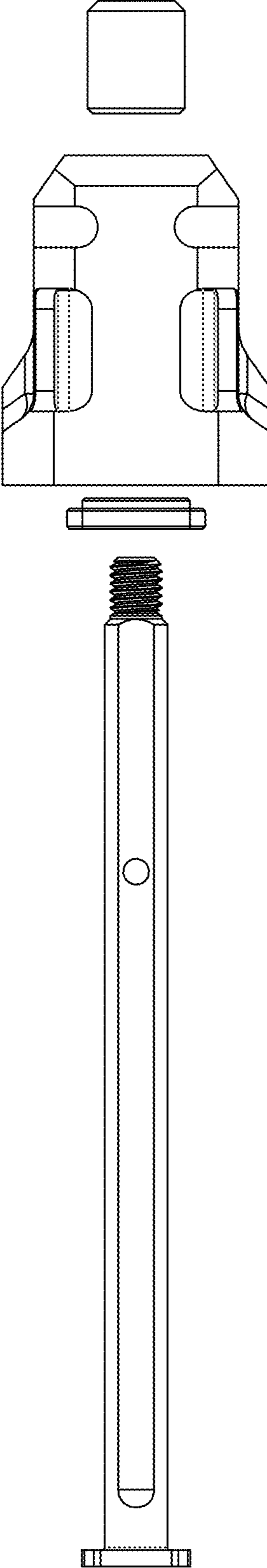


FIG. 1

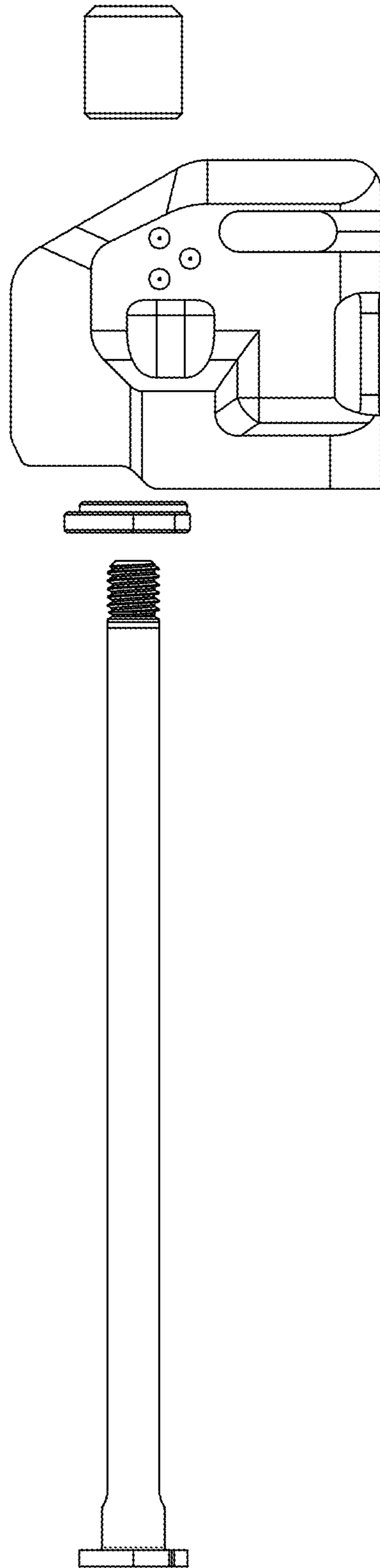


FIG. 2

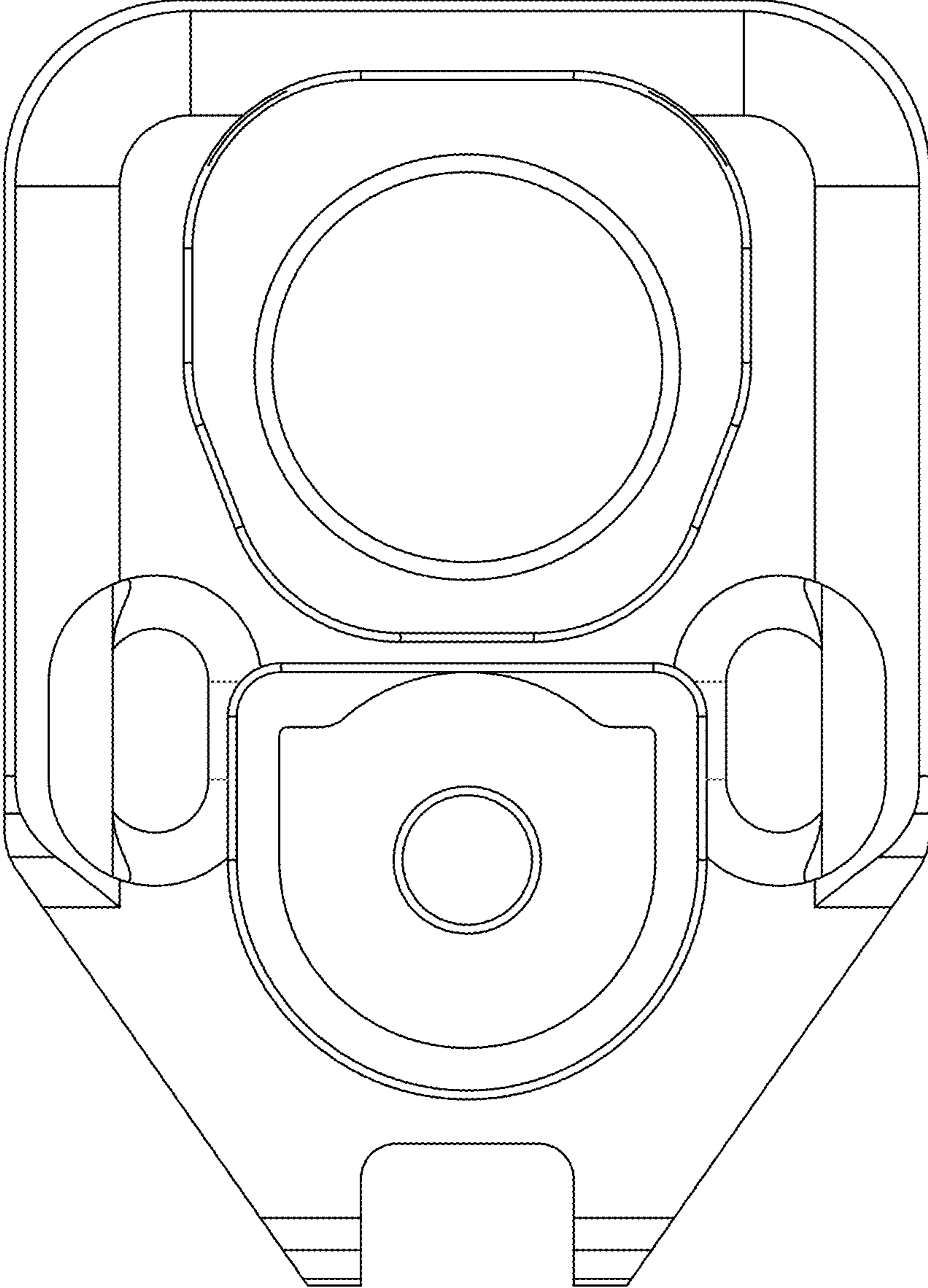


FIG. 3

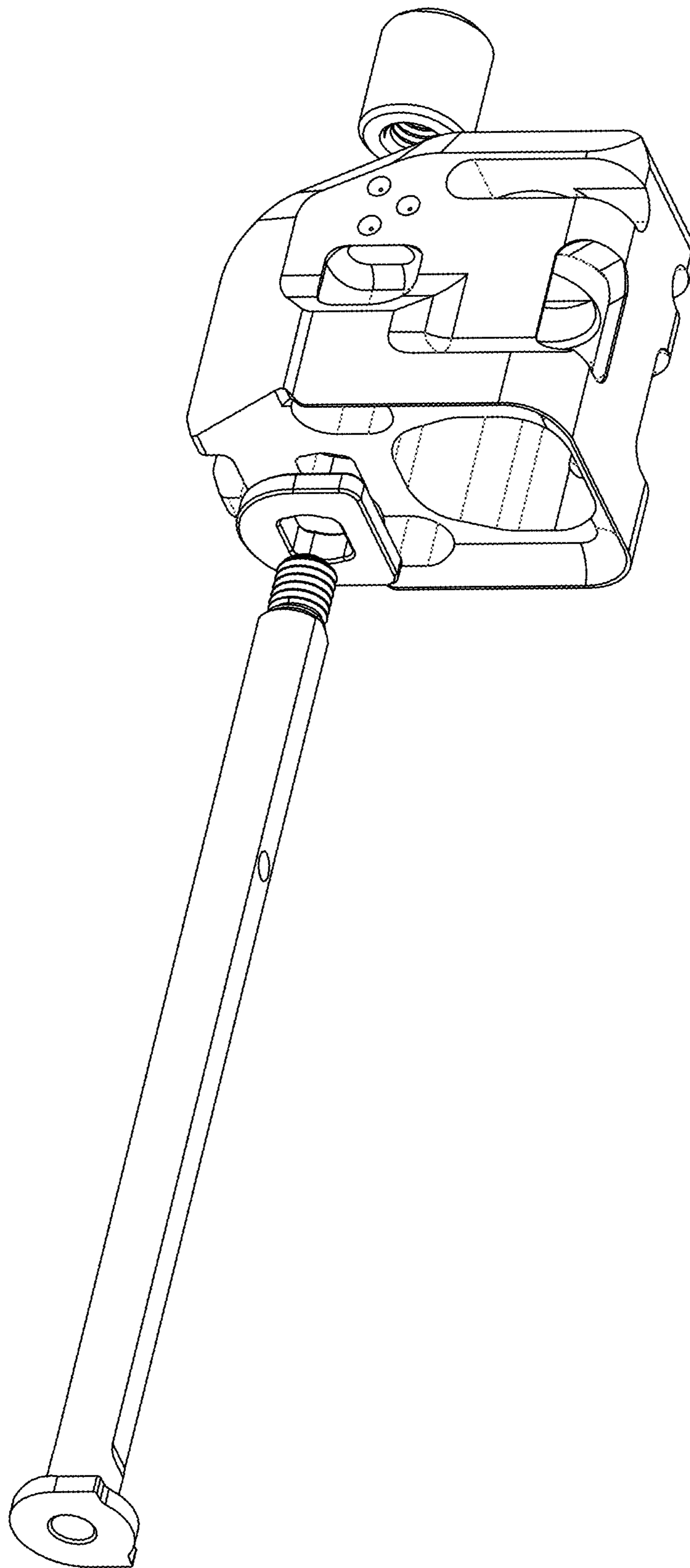


FIG. 4

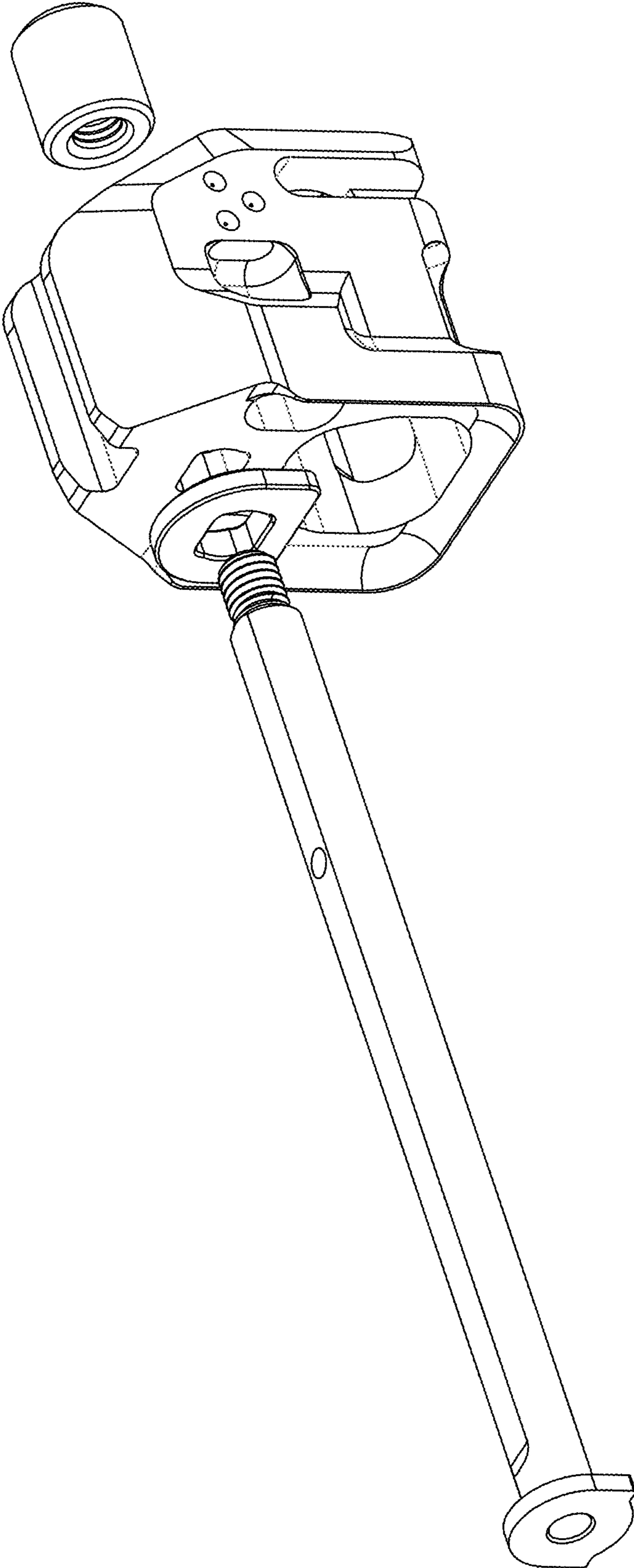


FIG. 5

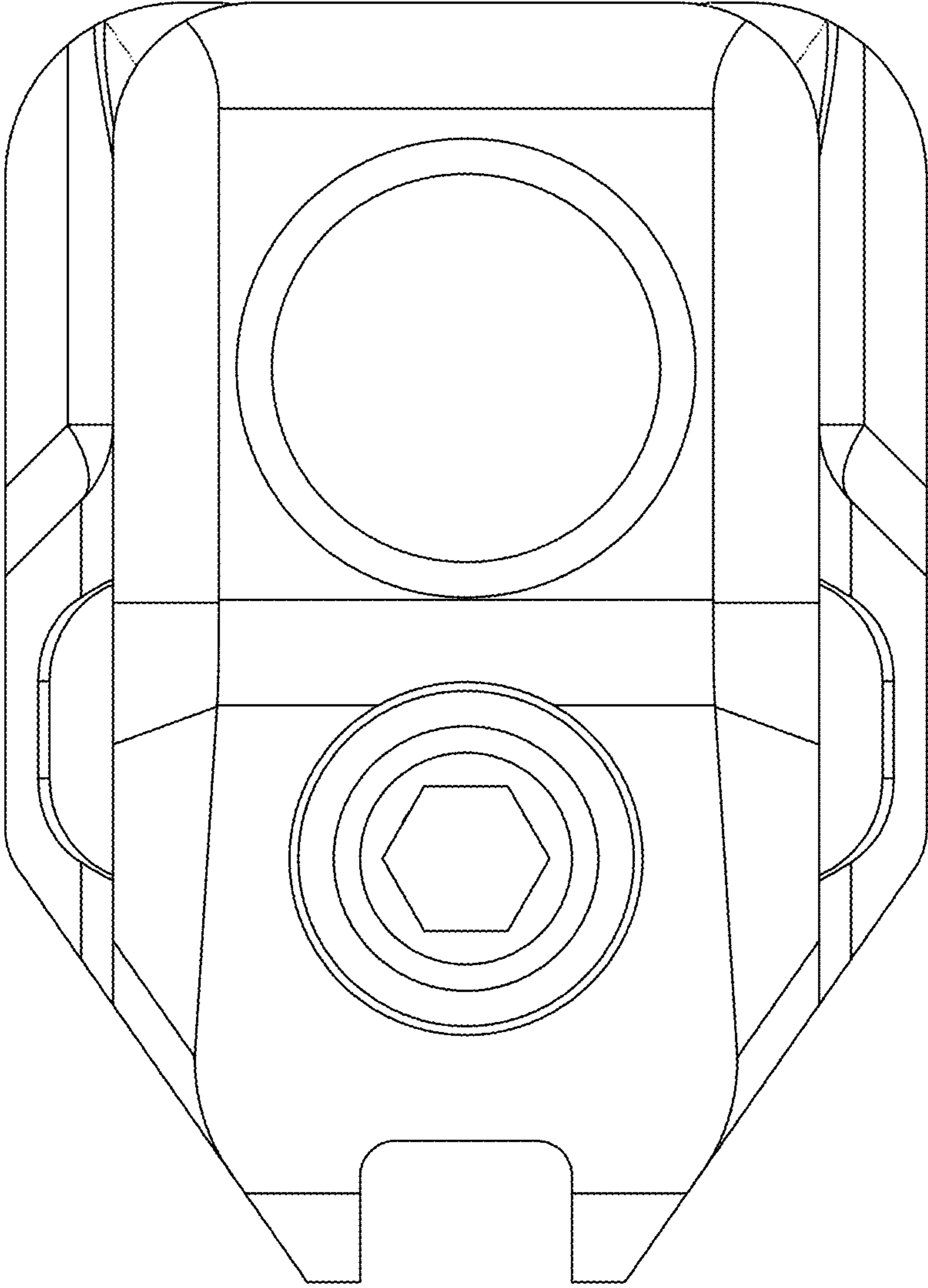


FIG. 6

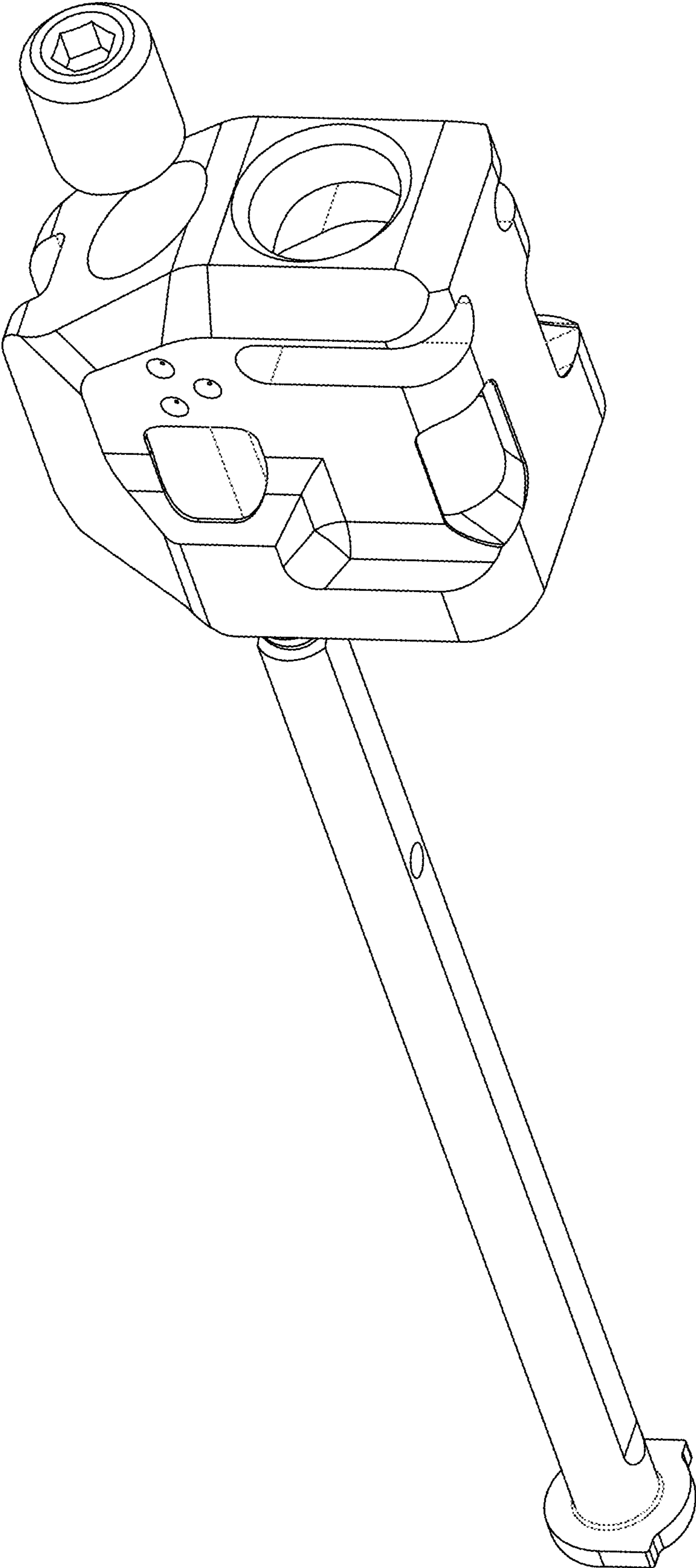


FIG. 7

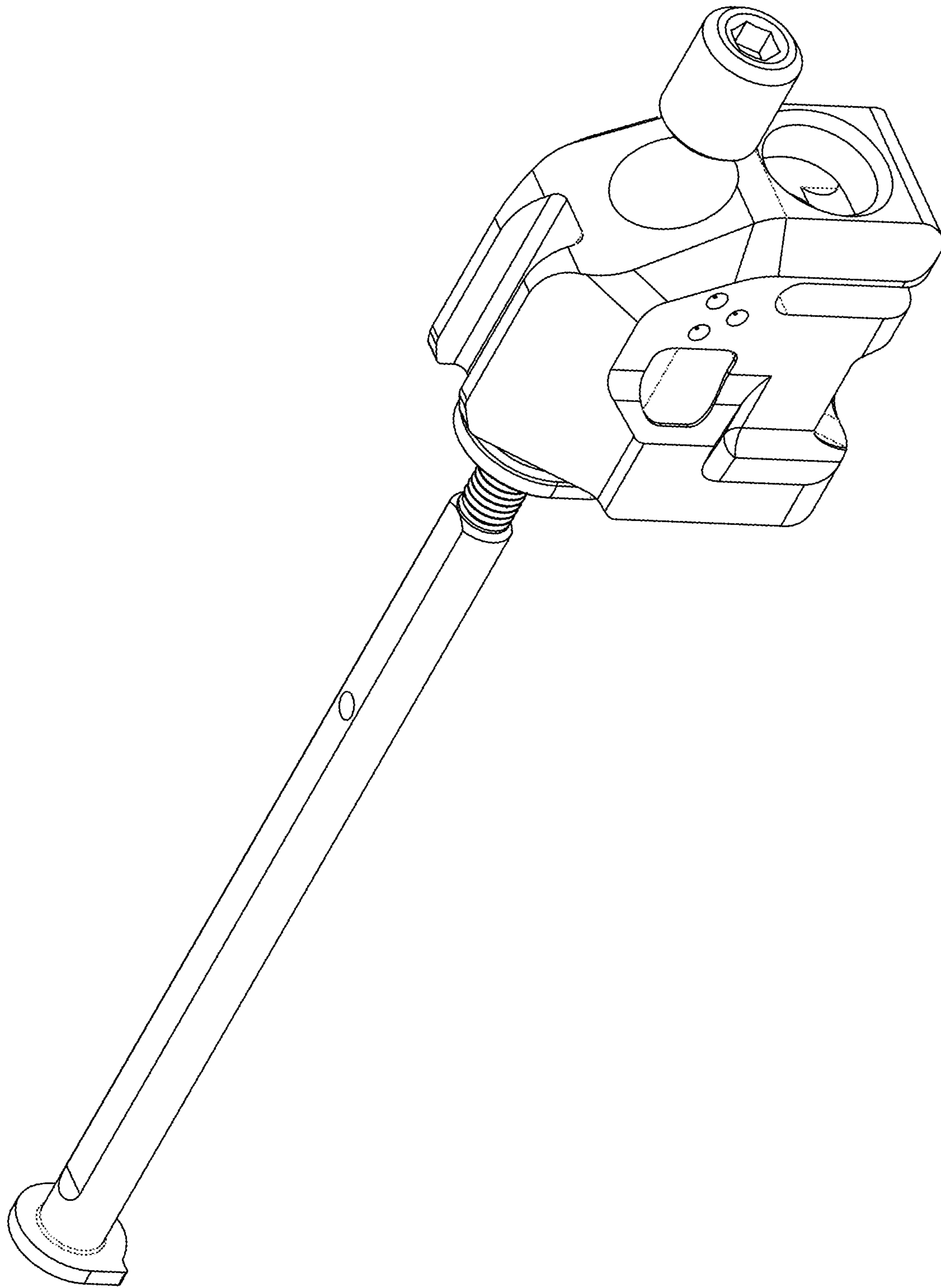


FIG. 8

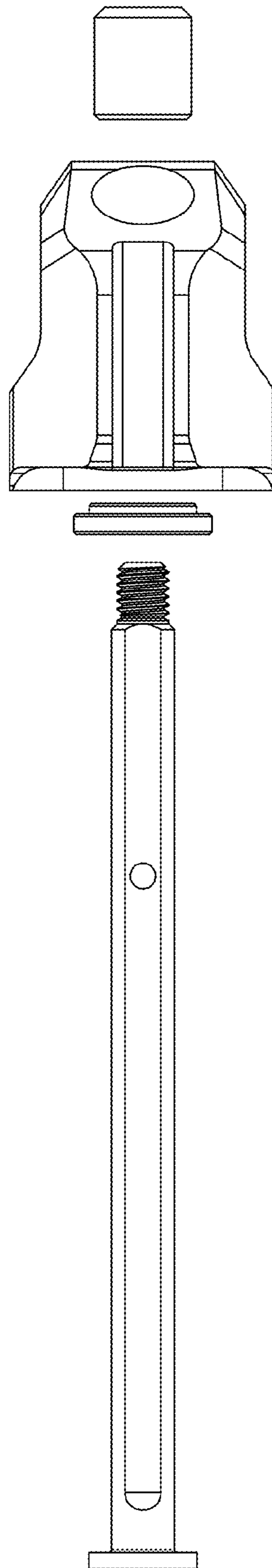


FIG. 9