

US00D909526S

(12) **United States Design Patent**
Engler et al.

(10) **Patent No.:** **US D909,526 S**

(45) **Date of Patent:** **** *Feb. 2, 2021**

(54) **POOL FLOAT**

(71) Applicant: **P&P Imports, LLC**, Santa Ana, CA
(US)

(72) Inventors: **Peter Engler**, Newport Beach, CA
(US); **Peter Tanoury**, Newport Beach,
CA (US); **Sean Kyne**, Dana Point, CA
(US)

(73) Assignee: **P&P Imports LLC**, Irvine, CA (US)

(*) Notice: This patent is subject to a terminal dis-
claimer.

(**) Term: **15 Years**

(21) Appl. No.: **29/579,845**

(22) Filed: **Oct. 4, 2016**

(51) **LOC (13) Cl.** **21-02**

(52) **U.S. Cl.**

USPC **D21/808**

(58) **Field of Classification Search**

USPC D21/542, 544, 547, 646, 760, 761, 762,
D21/764, 769, 770, 771, 778, 792, 801,
D21/803, 804, 805, 806, 807, 808, 810;
D12/301, 302, 303, 306, 310, 311, 312,
D12/313, 314, 316

CPC A41D 13/0518; A63B 2208/03; A63B
2225/605; A63B 31/00; A63B 31/10;
A63B 69/14; A63B 31/11; B63B 21/66;
B63C 11/02

See application file for complete search history.

(56) **References Cited**

U.S. PATENT DOCUMENTS

D161,906 S * 2/1951 Cohen D21/608
D162,126 S * 2/1951 Burkes D21/620
D162,333 S * 3/1951 Moore 446/153
D163,061 S * 4/1951 Meyer et al. D21/620
D256,736 S * 9/1980 Bajork D2/741

D291,716 S * 9/1987 Wolfe D21/619
D301,910 S * 6/1989 Wolfe D21/808
D302,718 S * 8/1989 Wolfe D21/808
D302,995 S * 8/1989 Wolfe D21/808
D302,996 S * 8/1989 Wolfe D21/808

(Continued)

OTHER PUBLICATIONS

“GoFloats Inflatable Unicorn Drink Holder”. [online]. GoFloats.
[Product review as early as Jul. 18, 2016]. Retrieved from the
Internet: <<https://www.amazon.com/dp/B01G3J31V6>>.*

Primary Examiner — Khawaja Anwar

Assistant Examiner — Mojtaba Tehrani

(74) *Attorney, Agent, or Firm* — Casey H. Kempner

(57) **CLAIM**

The ornamental design for a pool float, as shown and
described.

DESCRIPTION

FIG. 1. is a front perspective view of a pool float, showing
the claimed design;

FIG. 2. is a left side view thereof, the right side view being
a mirror image of the left side view;

FIG. 3. is a front view thereof;

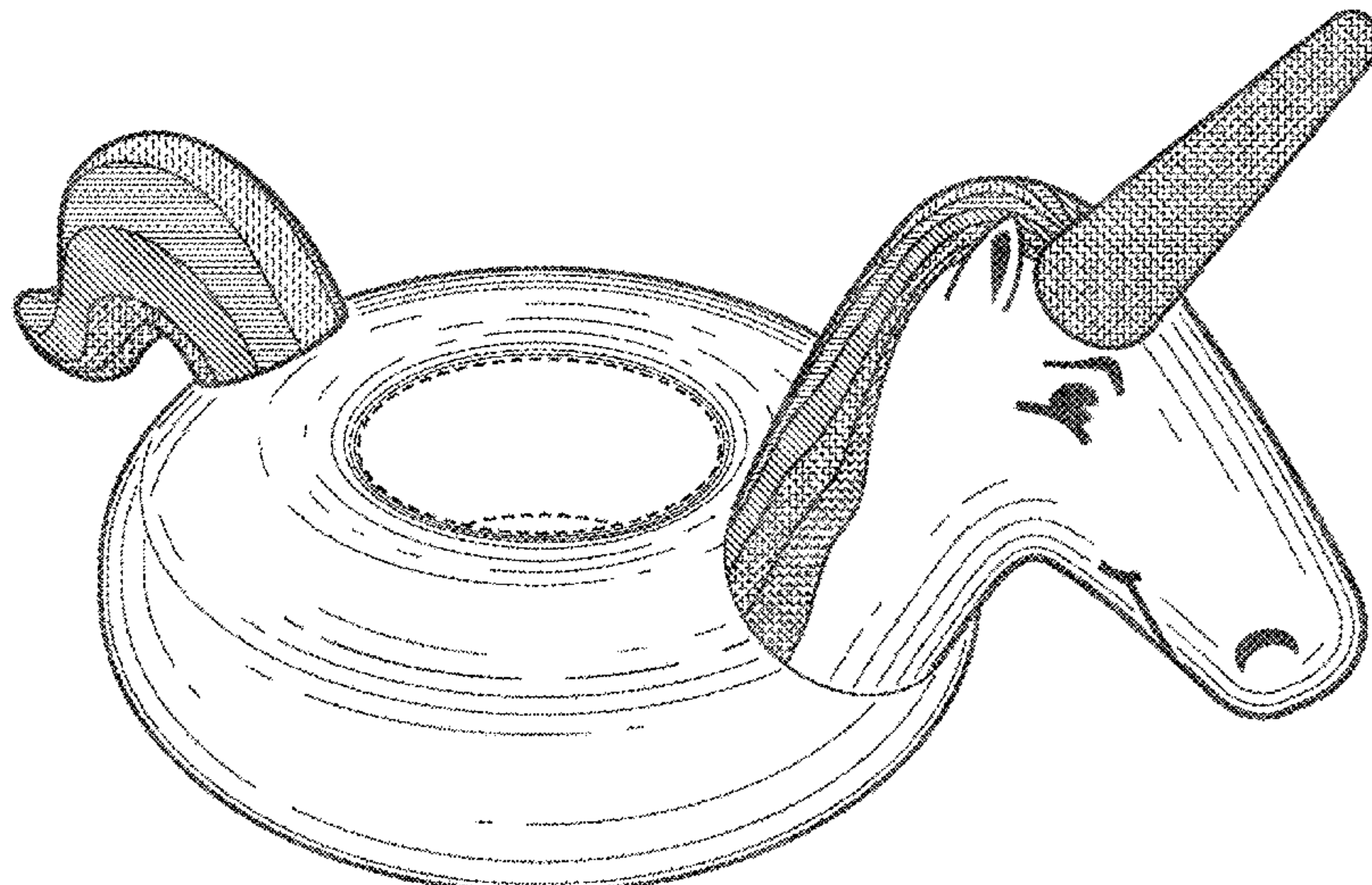
FIG. 4. is a back view thereof;

FIG. 5. is a top view thereof; and,

FIG. 6. is a bottom view thereof.

The evenly broken line in the drawings depicts unclaimed
portion of the float, while the dash-dot broken line depicts
boundary of the claimed design. The broken lines form no
part of the claimed design. In certain aspects, the drawings
are lined for color, wherein the solid black pattern is solid
black, the dashed vertical line pattern is magenta, the
horizontal parallel line pattern is blue, the backward slanting
parallel line pattern is green, the broken squared pattern is
gold on the horn of the pool float, and yellow on the
remaining portions of the broken squared pattern, and the
diagonal broken line pattern indicates orange.

1 Claim, 6 Drawing Sheets



(56)

References Cited

U.S. PATENT DOCUMENTS

D455,388 S *	4/2002	McKeeta	D12/301
D759,182 S *	6/2016	Wampold	D21/808
D783,370 S *	4/2017	Su	D21/808
D787,617 S *	5/2017	Krepack	D21/808
D827,751 S *	9/2018	Ligeri	D21/808

* cited by examiner

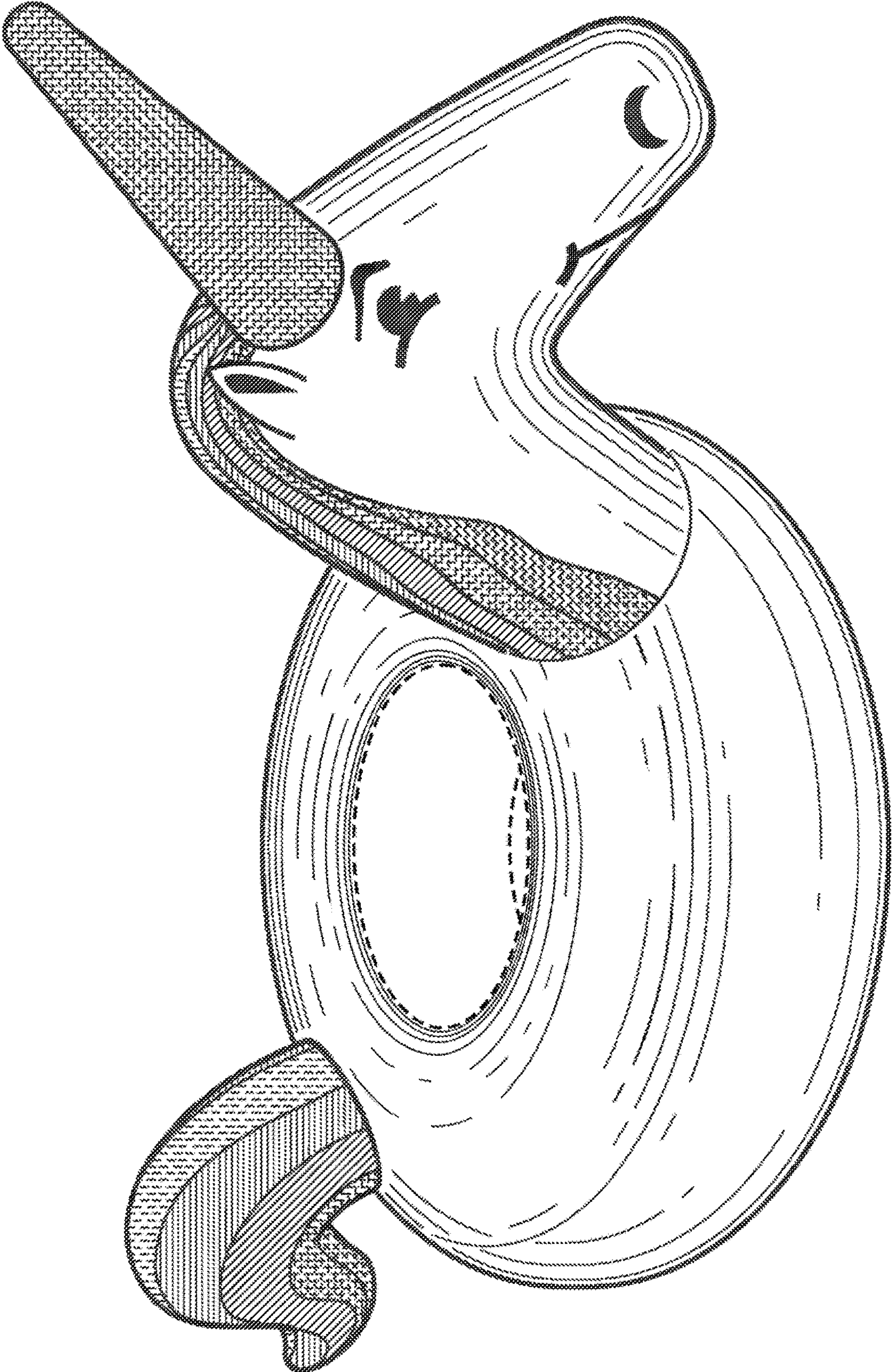


FIG. 1

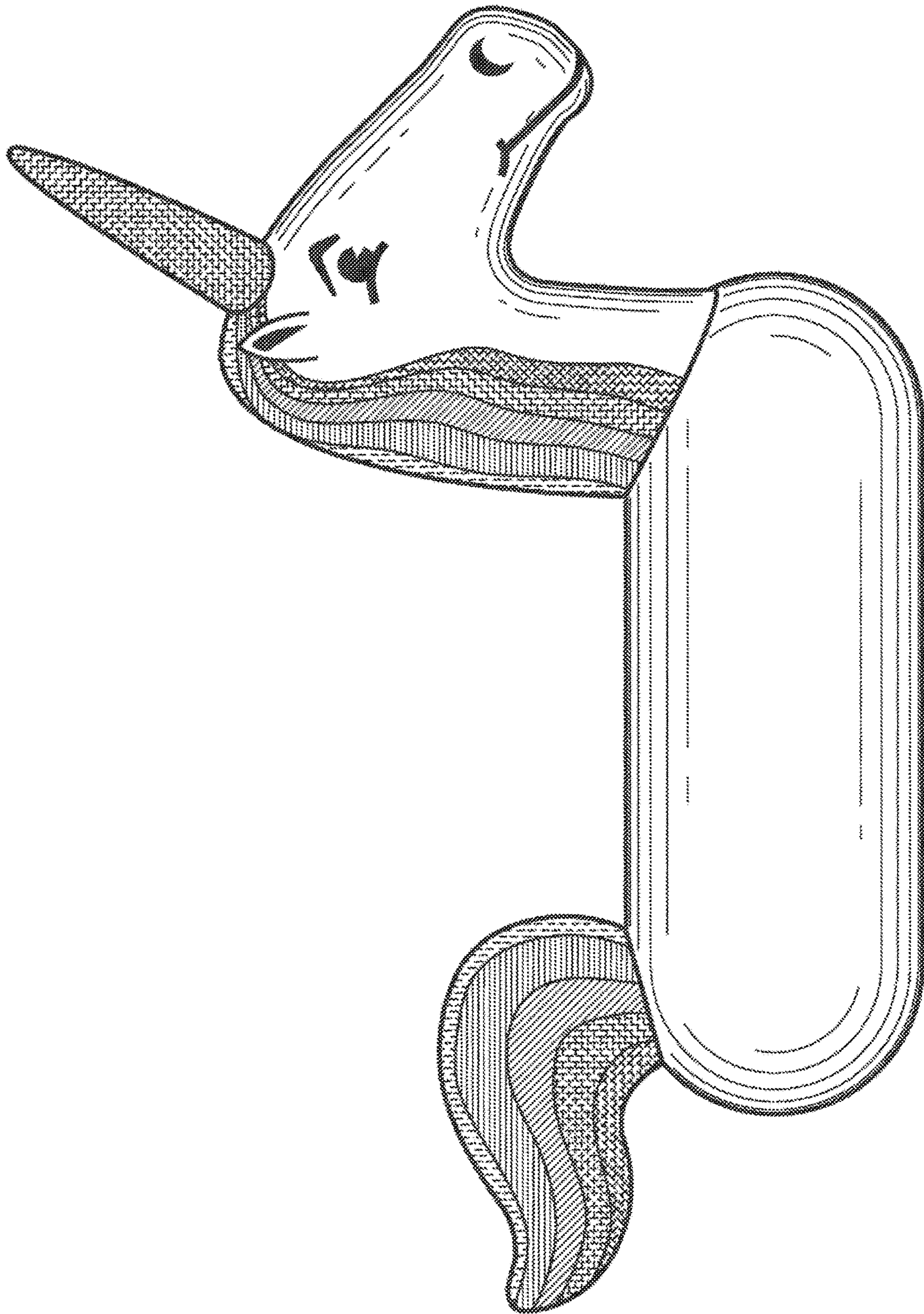


FIG. 2

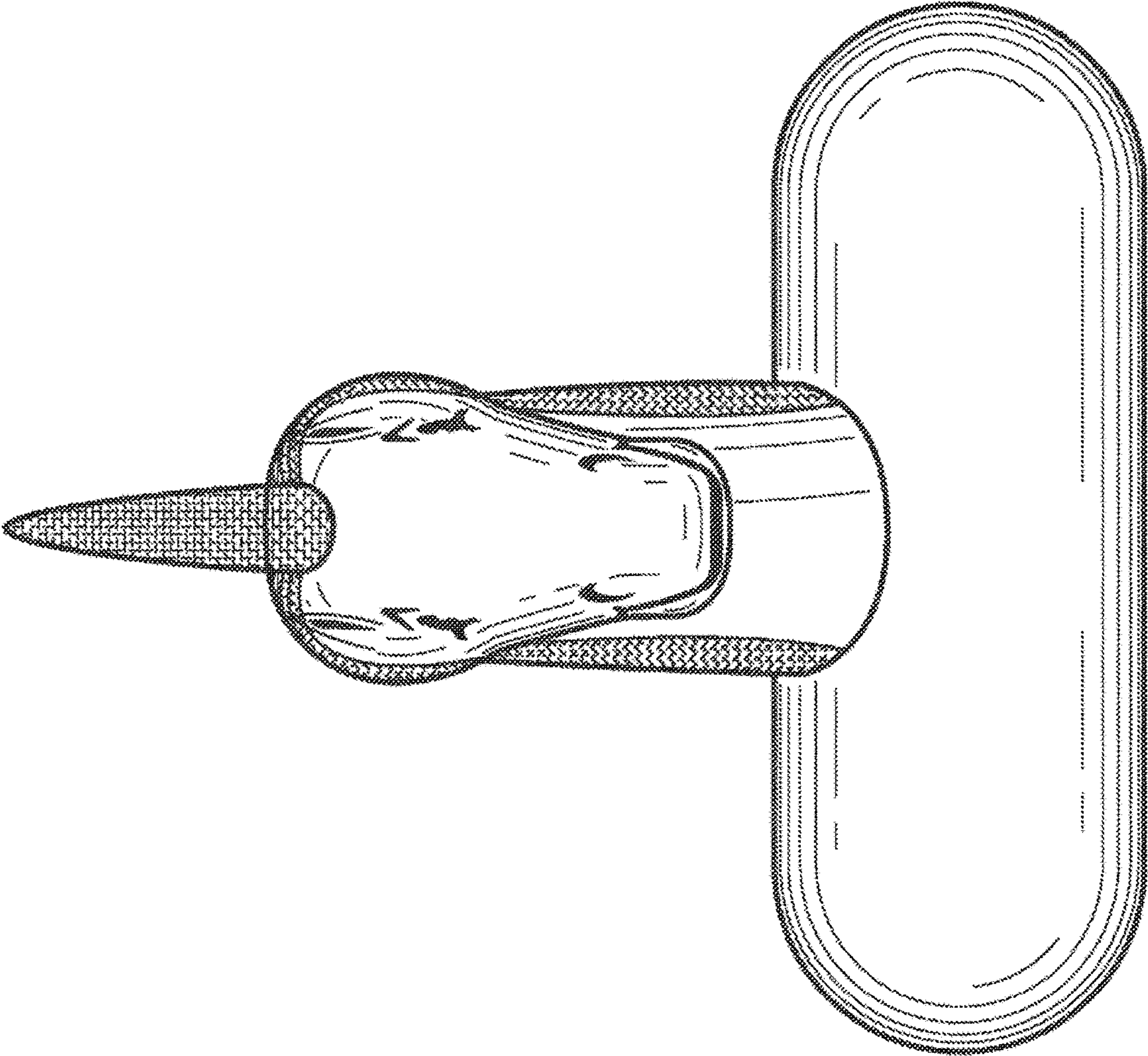


FIG. 3

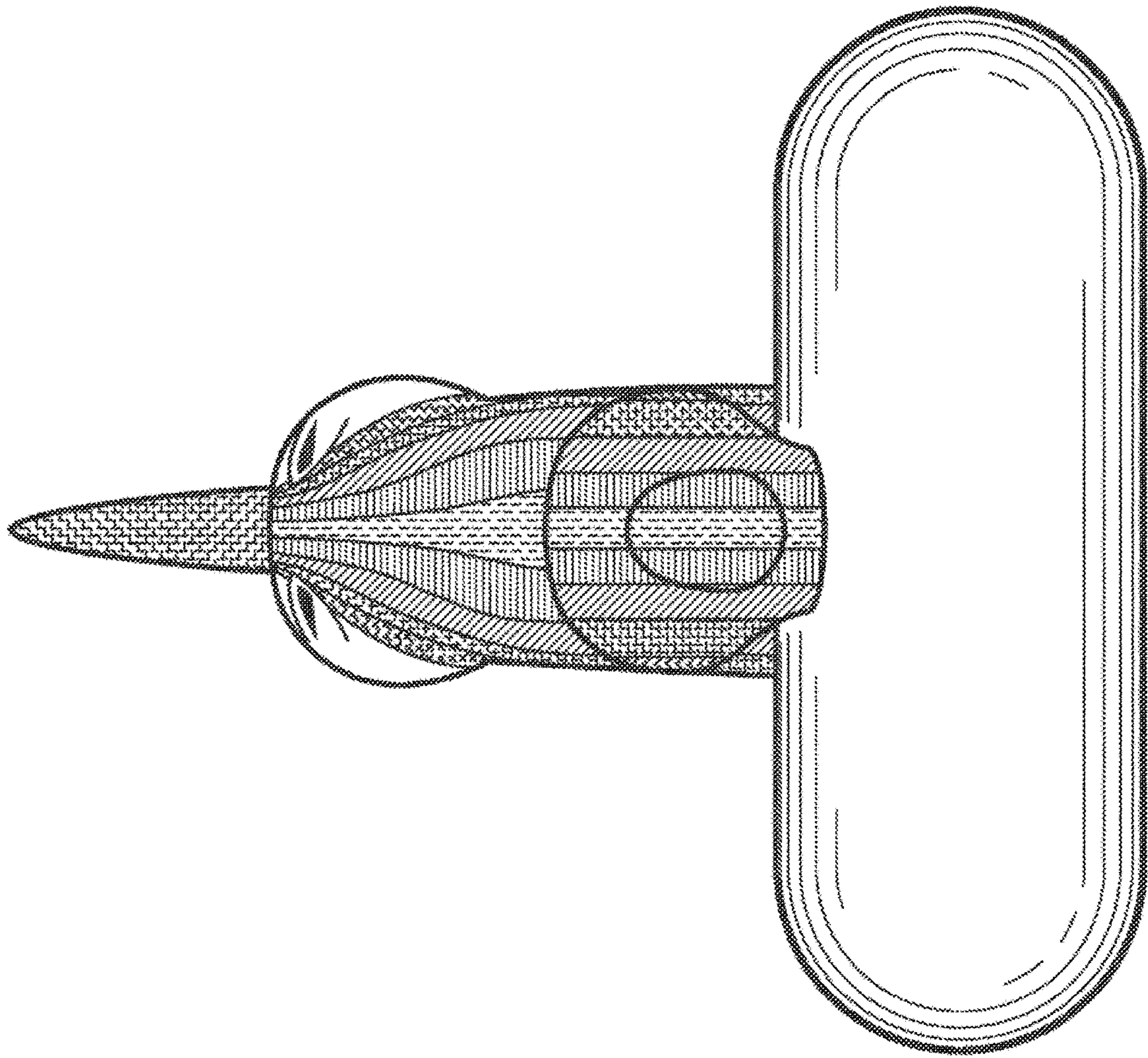


FIG. 4

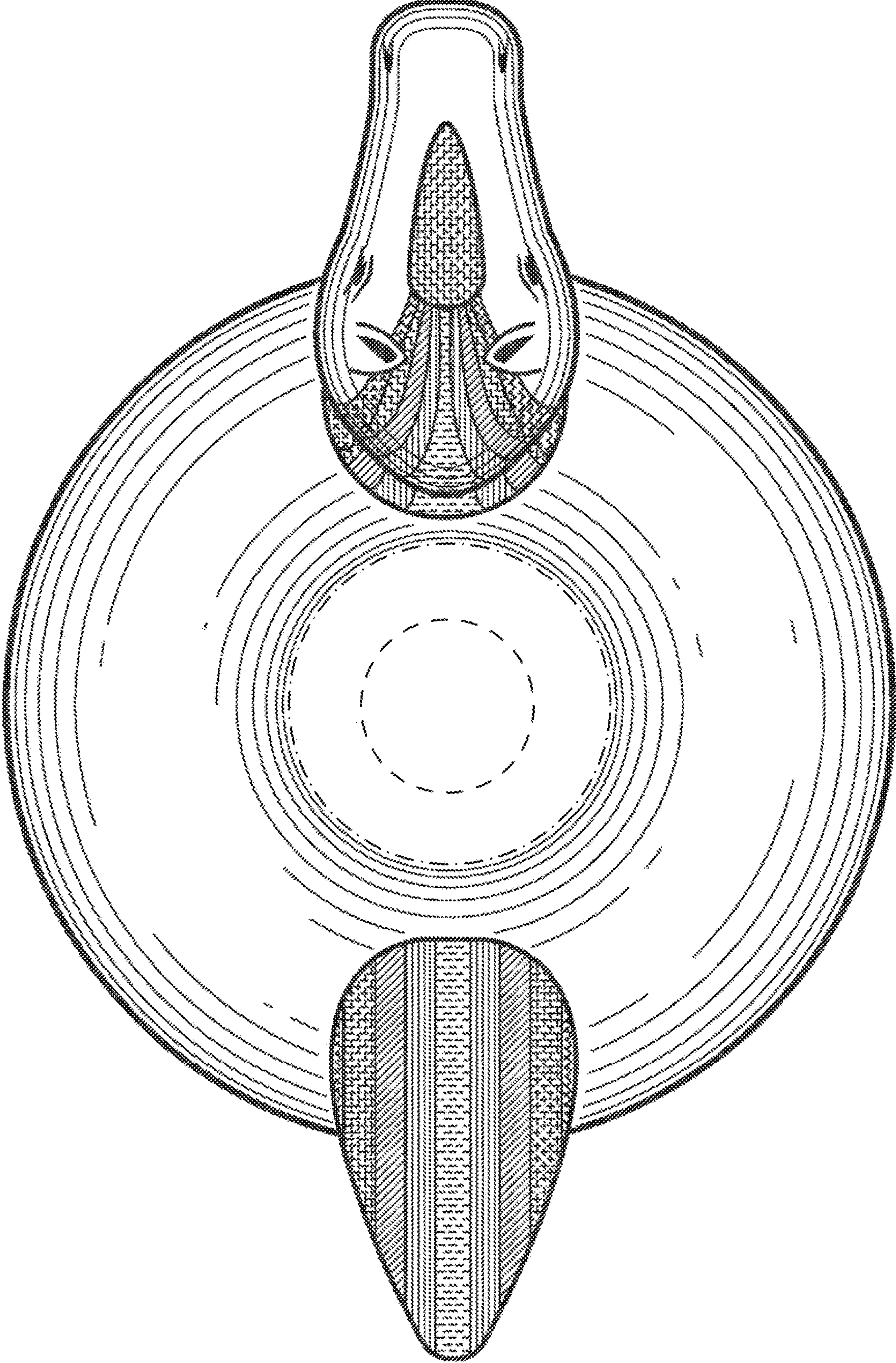


FIG. 5

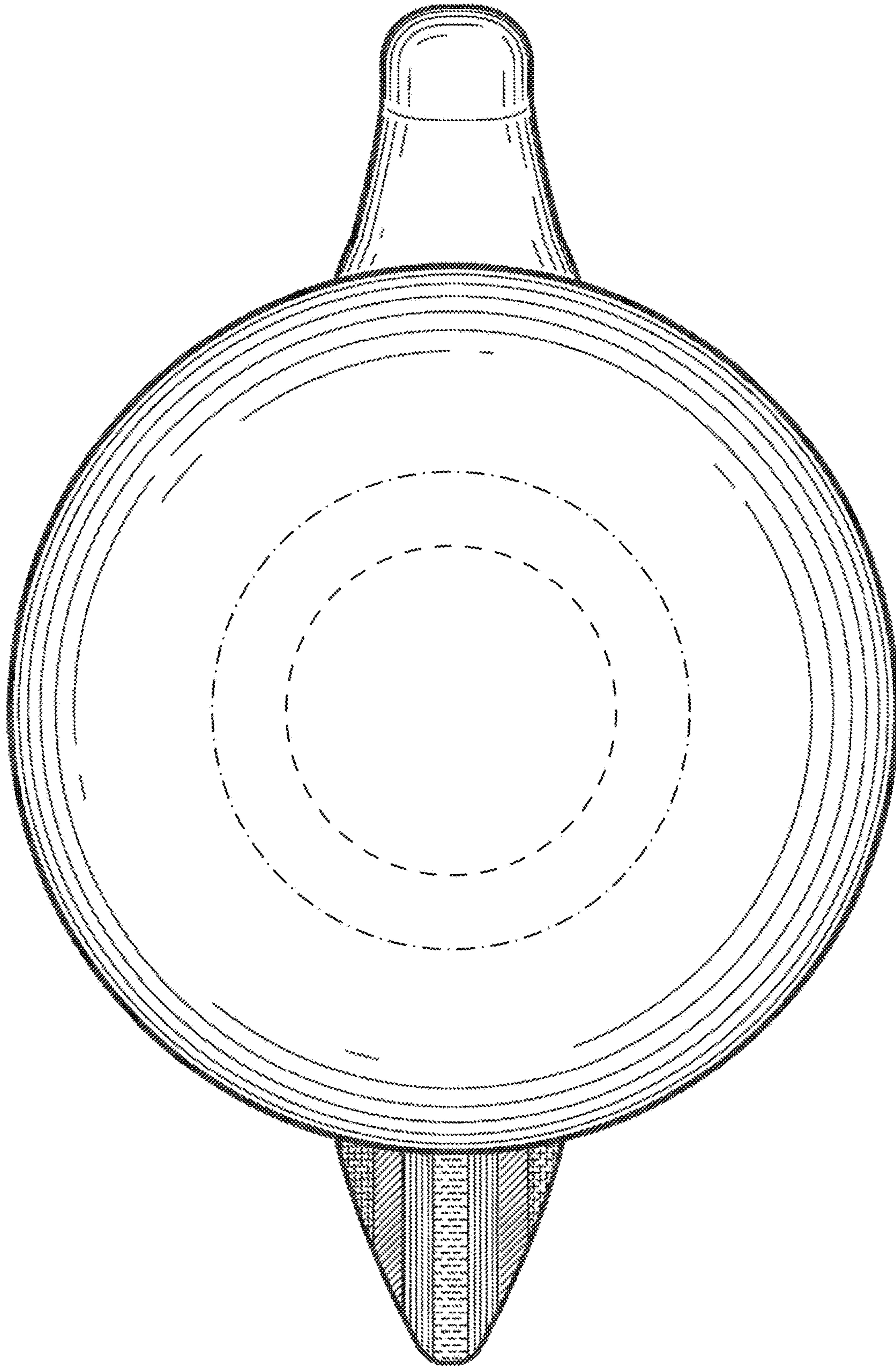


FIG. 6