



US00D909525S

(12) **United States Design Patent**
Gardner et al.

(10) **Patent No.:** **US D909,525 S**

(45) **Date of Patent:** **** Feb. 2, 2021**

(54) **WATERPARK FLOAT**

(71) Applicant: **The Entertainment Group LLC**,
Redmond, WA (US)

(72) Inventors: **Samuel T. Gardner**, Issaquah, WA
(US); **Patrick W. Panakos**, Belle Isle,
FL (US)

(73) Assignee: **The Entertainment Group, LLC**,
Redmond, WA (US)

(**) Term: **15 Years**

(21) Appl. No.: **29/624,796**

(22) Filed: **Nov. 3, 2017**

(51) **LOC (13) Cl.** **21-01**

(52) **U.S. Cl.**
USPC **D21/803**

(58) **Field of Classification Search**
USPC D21/646, 769–771, 778, 792, 801,
D21/803–810, 814, 818–819
(Continued)

(56) **References Cited**

U.S. PATENT DOCUMENTS

D340,099 S * 10/1993 Warren D21/818
D344,773 S * 3/1994 Aker D21/818
(Continued)

OTHER PUBLICATIONS

Kahuna Twin Peaks Kids Inflatable Splash Pool Backyard Water Slide Park: Published Jul. 6, 2016 [online], site visited Mar. 1, 2020. Available from Internet URL: <https://www.walmart.com/ip/Kahuna-Twin-Peaks-Kids-Inflatable-Splash-Pool-Backyard-Water-Slide-Park/49220335?wmlspartner=wlp> (Year: 2016).*

(Continued)

Primary Examiner — Michael C Stout

Assistant Examiner — Melvin L Davis

(74) *Attorney, Agent, or Firm* — Fogg & Powers LLC

(57) **CLAIM**

The ornamental design for a waterpark float, as shown and described.

DESCRIPTION

FIG. 1 is a front perspective view of a first embodiment of the waterpark float.

FIG. 2 is a front view of the first embodiment of the waterpark float.

FIG. 3 is a rear view of the first embodiment of the waterpark float.

FIG. 4 is a side view of the first embodiment of the waterpark float.

FIG. 5 is another side view of the first embodiment of the waterpark float.

FIG. 6 is a top view of the first embodiment of the waterpark float.

FIG. 7 is a bottom view of the first embodiment of the waterpark float.

FIG. 8 is a front perspective view of a second embodiment of the waterpark float.

FIG. 9 is a front view of the second embodiment of the waterpark float.

FIG. 10 is a rear view of the second embodiment of the waterpark float.

FIG. 11 is a side view of the second embodiment of the waterpark float.

FIG. 12 is another side view of the second embodiment of the waterpark float.

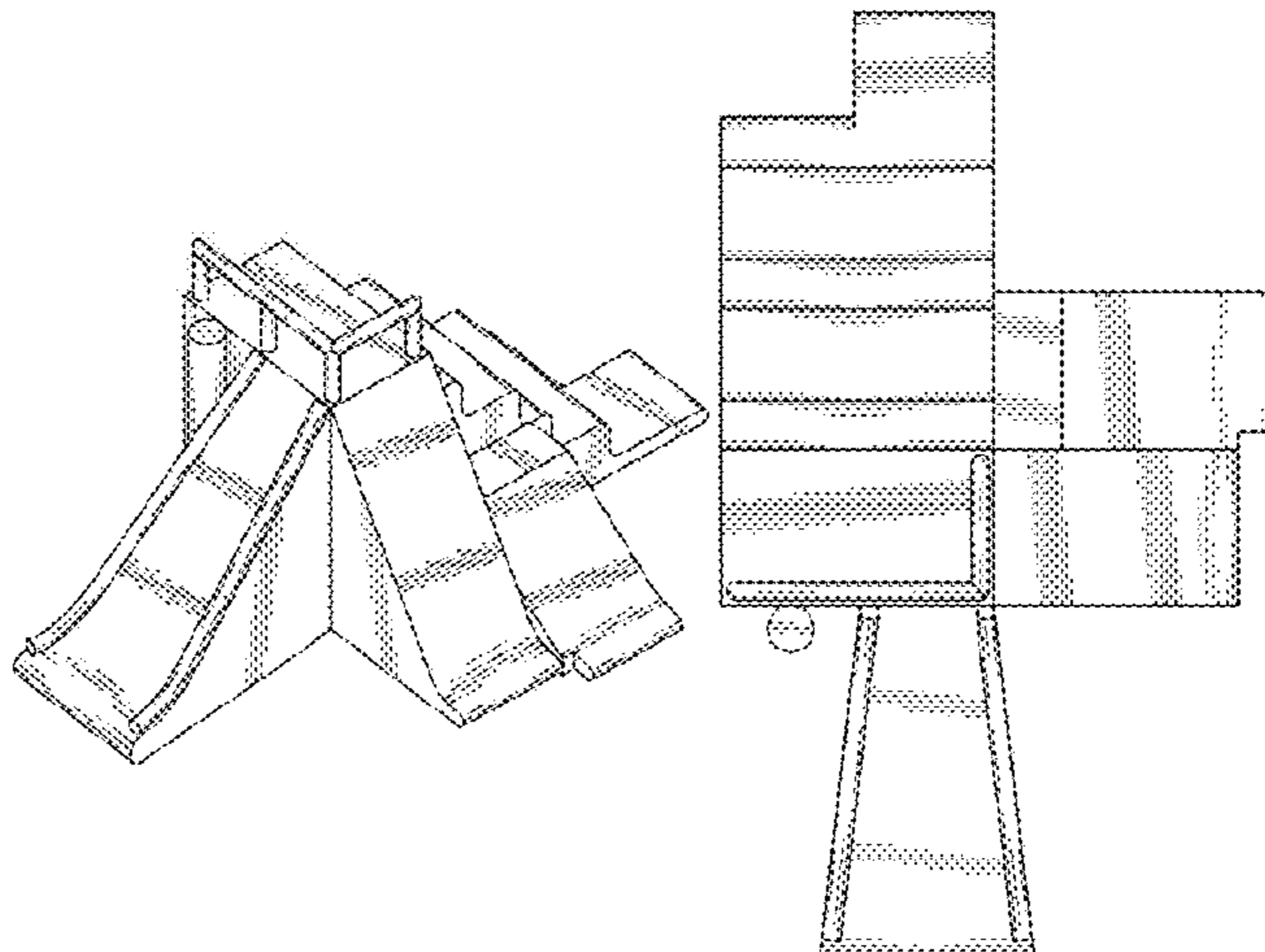
FIG. 13 is a top view of the second embodiment of the waterpark float; and,

FIG. 14 is a bottom view of the second embodiment of the waterpark float.

The broken-outlined portion of the bottom of the waterpark float in FIG. 7 is included to illustrate environment but forms no part of the first embodiment of the claimed design.

The showing of evenly-spaced broken lines is included for the purpose of illustrating environmental structure and forms no part of the claimed design. The evenly-spaced broken lines in FIGS. 7 & 14 represent boundary lines and do not form part of the claimed design.

(Continued)



The broken-line features of the waterpark float in FIGS. **8-13**, and the broken-outlined portion of the bottom of the waterpark float in FIG. **14**, are included to illustrate environment but form no part of the second embodiment of the claimed design.

1 Claim, 8 Drawing Sheets

(58) Field of Classification Search

CPC .. A41D 13/0518; A63B 2208/03; B63B 21/66
See application file for complete search history.

(56) References Cited

U.S. PATENT DOCUMENTS

D400,948 S *	11/1998	Fish, Jr.	D21/818
D418,895 S *	1/2000	Ruggiero	D21/818
D557,369 S *	12/2007	Robinson	D21/818
D597,163 S *	7/2009	Boulton	D21/819
D619,186 S *	7/2010	Strall	D21/818

7,789,804 B1 *	9/2010	Phillips	A63B 69/18 482/35
D639,887 S *	6/2011	Cirjak	D21/818
D730,469 S *	5/2015	Chen	D21/819
D818,072 S *	5/2018	Rademacher	D21/803
D824,467 S *	7/2018	Rademacher	D21/803
D832,965 S *	11/2018	Keller	D21/818
D861,820 S *	10/2019	Rademacher	D21/835
D866,698 S *	11/2019	Wu	D21/818

OTHER PUBLICATIONS

Gardner et al, "Central Park", "U.S. Appl. No. 29/624,786, filed Nov. 3, 2017", pp. 1-6, Published in: US.
 Gardner et al, "Figure 8", "U.S. Appl. No. 29/624,799, filed Nov. 3, 2017", pp. 1-12, Published in: US.
 Gardner et al, "Overpass", "U.S. Appl. No. 29/624,794, filed Nov. 3, 2017", pp. 1-5, Published in: US.
 Gardner et al, "Start Base-Step", "U.S. Appl. No. 29/624,788, filed Nov. 3, 2017", pp. 1-10, Published in: US.
 Gardner et al, "Zero Entry Ramp", "U.S. Appl. No. 29/624,790, filed Nov. 3, 2017", pp. 1-6, Published in: US.

* cited by examiner

FIG. 1

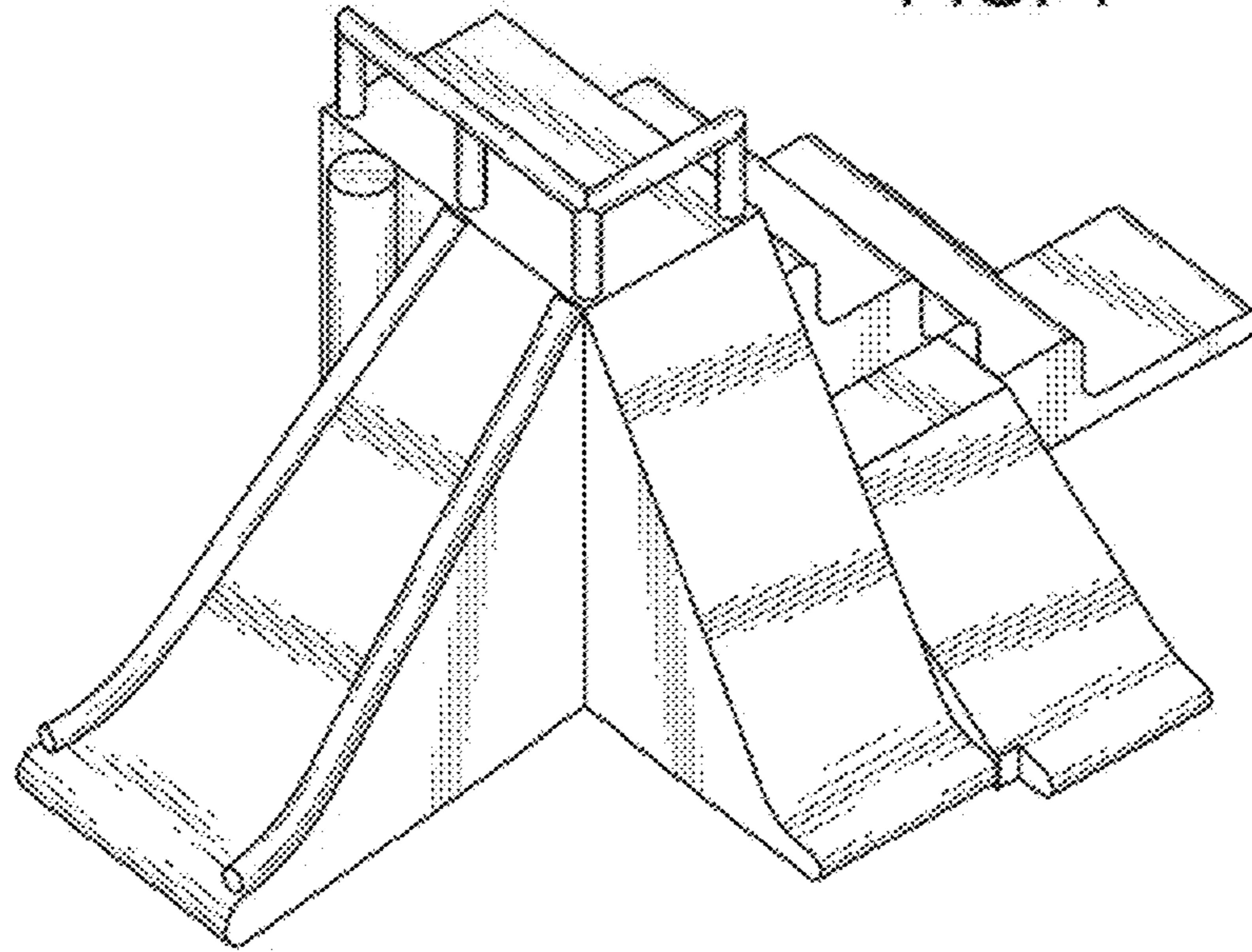


FIG. 2

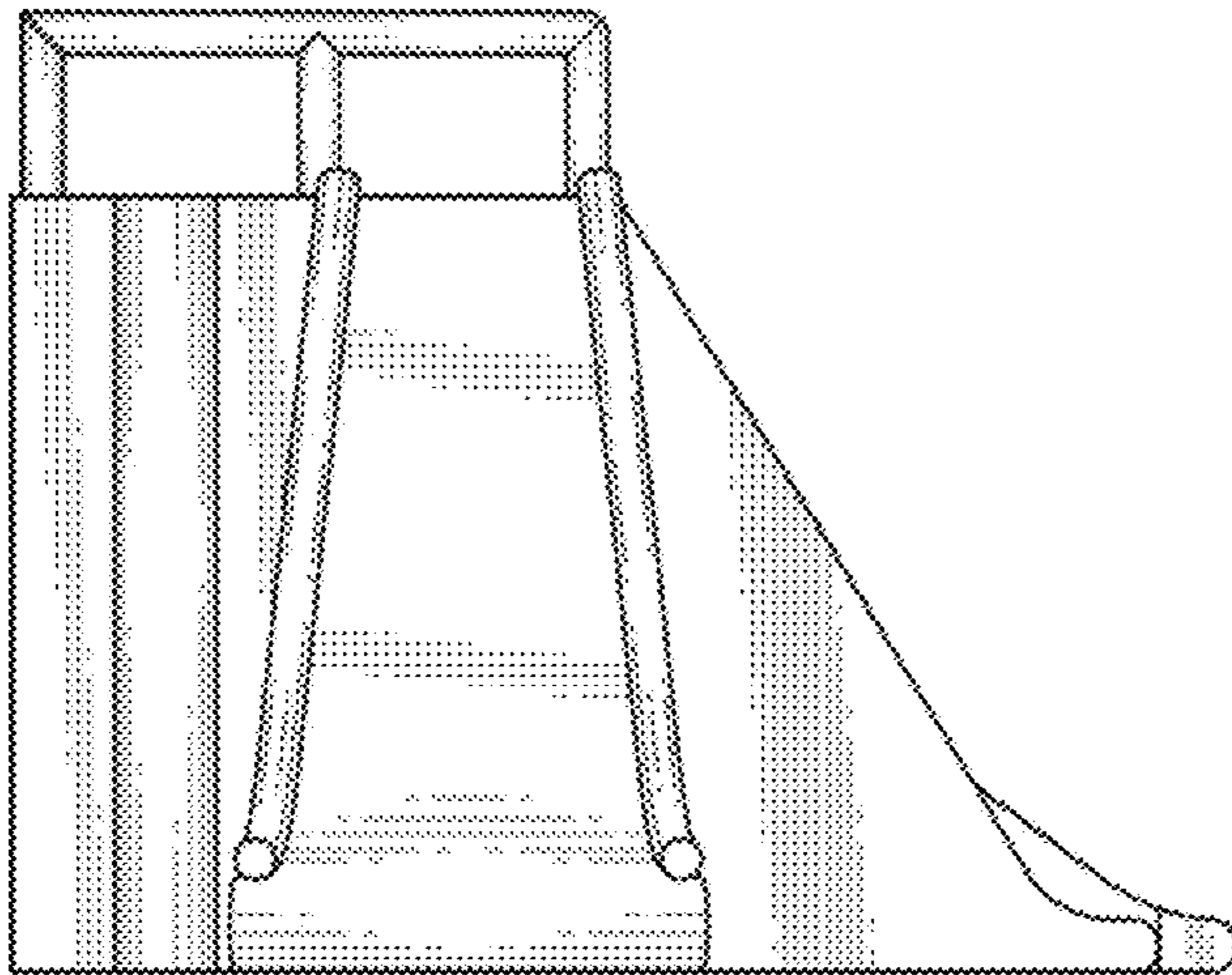


FIG. 3

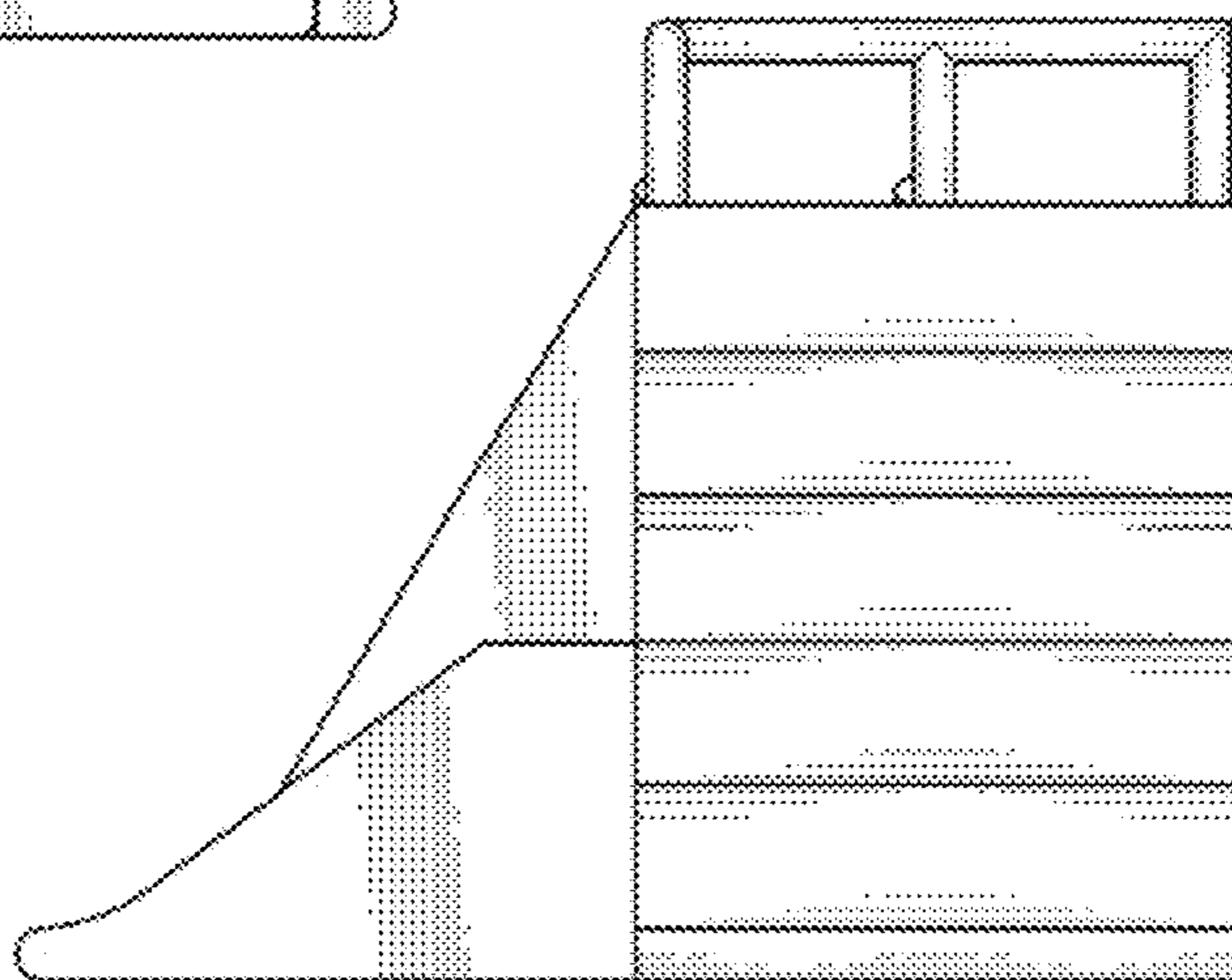


FIG. 4

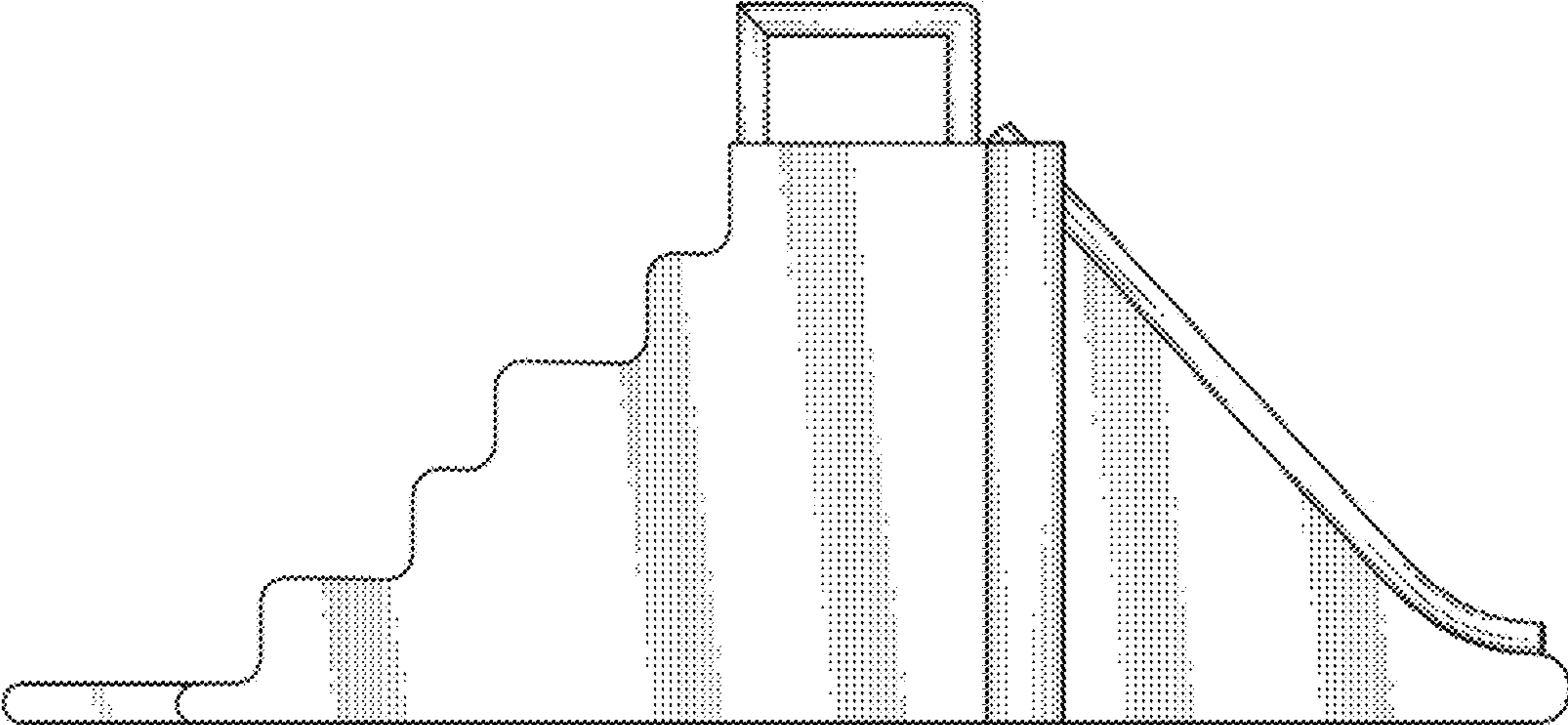


FIG. 5

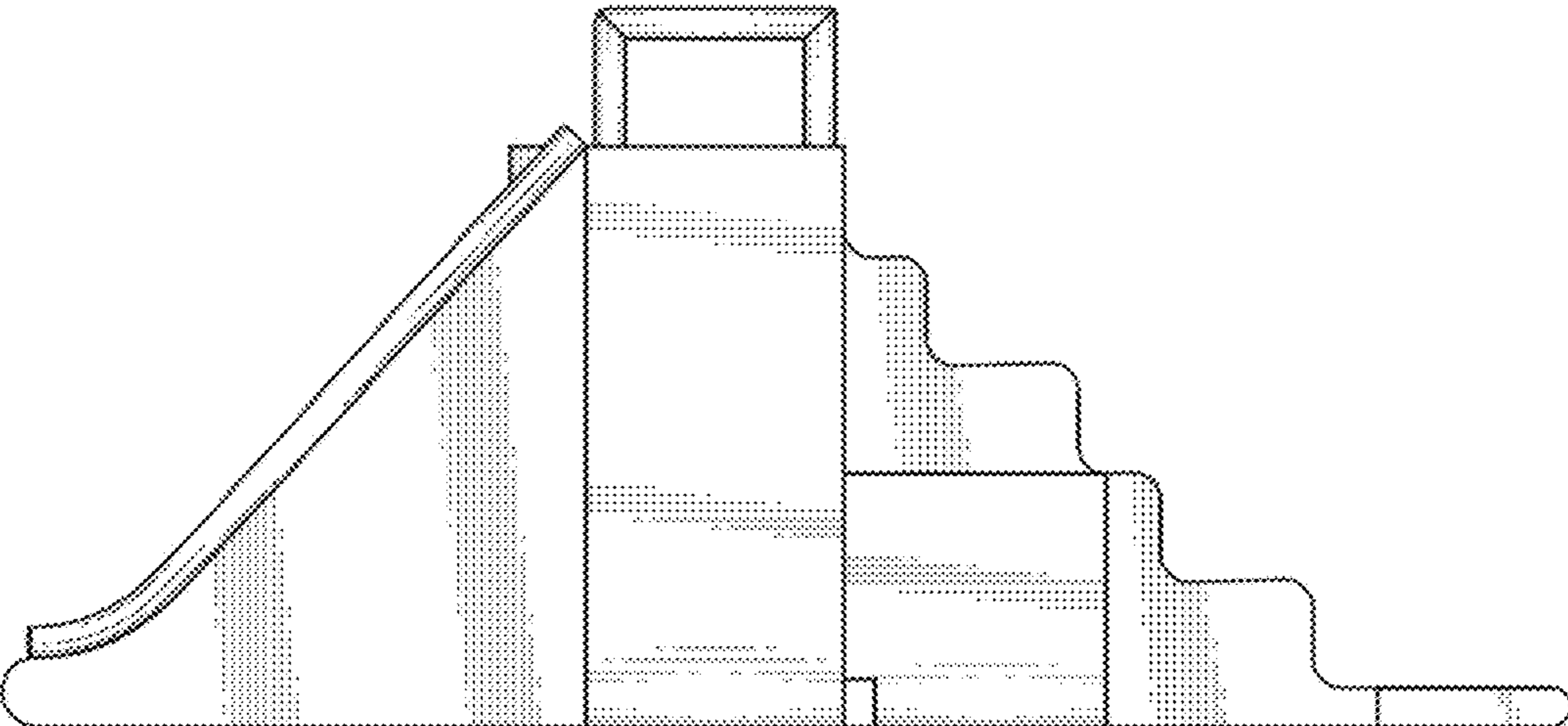


FIG. 6

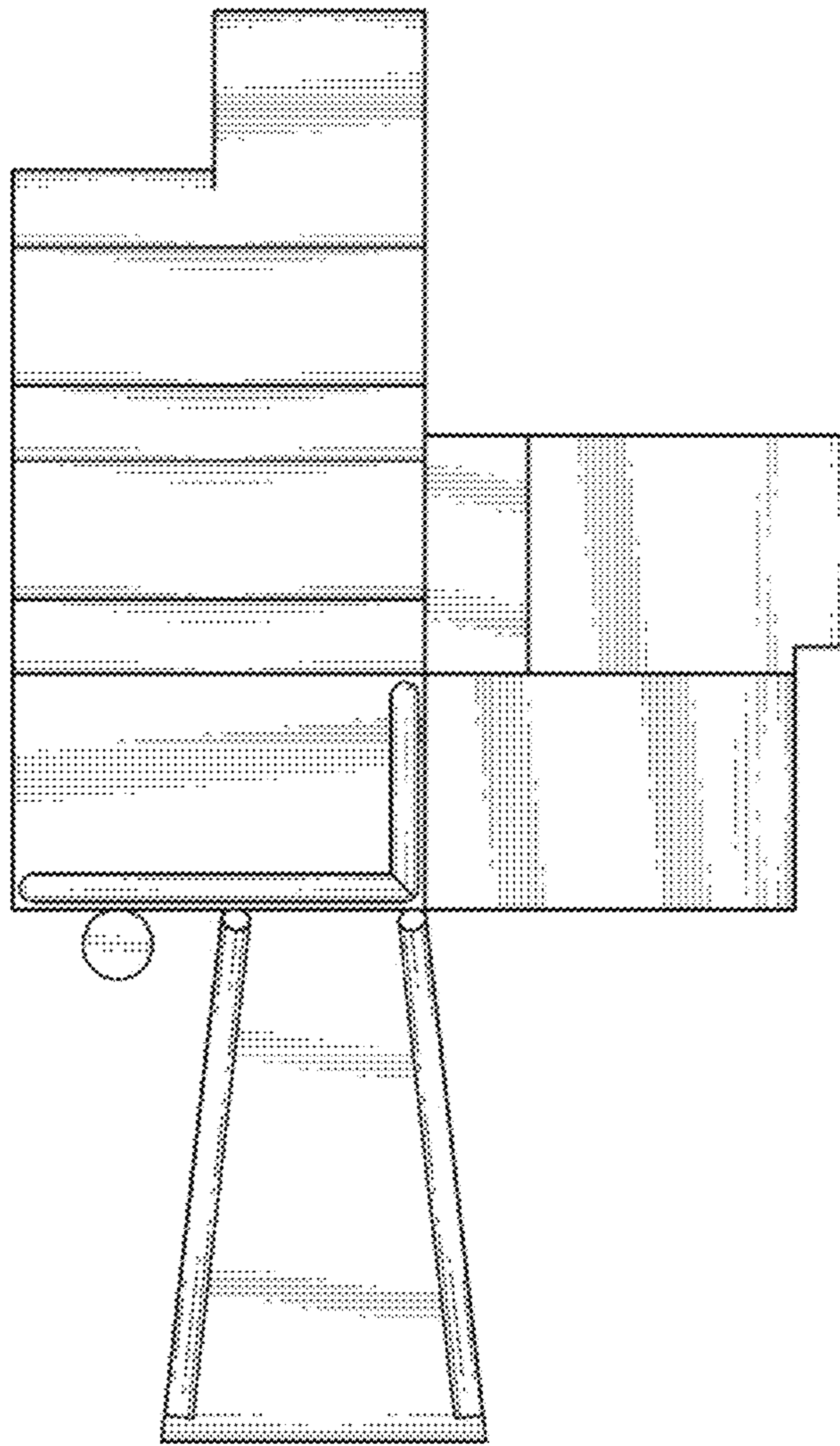


FIG. 7

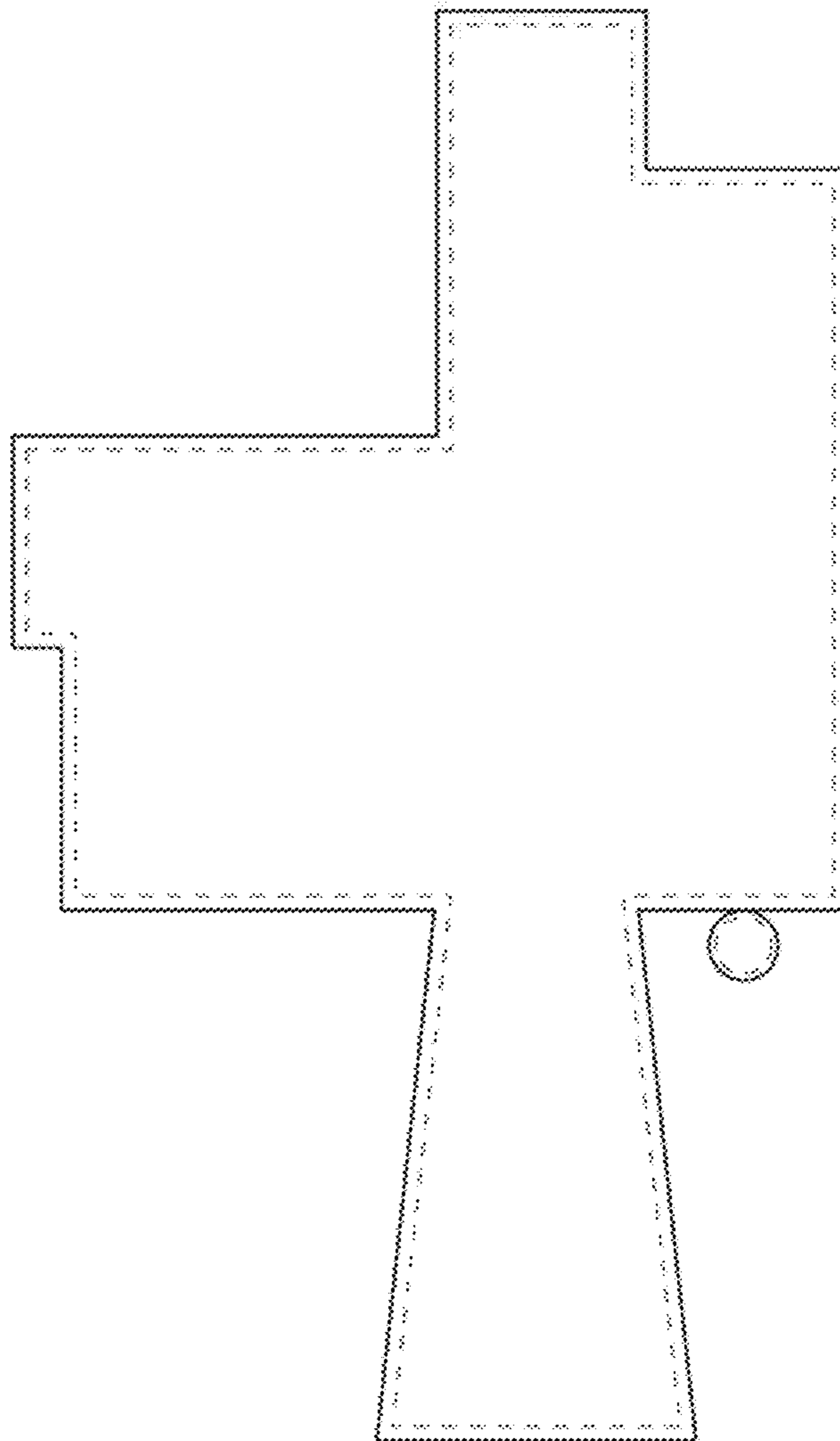


FIG. 8

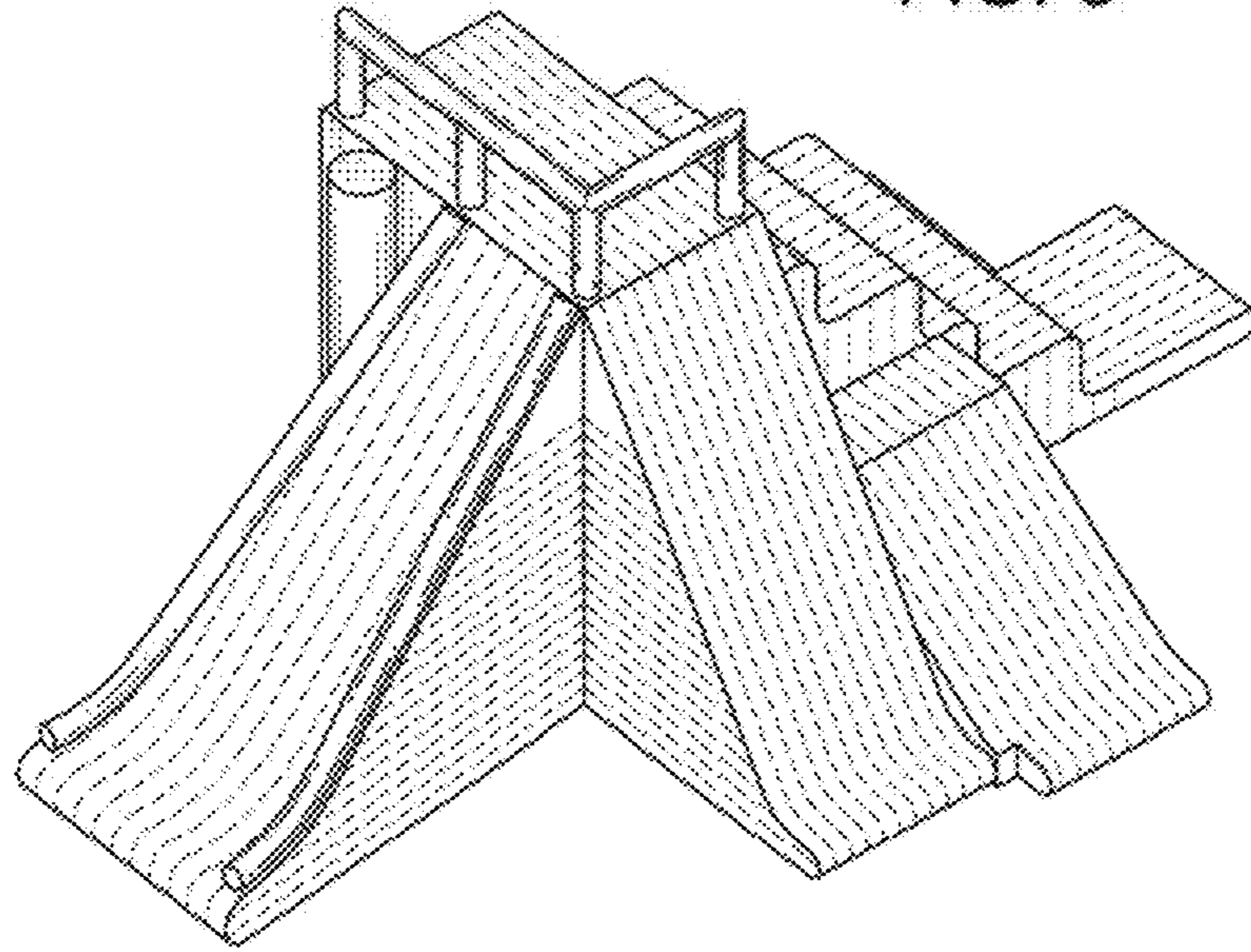


FIG. 9

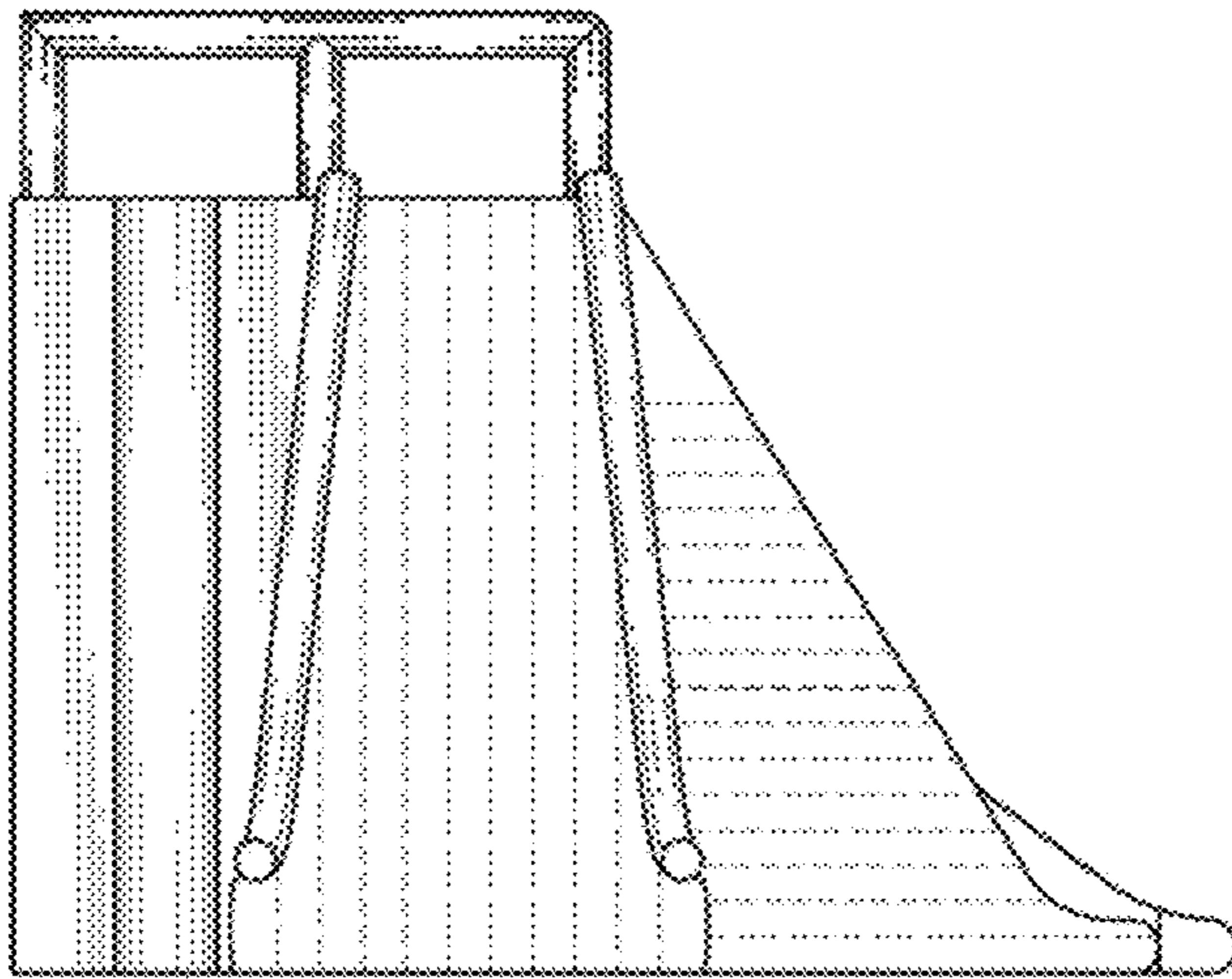


FIG. 10

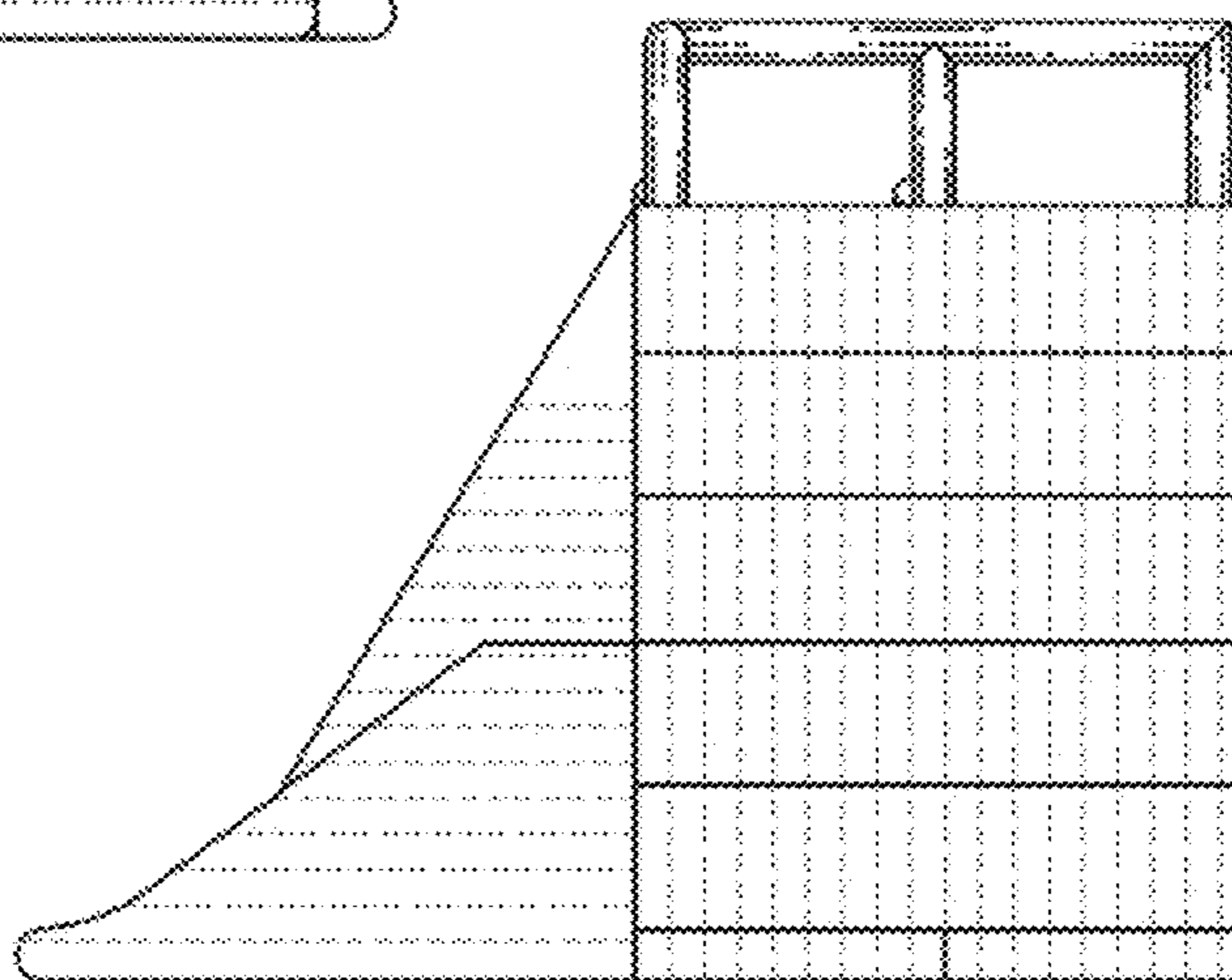


FIG. 11

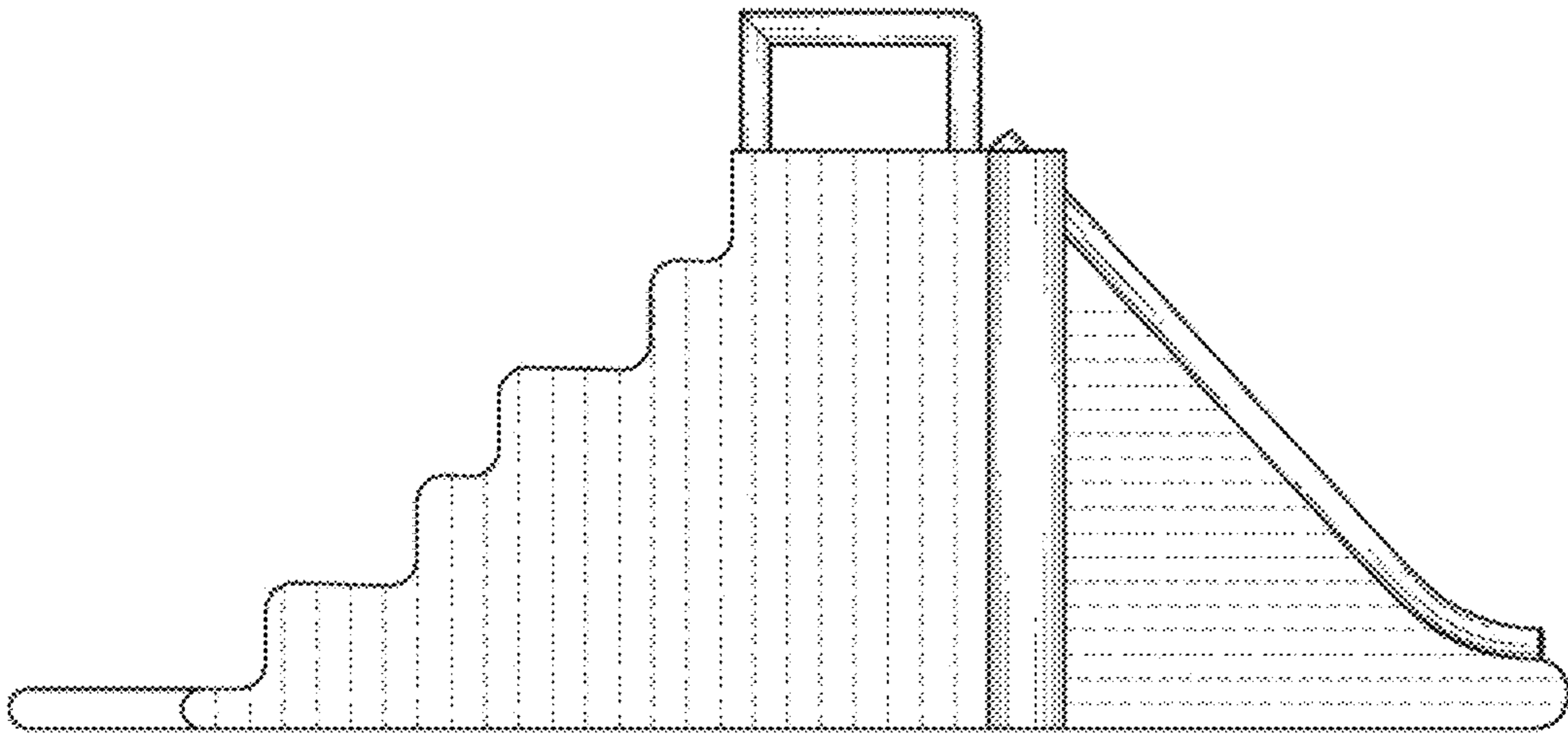


FIG. 12

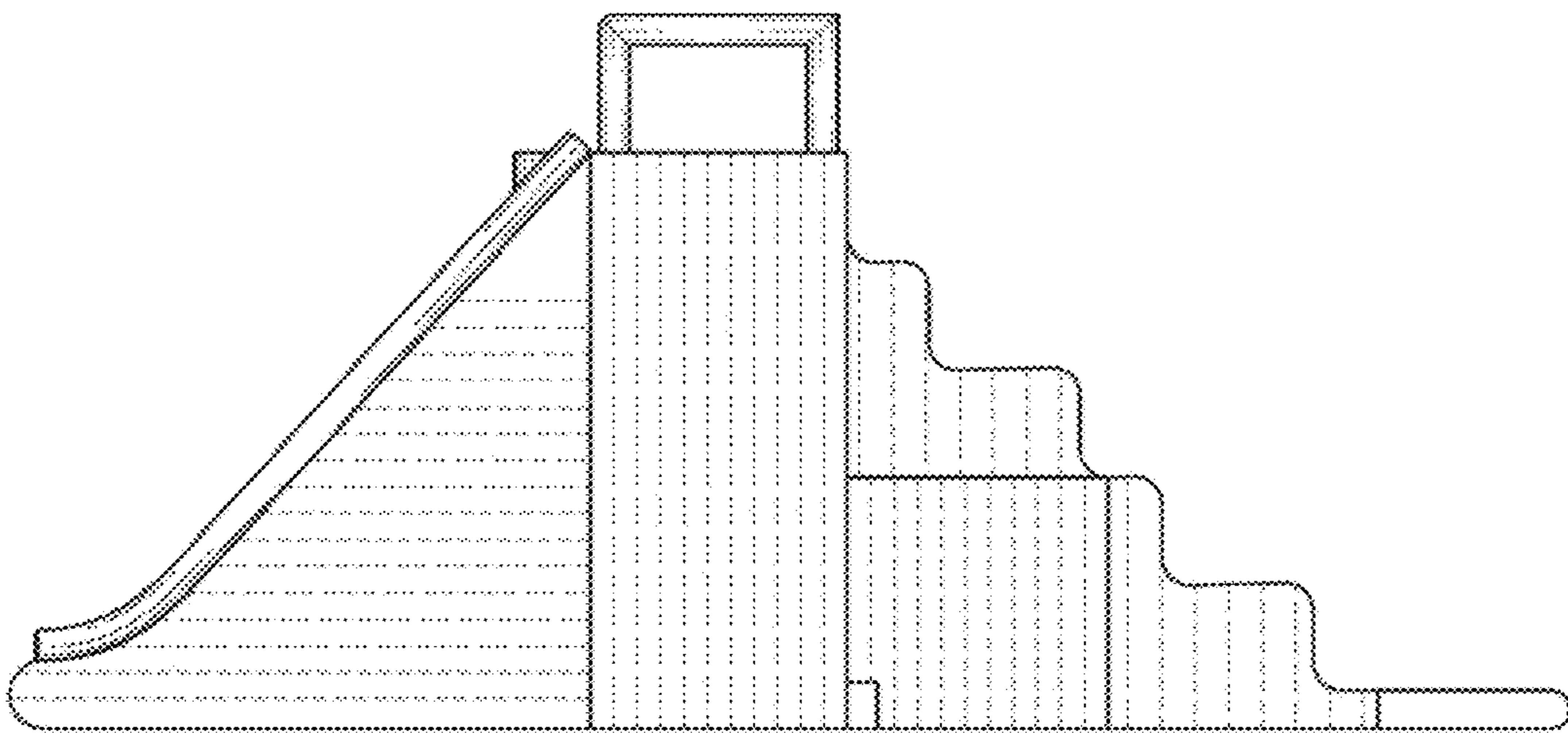


FIG. 13

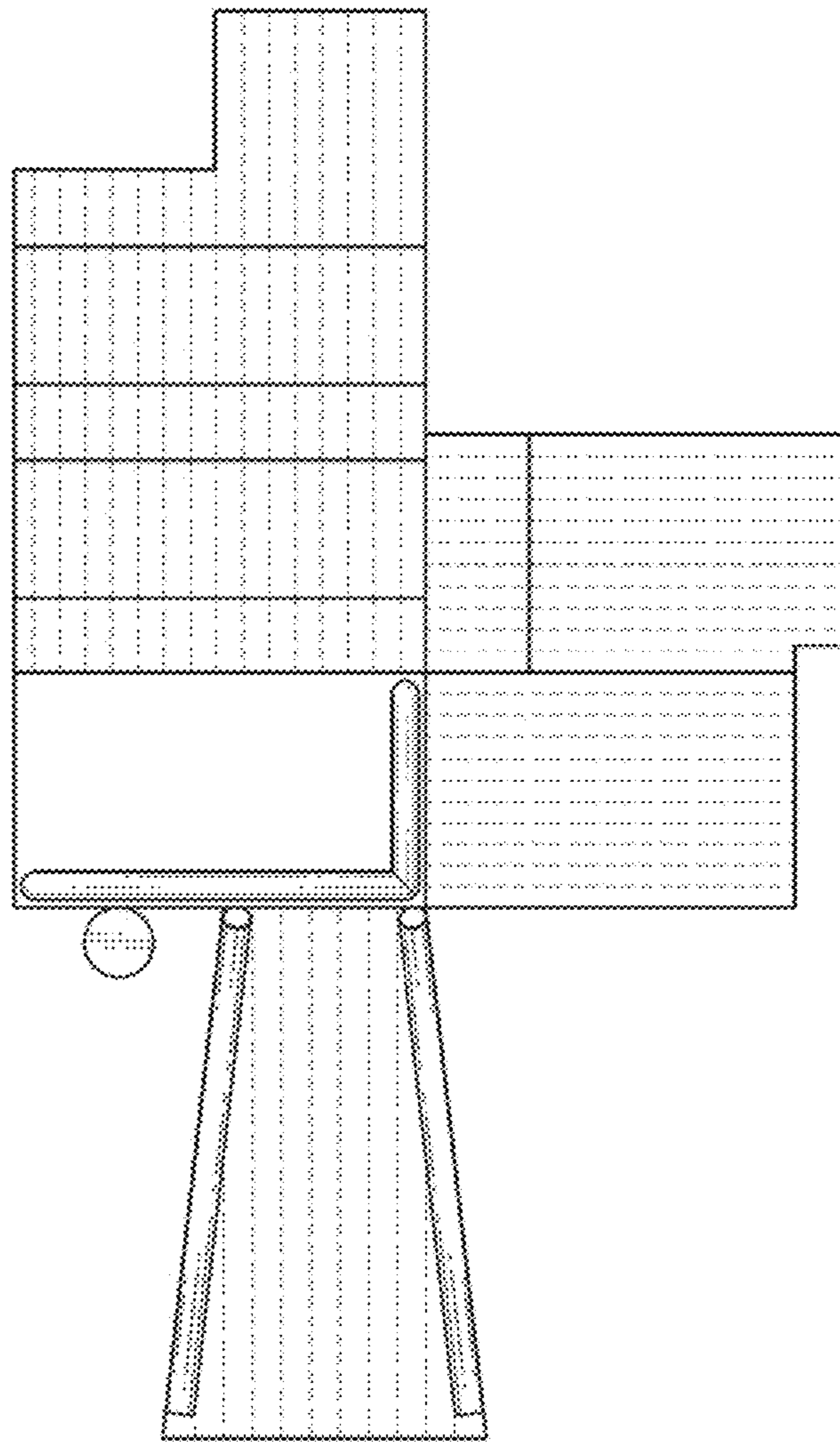


FIG. 14

