

US00D909522S

(12) **United States Design Patent**
Wittman

(10) **Patent No.:** **US D909,522 S**

(45) **Date of Patent:** **** Feb. 2, 2021**

(54) **HEAD FOR GOLF PUTTER**

(71) Applicant: **Brian Wittman**, Brookfield, CT (US)

(72) Inventor: **Brian Wittman**, Brookfield, CT (US)

(**) Term: **15 Years**

(21) Appl. No.: **29/699,647**

(22) Filed: **Jul. 26, 2019**

(51) **LOC (13) Cl.** **21-02**

(52) **U.S. Cl.**
USPC **D21/759**

(58) **Field of Classification Search**

USPC D21/736-746, 759

CPC A63B 53/00; A63B 53/04; A63B 53/007;
A63B 53/065; A63B 53/0487; A63B
60/00; A63B 60/46

See application file for complete search history.

(56) **References Cited**

U.S. PATENT DOCUMENTS

1,525,137 A * 2/1925 Lawton A63B 53/0487
473/330

D306,629 S * 3/1990 Shearer D21/743

D378,934 S * 4/1997 Clanton D21/743

D412,729 S * 8/1999 Woodward D21/743

D506,518 S * 6/2005 Jones D21/736

D692,974 S * 11/2013 Wittman D21/736

* cited by examiner

Primary Examiner — Mitchell I. Siegel

(74) *Attorney, Agent, or Firm* — Albert W Davis, Jr.

(57) **CLAIM**

The ornamental design for a head for golf putter, as shown and described.

DESCRIPTION

FIG. 1 is a perspective view of the head for golf putter showing my new design;

FIG. 2 is a top view thereof;

FIG. 3 is a bottom view thereof;

FIG. 4 is a back view thereof;

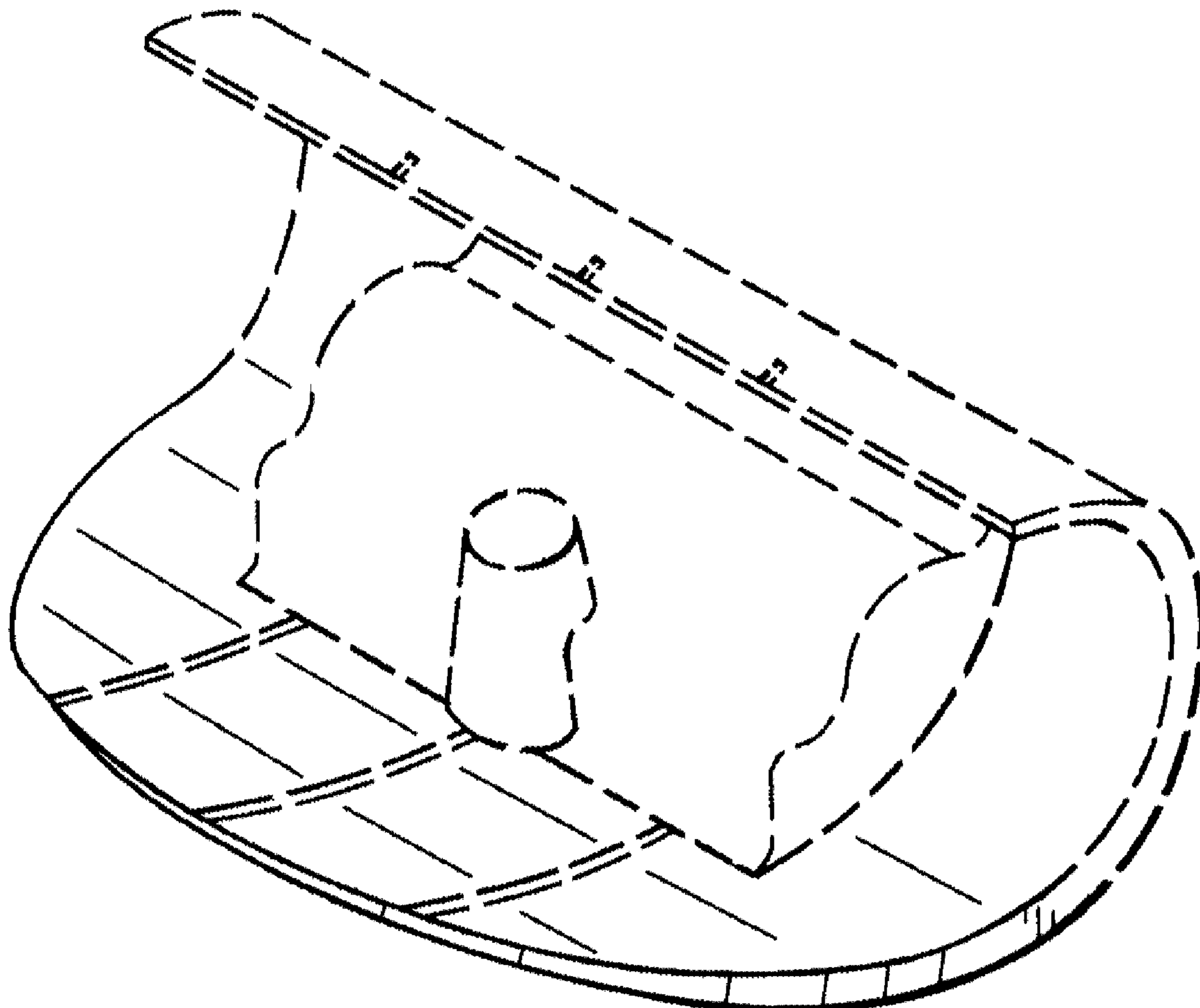
FIG. 5 is a front view thereof;

FIG. 6 is a right side view thereof; and,

FIG. 7 is a left side view thereof.

The broken lines representing portions of the head for golf putter form no part of the claimed design.

1 Claim, 3 Drawing Sheets



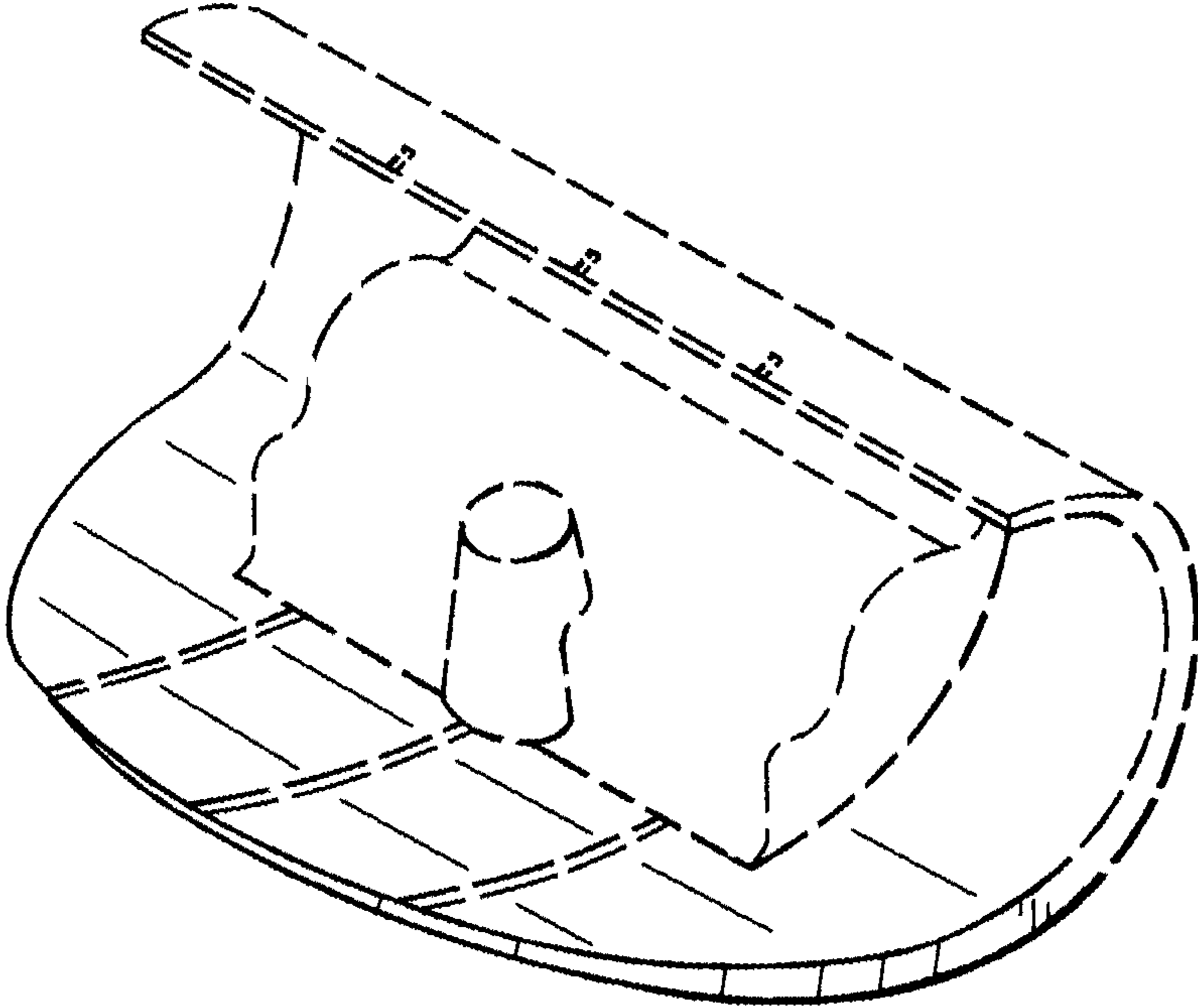


FIG.1

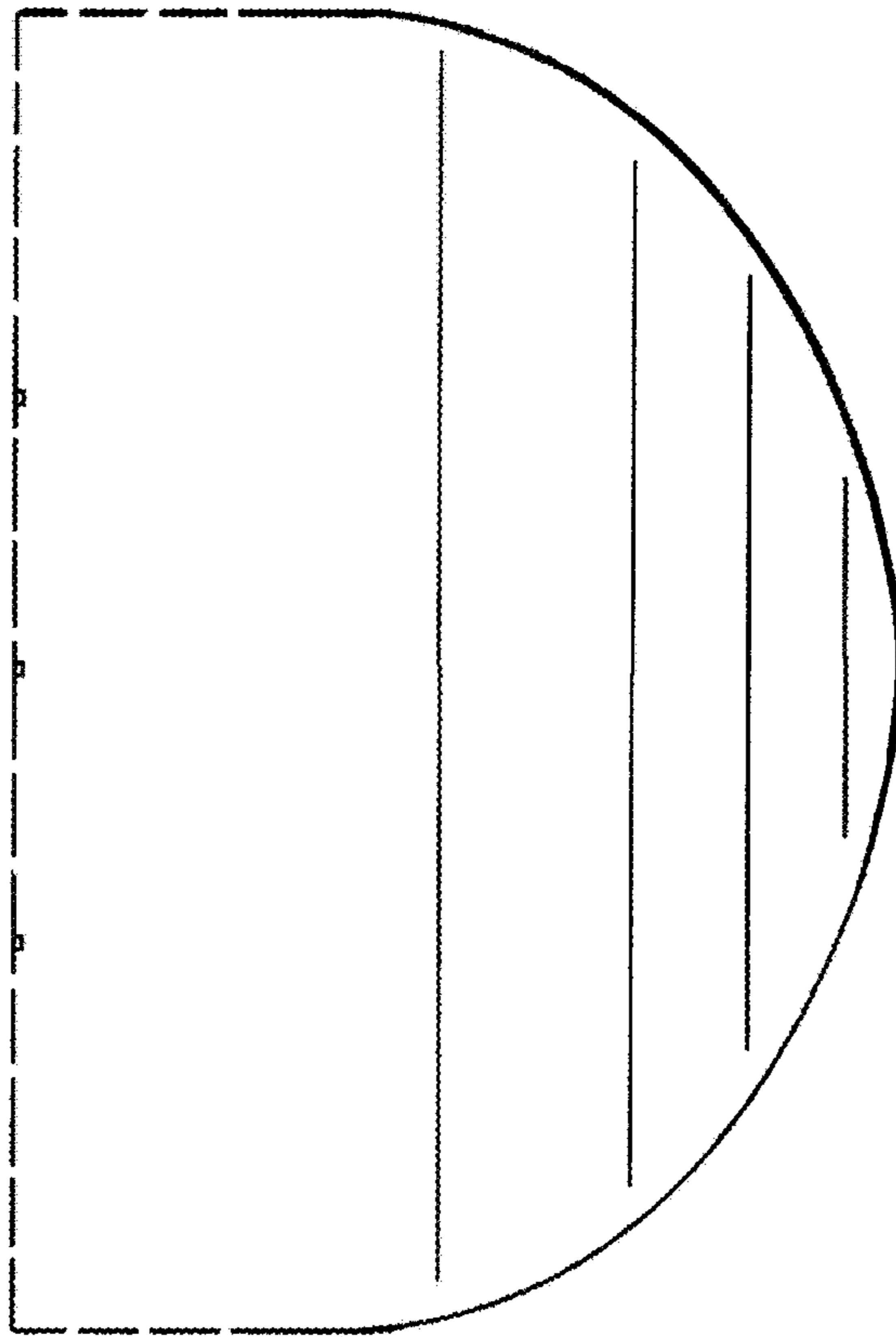


FIG.3

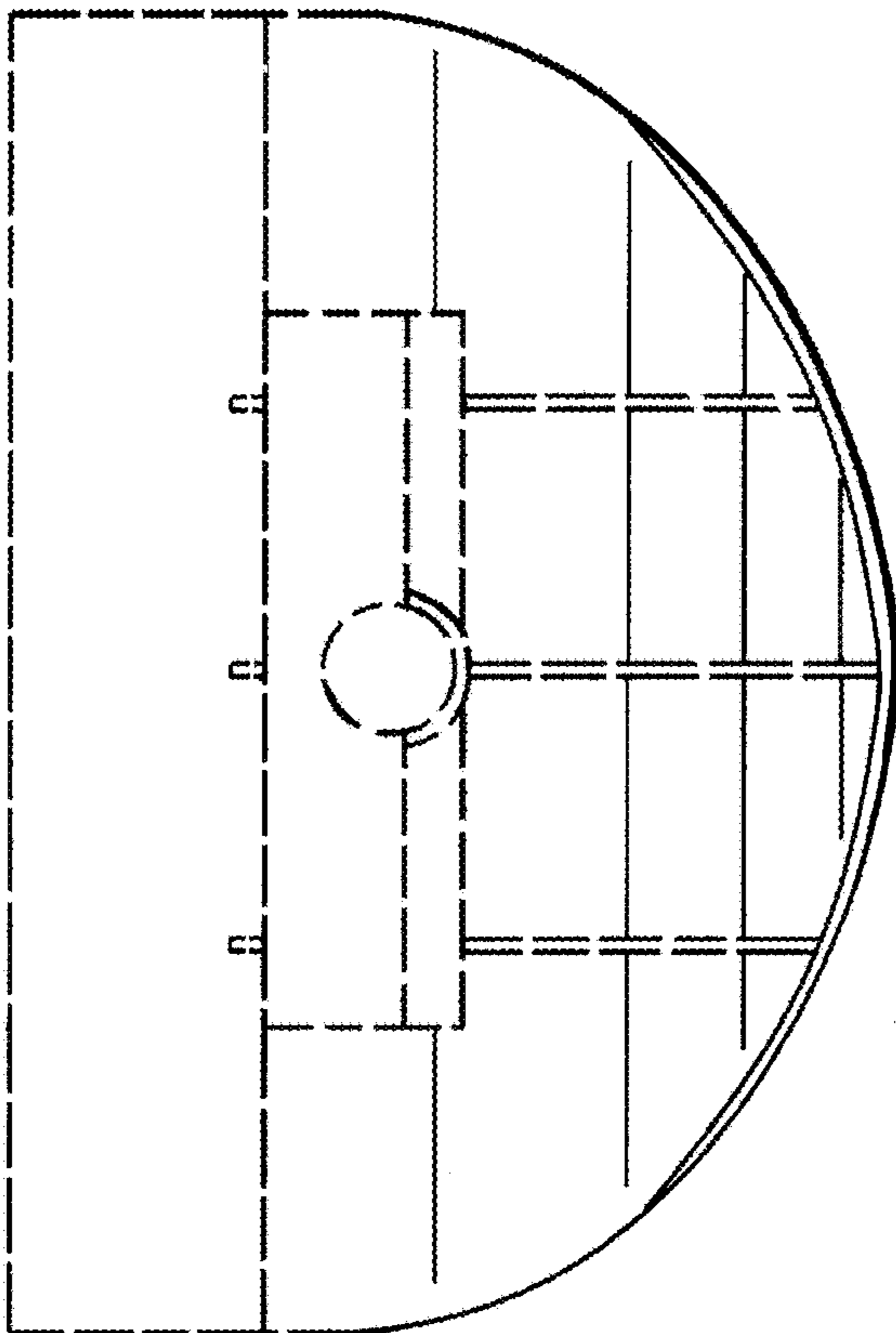


FIG.2

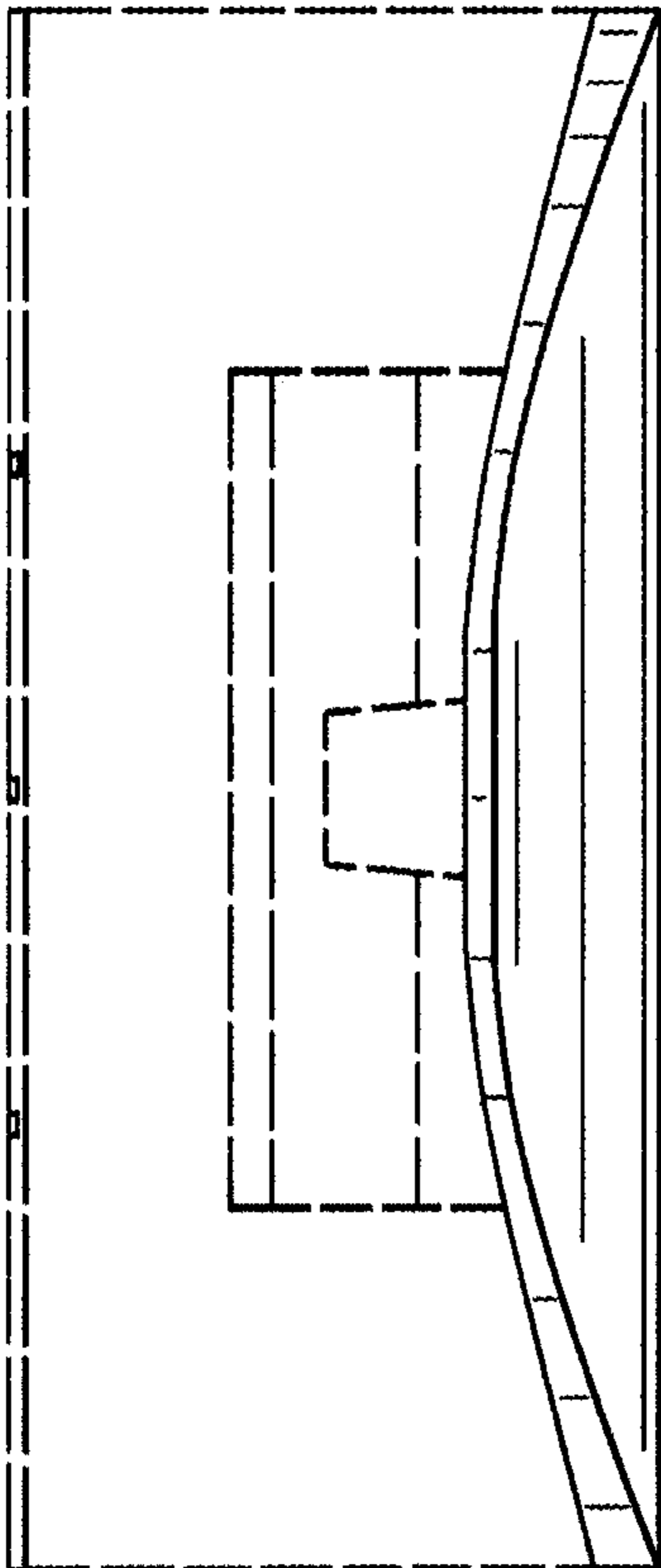


FIG. 4

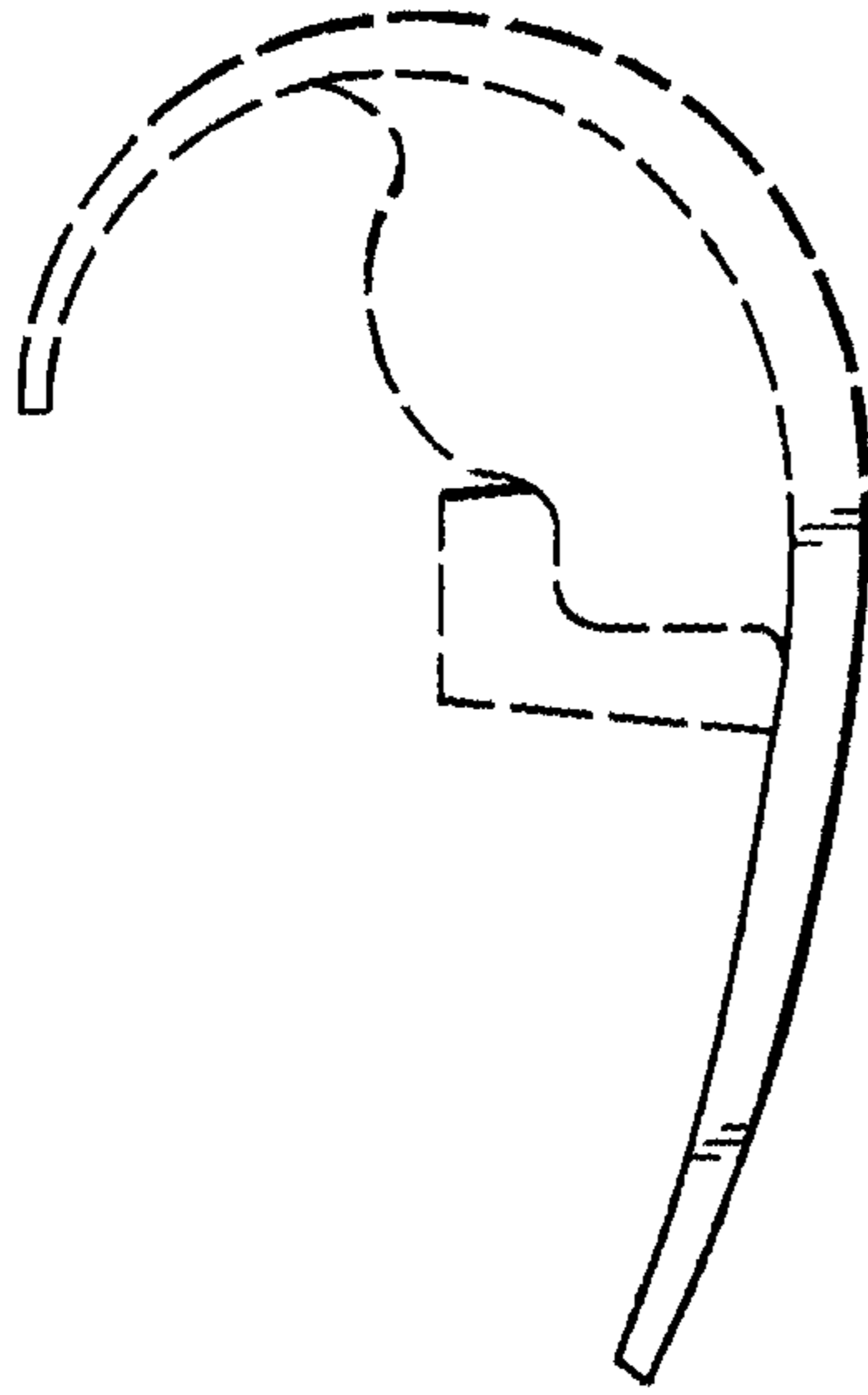


FIG. 6

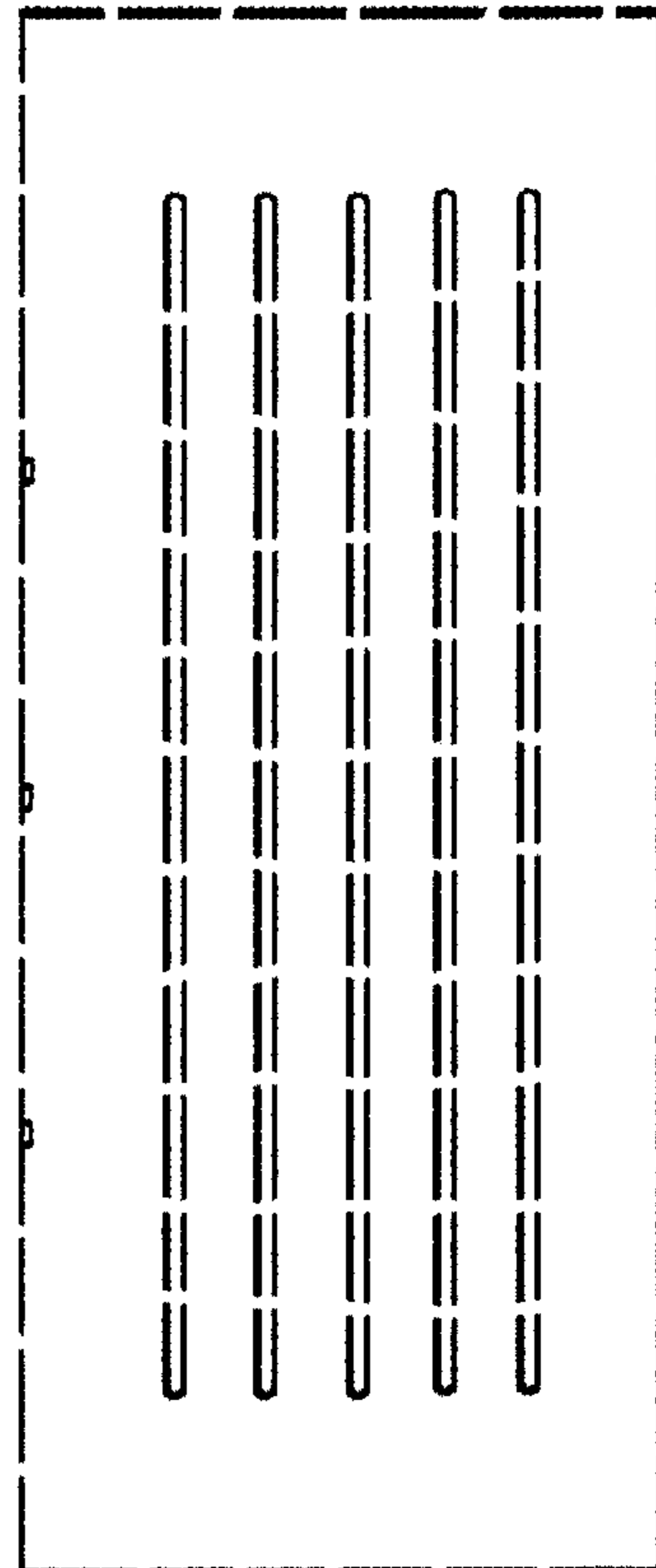


FIG. 5

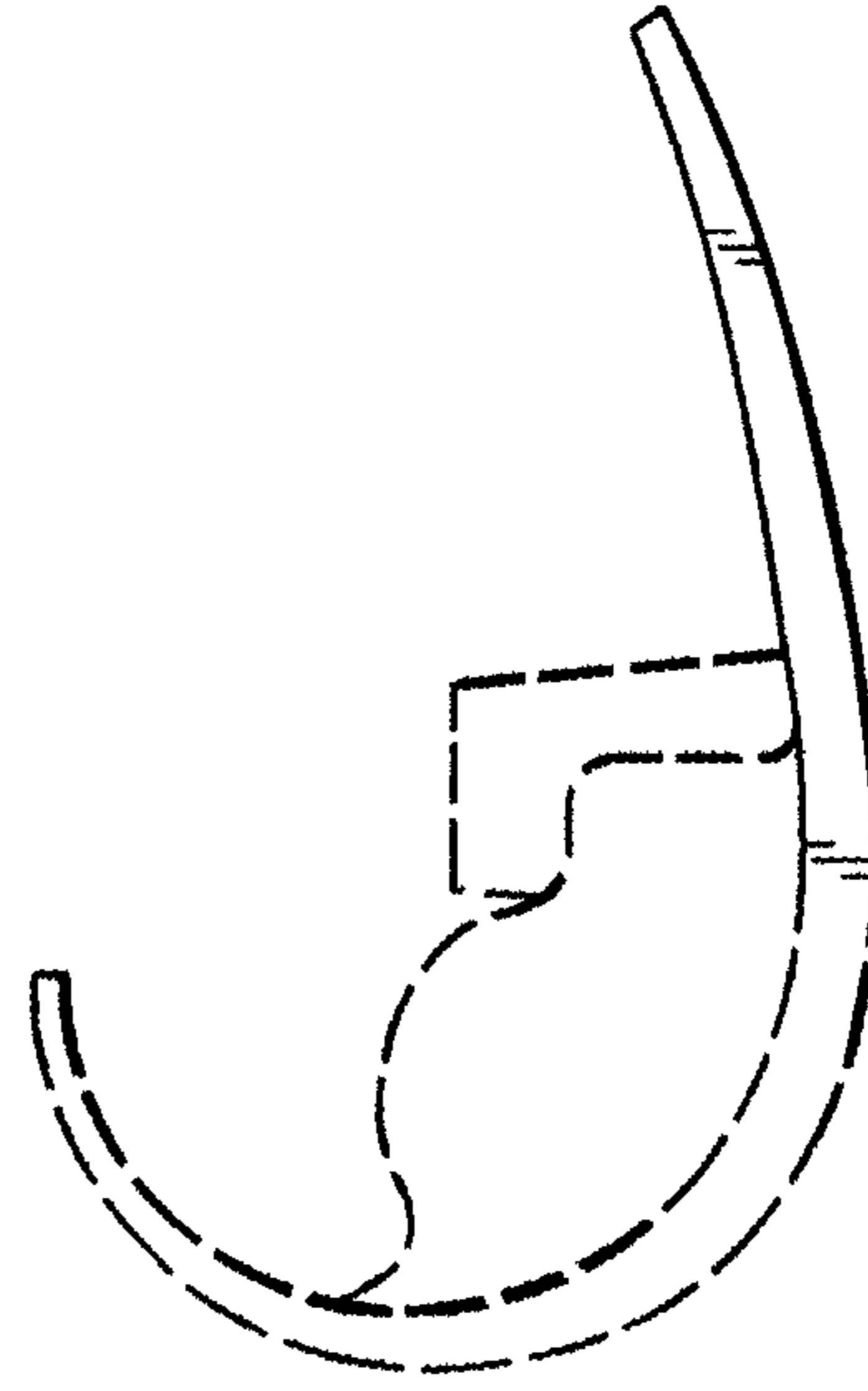


FIG. 7