



US00D909519S

(12) **United States Design Patent**
Tsuchihashi

(10) **Patent No.:** **US D909,519 S**

(45) **Date of Patent:** **** Feb. 2, 2021**

(54) **HEAD FOR GOLF CLUB**

(71) Applicant: **SUMITOMO RUBBER INDUSTRIES, LTD.**, Kobe (JP)

(72) Inventor: **Satoko Tsuchihashi**, Kobe (JP)

(73) Assignee: **SUMITOMO RUBBER INDUSTRIES, LTD.**, Kobe (JP)

(**) Term: **15 Years**

(21) Appl. No.: **29/698,752**

(22) Filed: **Jul. 19, 2019**

(30) **Foreign Application Priority Data**

Jan. 21, 2019 (JP) 2019-000990

(51) **LOC (13) Cl.** **21-02**

(52) **U.S. Cl.**
USPC **D21/759**

(58) **Field of Classification Search**
USPC D21/733, 752, 759
CPC A63B 53/00; A63B 53/04; A63B 53/0466;
A63B 2053/002; A63B 2053/0445; A63B
2053/0433; A63B 2053/0491; A63B
2053/0437; A63B 60/00; A63B 60/46
See application file for complete search history.

(56) **References Cited**

U.S. PATENT DOCUMENTS

D526,372 S * 8/2006 Kohno D21/759
D536,402 S * 2/2007 Kawami D21/759
D554,219 S * 10/2007 Vrska D21/759

D574,048 S * 7/2008 Kadoya D21/759
D589,103 S * 3/2009 Kohno D21/759
D622,338 S * 8/2010 Kohno D21/752
D661,751 S * 6/2012 Nicolette D21/752
8,932,149 B2 * 1/2015 Oldknow A63B 60/52
473/327
D733,820 S * 7/2015 Dolezel D21/752
D767,702 S * 9/2016 Asatsuma D21/759
D791,255 S * 7/2017 Jertson D21/752
D794,733 S * 8/2017 Milleman D21/752
D801,462 S * 10/2017 Wang D21/752
D812,703 S * 3/2018 Tang D21/752

* cited by examiner

Primary Examiner — Mitchell I. Siegel

(74) *Attorney, Agent, or Firm* — Birch, Stewart, Kolasch & Birch, LLP

(57) **CLAIM**

The ornamental design for a head for golf club, as shown and described.

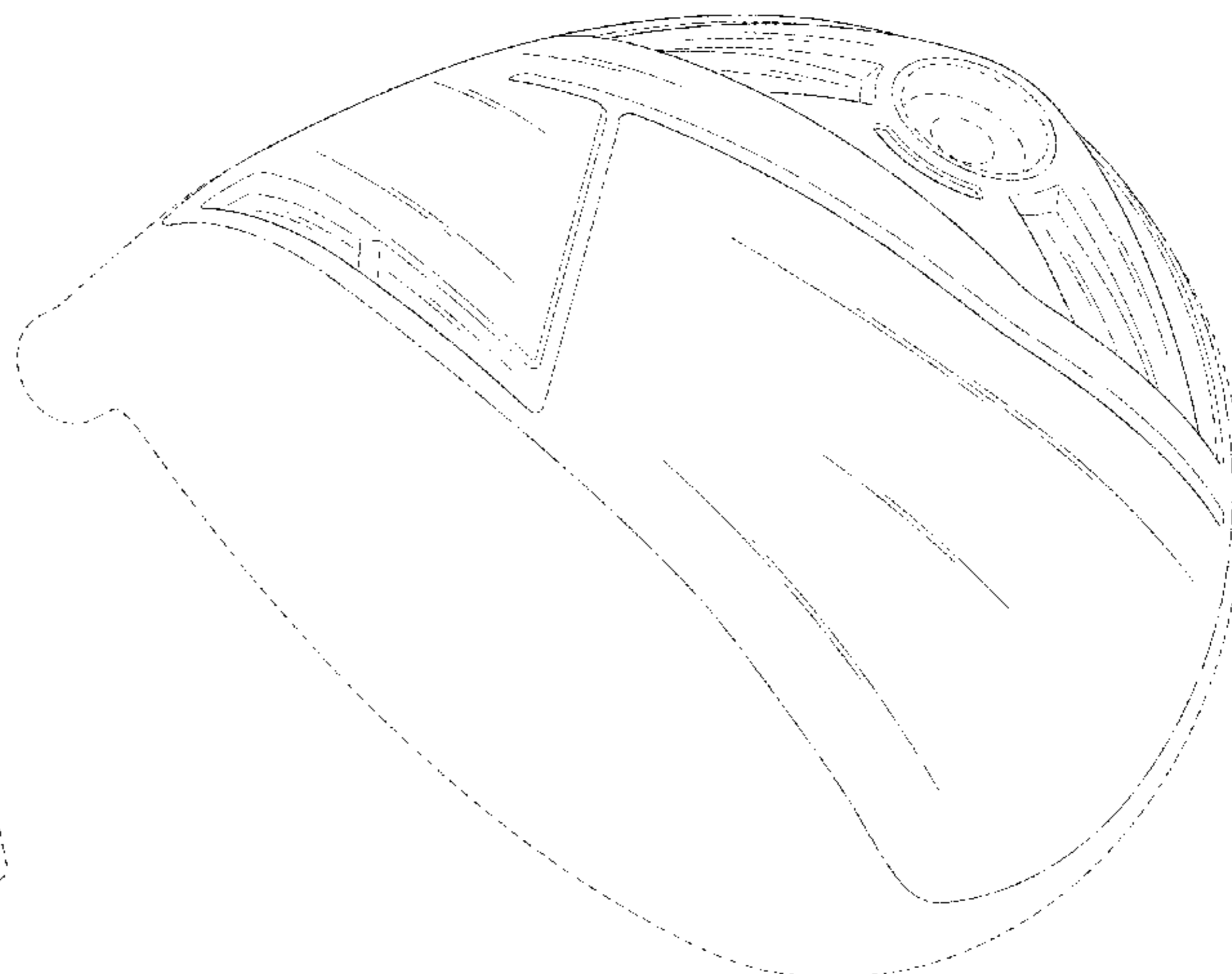
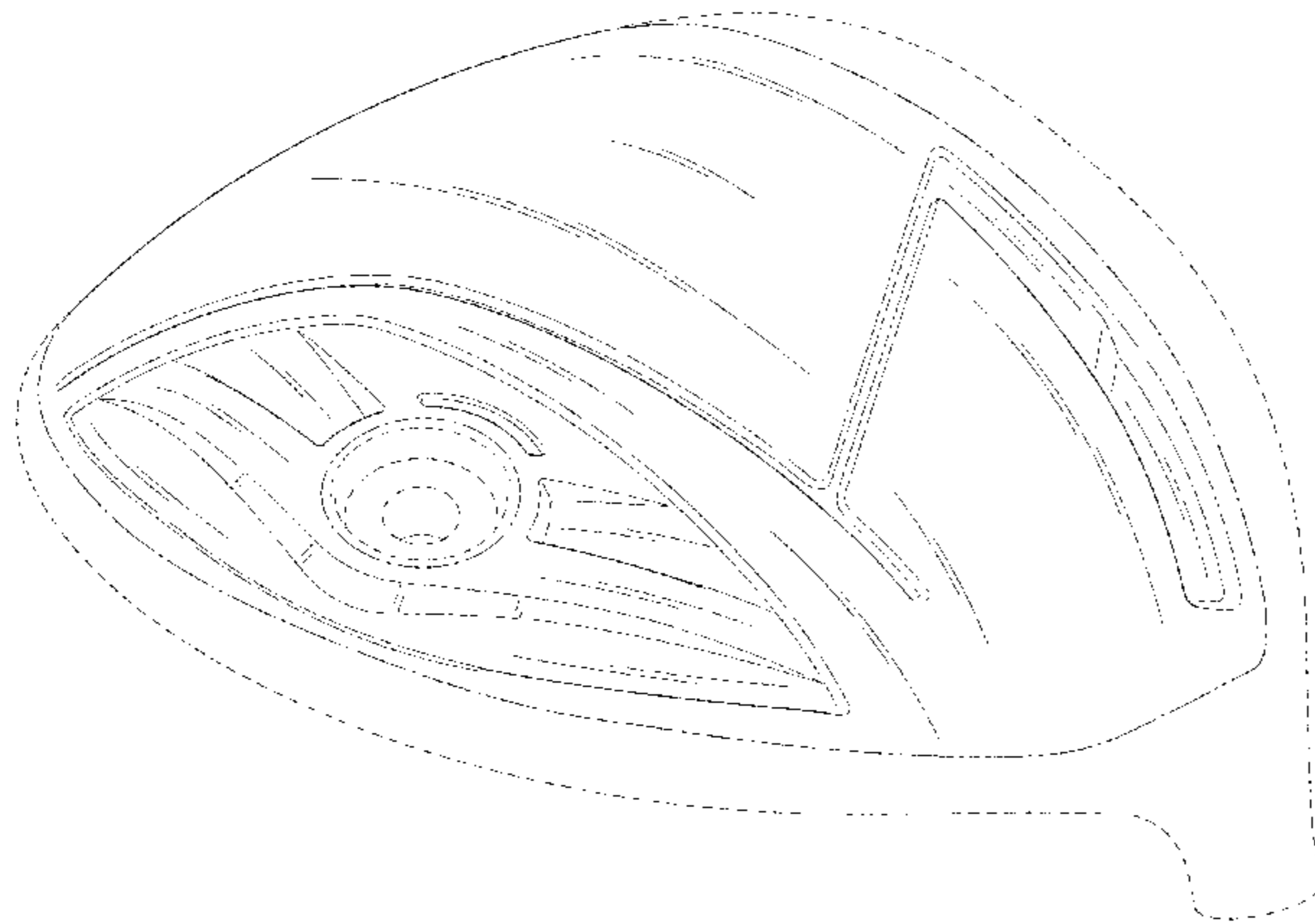
DESCRIPTION

FIG. 1 is a first perspective view of a head for golf club; FIG. 2 is a second perspective view thereof; FIG. 3 is a front view thereof; FIG. 4 is a rear view thereof; FIG. 5 is a left side view thereof; FIG. 6 is a right side view thereof; and, FIG. 7 is a bottom view thereof.

The broken lines depict portions of the head for golf club in which the design is embodied that are not considered part of the claimed design.

The dash-dot broken lines are included as boundary lines and form no part of the claimed design.

1 Claim, 7 Drawing Sheets



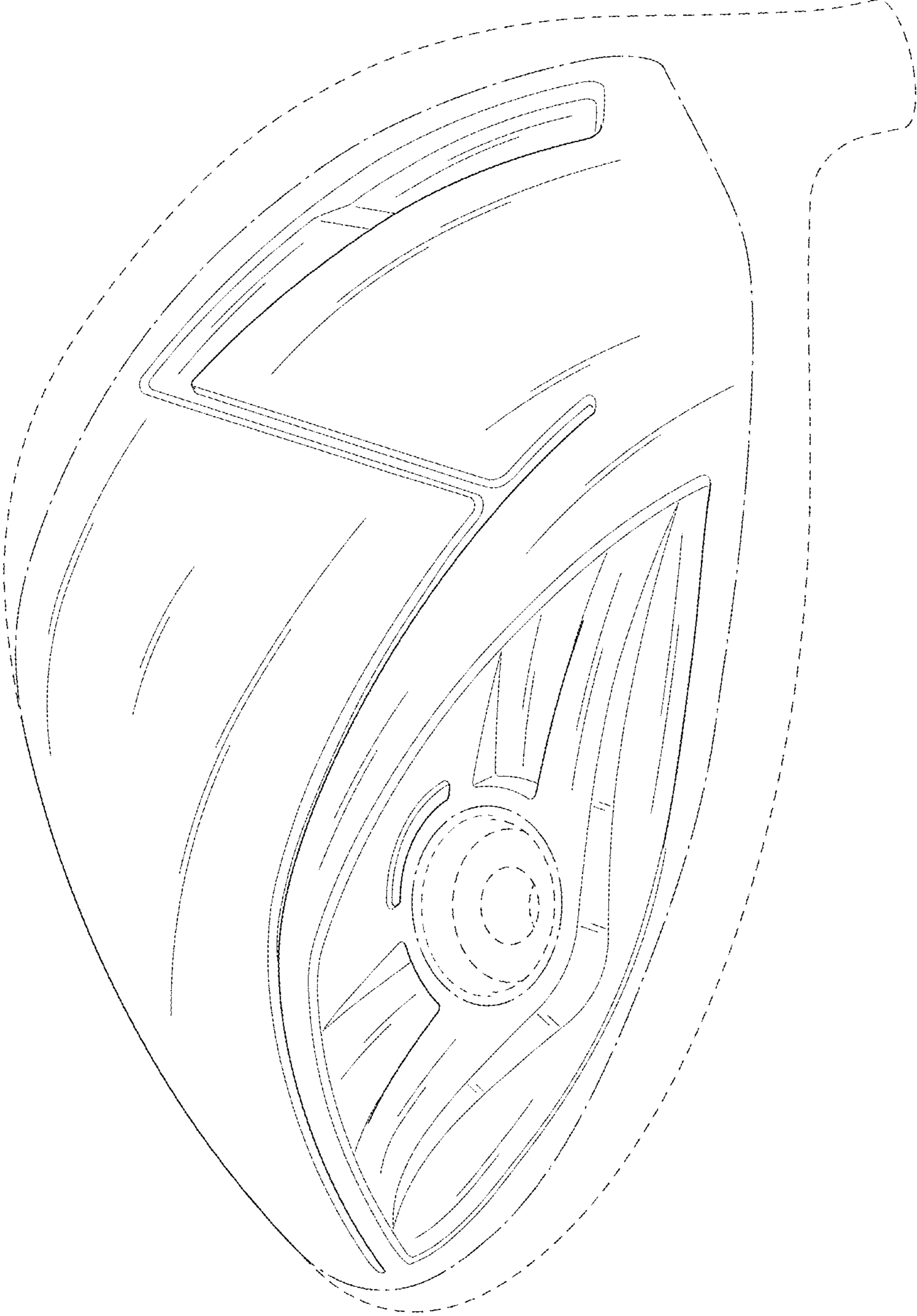


FIG.1

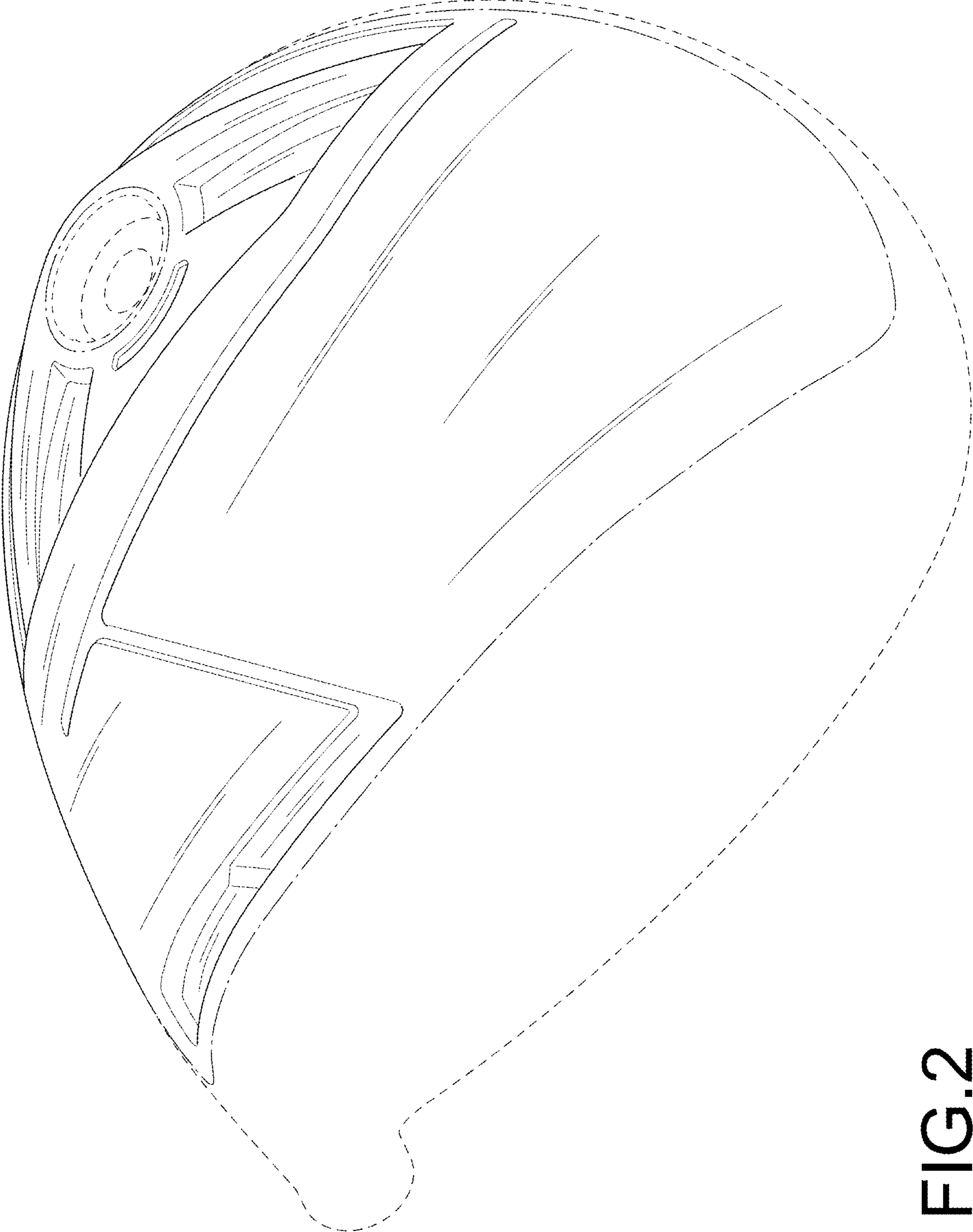


FIG. 2

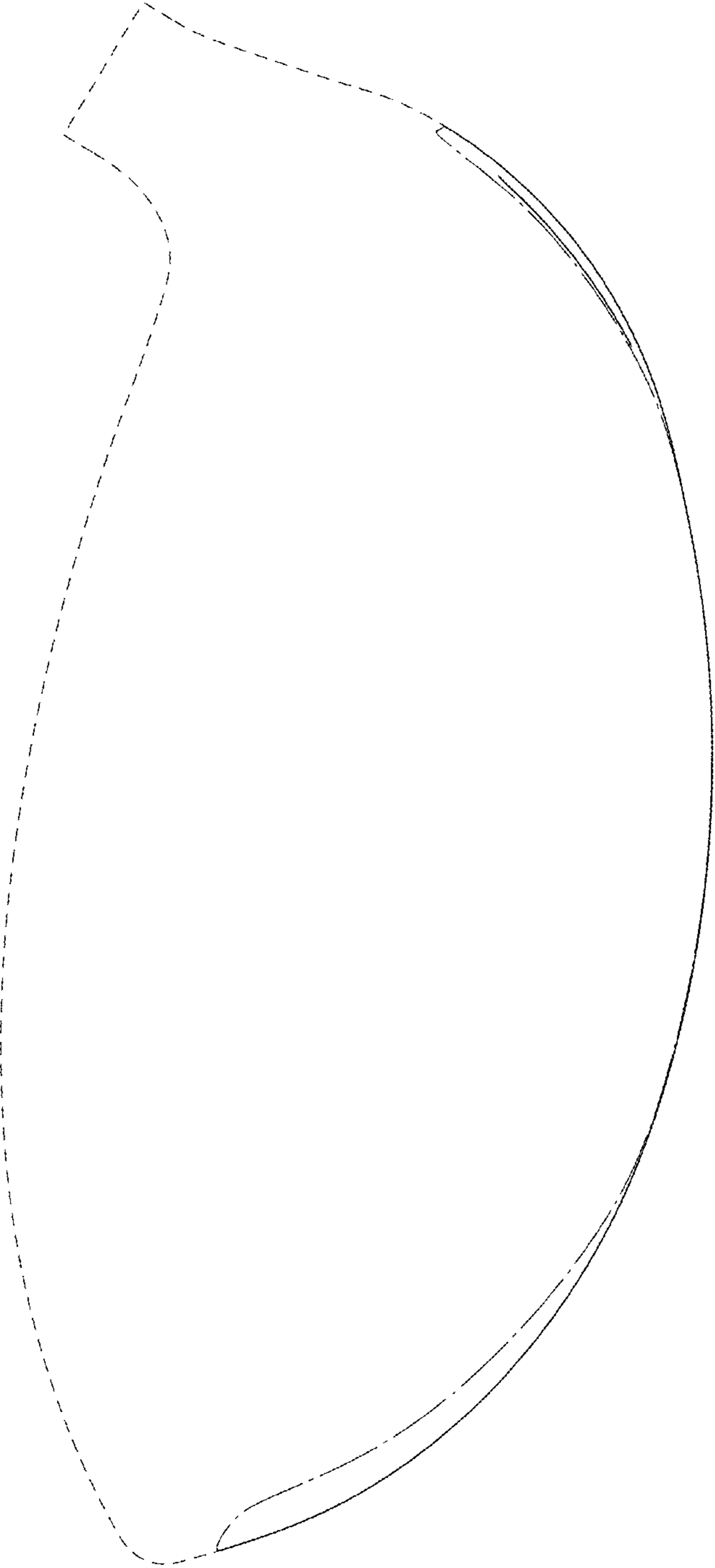


FIG.3

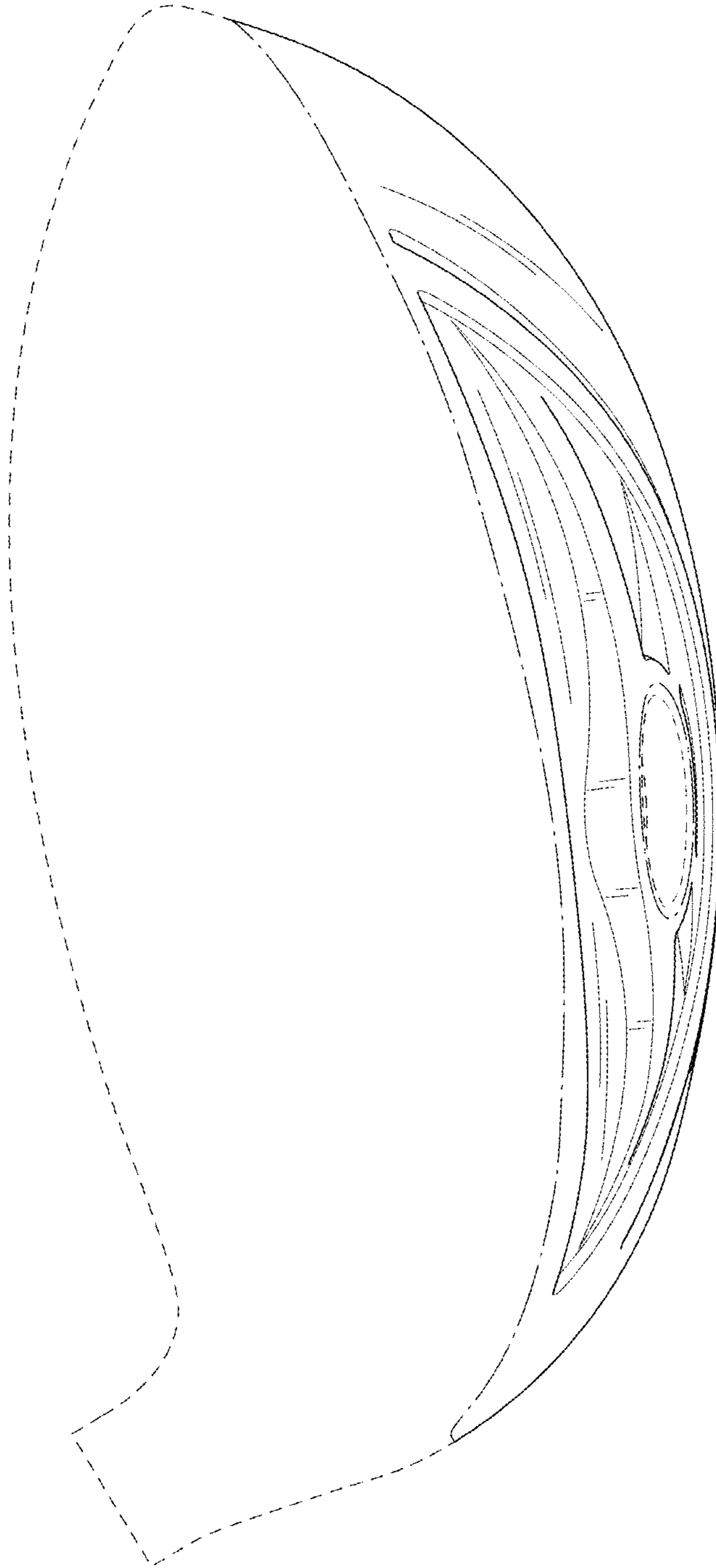


FIG.4

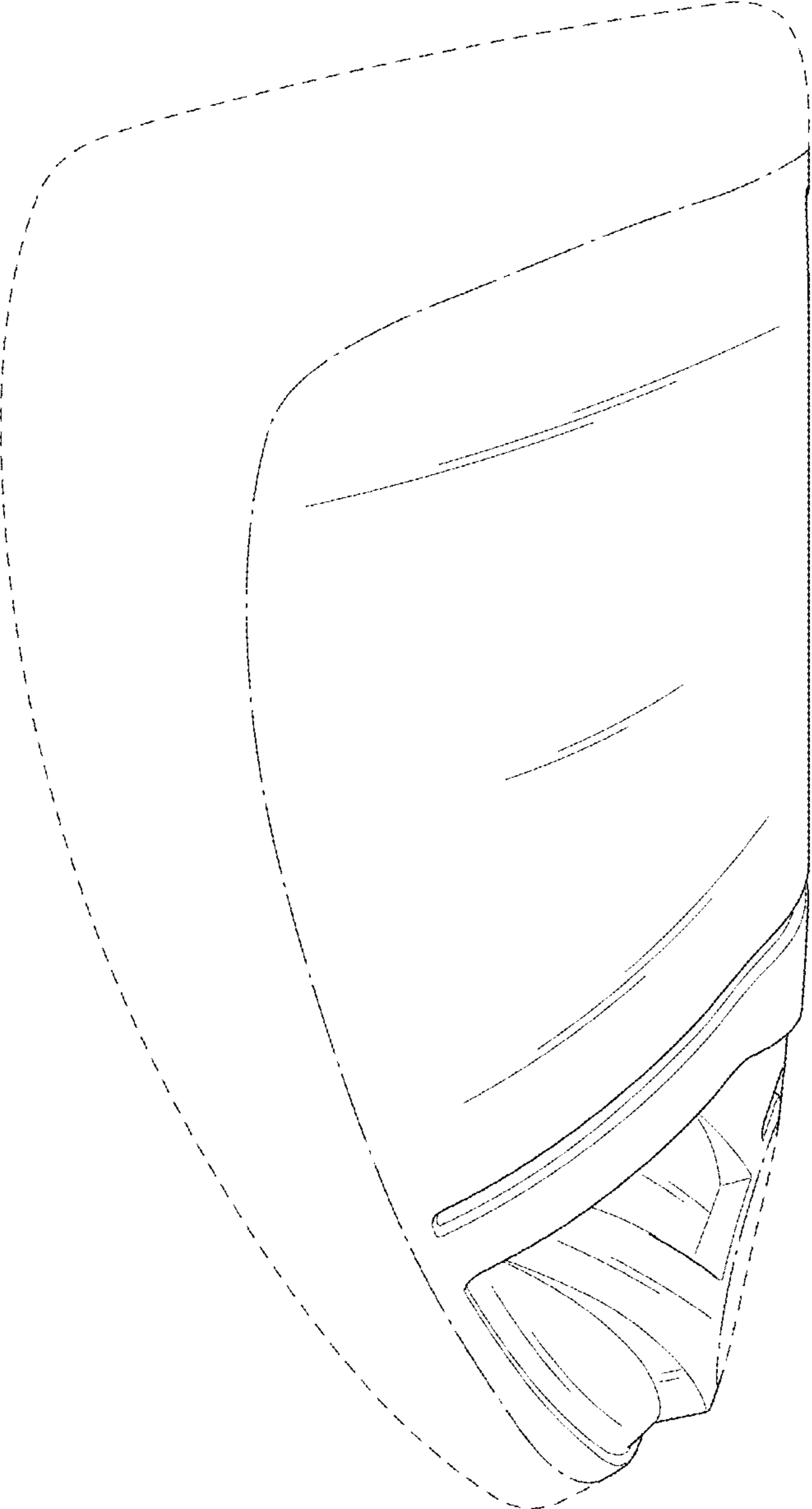


FIG.5

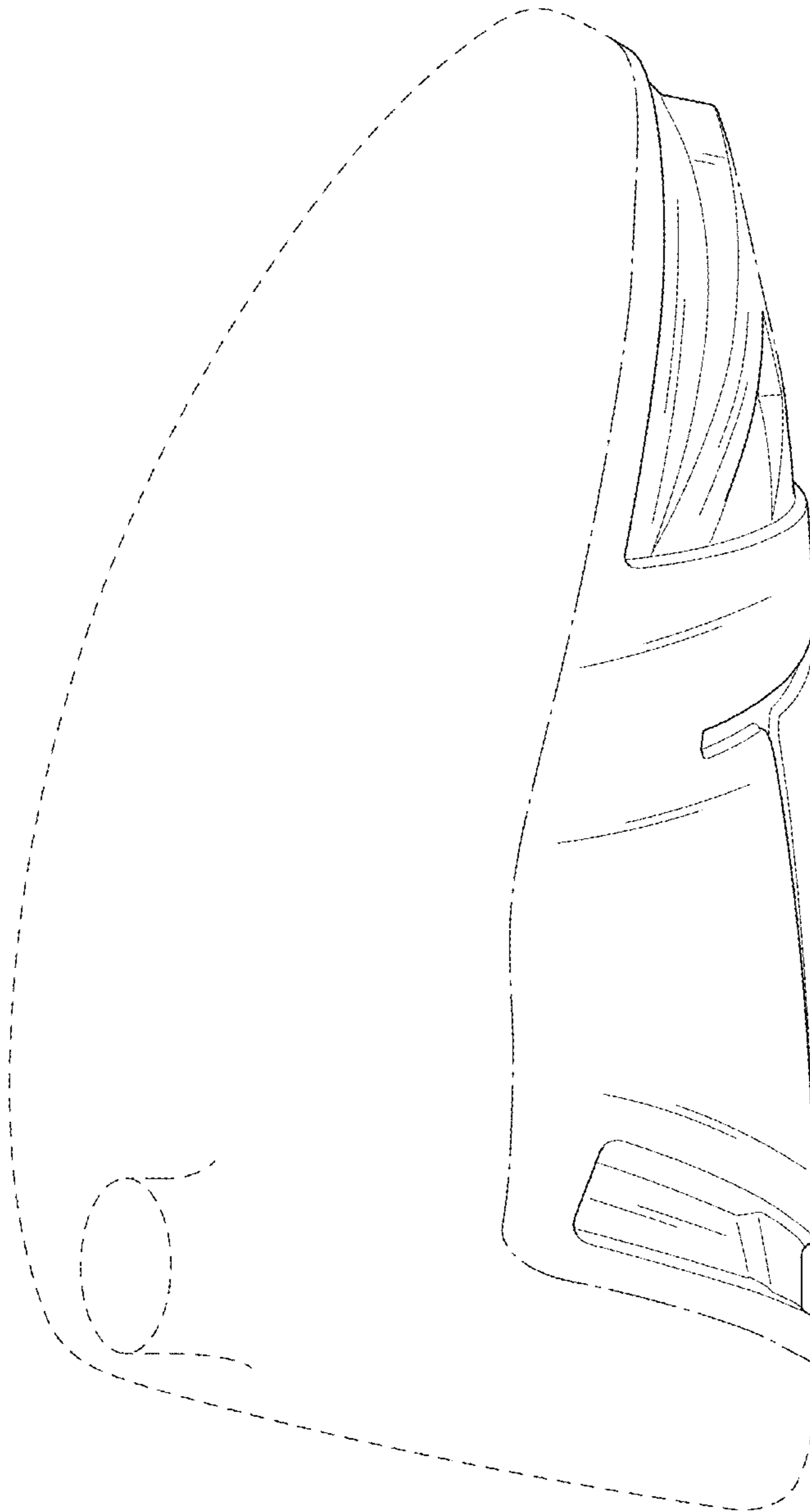


FIG.6

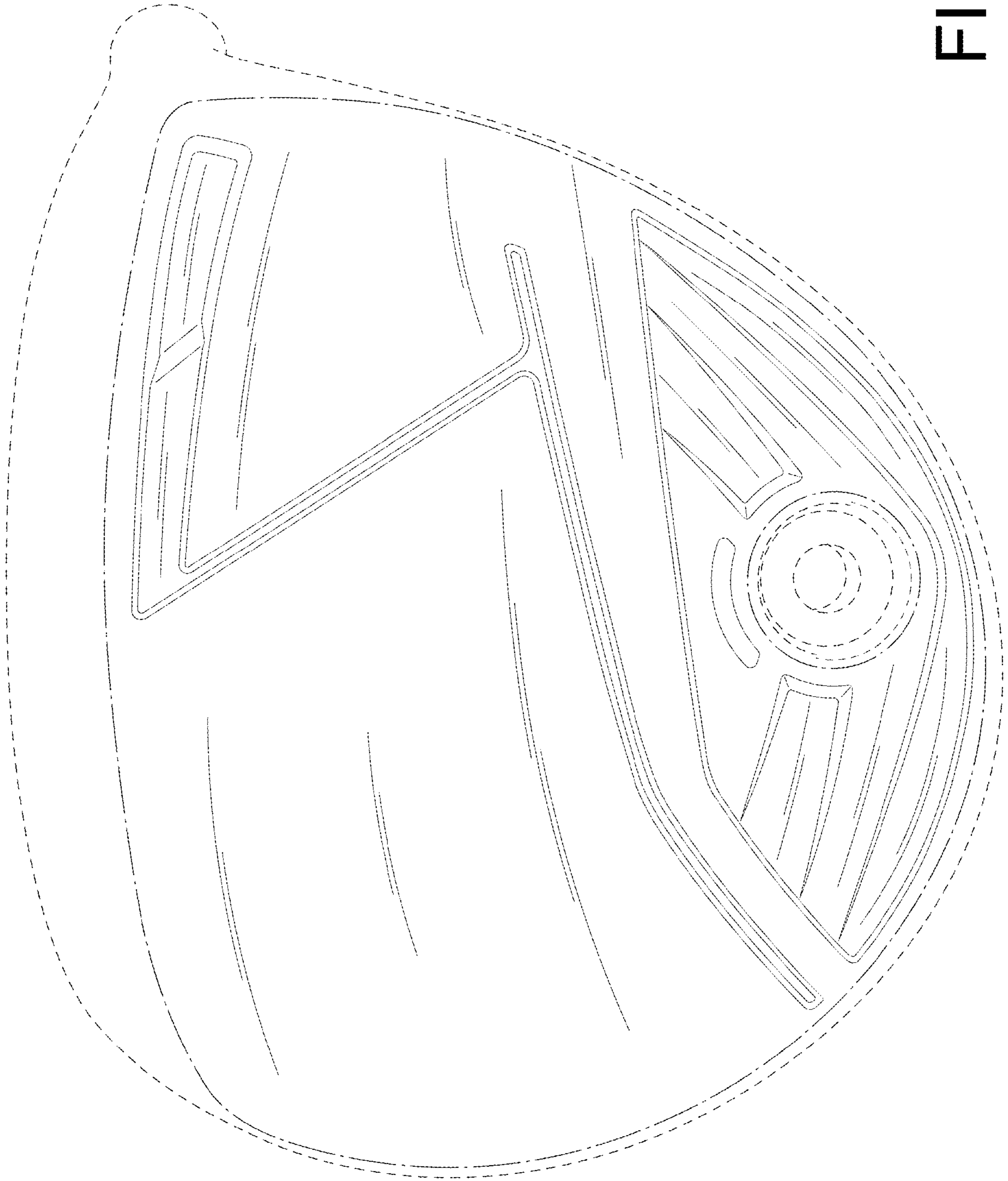


FIG. 7