



US00D909518S

(12) **United States Design Patent** (10) **Patent No.:** **US D909,518 S**
Rollinson et al. (45) **Date of Patent:** **** Feb. 2, 2021**

(54) PUTTER HEAD	5,533,728 A * 7/1996 Pehoski A63B 60/52 473/252
(71) Applicant: Callaway Golf Company , Carlsbad, CA (US)	D378,688 S * 4/1997 Cameron D21/745 D379,645 S * 6/1997 Cameron D21/745 5,676,603 A * 10/1997 Miller A63B 69/3614 473/220
(72) Inventors: Augustin W. Rollinson , Solana Beach, CA (US); Wee Joung Kim , Vista, CA (US); Oliver G. Brewer , San Diego, CA (US)	D393,674 S * 4/1998 Rhee D21/745 D405,137 S * 2/1999 Nelson D21/738 D425,157 S * 5/2000 Reed D21/744 D426,601 S * 6/2000 Reed D21/744 D444,194 S * 6/2001 Calabro D21/738 D508,276 S * 8/2005 Madore D21/759 D532,847 S * 11/2006 Rollinson D21/736 D569,462 S * 5/2008 Rollinson D21/744 D594,073 S * 6/2009 Kadoya D21/744 D643,485 S * 8/2011 Nicolette D21/736 D667,068 S * 9/2012 Loudenslager D21/759 D797,222 S * 9/2017 Serrano D21/744 D858,666 S * 9/2019 Serrano D21/746
(73) Assignee: Callaway Golf Company , Carlsbad, CA (US)	
(**) Term: 15 Years	
(21) Appl. No.: 29/698,674	

(22) Filed: **Jul. 18, 2019**

(51) **LOC (13) Cl.** **21-02**

(52) **U.S. Cl.**
USPC **D21/759**

(58) **Field of Classification Search**
USPC D21/736-746, 759
CPC A63B 53/00; A63B 53/04; A63B 53/007;
A63B 53/065; A63B 53/0487; A63B
60/00; A63B 60/46
See application file for complete search history.

(56) **References Cited**

U.S. PATENT DOCUMENTS

D204,466 S * 4/1966 Sowers D21/745
D209,149 S * 11/1967 Sowers D21/746
D228,930 S * 10/1973 Stoecher D21/742
D231,624 S * 5/1974 Willmoth D21/741
D240,751 S * 7/1976 Taylor D21/734
D243,968 S * 4/1977 Whittaker D21/746
D248,181 S * 6/1978 Cervantes 473/253
D256,262 S * 8/1980 Benson 473/253
5,324,031 A * 6/1994 Green A63B 53/0487 473/252

* cited by examiner

Primary Examiner — Mitchell I. Siegel
(74) *Attorney, Agent, or Firm* — Rebecca Hanovice;
Michael Catania; Sonia Lari

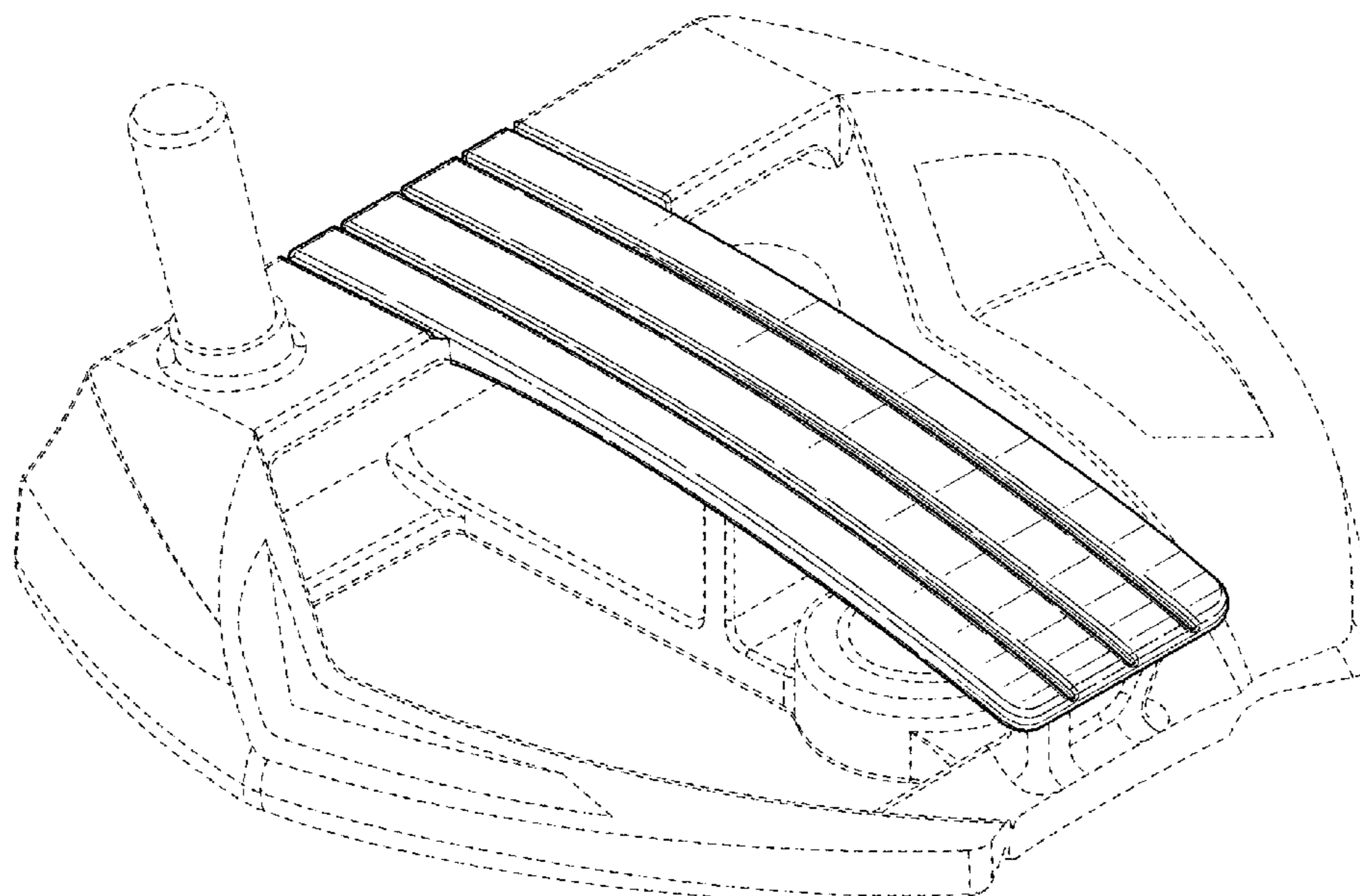
(57) **CLAIM**

The ornamental design for a putter head, as shown and described.

DESCRIPTION

FIG. 1 is a top perspective view of the putter head claimed herein;
FIG. 2 is a rear elevational view thereof;
FIG. 3 is a front elevational view thereof;
FIG. 4 is a right side elevational view thereof;
FIG. 5 is a left side elevational view thereof;
FIG. 6 is a top plan view thereof; and,
FIG. 7 is a bottom plan view thereof.
The broken lines shown form no part of the claimed design.

1 Claim, 5 Drawing Sheets



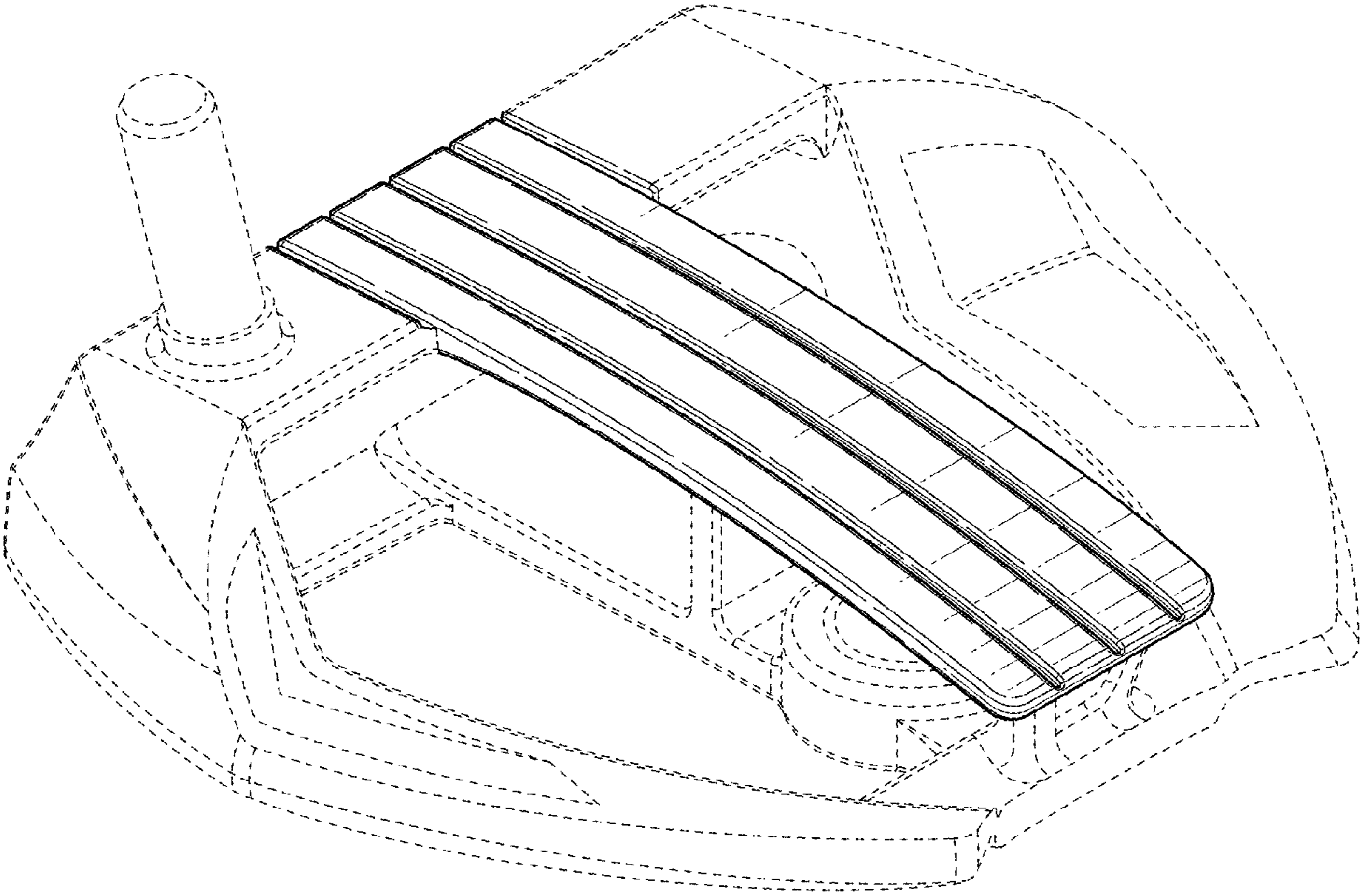


FIG. 1

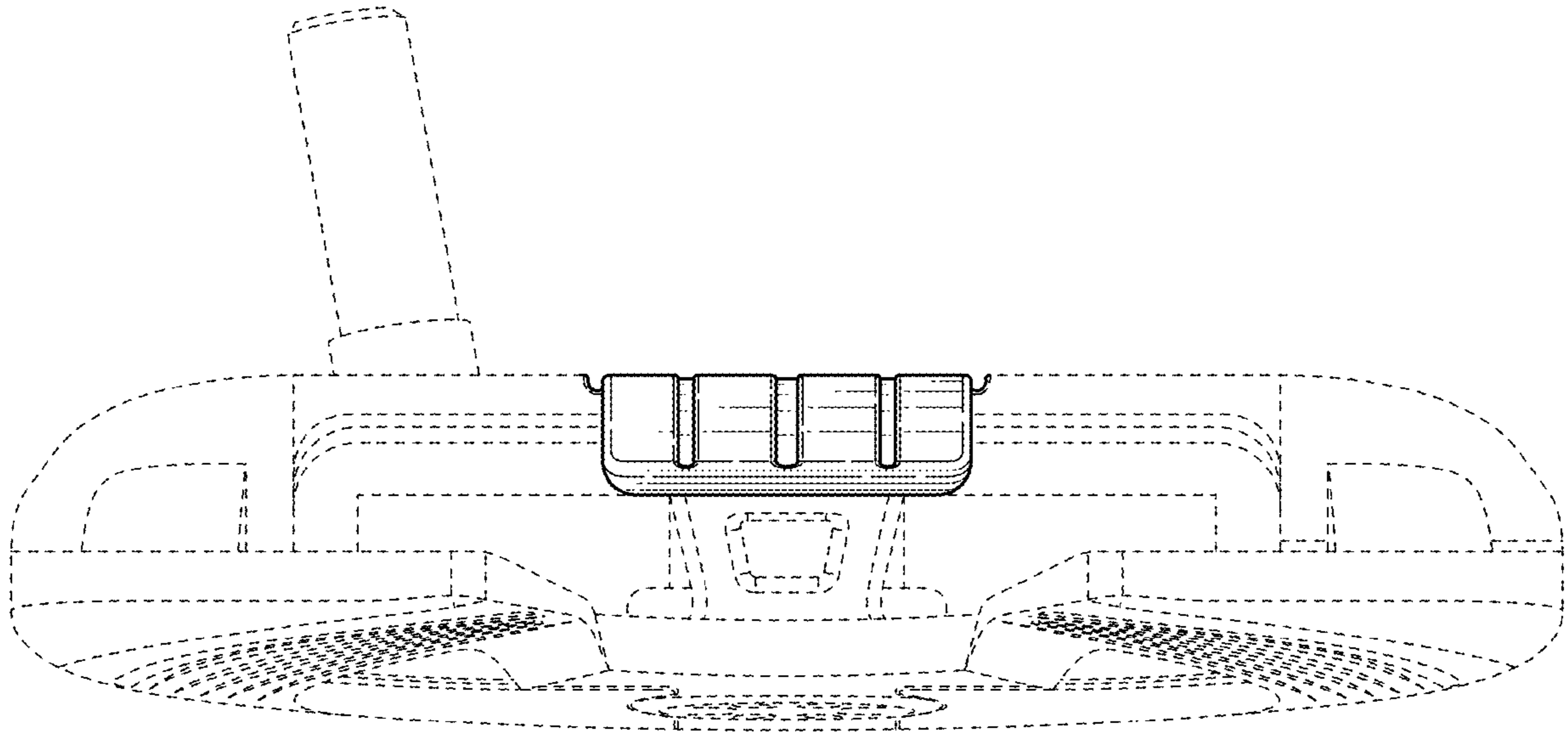


FIG. 2

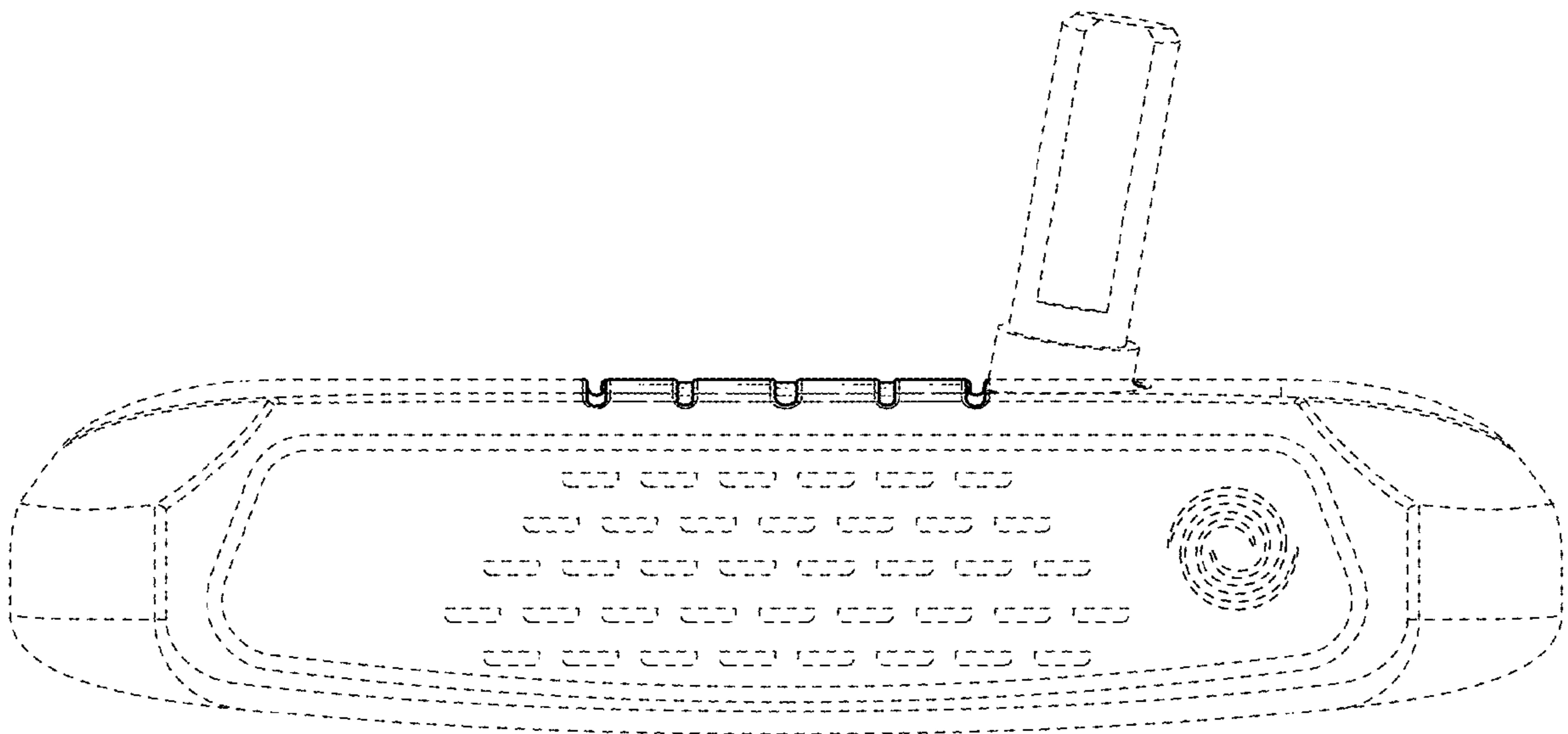


FIG. 3

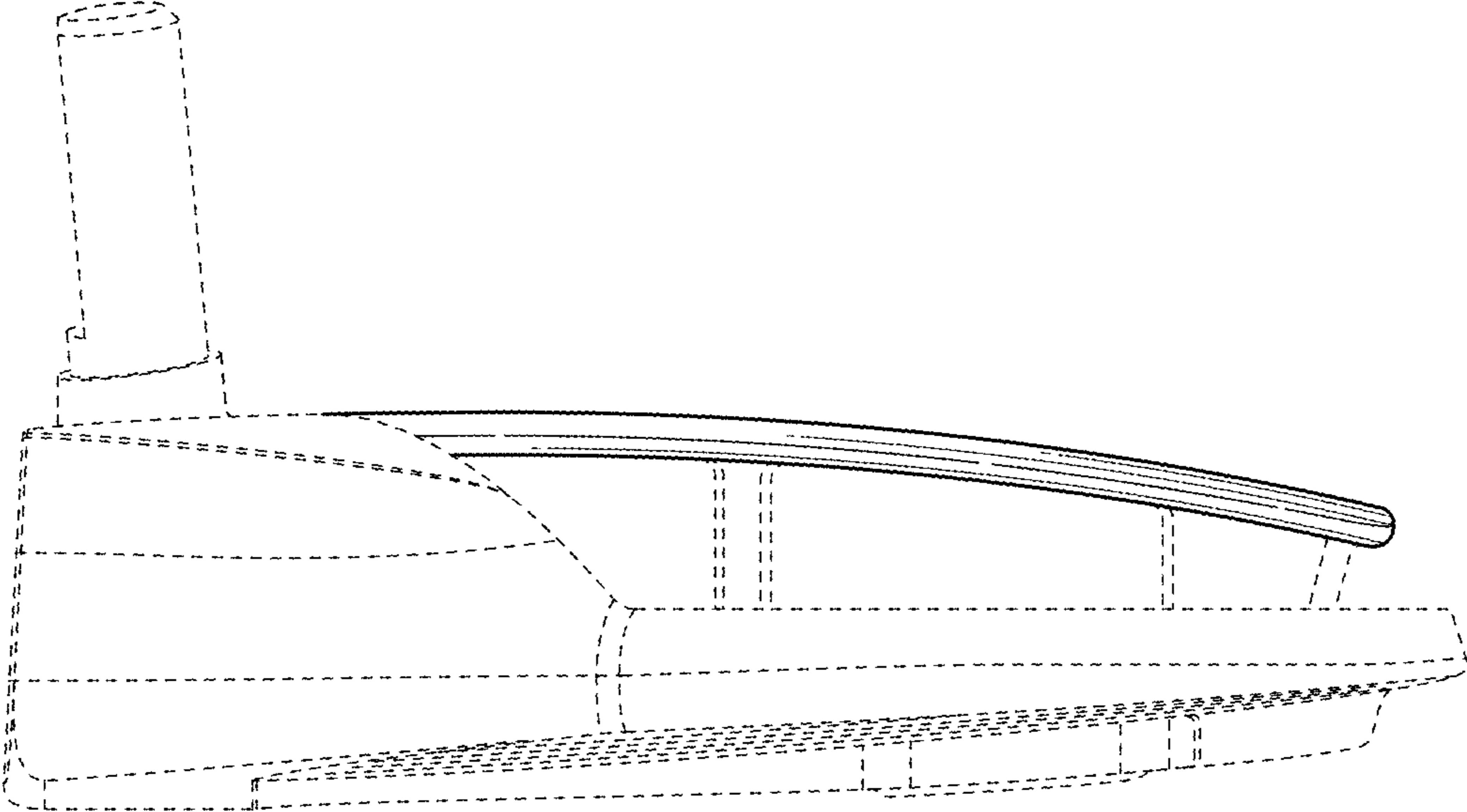


FIG. 4

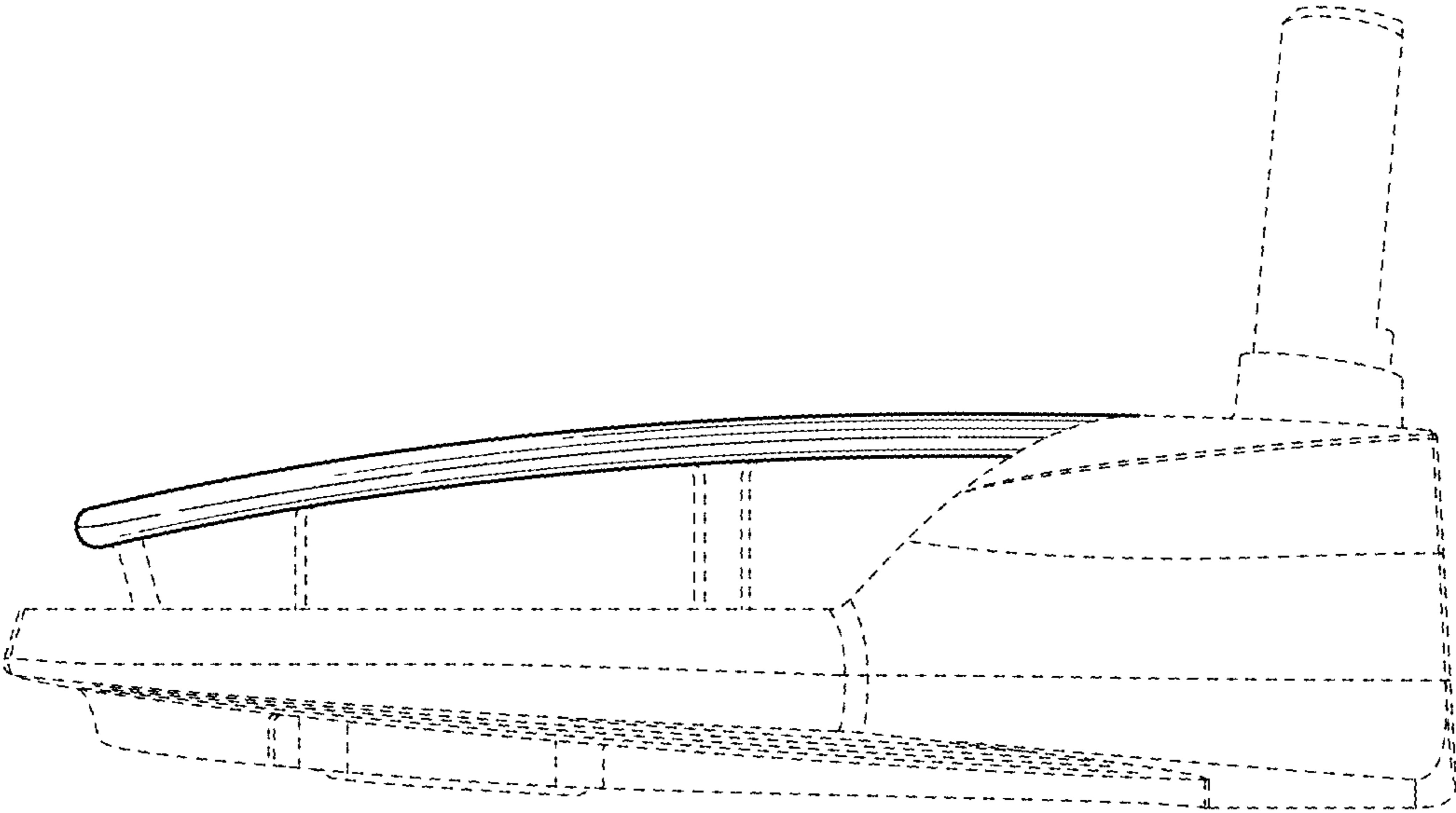


FIG. 5

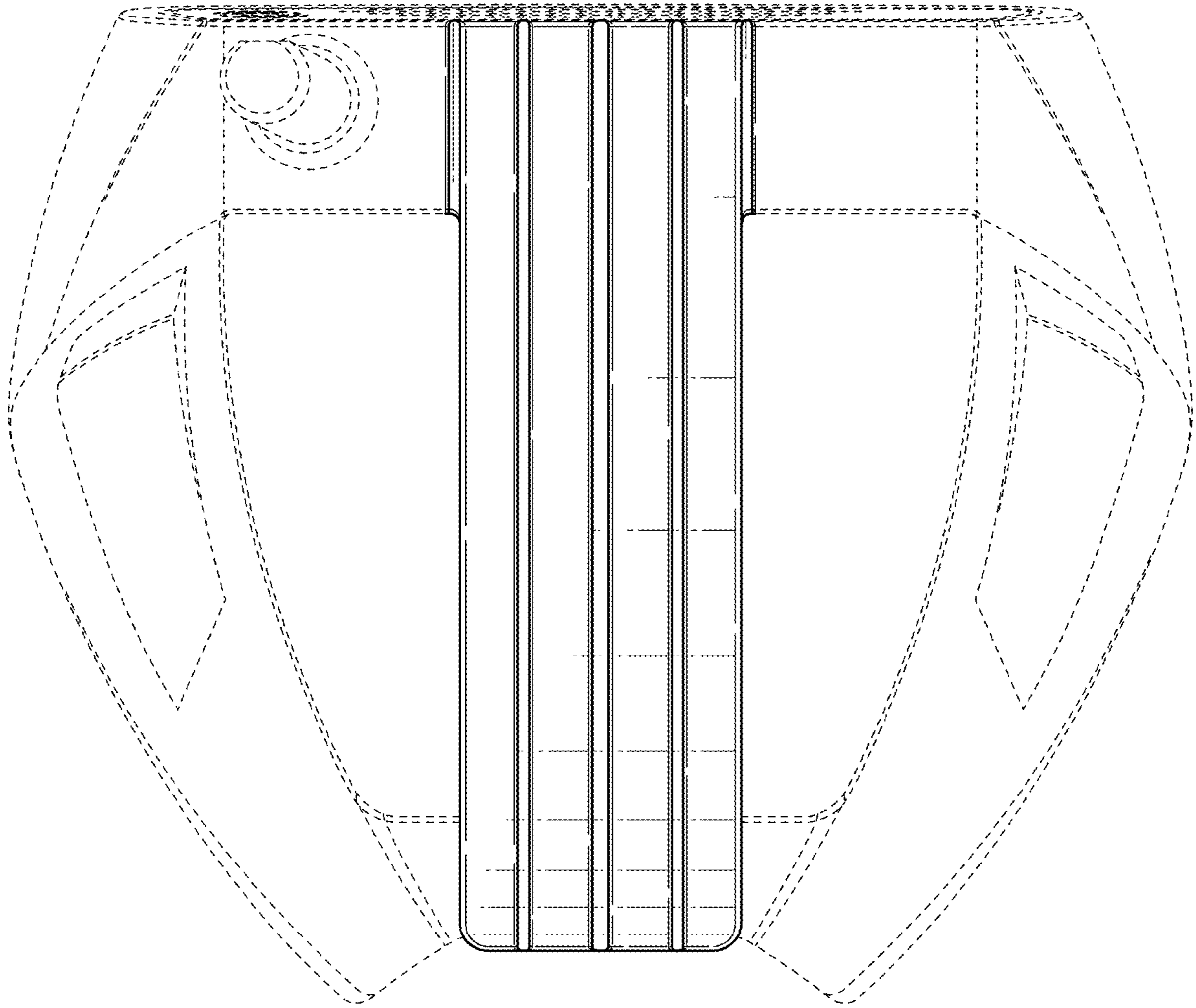


FIG. 6

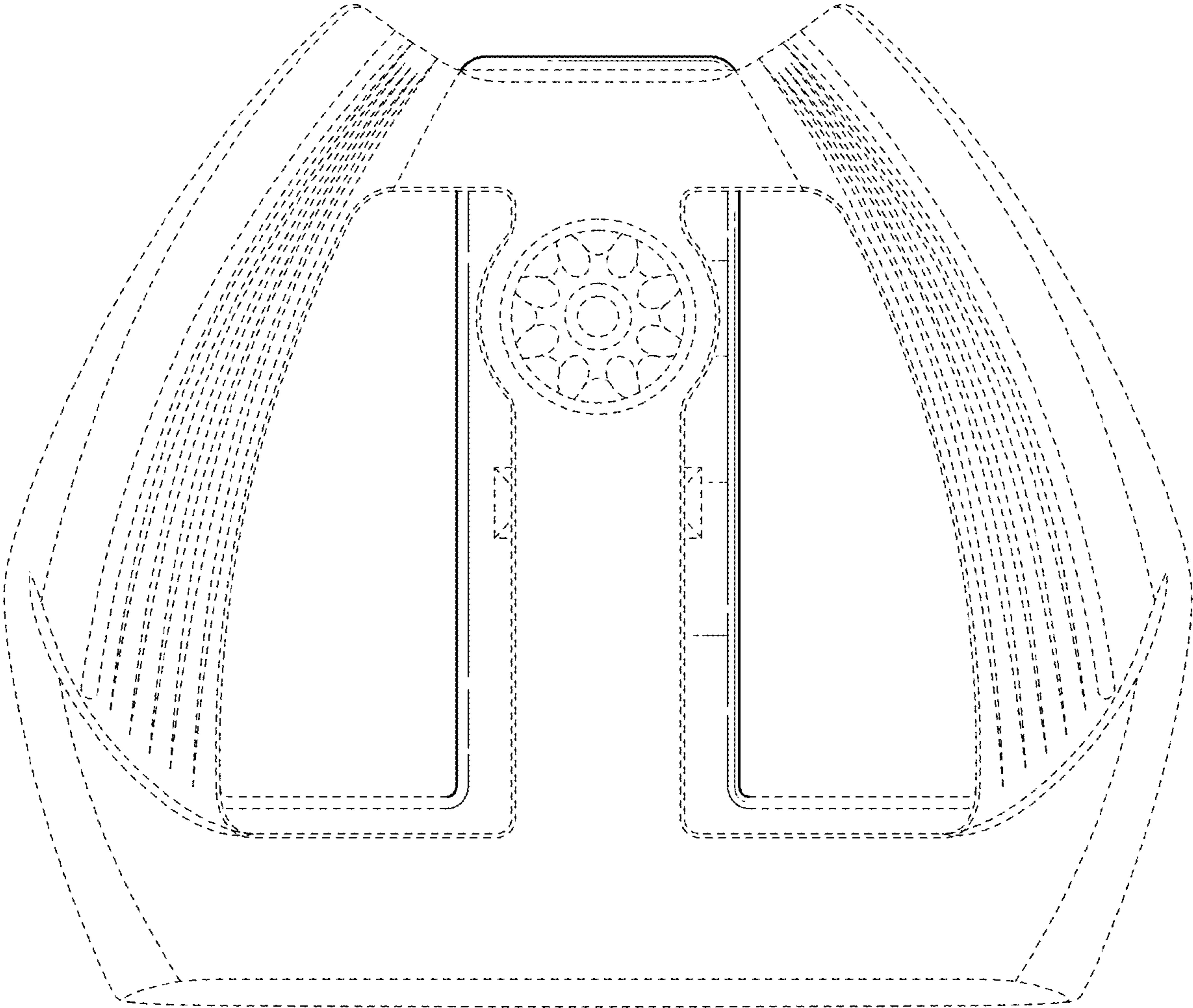


FIG. 7