



US00D909514S

(12) **United States Design Patent**
Cyrulik

(10) **Patent No.:** **US D909,514 S**

(45) **Date of Patent:** **** Feb. 2, 2021**

(54) **GOLF CLUB HEAD**

(71) Applicant: **SUMITOMO RUBBER INDUSTRIES, LTD.**, Kobe (JP)

(72) Inventor: **Darius Cyrulik**, Alhambra, CA (US)

(73) Assignee: **SUMITOMO RUBBER INDUSTRIES, LTD.**, Kobe (JP)

(**) Term: **15 Years**

(21) Appl. No.: **29/696,376**

(22) Filed: **Jun. 27, 2019**

(51) **LOC (13) Cl.** **21-02**

(52) **U.S. Cl.**
USPC **D21/759**

(58) **Field of Classification Search**
USPC D21/733, 752, 759
CPC A63B 53/00; A63B 53/04; A63B 53/0466;
A63B 2053/002; A63B 2053/0445; A63B
2053/0433; A63B 2053/0491; A63B
2053/0437; A63B 60/00; A63B 60/46
See application file for complete search history.

(56) **References Cited**

U.S. PATENT DOCUMENTS

D266,344 S	*	9/1982	Duclos	D21/752
D307,783 S	*	5/1990	Iinuma	D21/752
D343,665 S	*	1/1994	Feche	D21/752
5,464,217 A	*	11/1995	Shenoha	A63B 60/52
					473/350

D394,688 S	*	5/1998	Fox	D21/733
D410,057 S	*	5/1999	Ortiz	D21/752
D435,075 S	*	12/2000	Ota	D21/759
D446,567 S	*	8/2001	Nagai	D21/759
D624,979 S	*	10/2010	Morris	D21/752
D718,399 S	*	11/2014	Glod	D21/759
D735,827 S	*	8/2015	Glod	D21/759
D763,983 S	*	8/2016	Tang	D21/752
D791,894 S	*	7/2017	Oyler	D21/752

* cited by examiner

Primary Examiner — Mitchell I. Siegel

(74) *Attorney, Agent, or Firm* — Oliff PLC

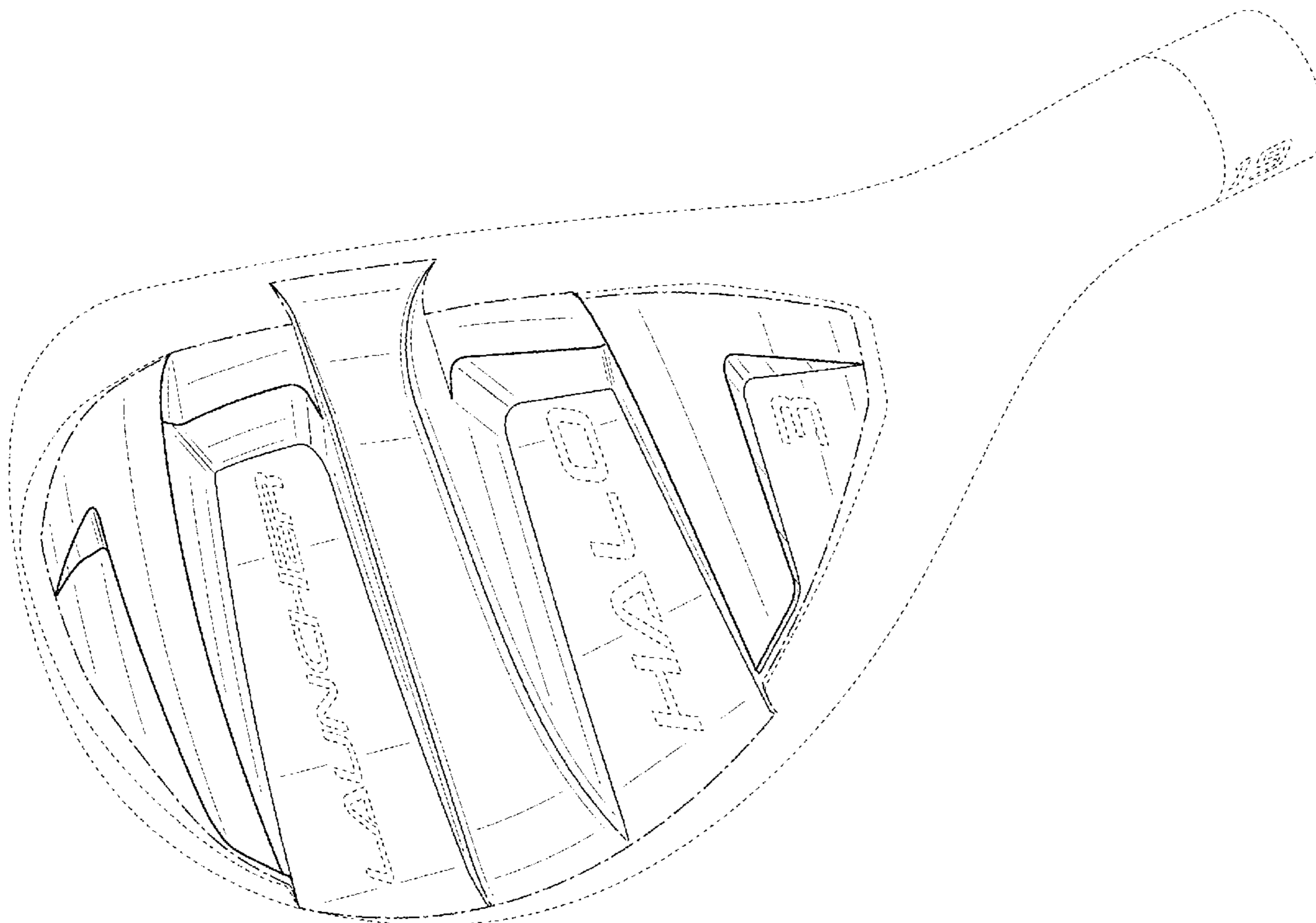
(57) **CLAIM**

The ornamental design for a golf club head, as shown and described.

DESCRIPTION

FIG. 1 is a bottom, heel-side perspective view of the golf club head;
FIG. 2 is a bottom plan view thereof;
FIG. 3 is a heel-side elevational view thereof;
FIG. 4 is a toe-side elevational view thereof;
FIG. 5 is a front elevational view thereof; and,
FIG. 6 is a rear elevational view thereof.
The broken lines depict parts of the golf club head that form no part of the claimed design. The dot-dash chain lines depict boundaries of the claimed subject matter and form no part of the claimed design.

1 Claim, 6 Drawing Sheets



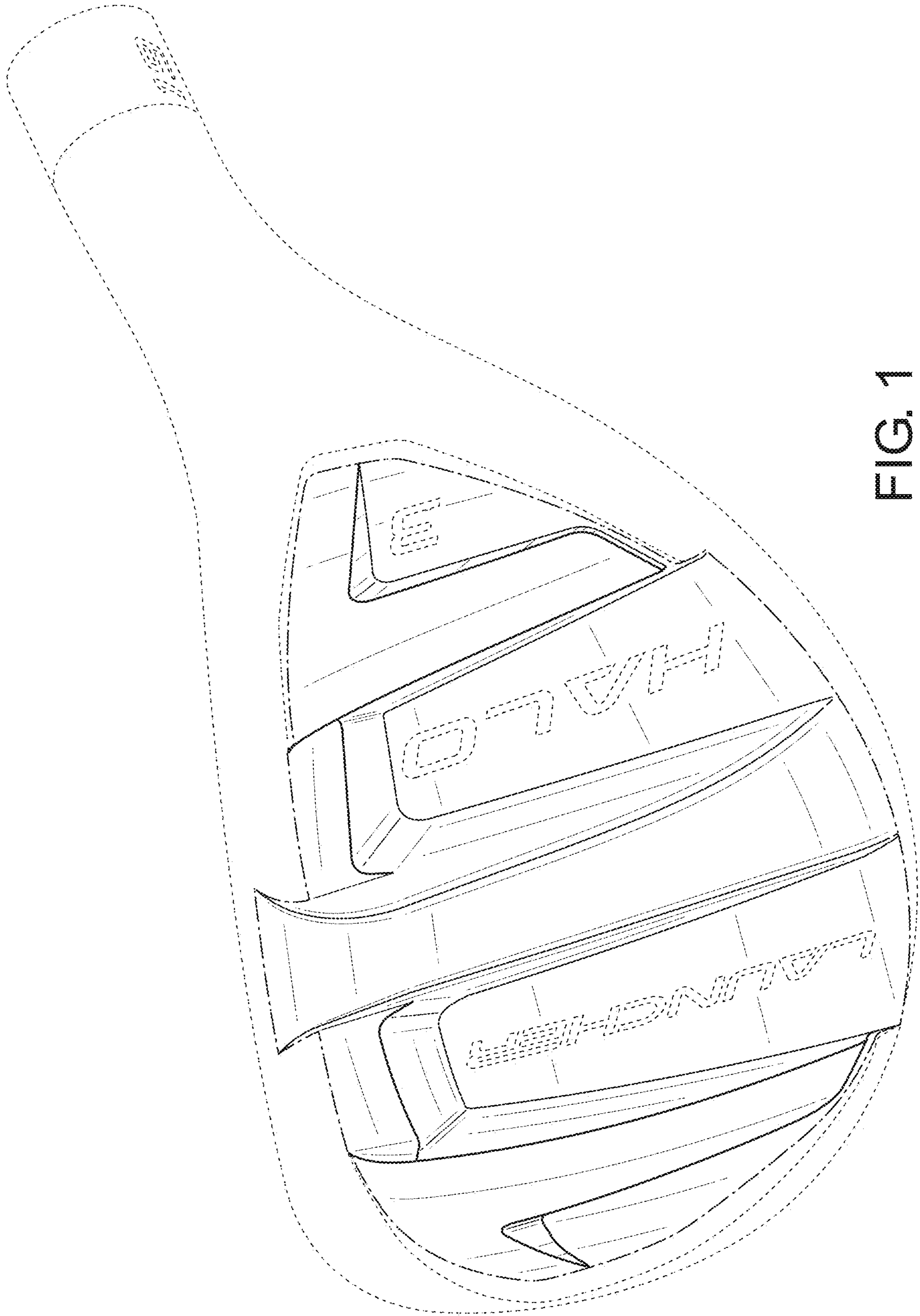


FIG. 1

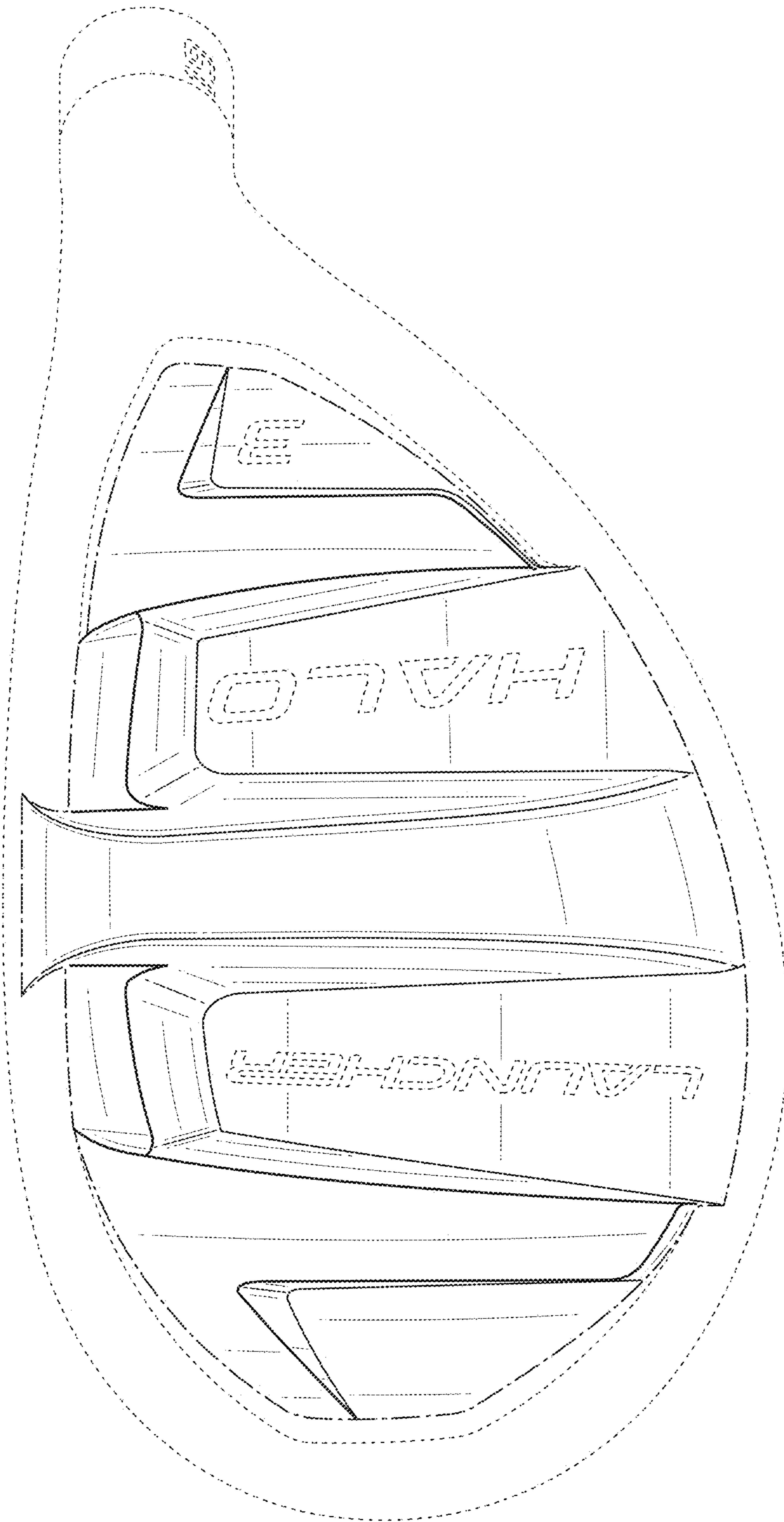


FIG. 2

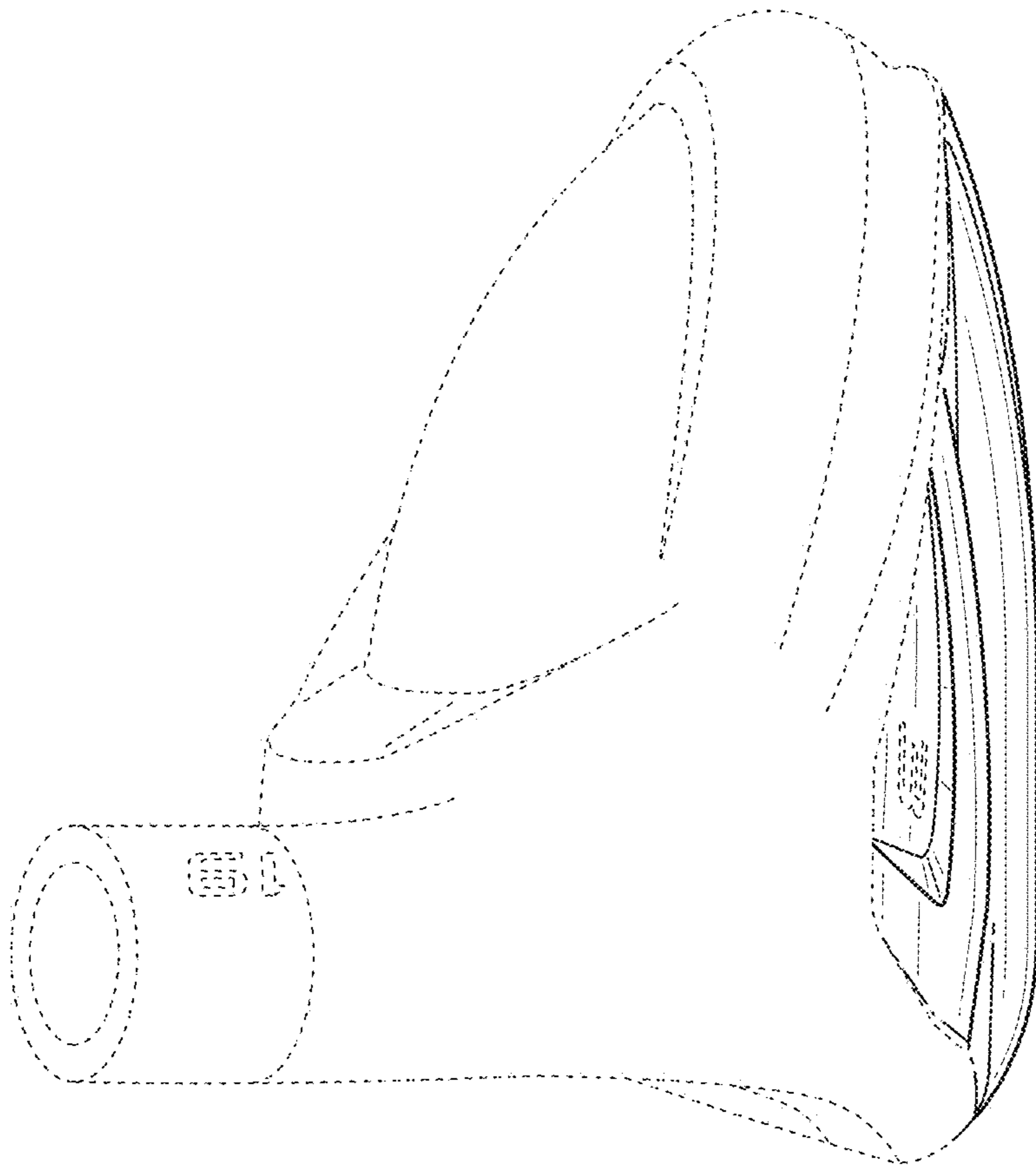


FIG. 3

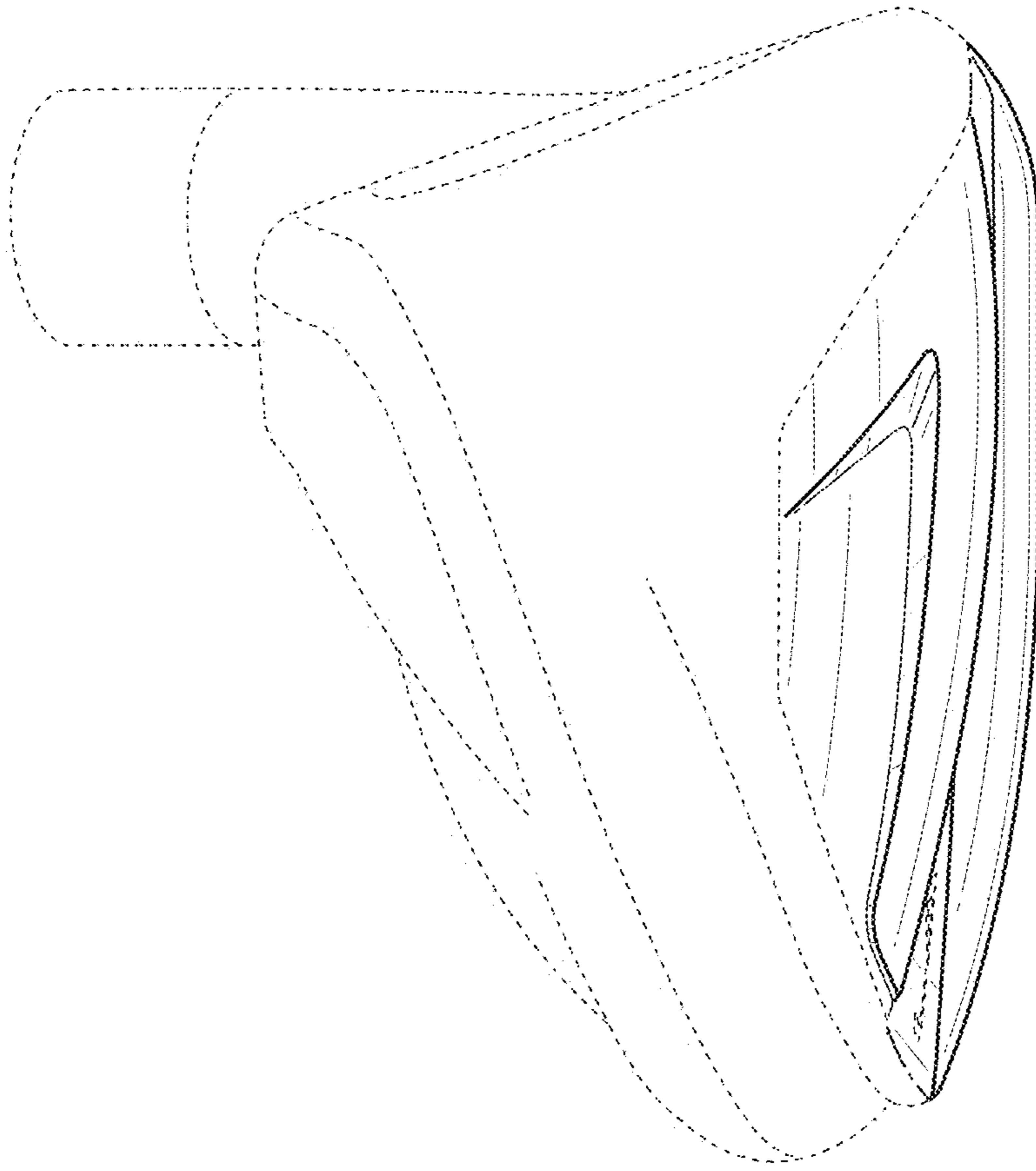


FIG. 4

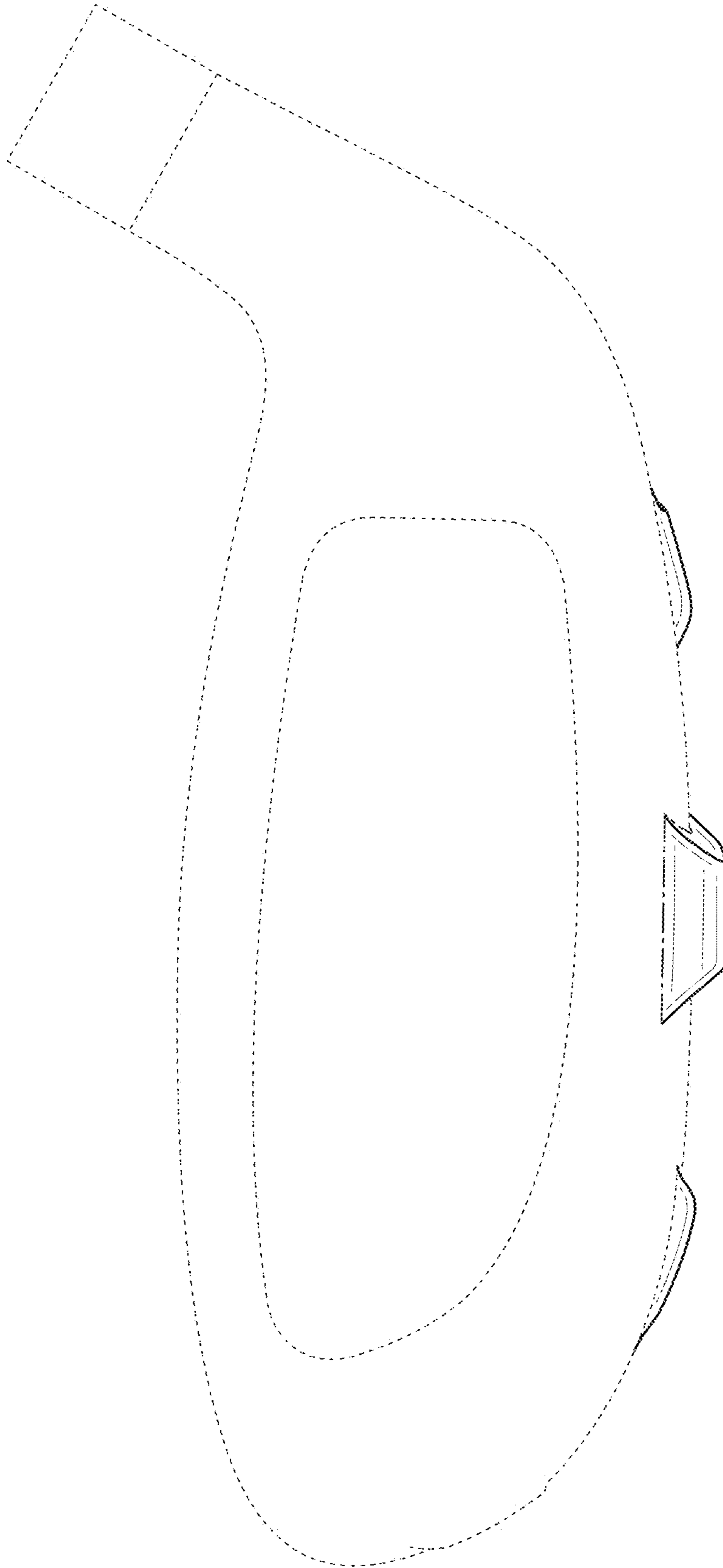


FIG. 5

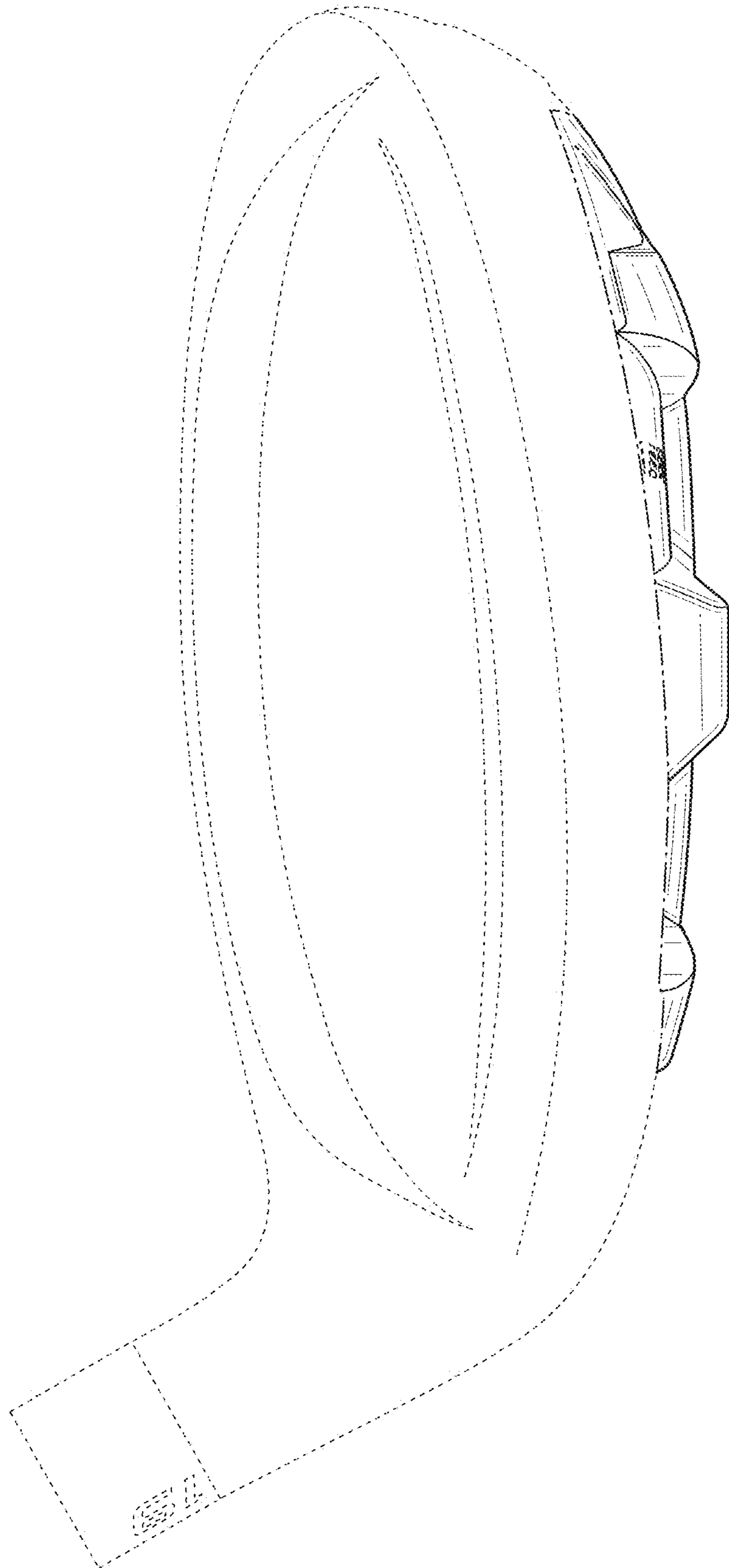


FIG. 6