



US00D909507S

(12) **United States Design Patent**
Rollinson

(10) **Patent No.:** **US D909,507 S**

(45) **Date of Patent:** **** Feb. 2, 2021**

(54) **PUTTER HEAD**

(71) Applicant: **Callaway Golf Company**, Carlsbad,
CA (US)

(72) Inventor: **Augustin W. Rollinson**, Solana Beach,
CA (US)

(73) Assignee: **Callaway Golf Company**, Carlsbad,
CA (US)

(**) Term: **15 Years**

(21) Appl. No.: **29/702,576**

(22) Filed: **Aug. 20, 2019**

(51) **LOC (13) Cl.** **21-02**

(52) **U.S. Cl.**

USPC **D21/736**

(58) **Field of Classification Search**

USPC D21/736-746, 759

CPC A63B 53/00; A63B 53/04; A63B 53/007;

A63B 53/065; A63B 53/0487; A63B

60/00; A63B 60/46

See application file for complete search history.

(56) **References Cited**

U.S. PATENT DOCUMENTS

D369,393 S	*	4/1996	Takahashi	D21/745
D378,392 S	*	3/1997	Shumway	D21/743
D520,582 S	*	5/2006	Zelnicek	D21/736
D532,468 S	*	11/2006	Hettinger	D21/743
D571,880 S	*	6/2008	Ban	D21/744
D590,463 S	*	4/2009	Hettinger	D21/743

D634,801 S	*	3/2011	Rollinson	D21/743
D643,894 S	*	8/2011	Price	D21/744
D645,923 S	*	9/2011	Price	D21/736
D699,308 S	*	2/2014	Rollinson	D21/736
D796,603 S	*	9/2017	Serrano	D21/744
D860,357 S	*	9/2019	Rollinson	D21/746
D873,358 S	*	1/2020	Lee	D21/744
D892,955 S	*	8/2020	Clarke	D21/744
D895,747 S	*	9/2020	Rollinson	D21/743
D898,846 S	*	10/2020	Clarke	D21/743
D898,847 S	*	10/2020	Clarke	D21/743

* cited by examiner

Primary Examiner — Mitchell I. Siegel

(74) *Attorney, Agent, or Firm* — Rebecca Hanovice;
Michael Catania; Sonia Lari

(57) **CLAIM**

The ornamental design for a putter head, as shown and described.

DESCRIPTION

FIG. 1 is a rear perspective view of the putter head claimed herein;

FIG. 2 is a rear elevational view thereof;

FIG. 3 is a front elevational view thereof;

FIG. 4 is a right side elevational view thereof;

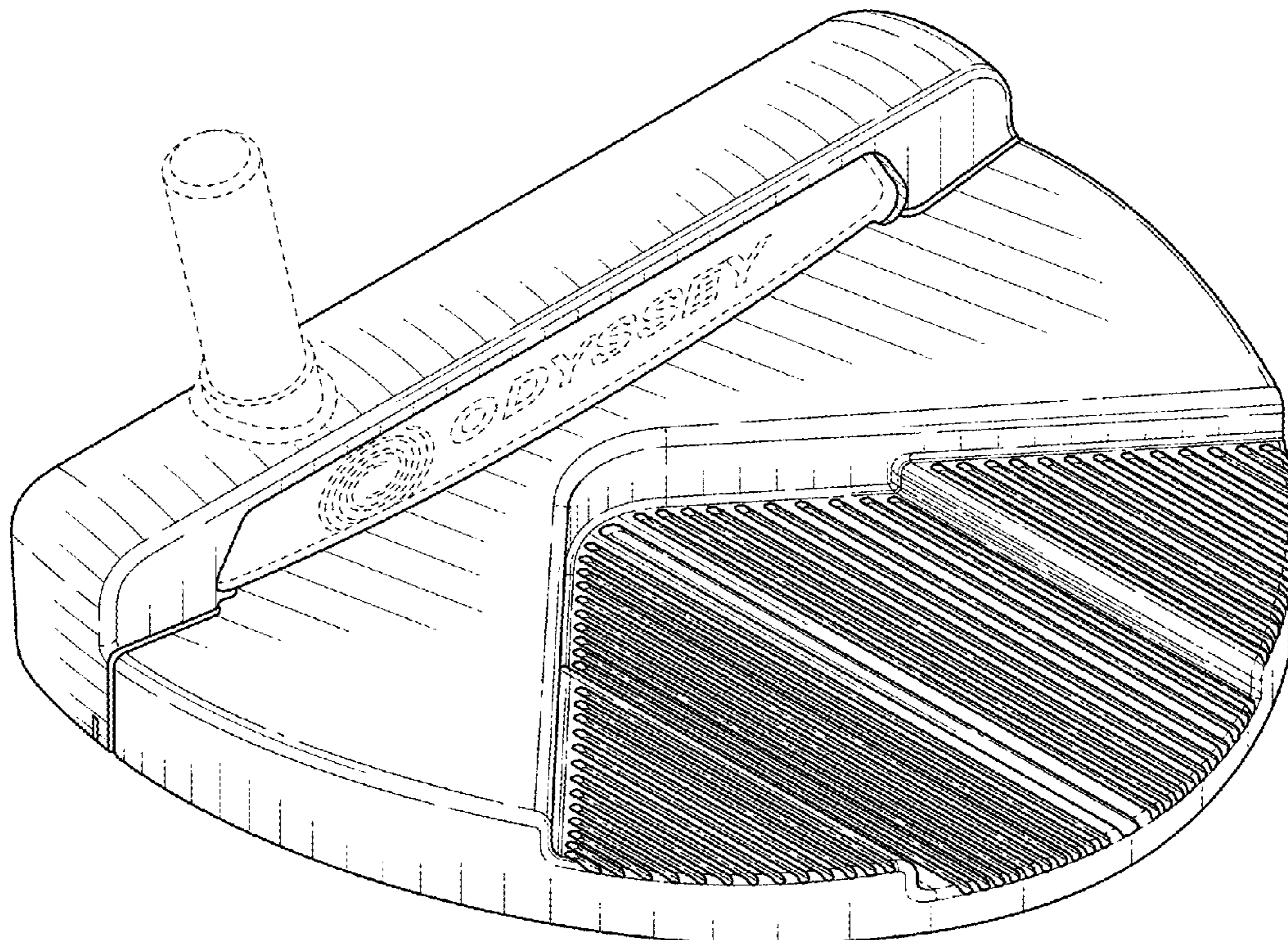
FIG. 5 is a left side elevational view thereof;

FIG. 6 is a top plan view thereof; and,

FIG. 7 is a bottom plan view thereof.

The broken lines shown form no part of the claimed design.

1 Claim, 5 Drawing Sheets



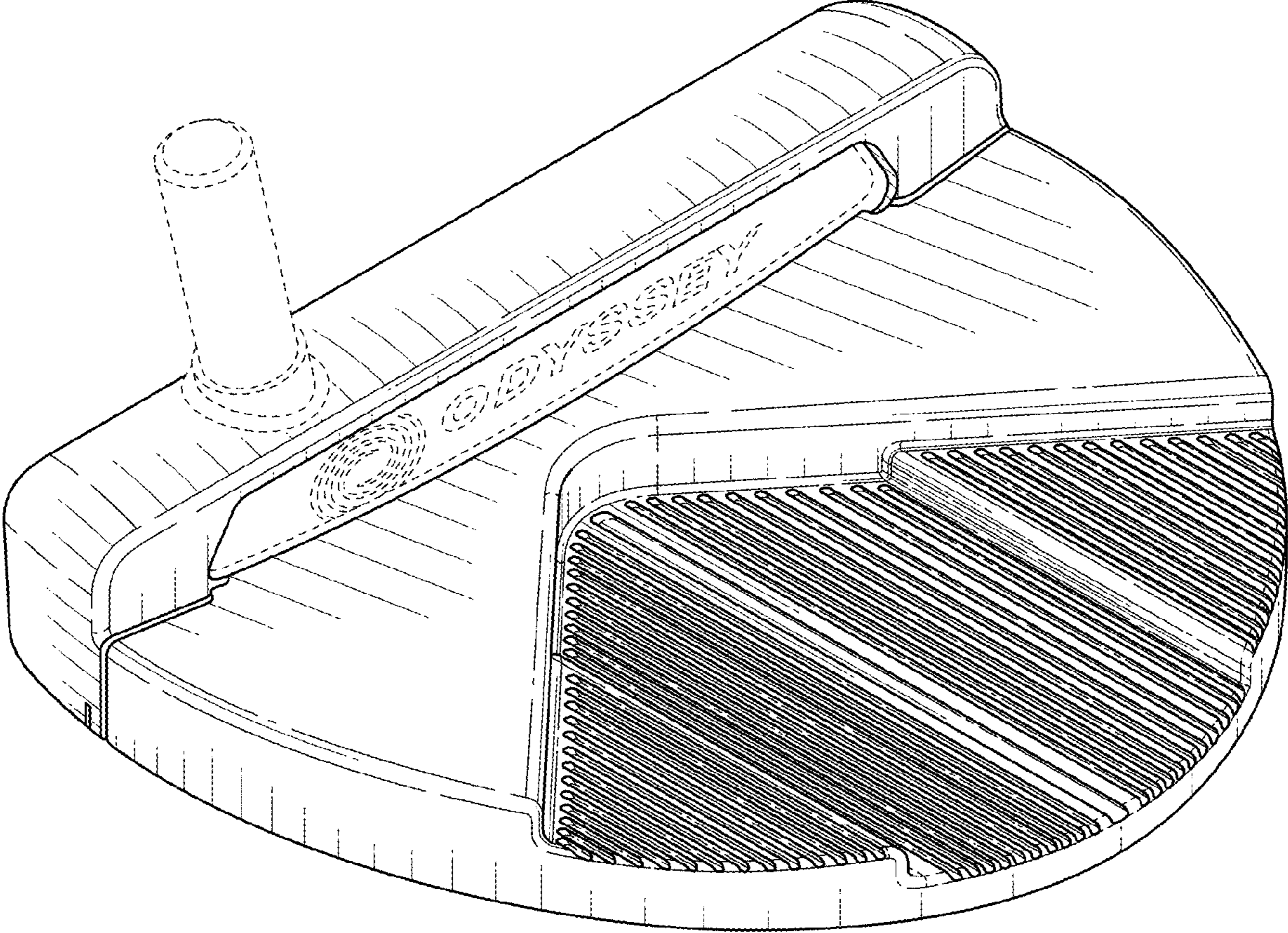


FIG. 1

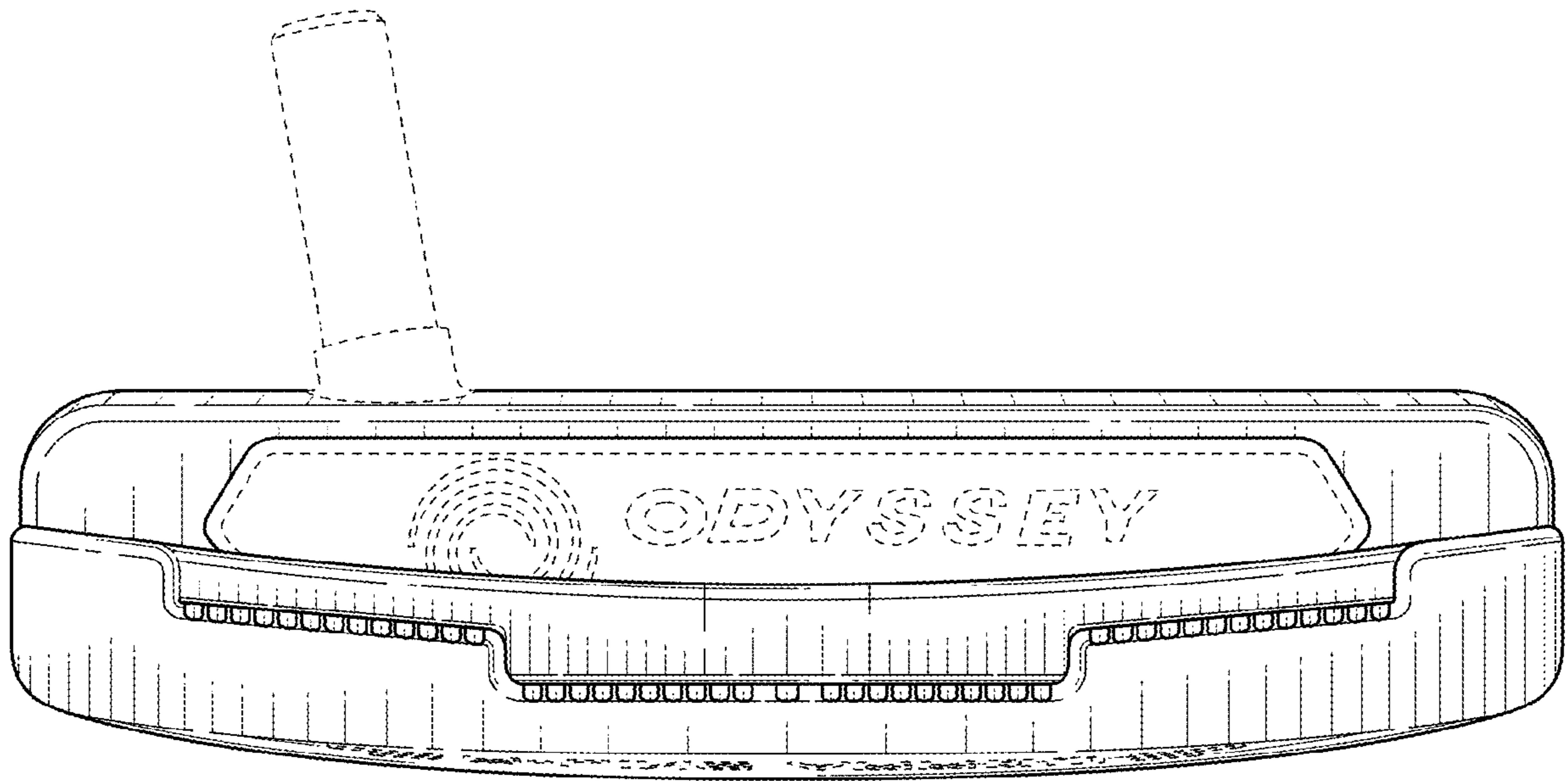


FIG. 2

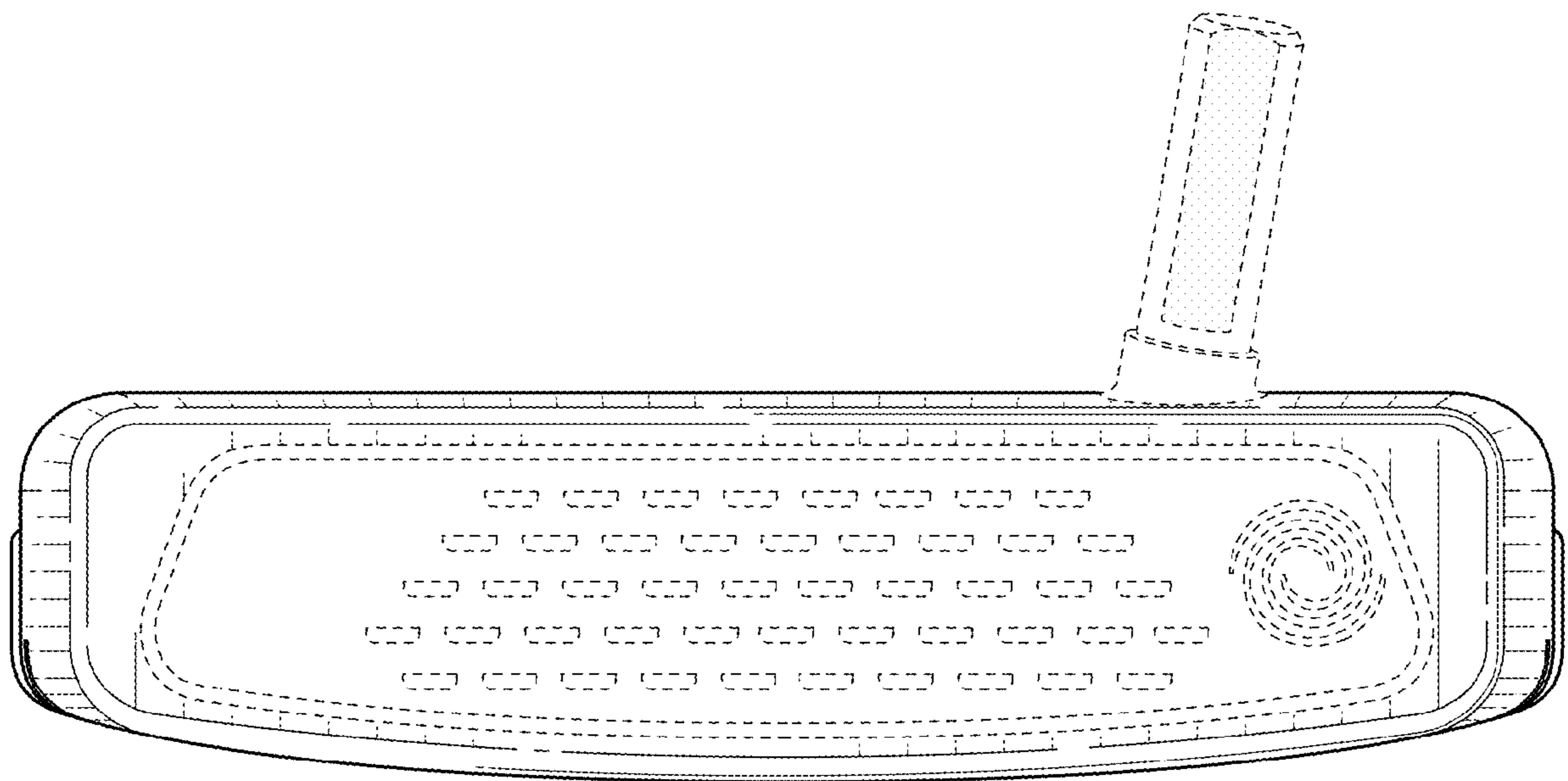


FIG. 3

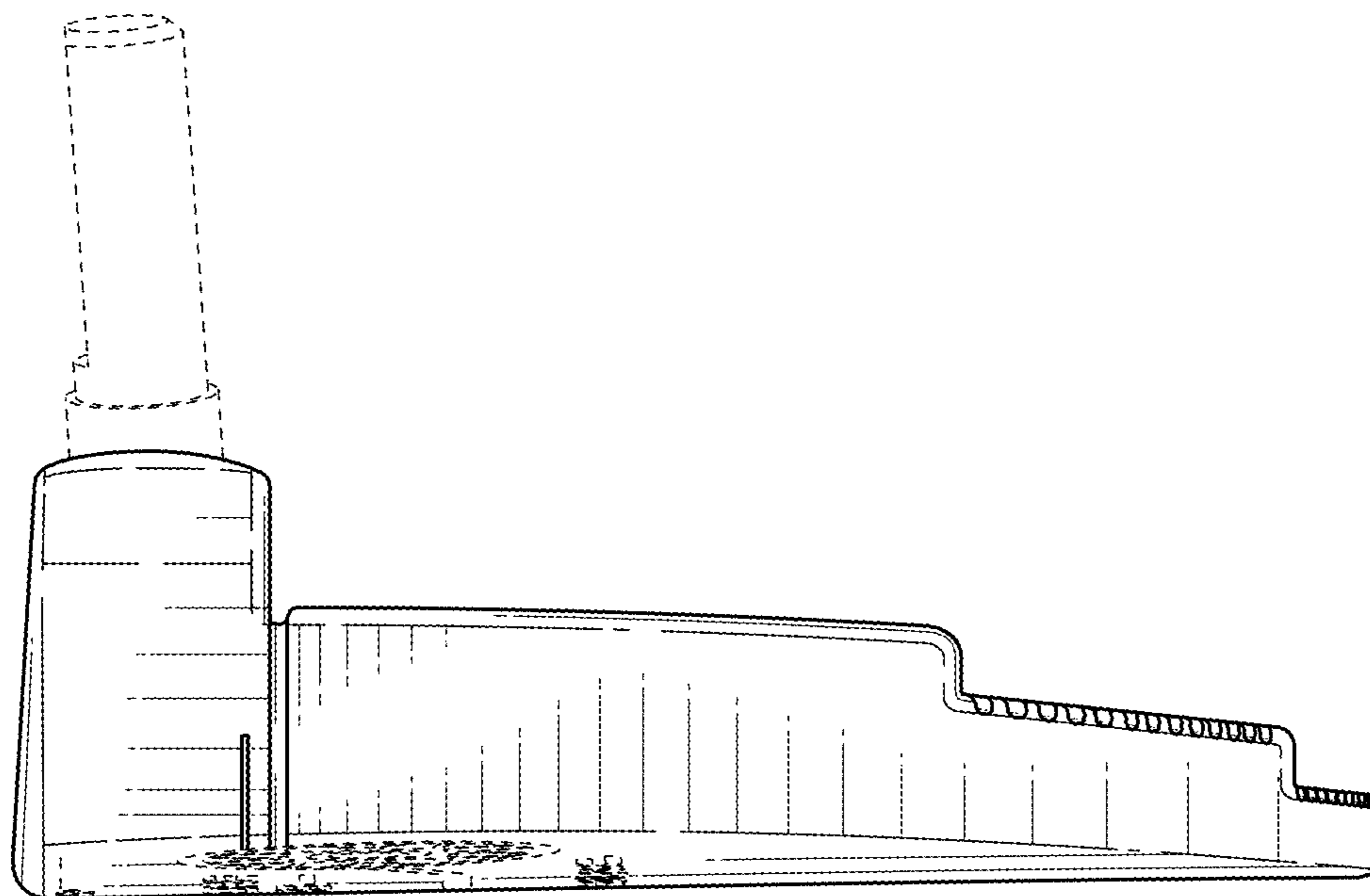


FIG. 4

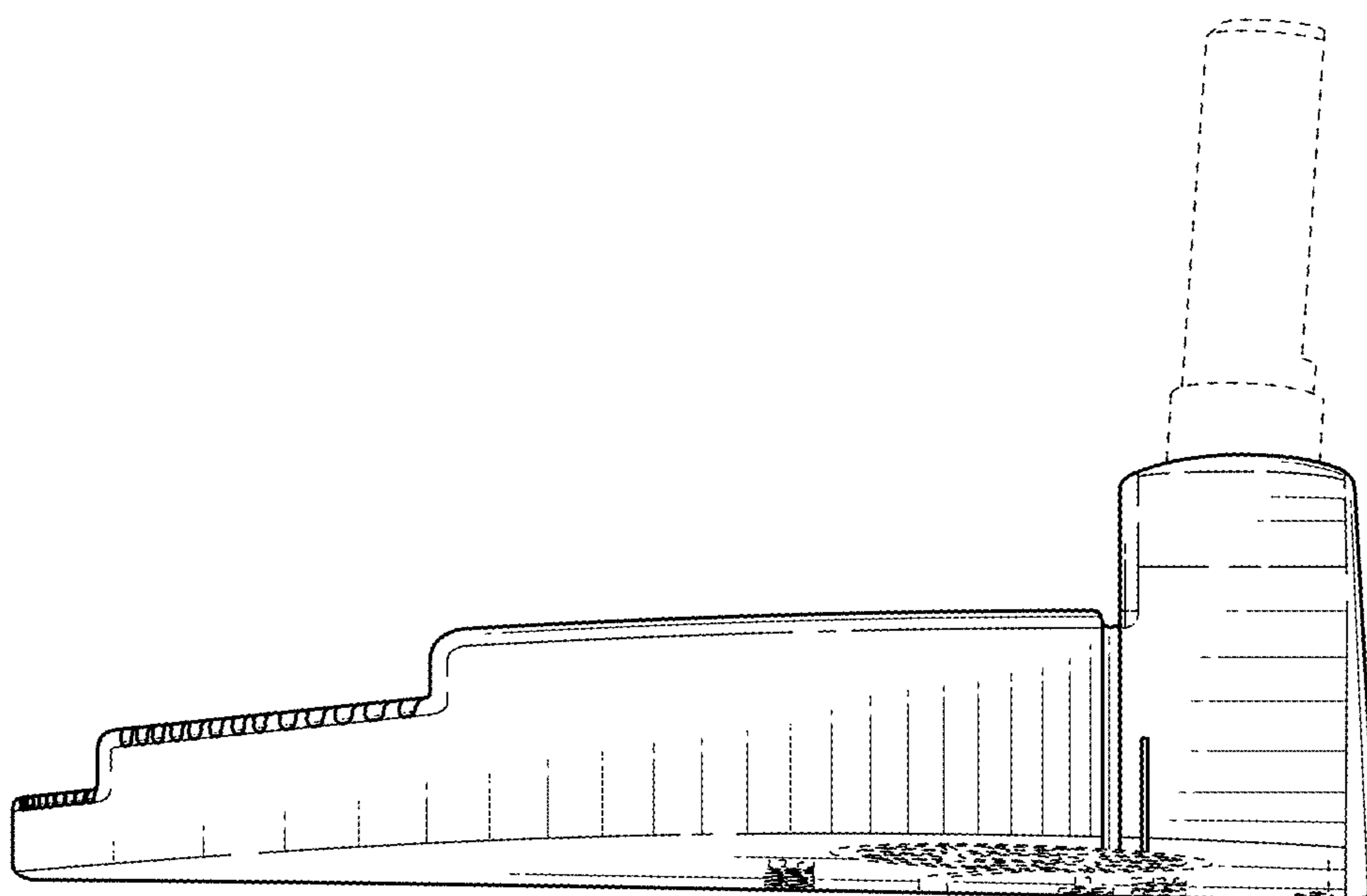


FIG. 5

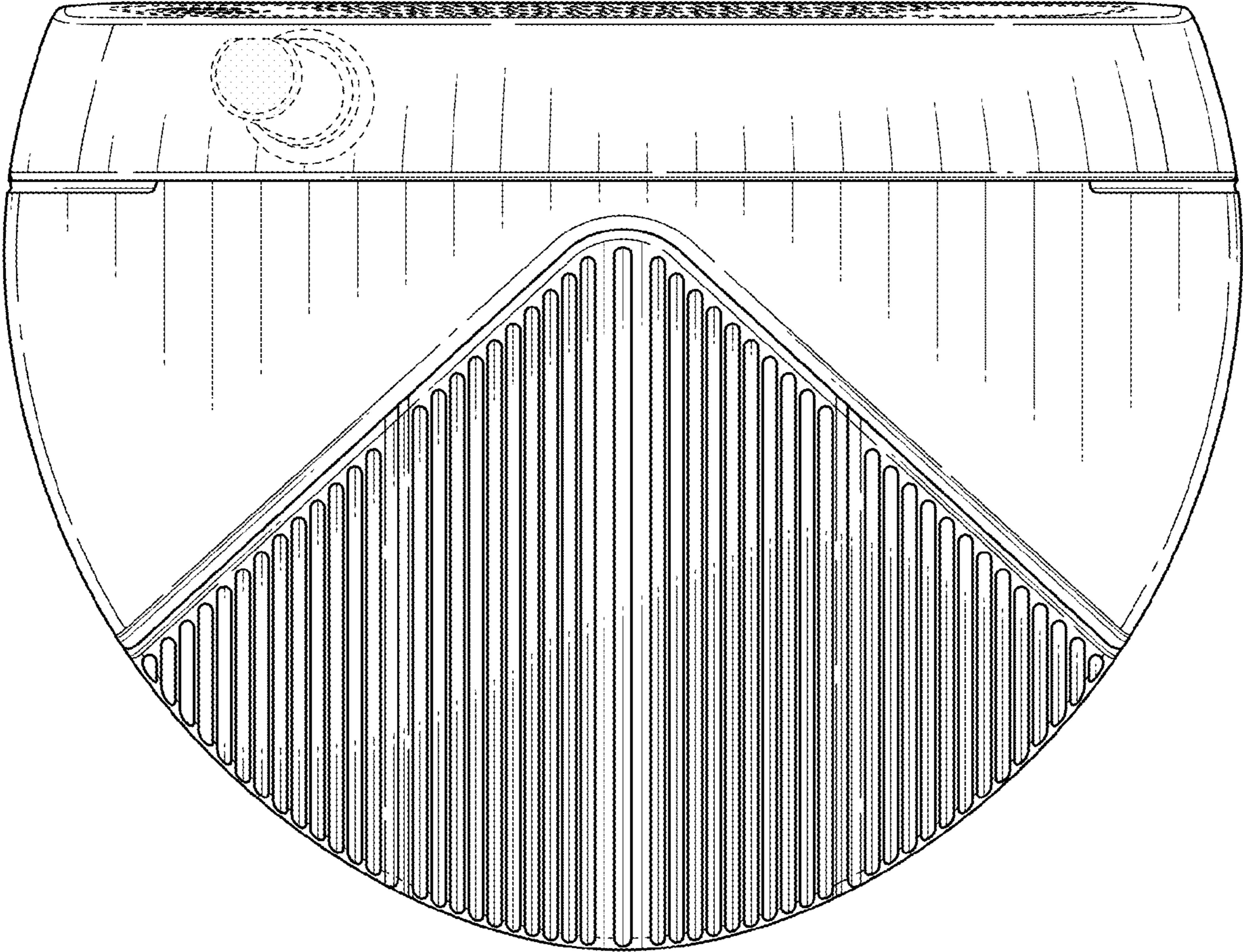


FIG. 6

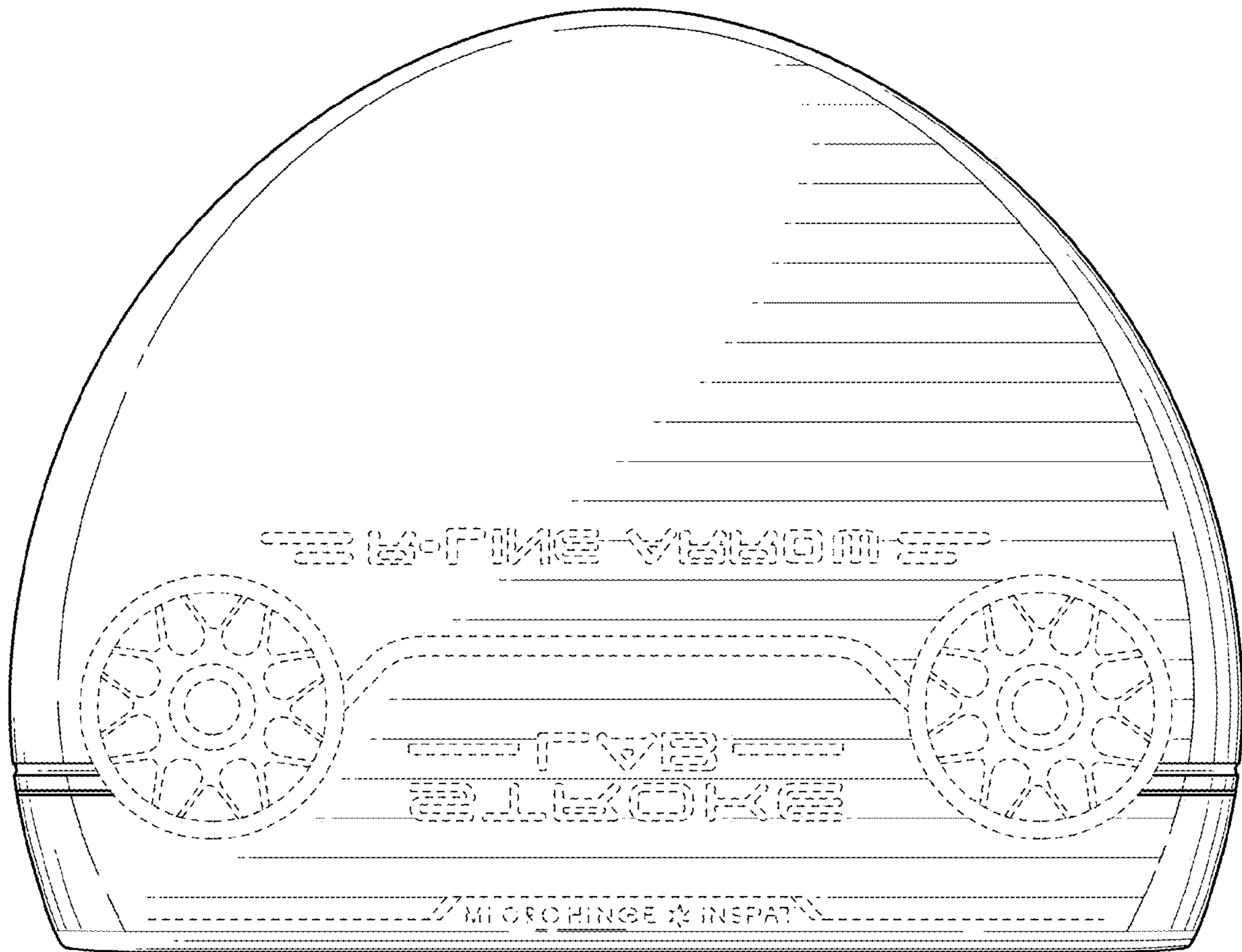


FIG. 7