



US00D909506S

(12) **United States Design Patent**
Schweigert et al.

(10) **Patent No.:** **US D909,506 S**

(45) **Date of Patent:** **** Feb. 2, 2021**

(54) **GOLF CLUB HEAD**

(71) Applicant: **PARSONS XTREME GOLF, LLC**,
Scottsdale, AZ (US)

(72) Inventors: **Bradley D. Schweigert**, Cave Creek,
AZ (US); **Michael R. Nicolette**,
Scottsdale, AZ (US)

(73) Assignee: **PARSONS XTREME GOLF, LLC**,
Scottsdale, AZ (US)

(**) Term: **15 Years**

(21) Appl. No.: **29/696,812**

(22) Filed: **Jul. 1, 2019**

Related U.S. Application Data

(63) Continuation-in-part of application No. 29/687,953,
filed on Apr. 17, 2019, now abandoned.

(51) **LOC (13) Cl.** **21-02**

(52) **U.S. Cl.**
USPC **D21/736**

(58) **Field of Classification Search**
USPC D21/736-746, 759
CPC A63B 53/00; A63B 53/04; A63B 53/007;
A63B 53/065; A63B 53/0487; A63B
60/00; A63B 60/46

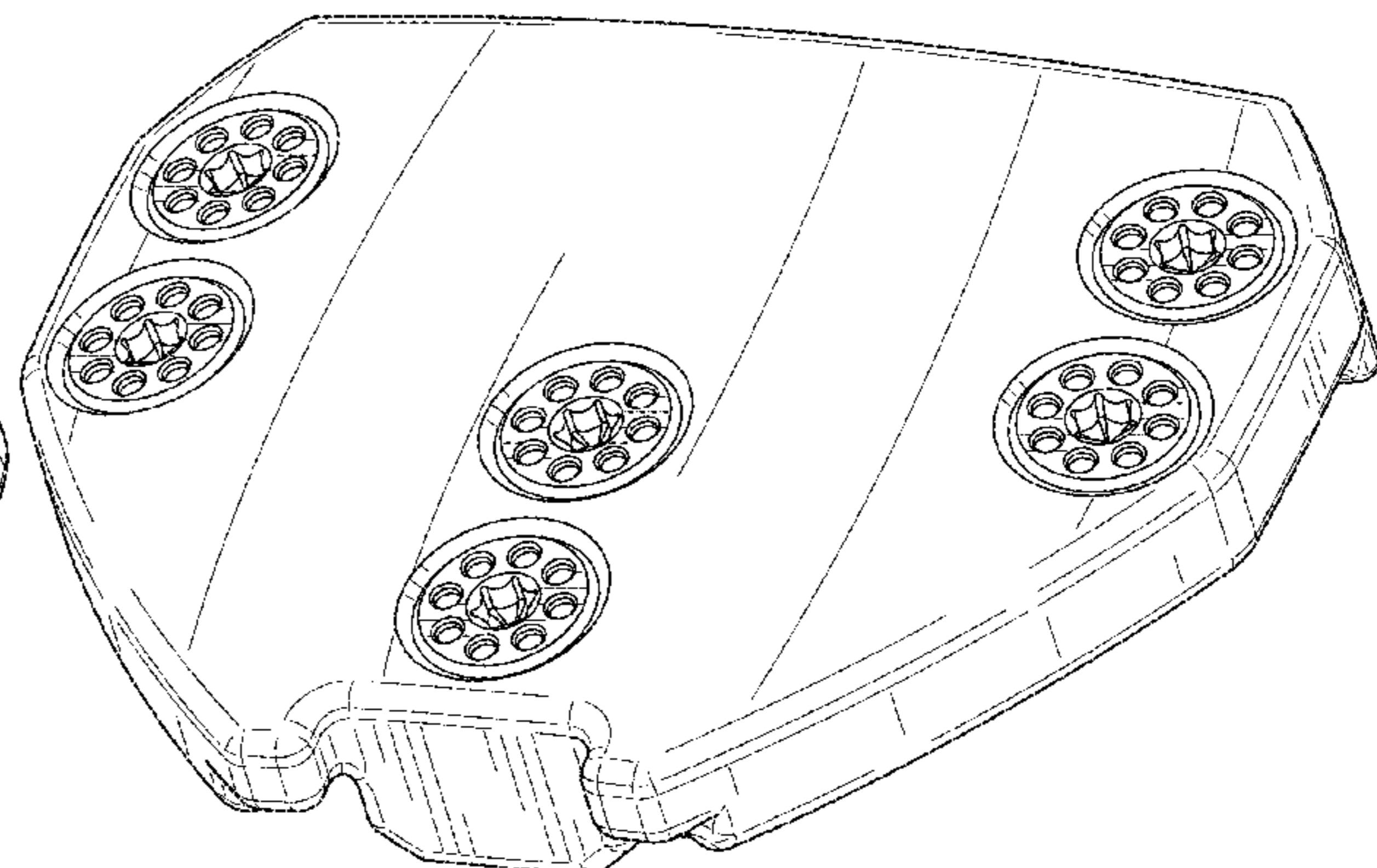
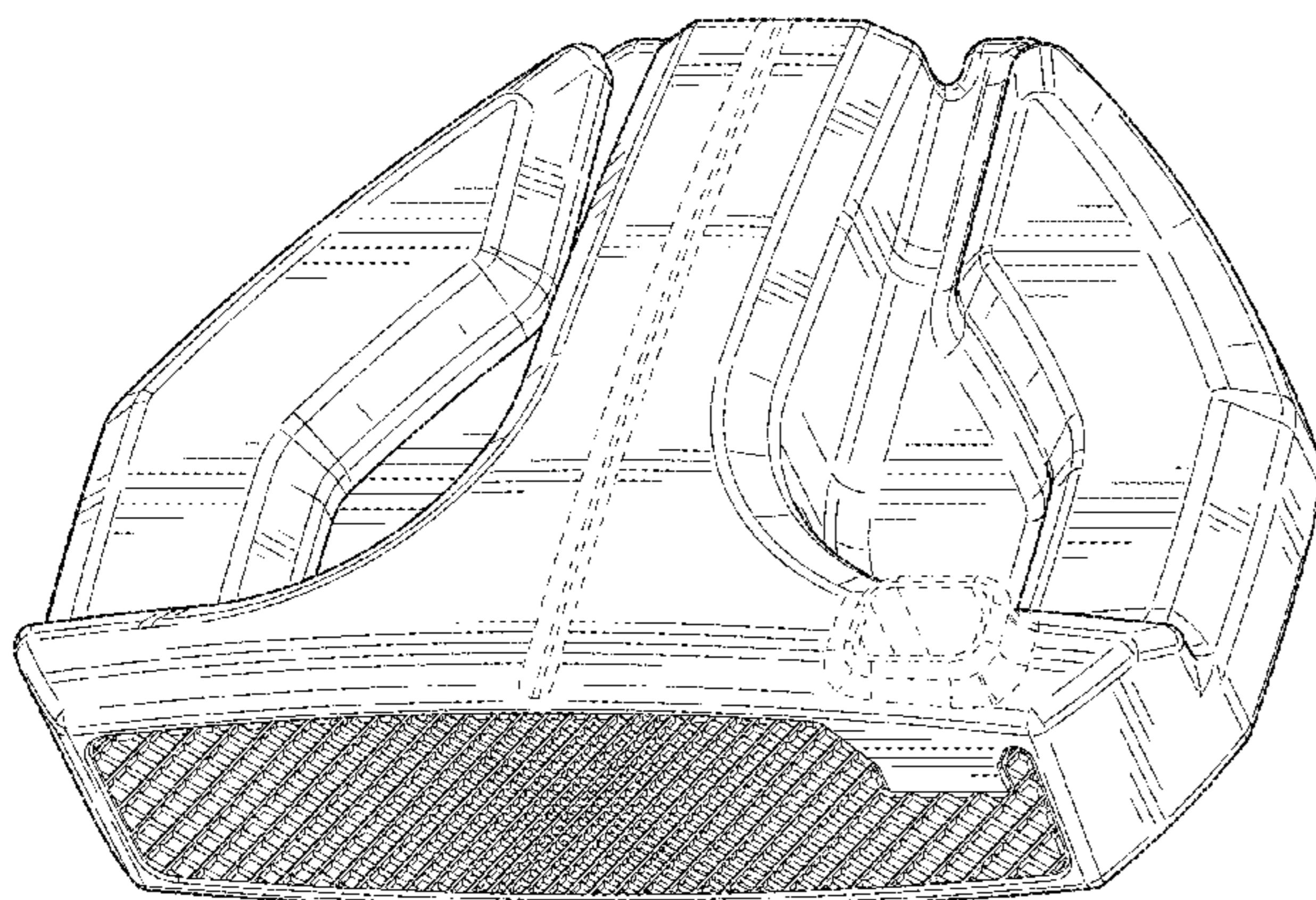
See application file for complete search history.

(56) **References Cited**

U.S. PATENT DOCUMENTS

RE19,178 E	5/1934	Spiker
4,043,562 A	8/1977	Shillington
D248,783 S	8/1978	Long
D281,092 S	10/1985	Mills
4,754,977 A	7/1988	Sahm
4,869,507 A	9/1989	Sahm
D313,451 S	1/1991	Shearer
D335,317 S	5/1993	Shearer
D335,692 S	5/1993	Antonious
D336,757 S	6/1993	Antonious
D350,582 S	9/1994	Miansian et al.

5,348,014 A	9/1994	Okado
5,390,919 A	2/1995	Stubbs
5,429,366 A	7/1995	McCabe
D363,101 S	10/1995	Sturm
5,489,097 A	2/1996	Simmons
D368,751 S	4/1996	Rife
D369,393 S	4/1996	Oku
D365,864 S	10/1996	Strum
5,571,053 A	11/1996	Lane
D378,688 S	4/1997	Cameron
D380,514 S	7/1997	Markley
D385,609 S	10/1997	Cameron
5,683,307 A	11/1997	Rife
D388,143 S	12/1997	Huan-Chiang
D389,207 S	1/1998	Cameron
D398,685 S	9/1998	Masuda
D399,290 S	10/1998	Sizemore, Jr.
D399,911 S	10/1998	Sanchez
5,839,974 A	11/1998	McAllister
D405,836 S	2/1999	Nicolette et al.
D409,701 S	5/1999	Ashcraft et al.
5,924,938 A	7/1999	Hines
D422,655 S	4/2000	Hicks
D426,276 S	6/2000	Besnard et al.
D431,854 S	10/2000	Cameron
D432,192 S	10/2000	Hicks
D436,151 S	1/2001	Nicolette et al.
D437,374 S	2/2001	Cameron
D441,820 S	5/2001	Nicolette et al.
D443,668 S	6/2001	Nicolette et al.
D443,905 S	6/2001	Nicolette et al.
D444,833 S	7/2001	Nicolette
6,264,571 B1	7/2001	Lekavich
D449,664 S	10/2001	Beebe et al.
D449,865 S	10/2001	Fife, Jr. et al.
D450,799 S	11/2001	Nicolette et al.
D451,973 S	12/2001	Wells et al.
6,354,959 B1	3/2002	Nicolette
6,394,910 B1	5/2002	McCarthy
D472,949 S	4/2003	Serrano
D474,821 S	5/2003	Wells et al.
D483,086 S	12/2003	Schweigert
D486,872 S	2/2004	Schweigert et al.
D498,276 S	11/2004	Schweigert et al.
6,902,496 B2	6/2005	Solheim
D511,801 S	11/2005	Garcia
D512,114 S	11/2005	Garcia
D512,116 S	11/2005	Miraflor et al.
6,988,956 B2	1/2006	Cover
D520,088 S	5/2006	Parr
D531,242 S	10/2006	Adams
D532,067 S	11/2006	Soracco
7,153,220 B2	12/2006	Lo



D534,595 S 1/2007 Hasebe
 7,156,752 B1 1/2007 Bennett
 D536,401 S 2/2007 Kawami
 D536,403 S 2/2007 Kawami
 D538,371 S 3/2007 Kawami
 7,204,765 B2 4/2007 Cover
 D542,869 S 5/2007 Adams
 D543,598 S 5/2007 Kuan et al.
 D543,601 S 5/2007 Kawami
 D555,219 S 11/2007 Lin
 D556,277 S 11/2007 Broom
 D561,854 S * 2/2008 Morris D21/744
 7,331,876 B2 2/2008 Klein
 7,351,162 B2 4/2008 Soracco
 D569,930 S 5/2008 Nehrbus
 7,396,289 B2 7/2008 Soracco
 D577,086 S 8/2008 Nicolette et al.
 D577,085 S 9/2008 Nicolette et al.
 D579,506 S 10/2008 Nicolette et al.
 D579,995 S 11/2008 Nicolette et al.
 D582,497 S 12/2008 Rollinson
 7,473,189 B2 1/2009 Schweigert
 7,491,131 B2 2/2009 Vinton
 D595,793 S * 7/2009 Rollinson D21/736
 D596,461 S 7/2009 Mansfield
 D599,425 S 9/2009 Laub
 D599,867 S 9/2009 Teramoto
 D600,763 S 9/2009 Cameron
 D601,214 S 9/2009 Serrano
 D607,951 S 1/2010 Teramoto
 7,744,485 B2 6/2010 Jones
 D620,993 S 8/2010 Laub
 D623,709 S 9/2010 Serrano et al.
 D631,925 S 2/2011 Broom
 7,887,432 B2 2/2011 Jones
 D633,964 S 3/2011 Teramoto
 7,909,707 B2 3/2011 Klein
 7,918,745 B2 4/2011 Morris
 7,927,226 B1 4/2011 Twitty
 D638,891 S 5/2011 Nicolette et al.
 D642,643 S 8/2011 Nicolette et al.
 D643,485 S 8/2011 Nicolette et al.
 D645,104 S 9/2011 Nicolette et al.
 8,096,039 B2 1/2012 Soracco
 D653,718 S * 2/2012 Stokke D21/743
 D655,361 S 3/2012 Ramsauer
 D661,753 S 6/2012 Cameron et al.
 D666,260 S 8/2012 Cynn
 8,376,878 B2 2/2013 Bennett
 D688,339 S 8/2013 Hilton et al.
 D688,341 S 8/2013 Rollinson
 D691,226 S 10/2013 Hilton et al.
 D699,308 S 2/2014 Rollinson
 D704,782 S 5/2014 Rollinson
 8,721,472 B2 5/2014 Kuan
 8,790,193 B2 7/2014 Serrano
 D711,483 S 8/2014 Wong
 D715,388 S * 10/2014 Serrano D21/743
 D722,350 S 2/2015 Schweigert
 D722,351 S 2/2015 Parsons et al.
 D722,352 S 2/2015 Nicolette et al.
 D723,120 S 2/2015 Nicolette
 D724,164 S 3/2015 Schweigert et al.
 D725,208 S 3/2015 Schweigert
 D726,265 S 4/2015 Nicolette
 D726,846 S 4/2015 Schweigert
 D726,849 S 4/2015 Burns
 D733,234 S 6/2015 Nicolette
 D735,283 S 7/2015 Solheim
 D738,447 S 9/2015 Schweigert
 D738,449 S 9/2015 Schweigert
 D739,487 S 9/2015 Schweigert
 D741,426 S 10/2015 Schweigert
 D746,926 S 1/2016 Parsons
 D748,213 S 1/2016 Parsons et al.
 D748,215 S 1/2016 Parsons et al.
 9,233,283 B2 1/2016 Schweigert
 D750,186 S * 2/2016 Schweigert D21/746
 D752,697 S 3/2016 Claveran

D753,252 S 4/2016 Schweigert
 D783,101 S * 4/2017 Schweigert D21/736
 D791,891 S 7/2017 Davis
 D794,146 S 8/2017 Davis
 D801,458 S * 10/2017 Rollinson D21/742
 D812,163 S 3/2018 Kroloff
 D827,064 S * 8/2018 Wypych D21/743
 D831,766 S * 10/2018 Schweigert D21/743
 D842,952 S * 3/2019 Schweigert D21/743
 D848,562 S * 5/2019 Nicolette D21/736
 D860,350 S * 9/2019 Rollinson D21/742
 D864,325 S * 10/2019 Rollinson D21/743
 10,493,331 B2 * 12/2019 Kroloff A63B 53/0433
 10,561,911 B2 * 2/2020 Parsons A63B 53/0487
 10,576,339 B2 * 3/2020 Schweigert A63B 60/02
 D892,956 S * 8/2020 Clarke D21/744
 10,737,153 B2 * 8/2020 Schweigert A63B 53/0487
 D898,848 S * 10/2020 Clarke D21/743
 2007/0142122 A1 6/2007 Bonneau
 2007/0207875 A1 9/2007 Kuan
 2007/0238548 A1 10/2007 Johnson
 2008/0139333 A1 6/2008 Klein
 2008/0146372 A1 6/2008 John
 2008/0176672 A1 7/2008 Roach
 2011/0165959 A1 7/2011 Klein
 2013/0165256 A1 6/2013 Stevenson
 2013/0210537 A1 8/2013 Ainscough
 2018/0001163 A1 * 1/2018 Becktor A63B 53/0487
 2018/0311545 A1 * 11/2018 Lambeth B23P 15/00

FOREIGN PATENT DOCUMENTS

JP 20050160691 6/2005

OTHER PUBLICATIONS

U.S. Appl. No. 14/586,720, Parsons et al, "Golf Club Heads and Methods to Manufacture Golf Club Heads," filed Dec. 30, 2014.
 U.S. Appl. No. 29/523,587, Schweigert, "Golf Club Head," filed Apr. 10, 2015.
 TourSpecGolf (Gold's Factory Multi Weighted Custom Putter) [online]. Nov. 20, 2010 [retrieved Apr. 21, 2016]. Retrieved from the Internet: <URL: <http://www.tourspecgolf.com/blog/golds-factory-multi-weighted-custom-putter/>>.
 International Search Report and Written Opinion Issued in Connection With Corresponding Application No. PCT/US15/27841 dated Jul. 30, 2015 (14 pages).

* cited by examiner

Primary Examiner — Mitchell I. Siegel

(57) CLAIM

The ornamental design for a golf club head, as shown and described.

DESCRIPTION

FIG. 1 is a top perspective view of a golf club head;
 FIG. 2 is a bottom perspective view of the golf club head of FIG. 1;
 FIG. 3 is a front elevational view of the golf club head of FIG. 1;
 FIG. 4 is a rear elevational view of the golf club head of FIG. 1;
 FIG. 5 is a top view of the golf club head of FIG. 1;
 FIG. 6 is a bottom view of the golf club head of FIG. 1;
 FIG. 7 is a left side view of the golf club head of FIG. 1;
 FIG. 8 is a right side view of the golf club head of FIG. 1;
 FIG. 9 is a top perspective view of a second embodiment of the golf club head;

FIG. 10 is a bottom perspective view of the golf club head of FIG. 9;

FIG. 11 is a front elevational view of the golf club head of FIG. 9;

FIG. 12 is a rear elevational view of the golf club head of FIG. 9;

FIG. 13 is a top view of the golf club head of FIG. 9;

FIG. 14 is a bottom view of the golf club head of FIG. 9;

FIG. 15 is a left side view of the golf club head of FIG. 9;

FIG. 16 is a right side view of the golf club head of FIG. 9;

FIG. 17 is a top perspective view of a third embodiment of the golf club head;

FIG. 18 is a bottom perspective view of the golf club head of FIG. 17;

FIG. 19 is a front elevational view of the golf club head of FIG. 17;

FIG. 20 is a rear elevational view of the golf club head of FIG. 17;

FIG. 21 is a top view of the golf club head of FIG. 17;

FIG. 22 is a bottom view of the golf club head of FIG. 17;

FIG. 23 is a left side view of the golf club head of FIG. 17;

and,

FIG. 24 is a right side view of the golf club head of FIG. 17.

The broken lines shown on the golf club head forms no part of the claimed design.

1 Claim, 18 Drawing Sheets

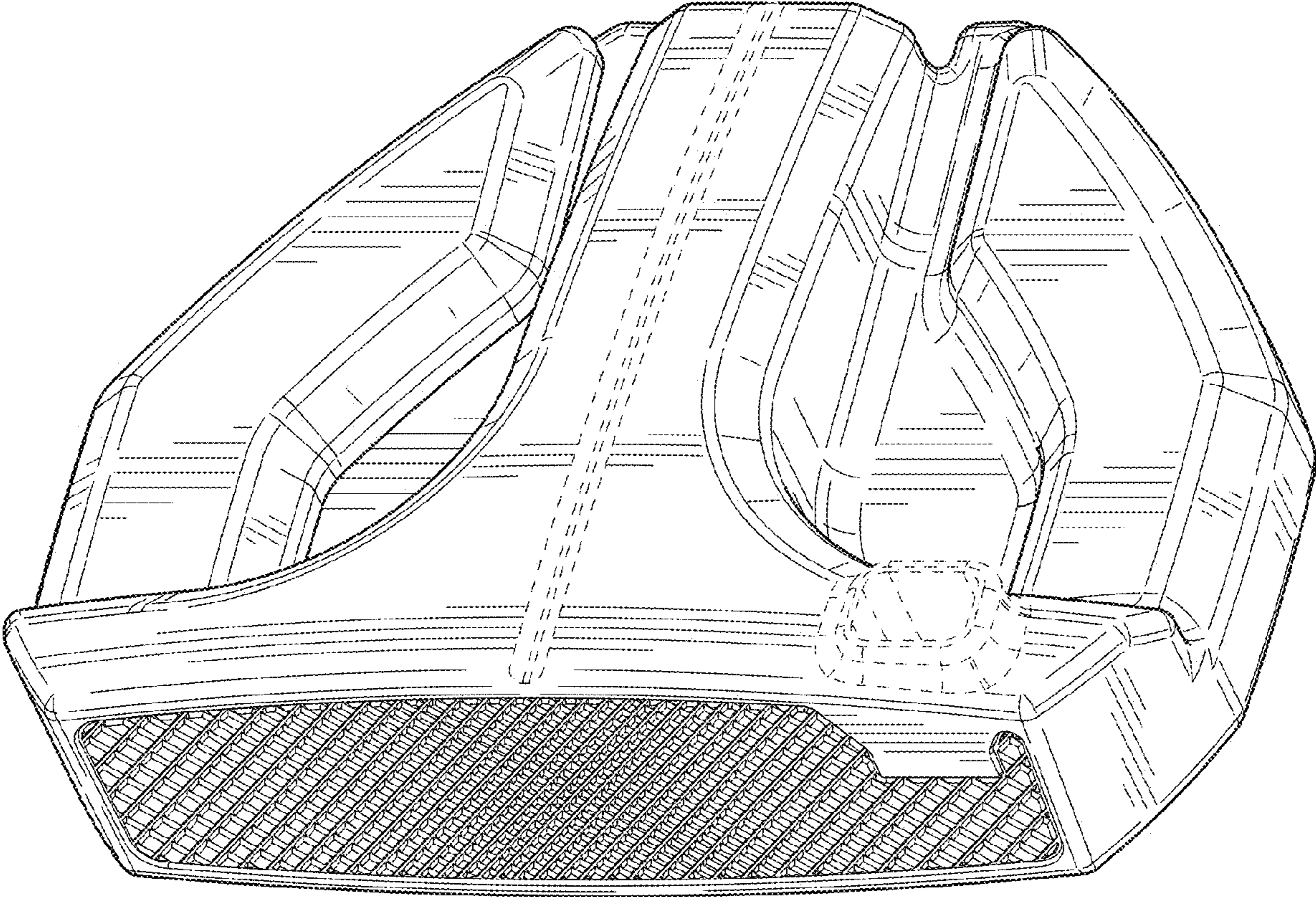


FIG. 1

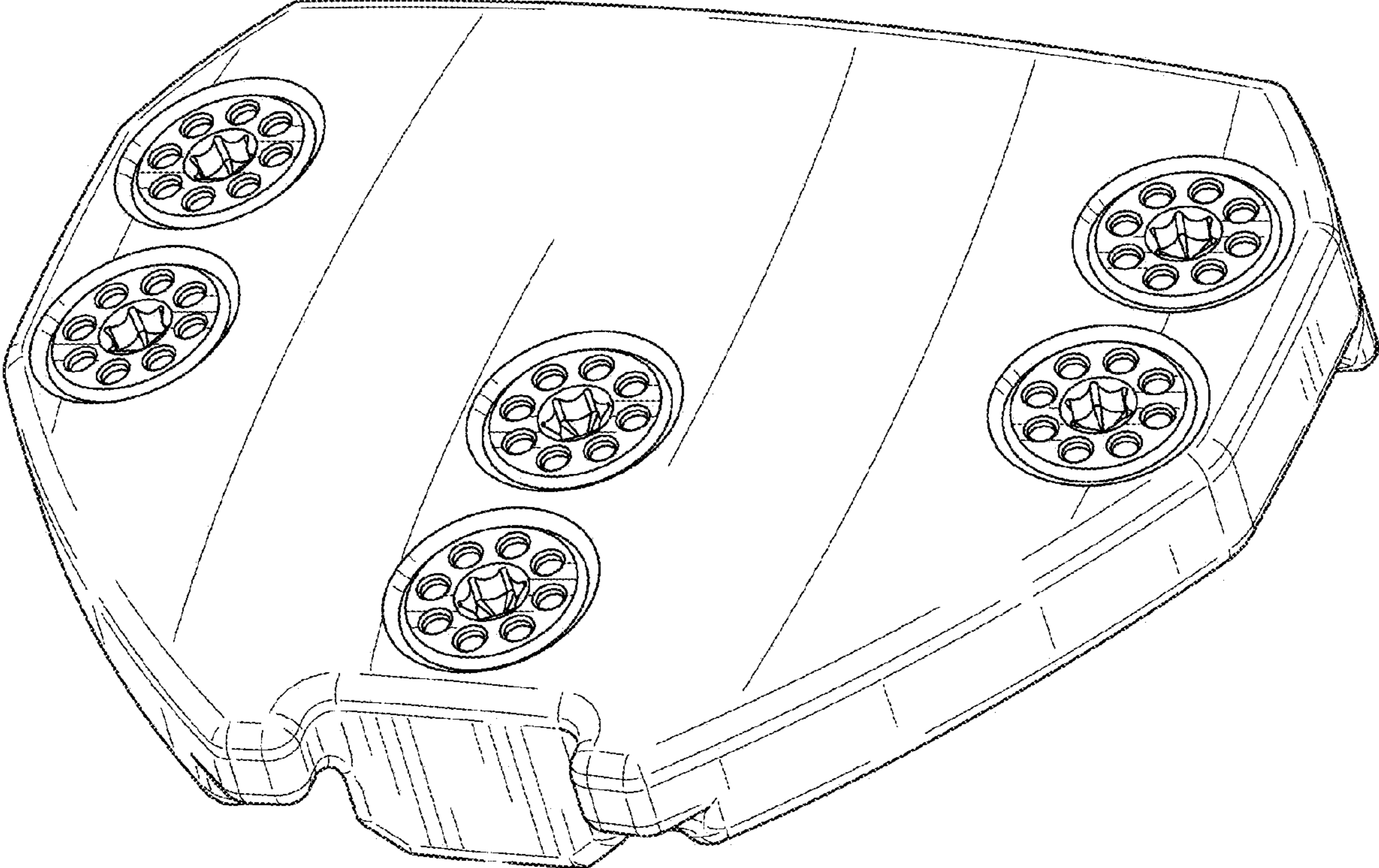


FIG. 2

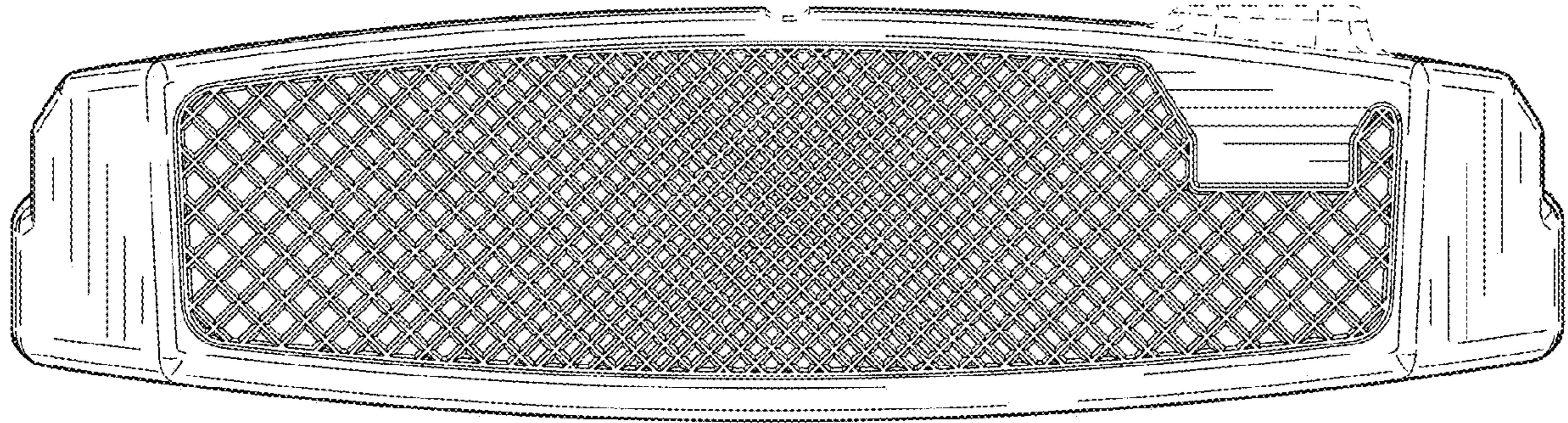


FIG. 3

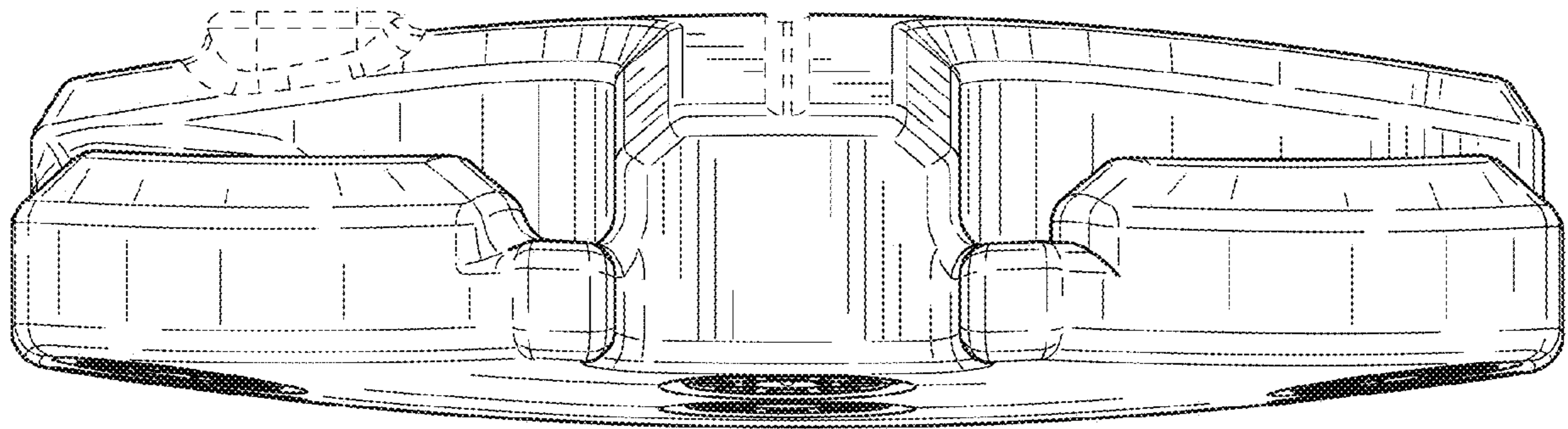


FIG. 4

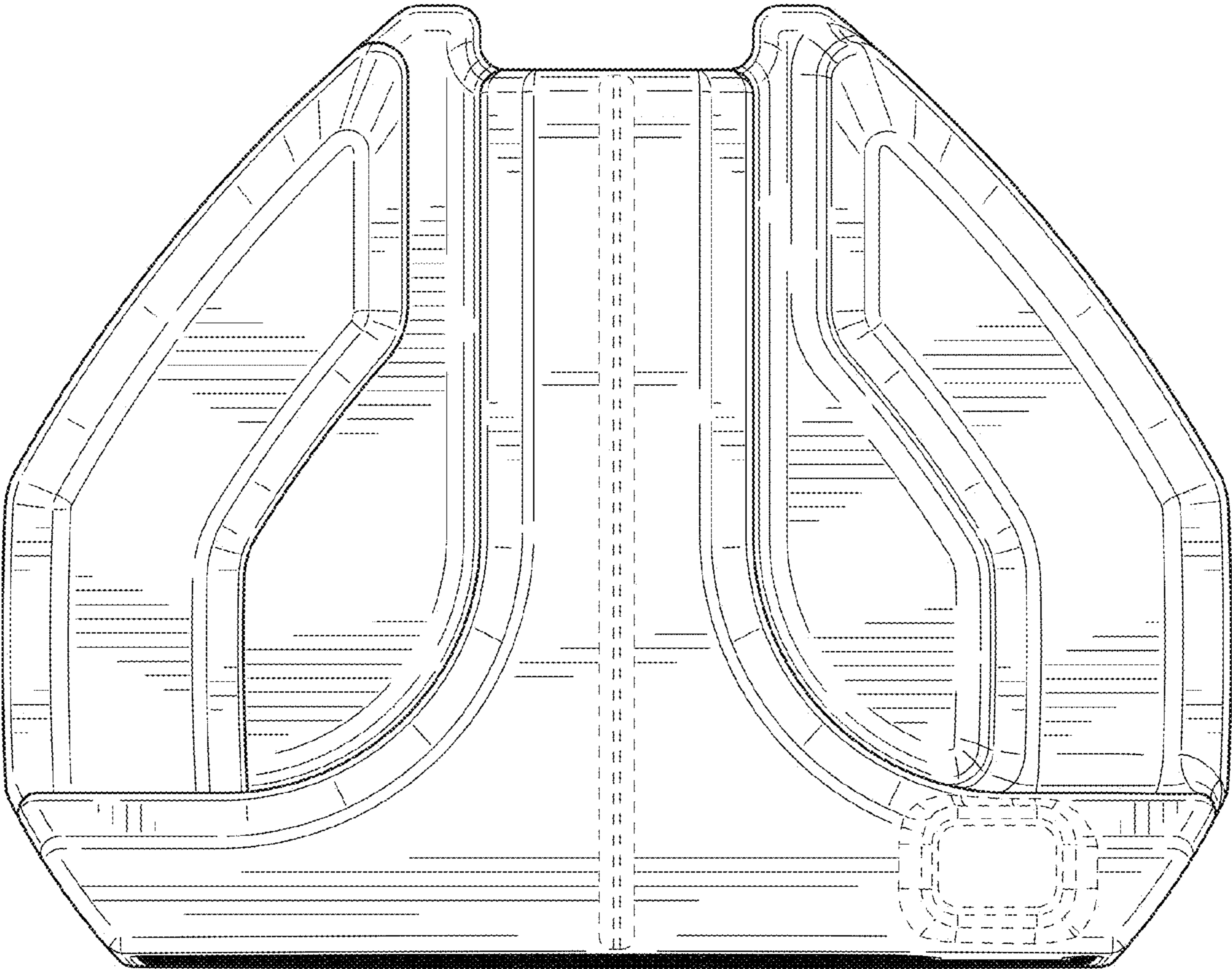


FIG. 5

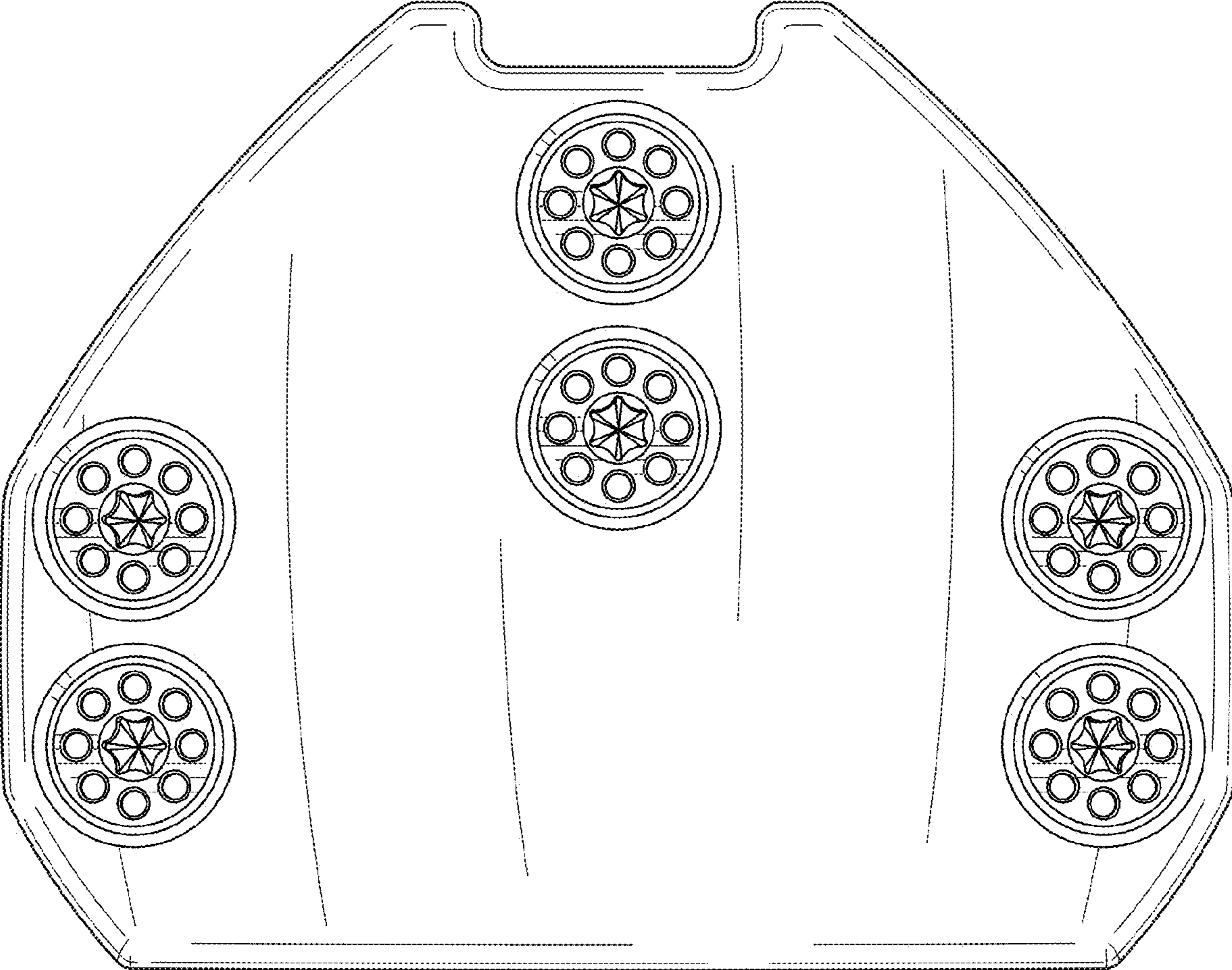


FIG. 6

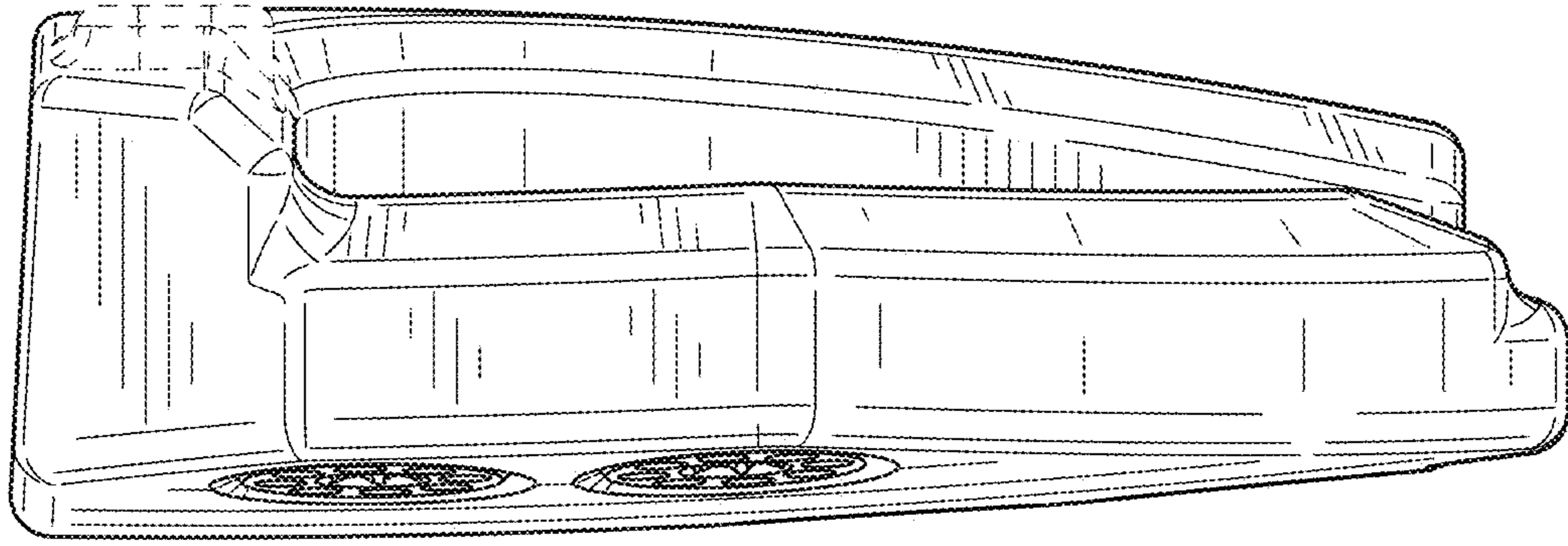


FIG. 7

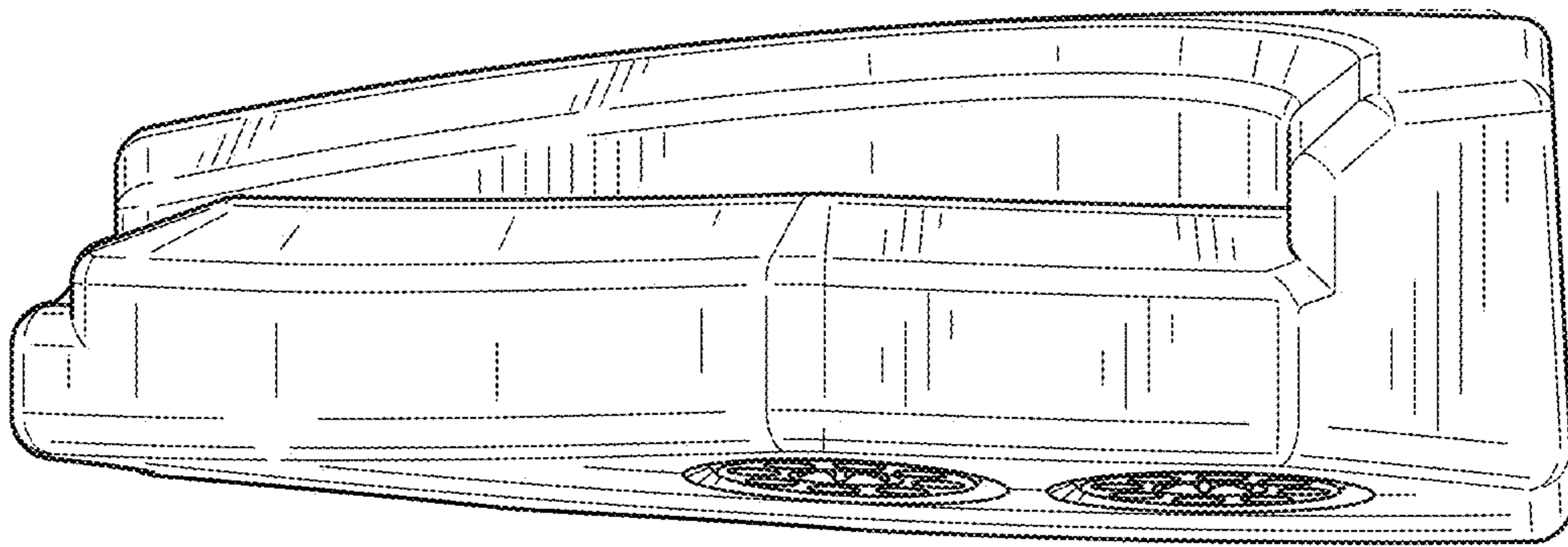


FIG. 8

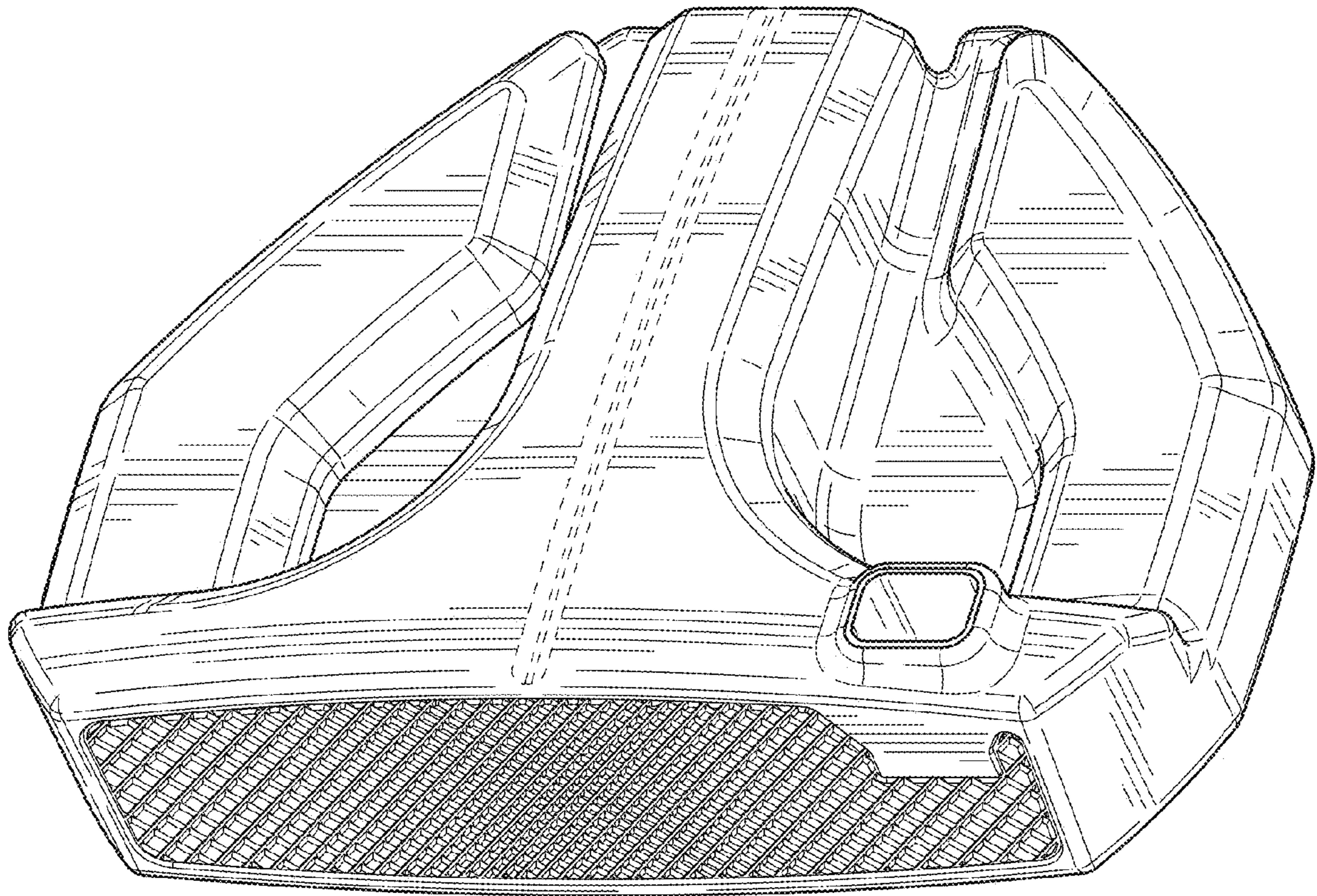


FIG. 9

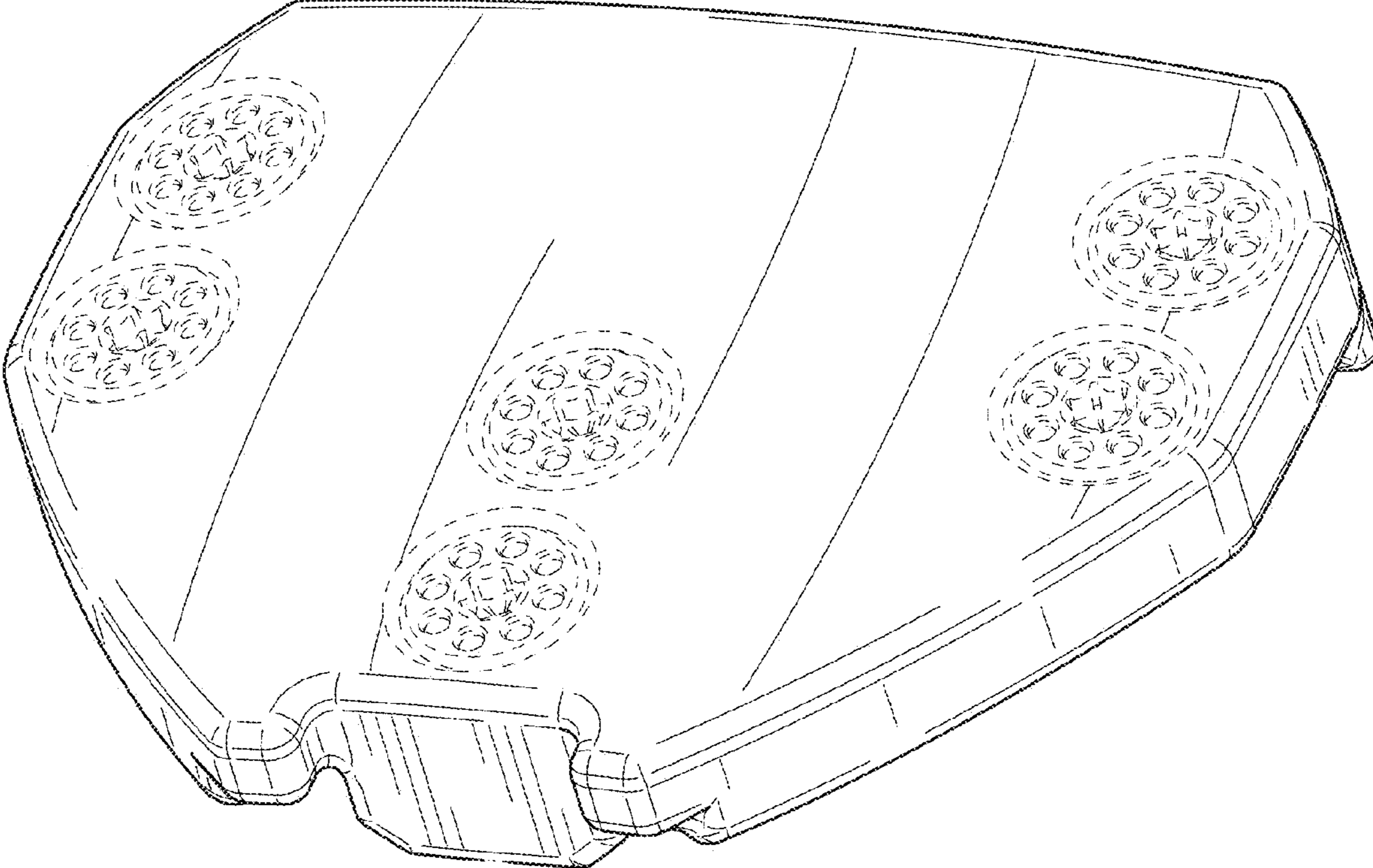


FIG. 10

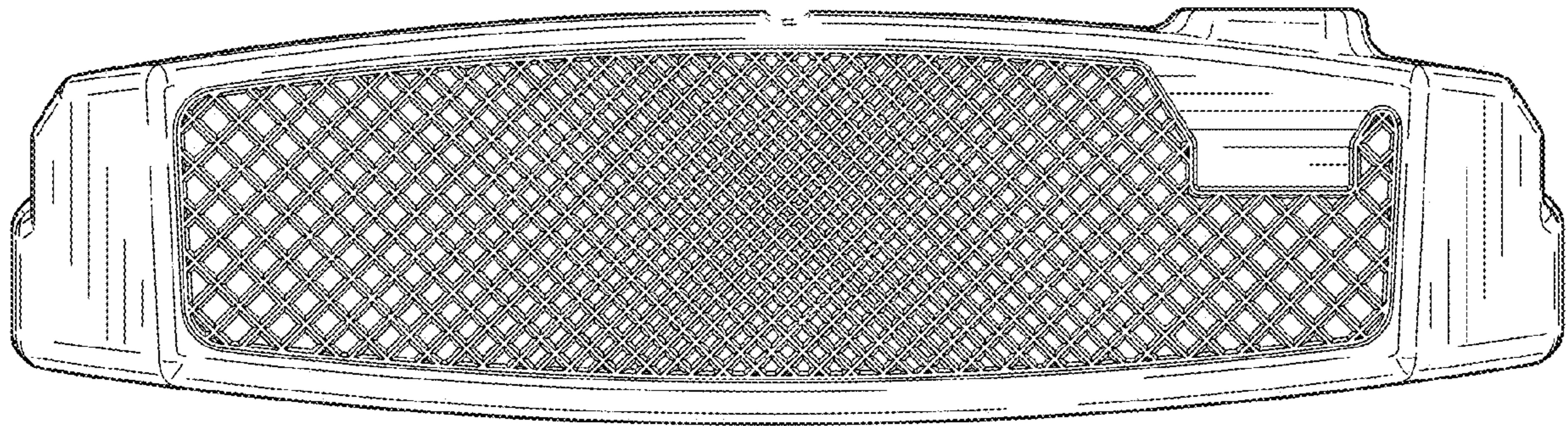


FIG. 11

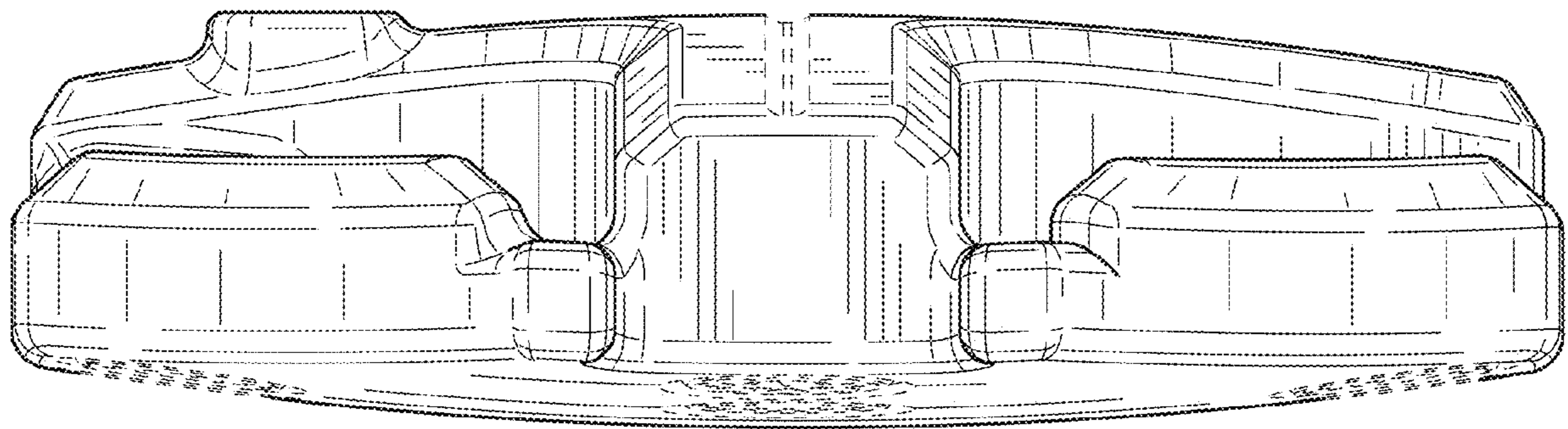


FIG. 12

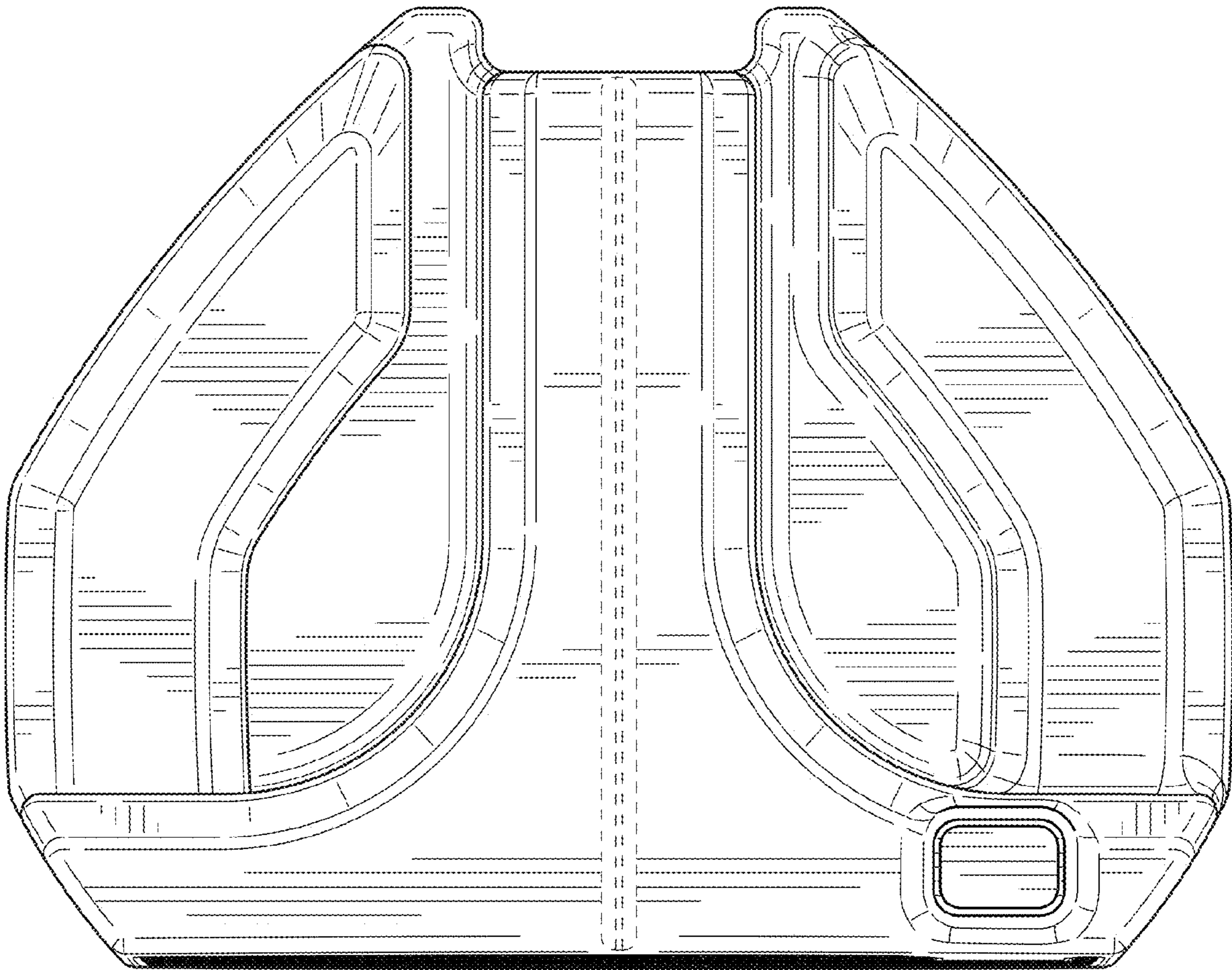


FIG. 13

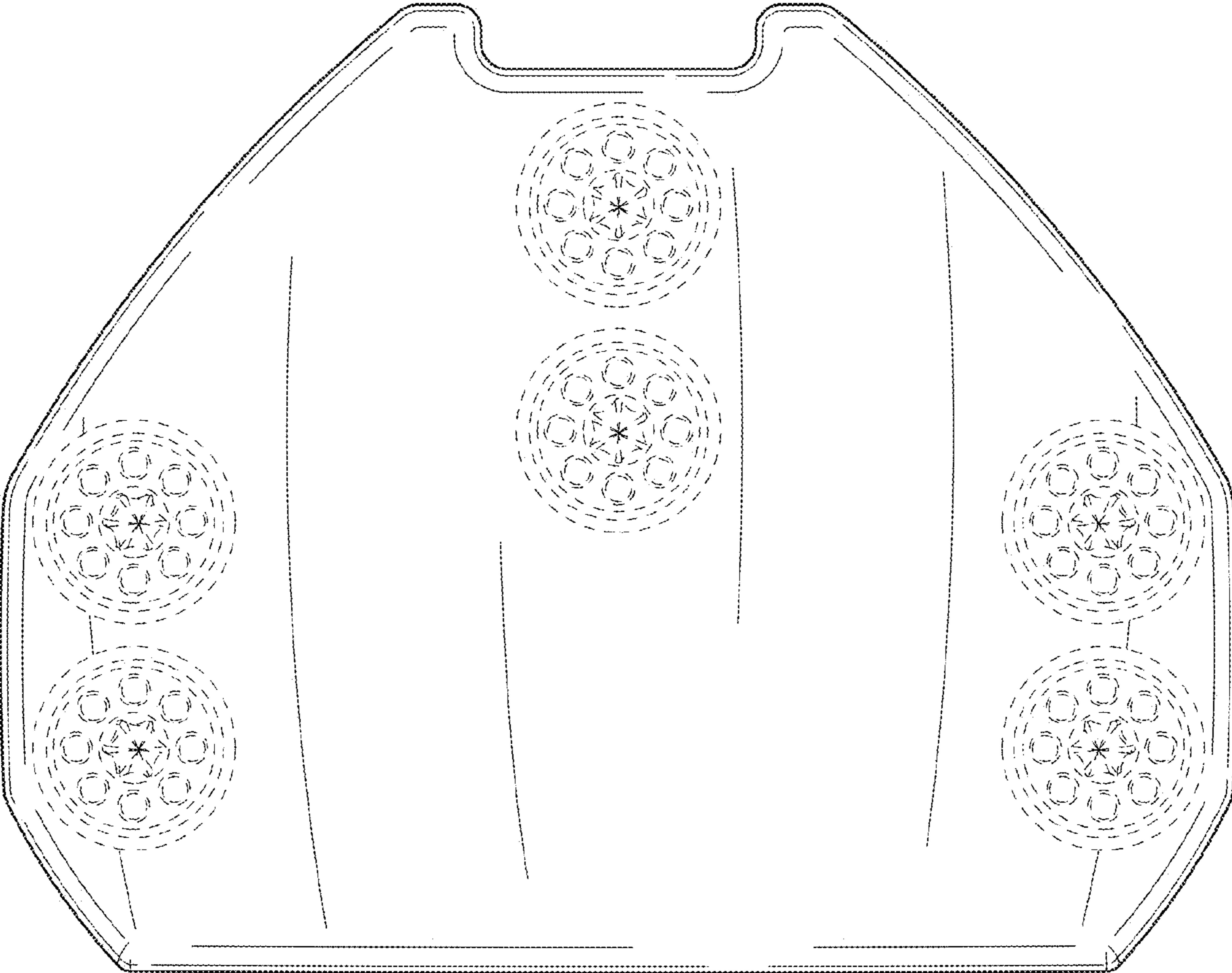


FIG. 14

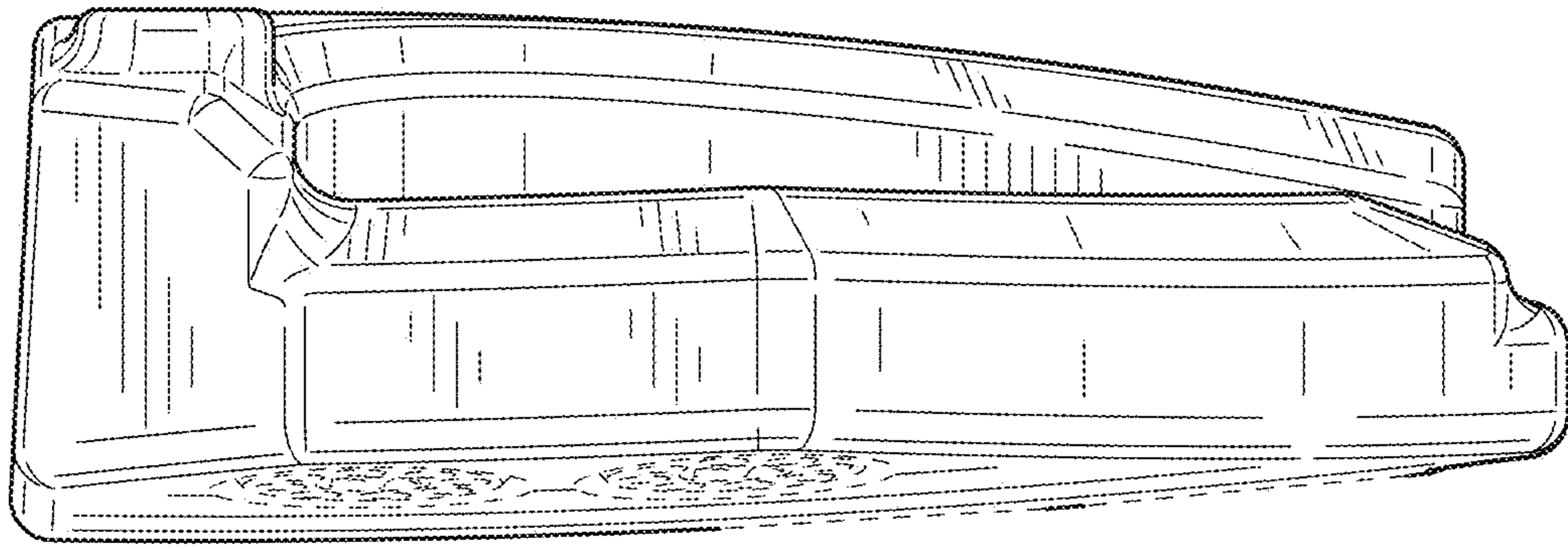


FIG. 15

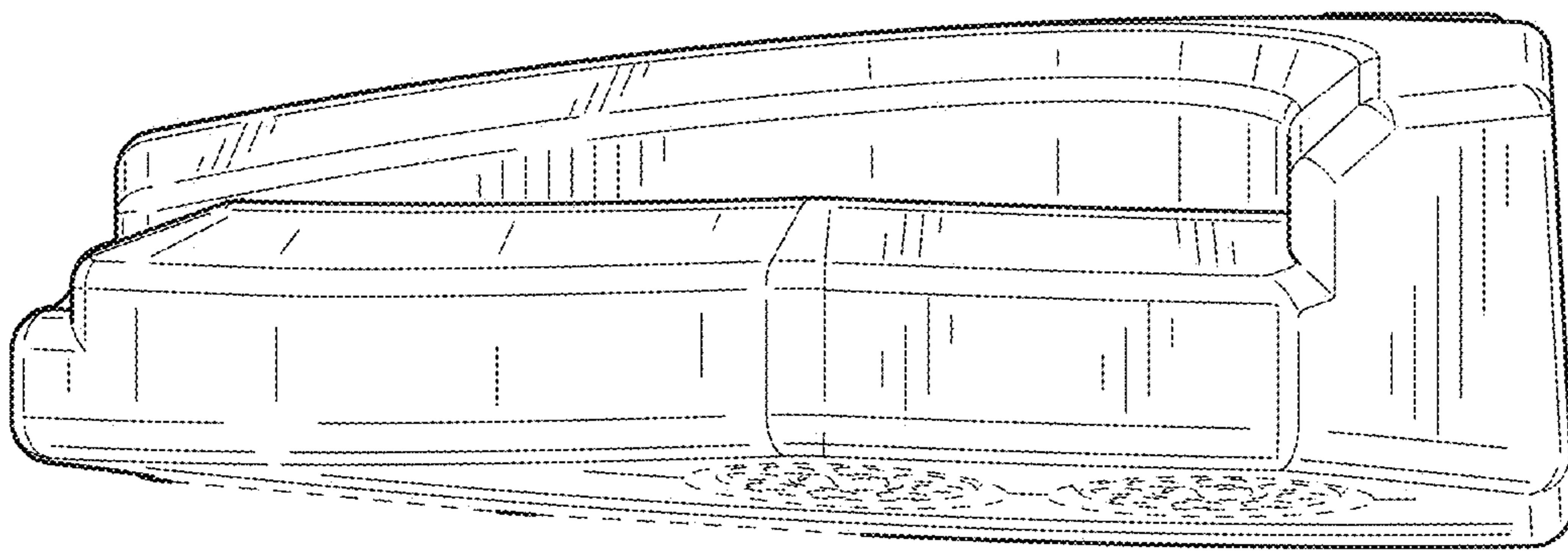


FIG. 16

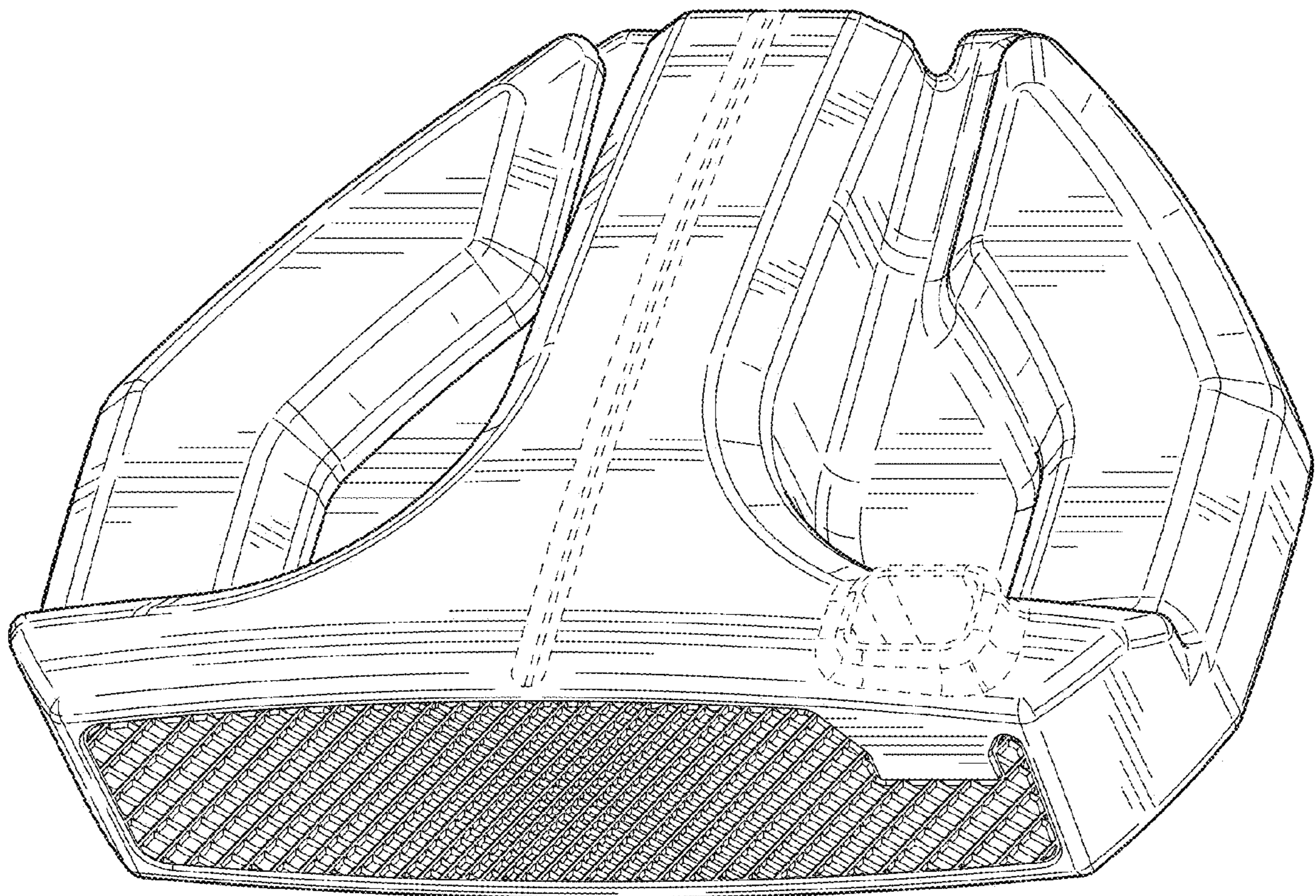


FIG. 17

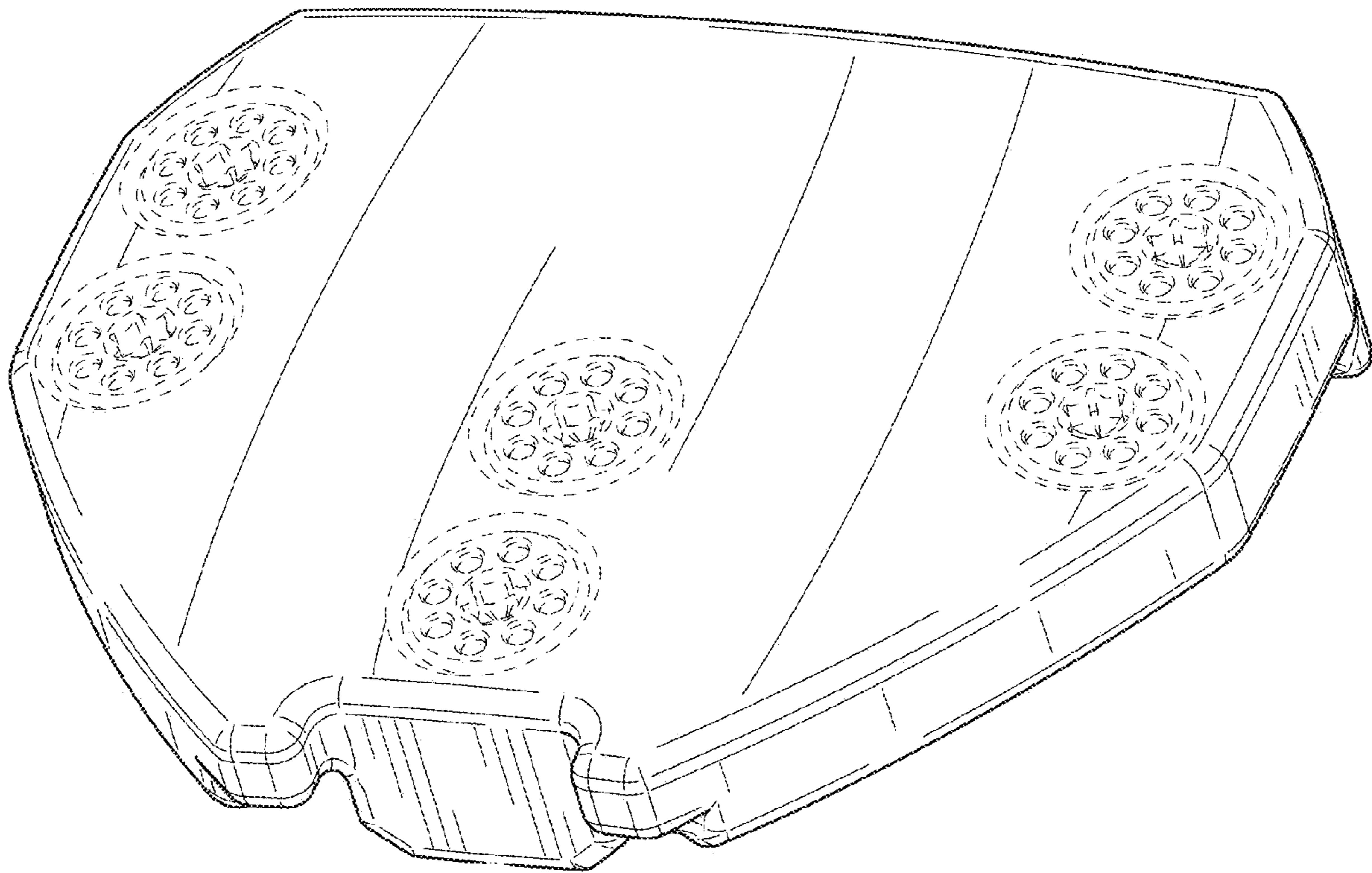


FIG. 18

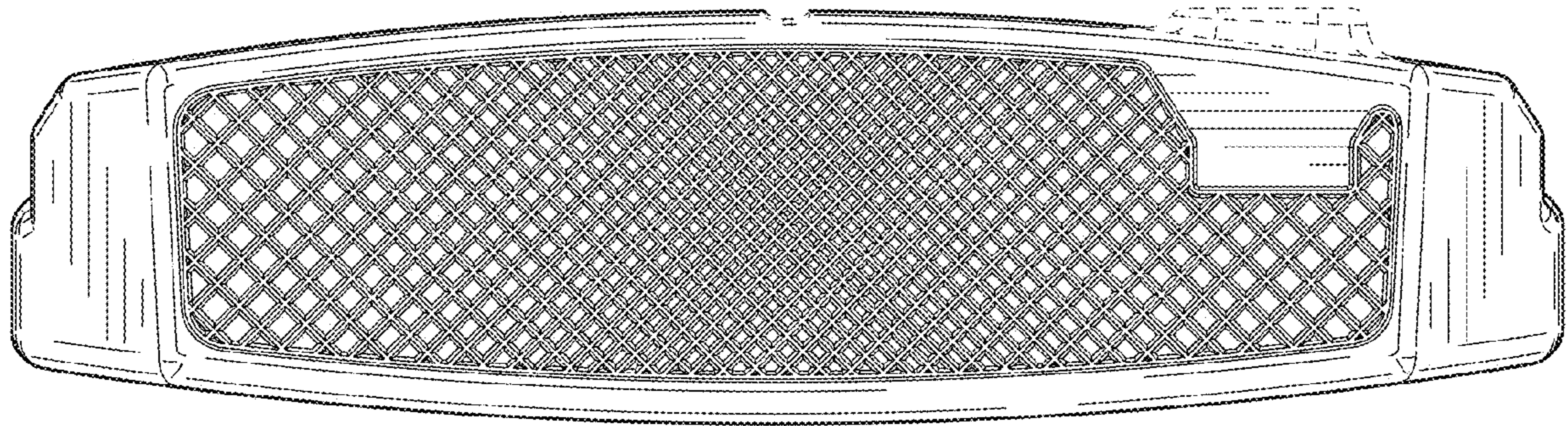


FIG. 19

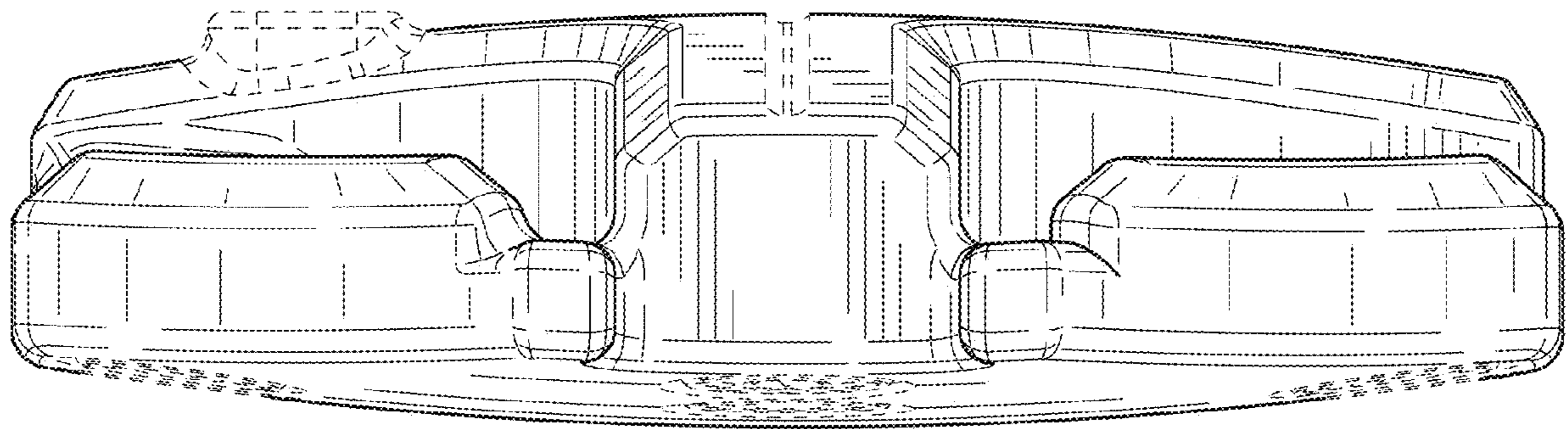


FIG. 20

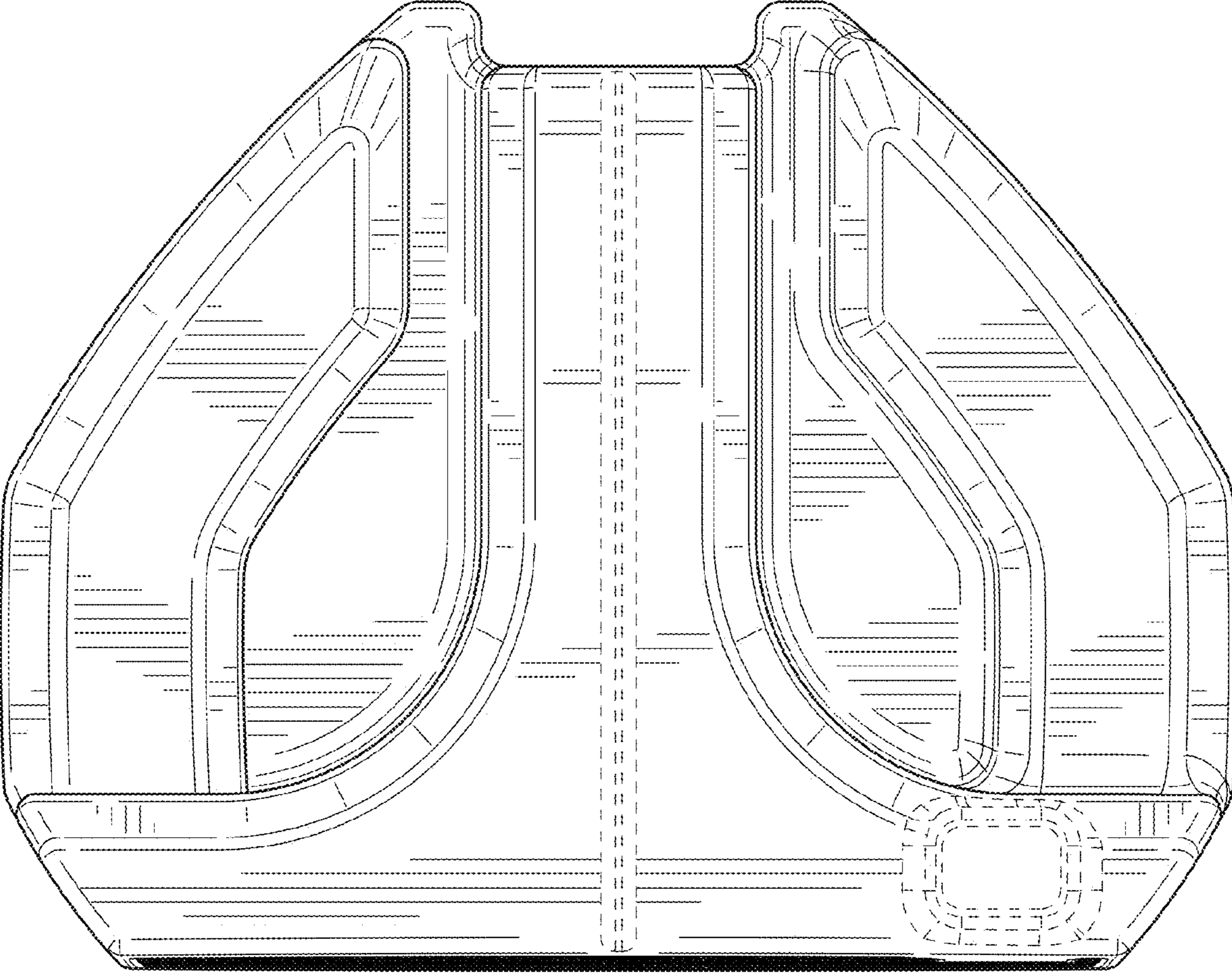


FIG. 21

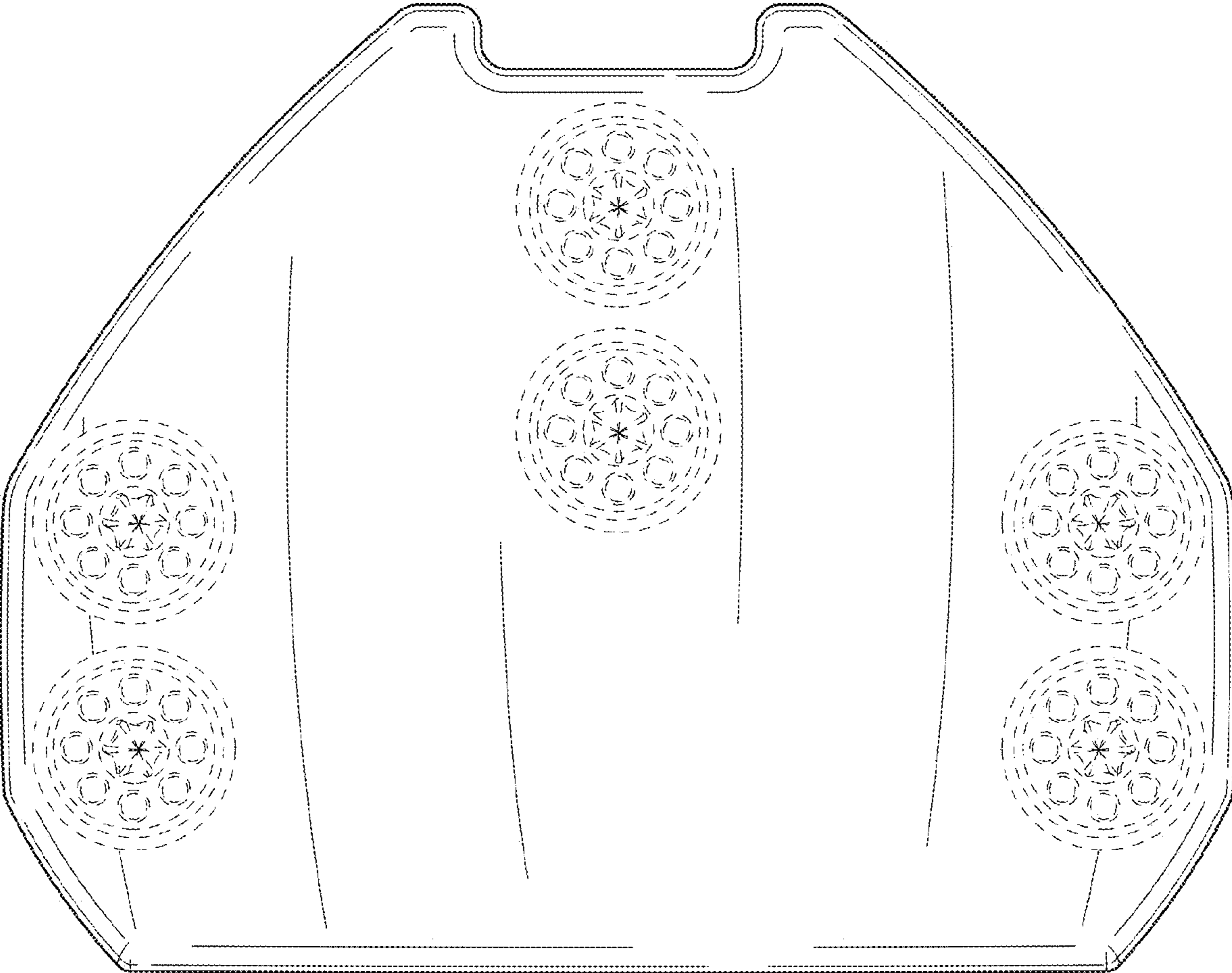


FIG. 22

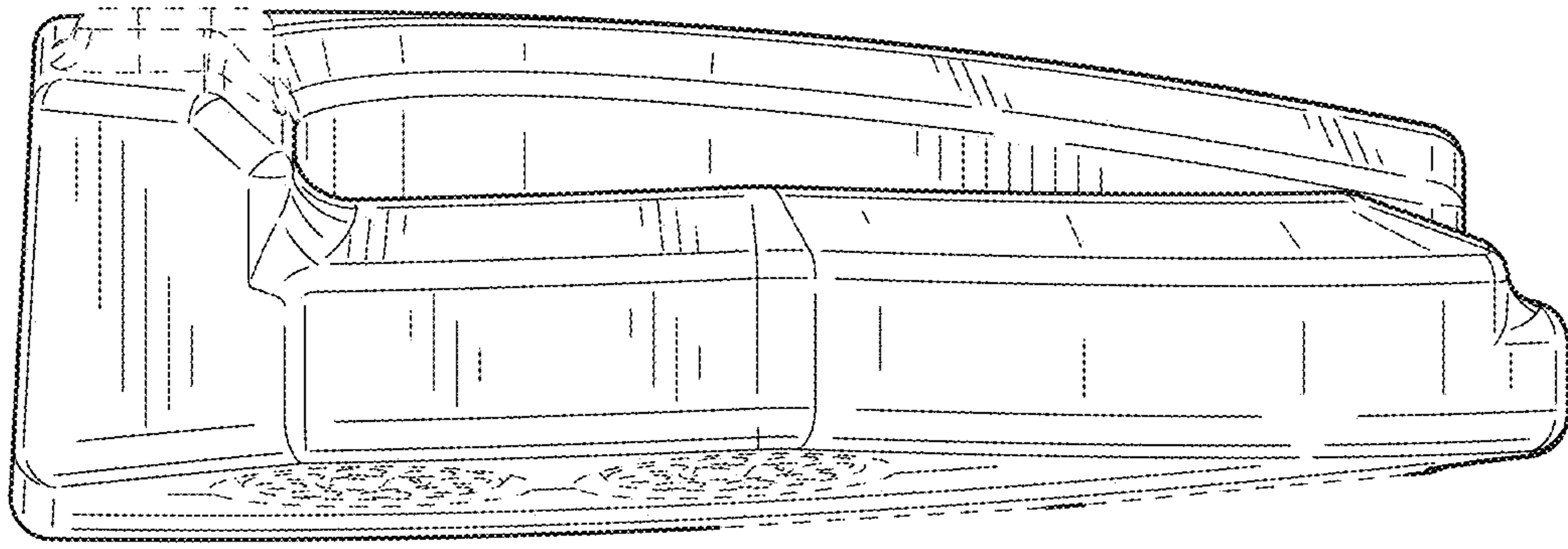


FIG. 23

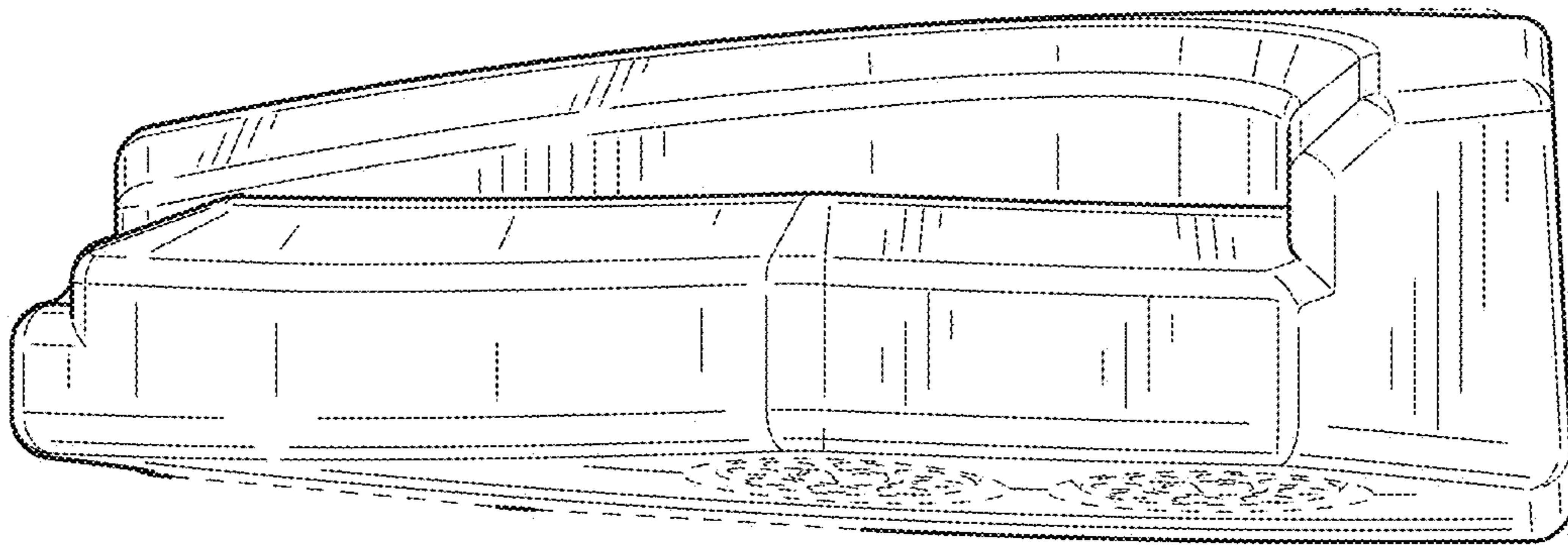


FIG. 24