



US00D909503S

(12) **United States Design Patent**
Caissy

(10) **Patent No.:** **US D909,503 S**

(45) **Date of Patent:** **** Feb. 2, 2021**

(54) **PRACTICE GOALIE**

2071/026; A63B 2102/22; A63B 2102/24;
A63F 7/0632; A63F 7/0636

See application file for complete search history.

(71) Applicant: **Caissy Inc.**, Quebec (CA)

(72) Inventor: **Laval Caissy**, Saint-Lambert-de Lauzon (CA)

(56) **References Cited**

U.S. PATENT DOCUMENTS

(73) Assignee: **CAISSY INC.**, Quebec (CA)

(**) Term: **15 Years**

(21) Appl. No.: **29/750,799**

(22) Filed: **Sep. 16, 2020**

3,765,675 A	10/1973	DiMarzio	
3,840,228 A	10/1974	Greaney	
3,856,298 A	12/1974	Frantti	
3,887,181 A *	6/1975	Samaras	A63B 63/00 473/446
4,168,062 A	9/1979	McCarthy et al.	
4,489,940 A	12/1984	Amundson	
5,246,229 A	9/1993	Carey	
5,498,000 A	3/1996	Cuneo	
D368,500 S	4/1996	Parzino	
5,509,650 A	4/1996	MacDonald	

(Continued)

Related U.S. Application Data

(62) Division of application No. 29/682,261, filed on Mar. 4, 2019.

FOREIGN PATENT DOCUMENTS

(30) **Foreign Application Priority Data**

Sep. 4, 2018 (CA) 183304

(51) **LOC (13) Cl.** **21-02**

(52) **U.S. Cl.**
USPC **D21/699**

(58) **Field of Classification Search**
USPC D21/302, 305, 306, 698, 699, 780, 781,
D21/788; D20/31; 473/422, 434, 435,
473/439, 446, 448, 454, 471, 476, 478;
273/108.22, 317.1, 317.7, 368, 398, 400,
273/402, 407, 410

CPC A63B 63/00; A63B 63/003; A63B 63/004;
A63B 63/06; A63B 2063/001; A63B
69/00; A63B 69/002; A63B 69/0024;
A63B 69/0026; A63B 69/0071; A63B
69/0097; A63B 69/34; A63B 2069/0006;
A63B 71/22; A63B 71/023; A63B

CA	1227818 A	10/1987
CA	1303644 C	6/1992

(Continued)

Primary Examiner — Catherine A Tuttle

(74) *Attorney, Agent, or Firm* — Sandberg Phoenix & von Gontard, P.C.

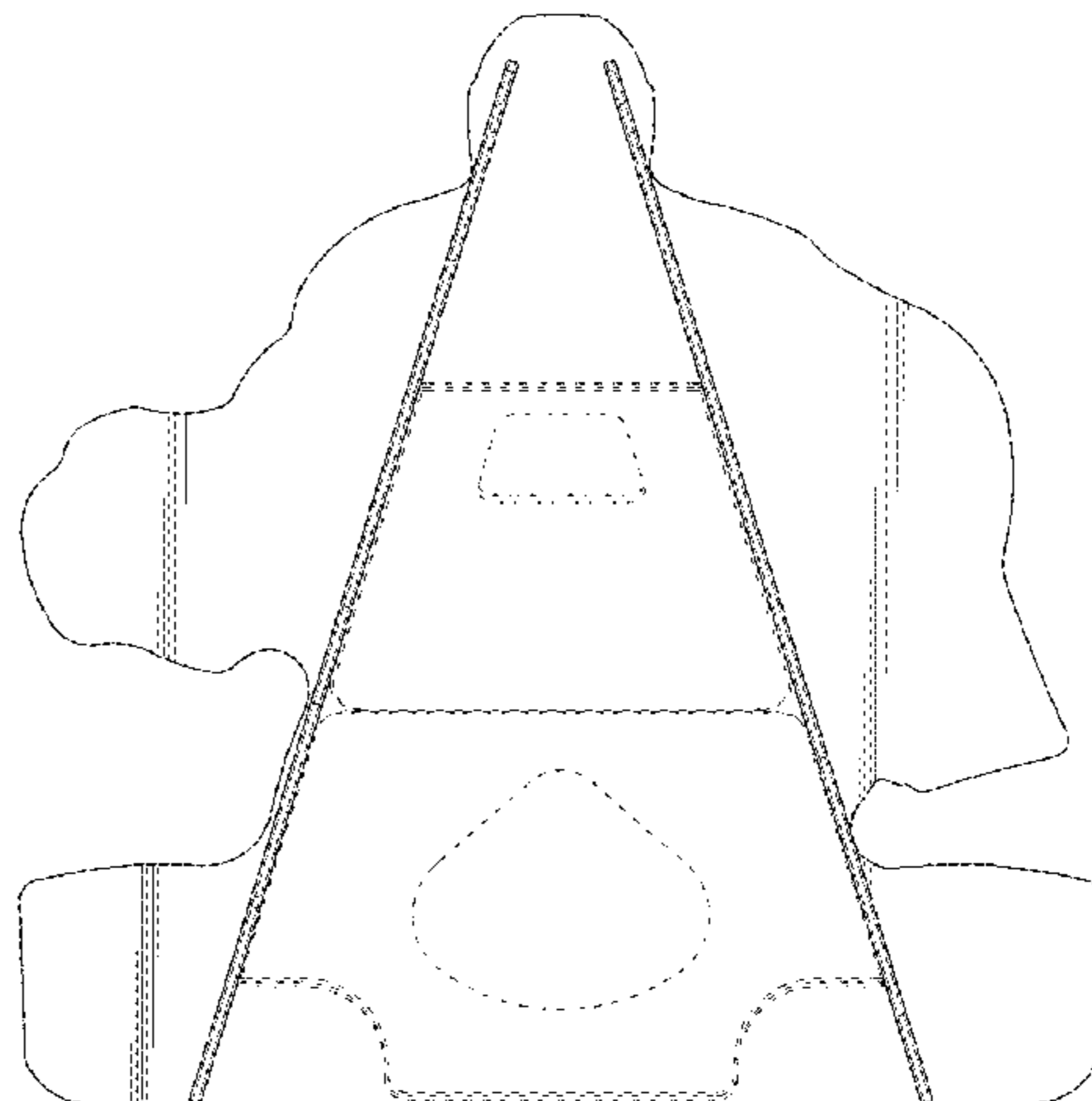
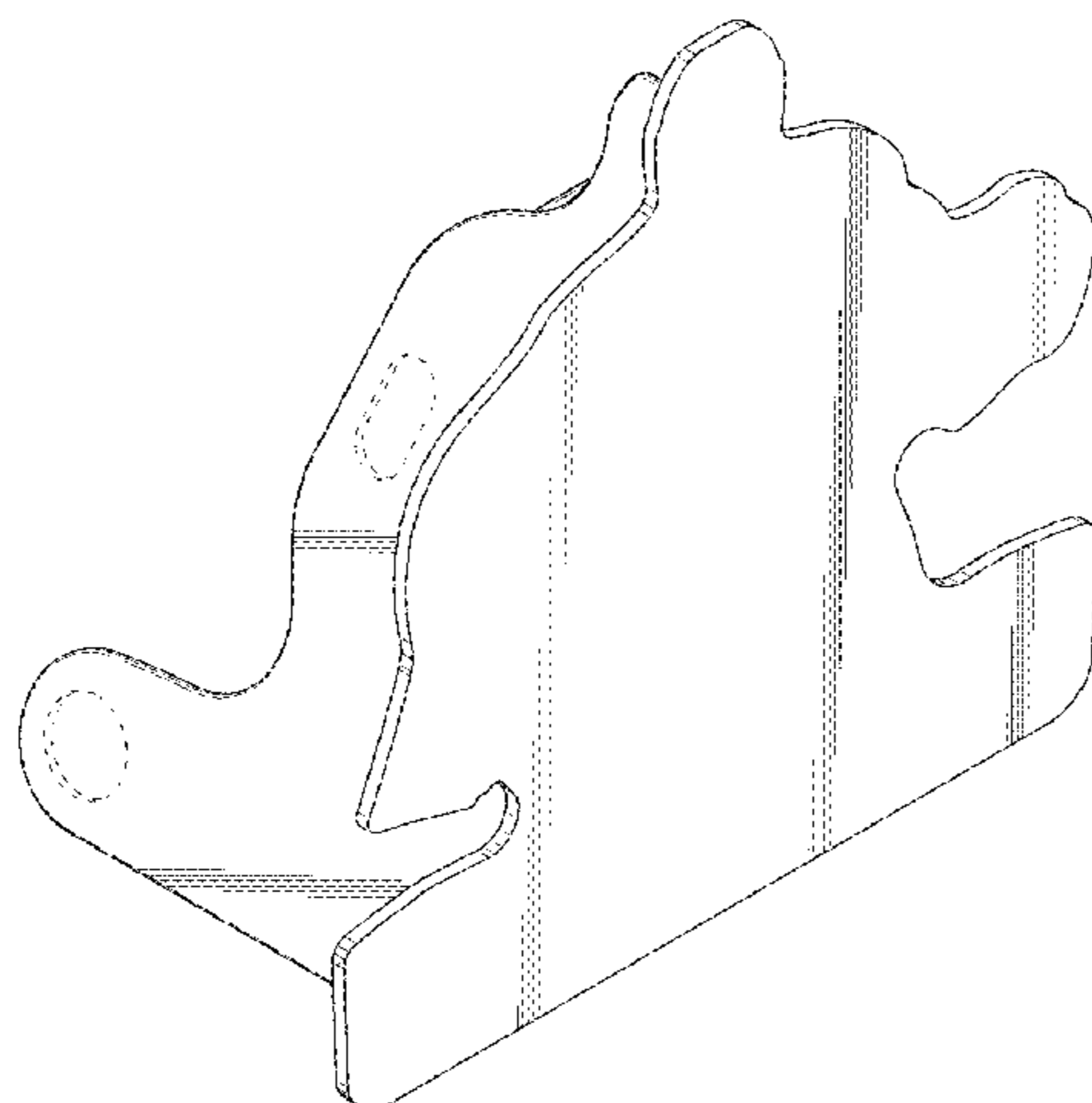
(57) **CLAIM**

The ornamental design for a practice goalie, as shown and described.

DESCRIPTION

FIG. 1 is a perspective view of a practice goalie showing my new design;
FIG. 2 is a front elevation view thereof;
FIG. 3 is a rear elevation view thereof;
FIG. 4 is a left-side elevation view thereof;
FIG. 5 is a right-side elevation view thereof;
FIG. 6 is a top plan view thereof; and,
FIG. 7 is a bottom plan view thereof.

(Continued)



The broken lines depict the portions of the practice goalie that form no part of the claimed design.

1 Claim, 6 Drawing Sheets

(56)

References Cited

U.S. PATENT DOCUMENTS

5,524,900 A * 6/1996 Allen A63B 69/0097
273/396
5,582,404 A 12/1996 Parzino
D387,110 S 12/1997 Thiel et al.
D387,111 S 12/1997 Delegarde
5,772,538 A 6/1998 Szykiel et al.
5,776,019 A 7/1998 Kroenenberger
D405,485 S 2/1999 Mathison
D411,267 S 6/1999 Oudemool et al.
D414,815 S 10/1999 McDonald
6,012,994 A 1/2000 Béluse

D495,385 S 8/2004 Winger
6,796,914 B2 9/2004 Berdugo et al.
6,926,624 B1 8/2005 Witzke
D516,629 S 3/2006 McDonald
8,128,518 B1 3/2012 Kudla et al.
9,199,148 B2 12/2015 Krohl et al.
D755,912 S 5/2016 McMahan, Jr.
9,427,645 B1 8/2016 Salscheider
9,616,308 B2 4/2017 Gilman et al.
D861,088 S 9/2019 Klanow et al.
2004/0259667 A1 12/2004 Berdugo et al.
2007/0265115 A1 11/2007 Farquhar
2016/0082338 A1 3/2016 Klett

FOREIGN PATENT DOCUMENTS

CA 2205478 A1 * 11/1998 A63B 71/022
CA 2360133 A1 5/2002
CA 2540942 A1 9/2007
CA 2889340 C 9/2016
CA 2951149 A1 7/2017
DE 3832613 A1 * 3/1990 A63B 63/00

* cited by examiner

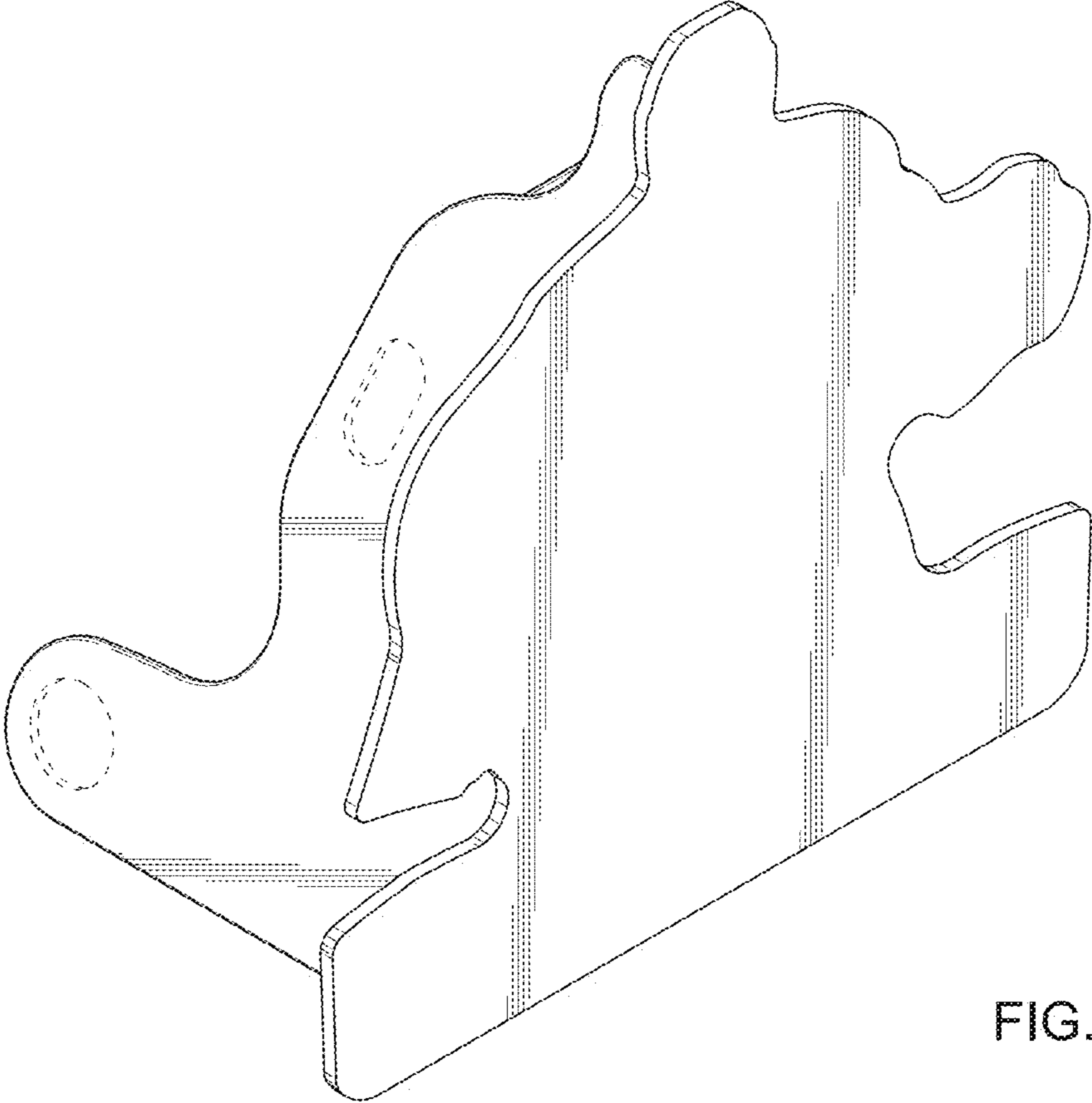


FIG. 1

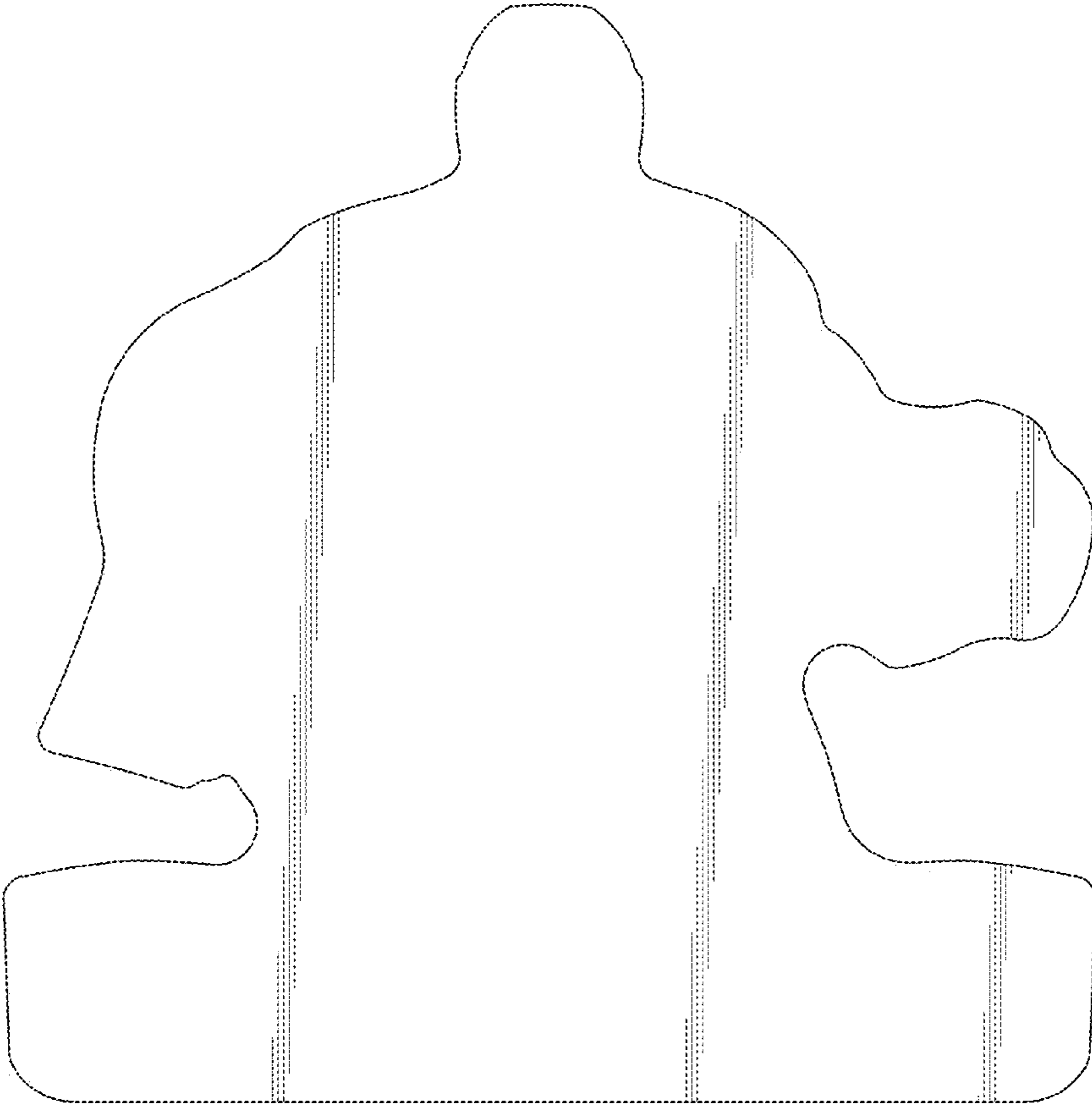


FIG. 2

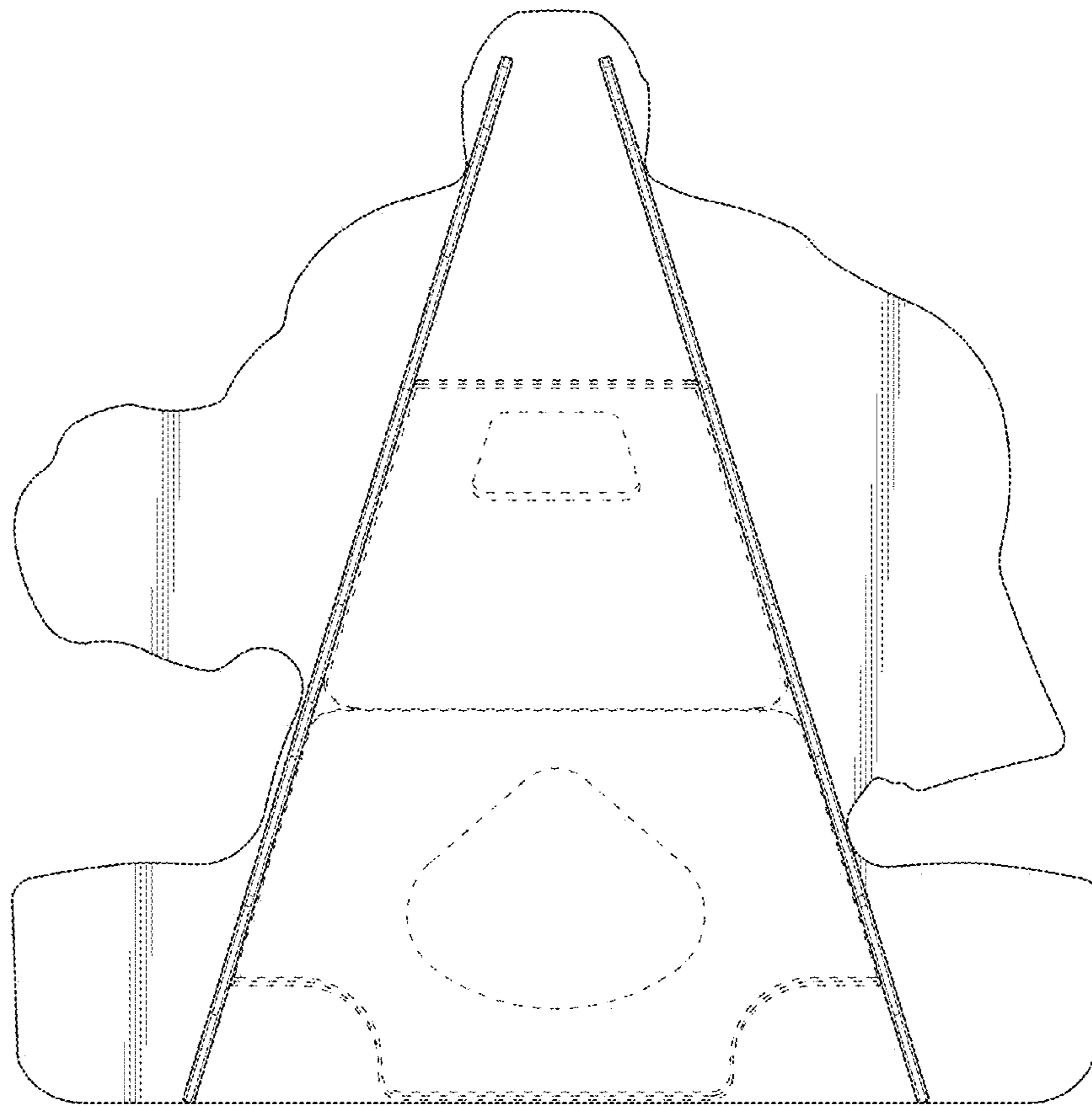


FIG. 3

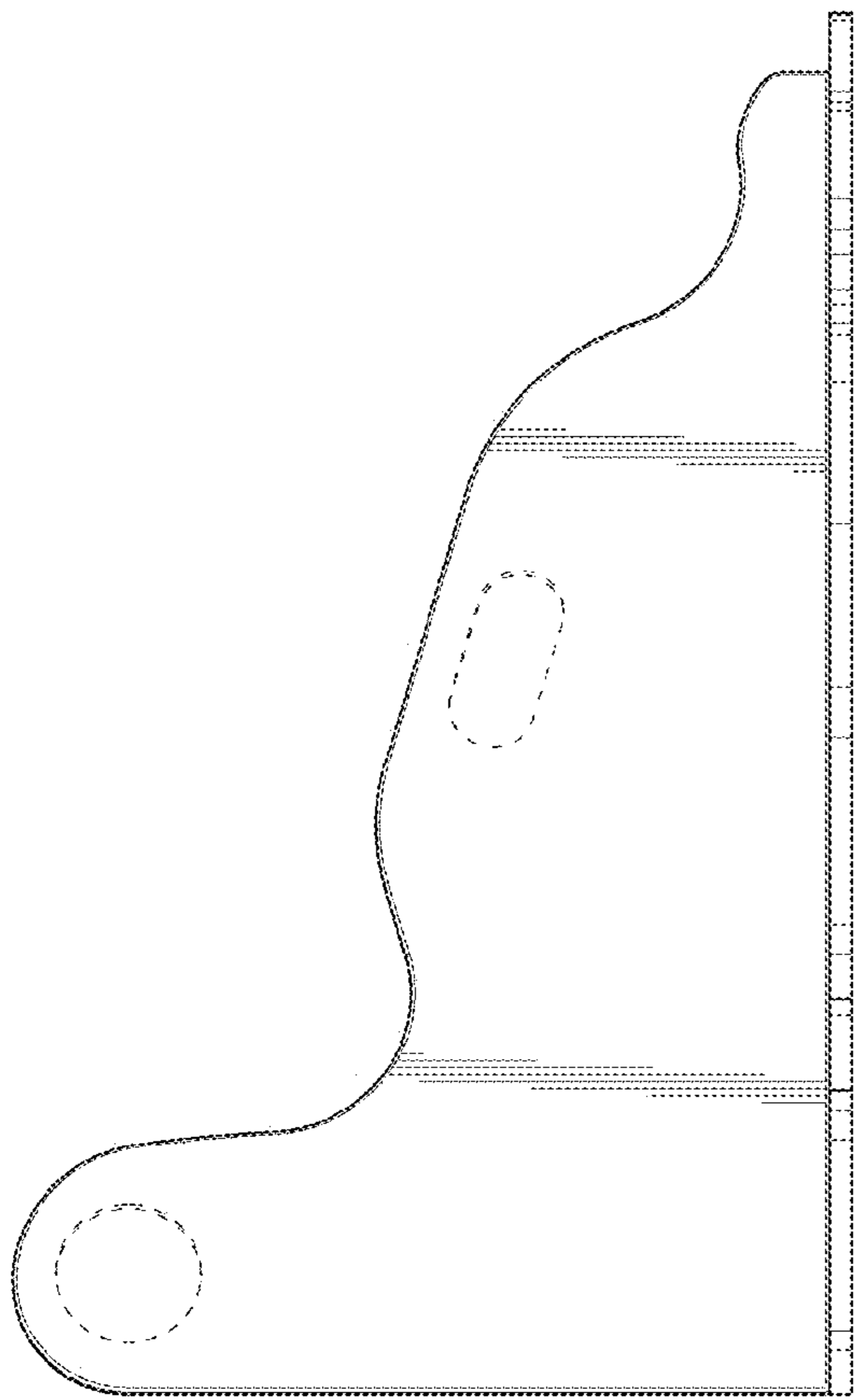


FIG. 4

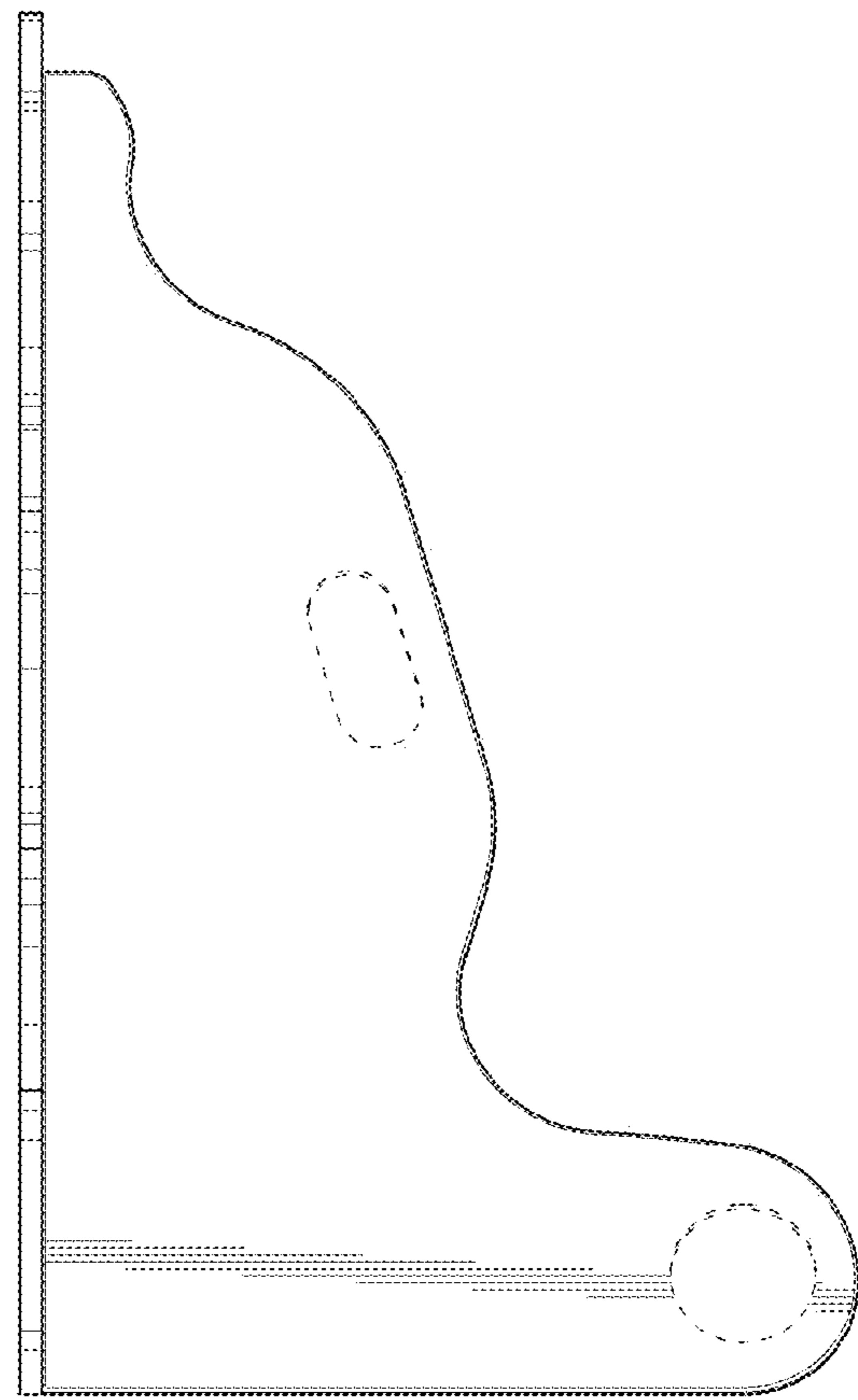


FIG. 5

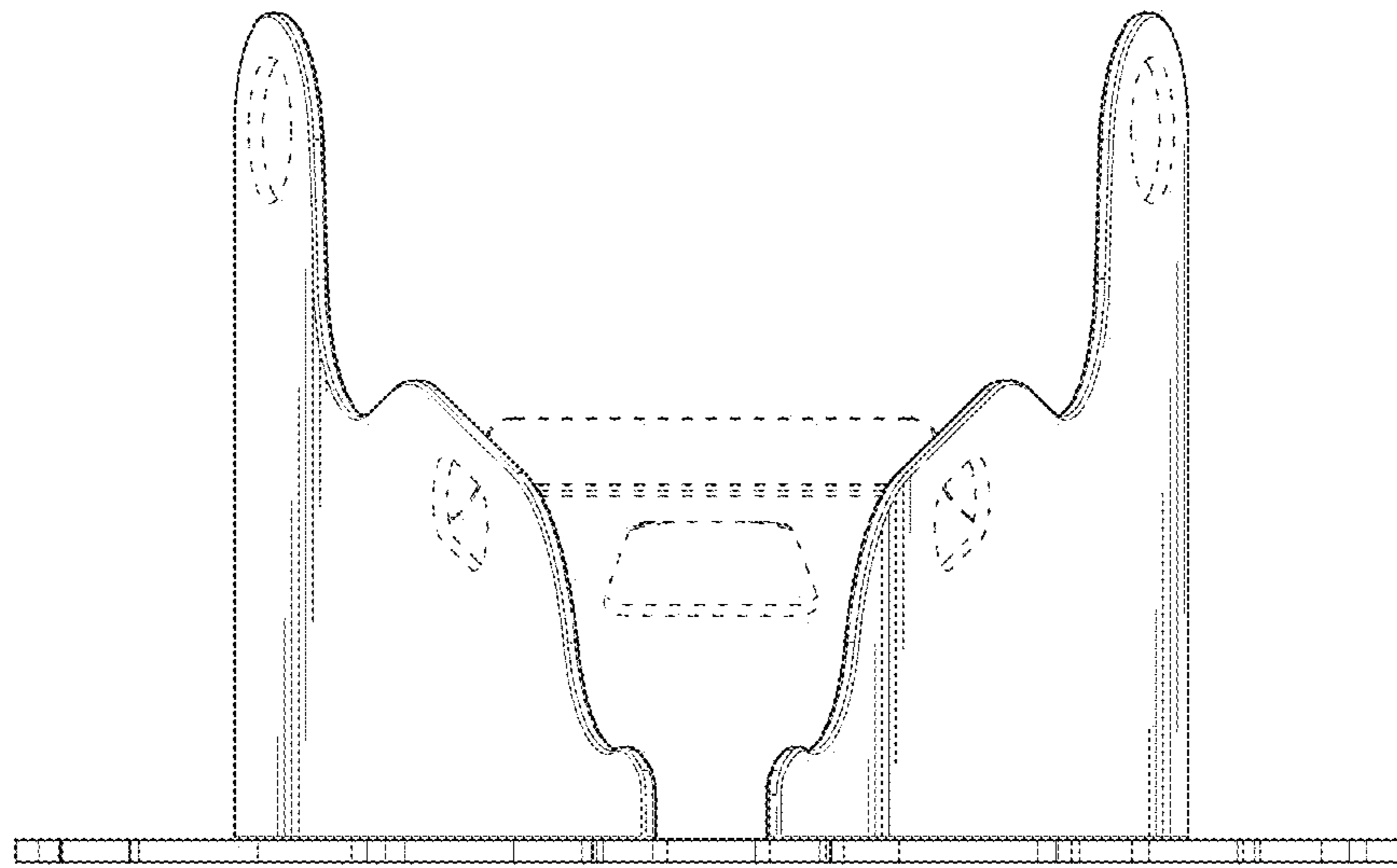


FIG. 6

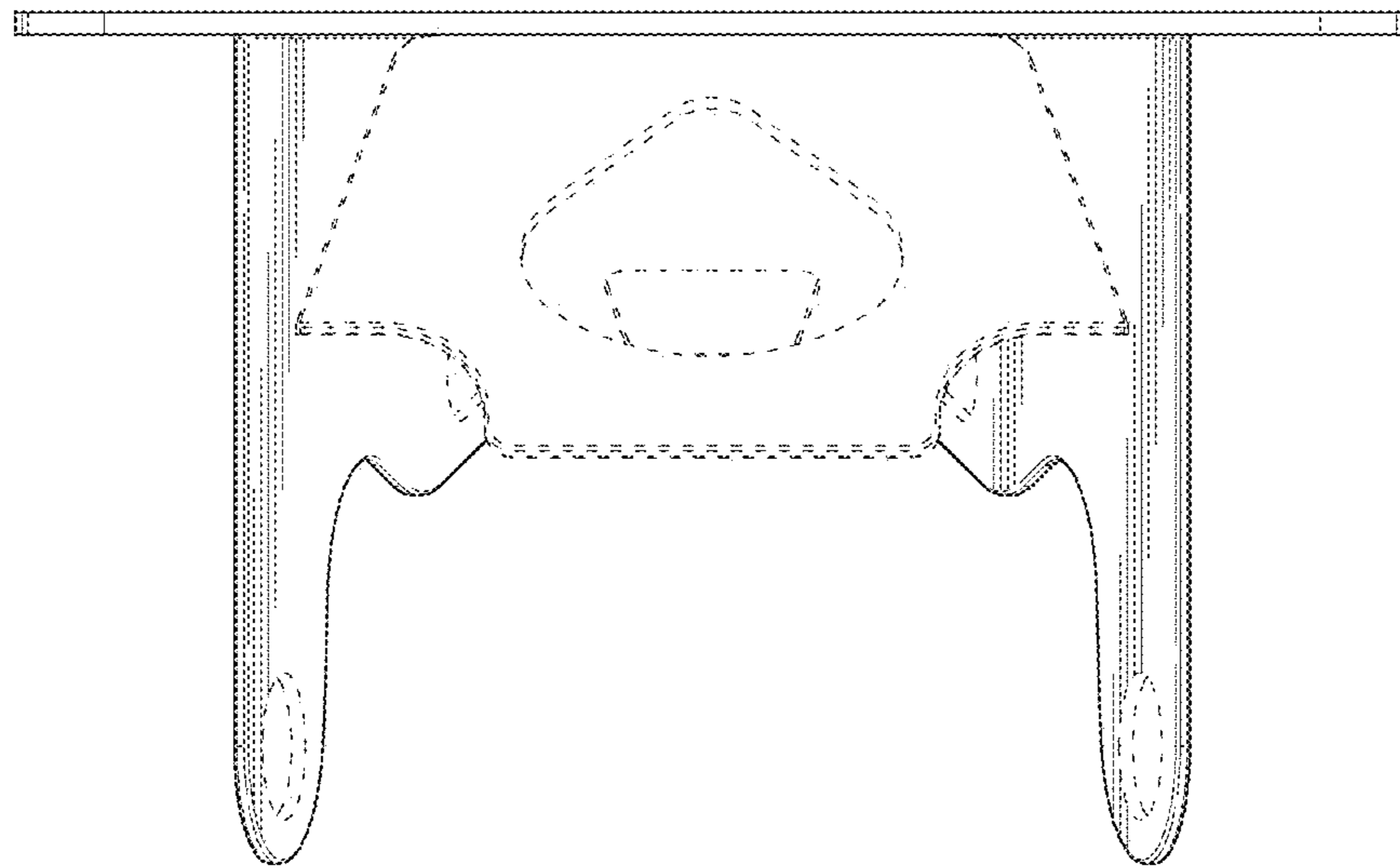


FIG. 7