

US00D909500S

(12) **United States Design Patent**
Madonia

(10) **Patent No.:** **US D909,500 S**

(45) **Date of Patent:** **** Feb. 2, 2021**

(54) **EXERCISE WEIGHT**

(71) Applicant: **Vincent J. Madonia**, Essex Fells, NJ
(US)

(72) Inventor: **Vincent J. Madonia**, Essex Fells, NJ
(US)

(73) Assignee: **Vincent J. Madonia**, Essex Fells, NJ
(US)

(**) Term: **15 Years**

(21) Appl. No.: **29/651,907**

(22) Filed: **Jul. 22, 2019**

(51) **LOC (13) Cl.** **21-02**

(52) **U.S. Cl.**
USPC **D21/682**

(58) **Field of Classification Search**
USPC 482/93, 55, 51, 44, 110, 109, 108, 107,
482/106; D9/532; D8/75; D30/160;
D23/304; D21/682, 684, 686, 692, 695,
D21/681, 680, 662; D11/81
CPC . A63B 21/072; A63B 21/075; A63B 21/4035;
A63B 21/0726; A63B 21/0728; A63B
21/0004; A63B 21/4043; A63B 21/00065
See application file for complete search history.

(56) **References Cited**

U.S. PATENT DOCUMENTS

D395,687 S *	6/1998	Marney	D21/682
D398,676 S *	9/1998	Marney	D21/681
D744,051 S *	11/2015	Anderson	D21/682
D752,159 S *	3/2016	Anderson	D21/682
D774,605 S *	12/2016	Summers	D21/680
D796,592 S *	9/2017	Towley	D21/682
D844,718 S *	4/2019	Buikema	D21/682
D851,712 S *	6/2019	Jones	D21/680
D878,496 S *	3/2020	Hoppe	D21/680
2014/0080683 A1 *	3/2014	Capobianco	A63B 21/072 482/93
2014/0274598 A1 *	9/2014	Anderson	A63B 21/06 482/108
2018/0311525 A1 *	11/2018	Collier	A63B 21/0728

* cited by examiner

Primary Examiner — Ryan Harvey

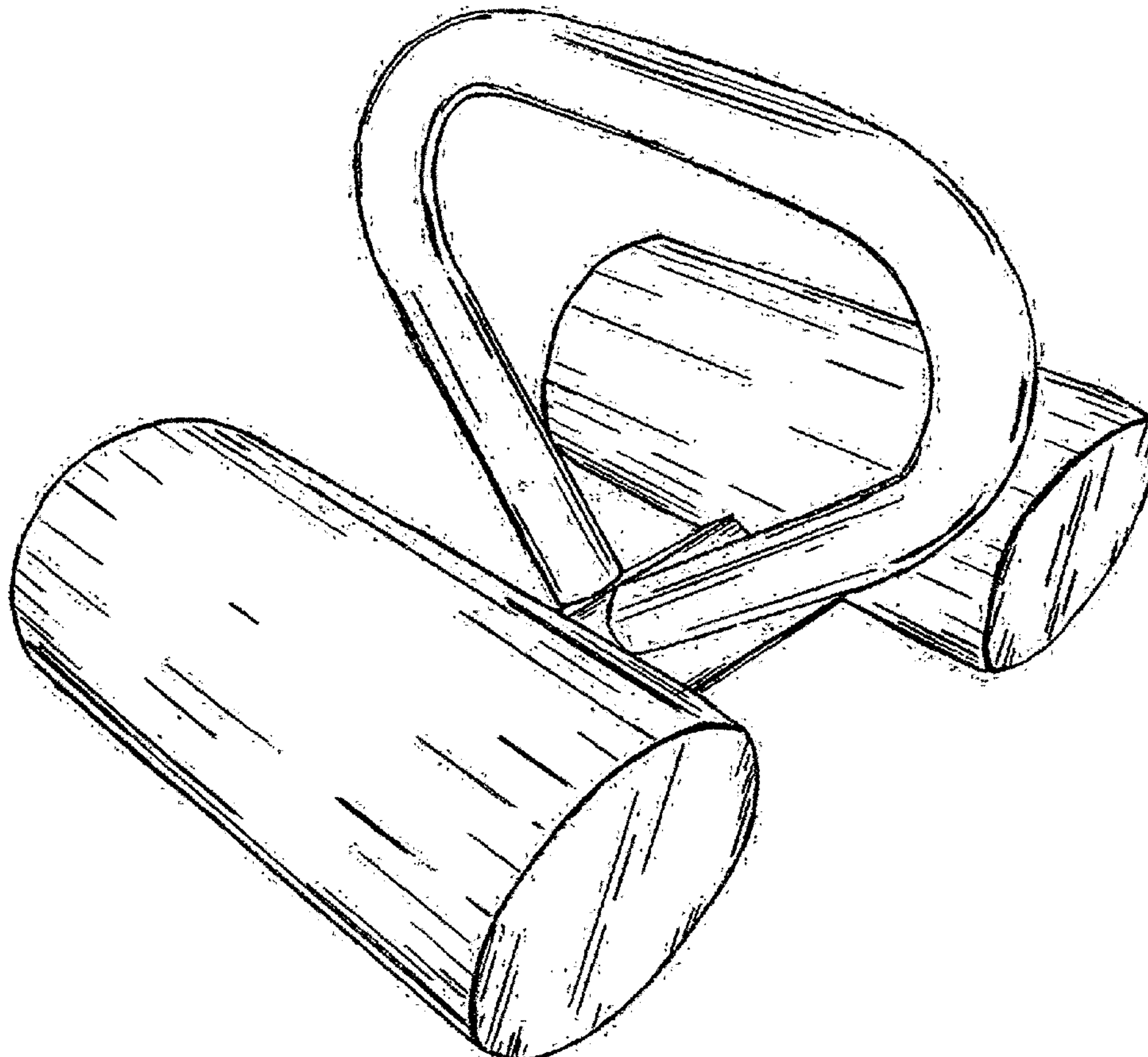
(57) **CLAIM**

I claim the ornamental design for an exercise weight, as shown and described.

DESCRIPTION

FIG. 1 is a perspective view of the present design.
FIG. 2 is a bottom view of the present design.
FIG. 3 is a side view of the present design; and,
FIG. 4 is a top view of the present design.

1 Claim, 4 Drawing Sheets



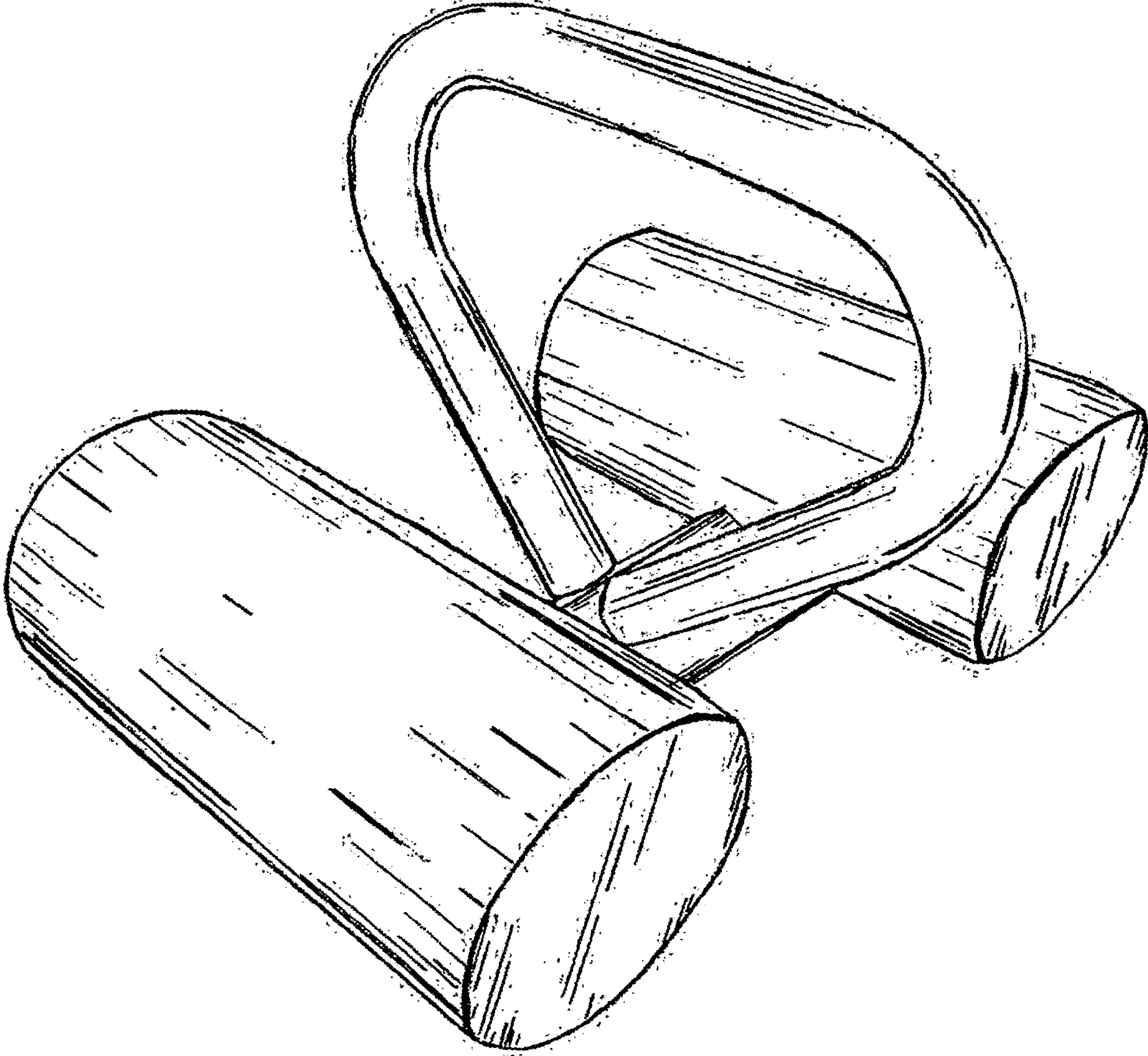


FIG 1

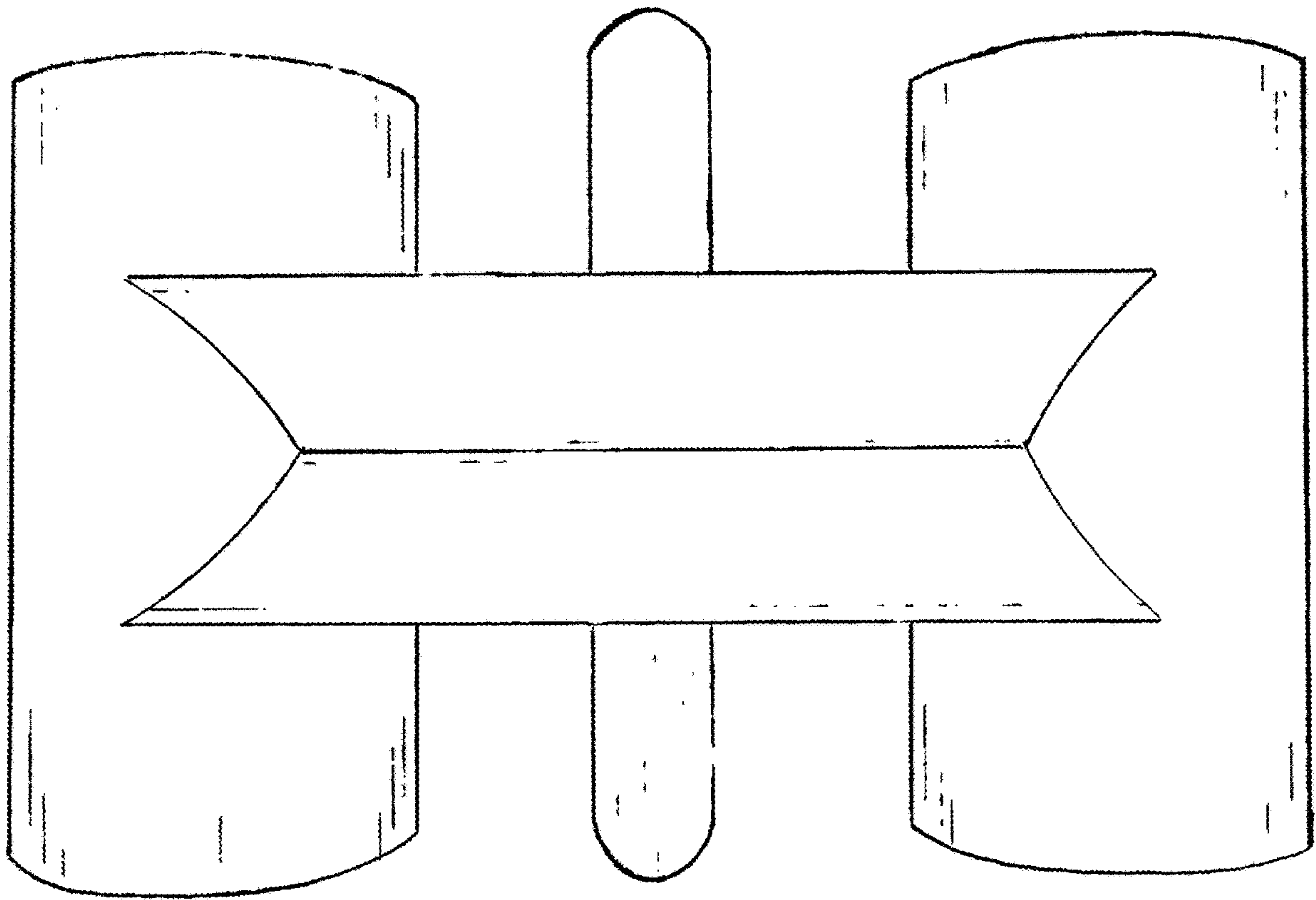


FIG. 2

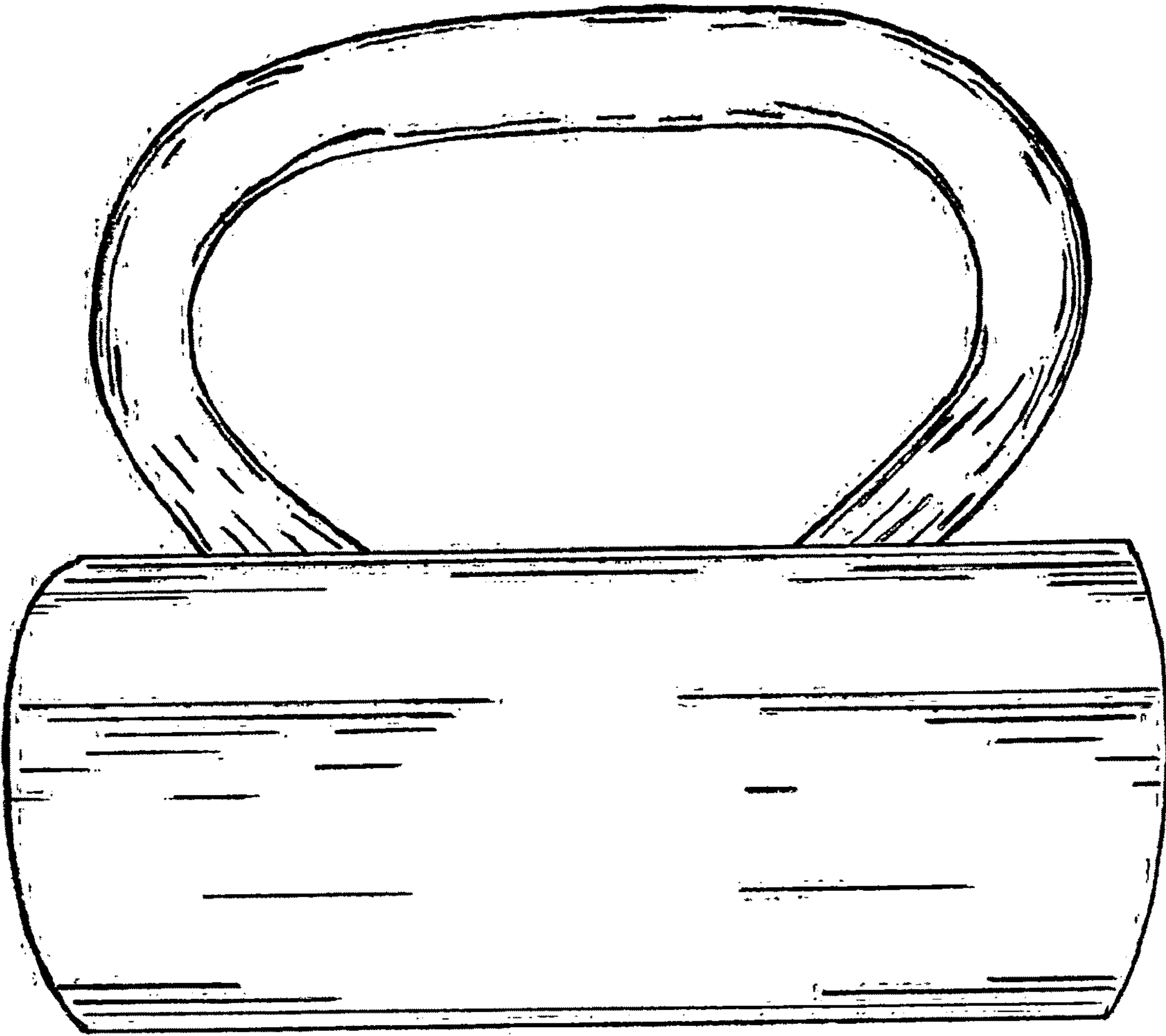


FIG. 3

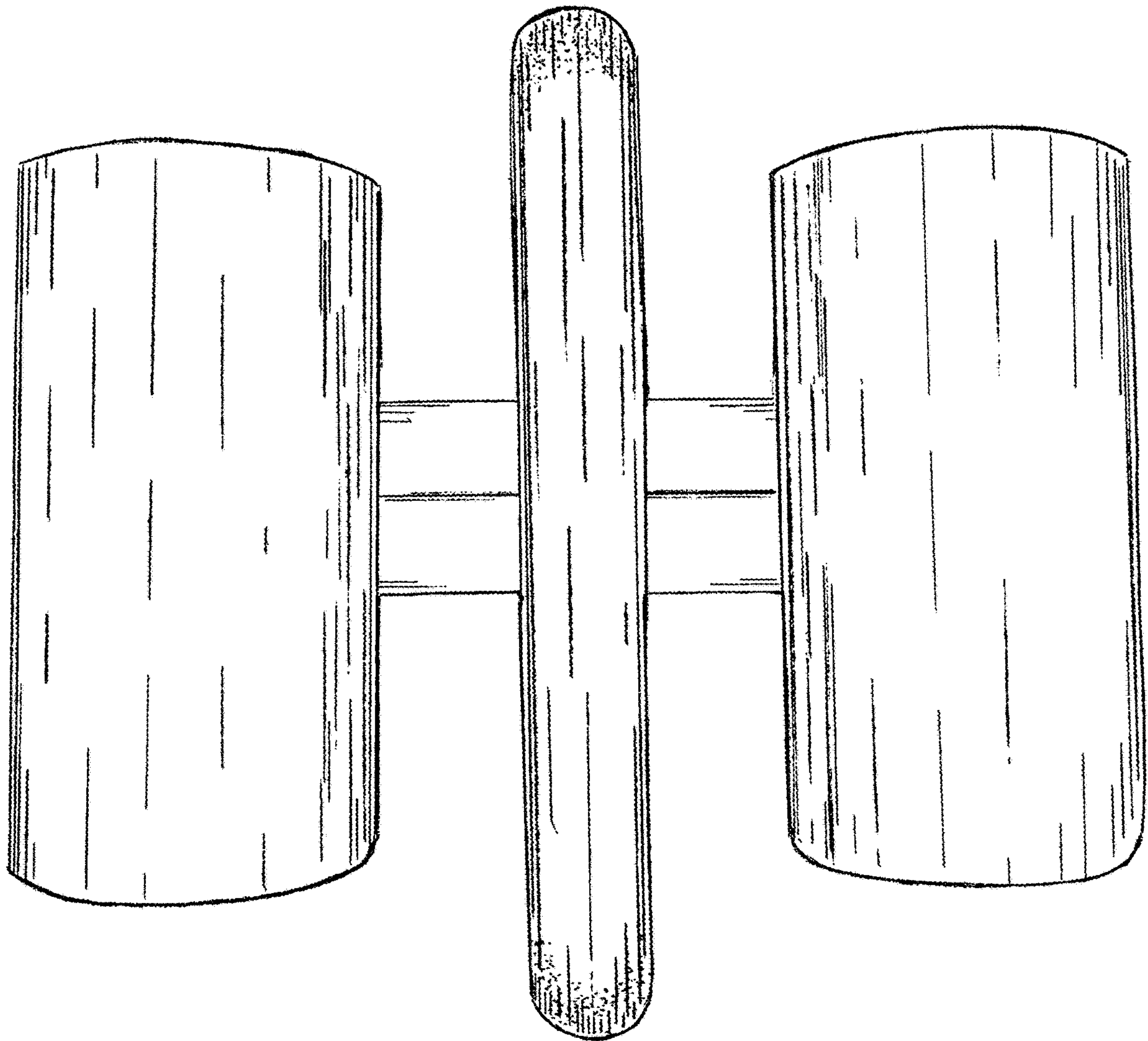


FIG. 4