



US00D909498S

(12) **United States Design Patent** (10) **Patent No.:** **US D909,498 S**
Ayalon (45) **Date of Patent:** **** Feb. 2, 2021**

- (54) **AQUATIC RESISTANCE TRAINING DEVICE** 4,685,667 A * 8/1987 McDonald A63B 21/0084 441/58
- (71) Applicant: **Gold-Game Import & Marketing Ltd., Ramat Hasharon (IL)** D299,365 S * 1/1989 Greeley D21/678 4,819,951 A * 4/1989 Solloway A63B 21/0061 482/111
- (72) Inventor: **Shilo Ayalon, Ramat Hasharon (IL)** D302,195 S * 7/1989 Orak D21/682 4,854,575 A * 8/1989 Wilson A63B 21/0602 482/108
- (73) Assignee: **Gold-Game Import & Marketing Ltd.** D307,168 S * 4/1990 Vodhanel D21/682 D309,763 S * 8/1990 Solloway D21/678
- (**) Term: **15 Years** (Continued)

(21) Appl. No.: **29/637,426**

(22) Filed: **Feb. 19, 2018**

(51) **LOC (13) Cl.** **21-02**

(52) **U.S. Cl.**
USPC **D21/678**

(58) **Field of Classification Search**
USPC D21/680, 682, 681, 686, 662, 692, 689, D21/687, 684, 679, 678, 671; 482/108, 482/109, 106, 93, 107, 98, 91, 139, 104, 482/44, 55, 51, 47, 45, 49, 141; D30/160
CPC . A63B 21/072; A63B 21/075; A63B 21/4035; A63B 21/0726; A63B 21/0602; A63B 21/0728; A63B 21/0004; A63B 21/00065; A63B 21/4043; A63B 23/1236; A63B 21/06; A63B 21/0601; A63B 21/0084; A63B 21/0724; A63B 23/03508
See application file for complete search history.

(56) **References Cited**

U.S. PATENT DOCUMENTS

- D244,628 S * 6/1977 Wright D21/682
- 4,029,312 A * 6/1977 Wright A63B 21/0602 482/108
- D267,737 S * 1/1983 Wright D21/682
- D271,407 S * 11/1983 Wright D21/682
- D274,283 S * 6/1984 Wright 482/108
- 4,623,142 A * 11/1986 MacKechnie A63B 21/0084 482/111
- 4,632,391 A * 12/1986 Orak A63B 21/0608 446/170

OTHER PUBLICATIONS

Aqualogix, "https://aqualogixfitness.com/shop/", Developed by ProMiTech. Nov. 15, 2016.

Primary Examiner — Ryan Harvey

(74) *Attorney, Agent, or Firm* — Emerson, Thomson & Bennett, LLC; Roger D. Emerson; Peter R. Detorre

(57) **CLAIM**

The ornamental design for an aquatic resistance training device, as shown and described.

DESCRIPTION

FIG. 1 is a perspective view of an aquatic resistance training device.

FIG. 2 is a front view of the aquatic resistance training device shown in FIG. 1.

FIG. 3 is a back view of the aquatic resistance training device shown in FIG. 1.

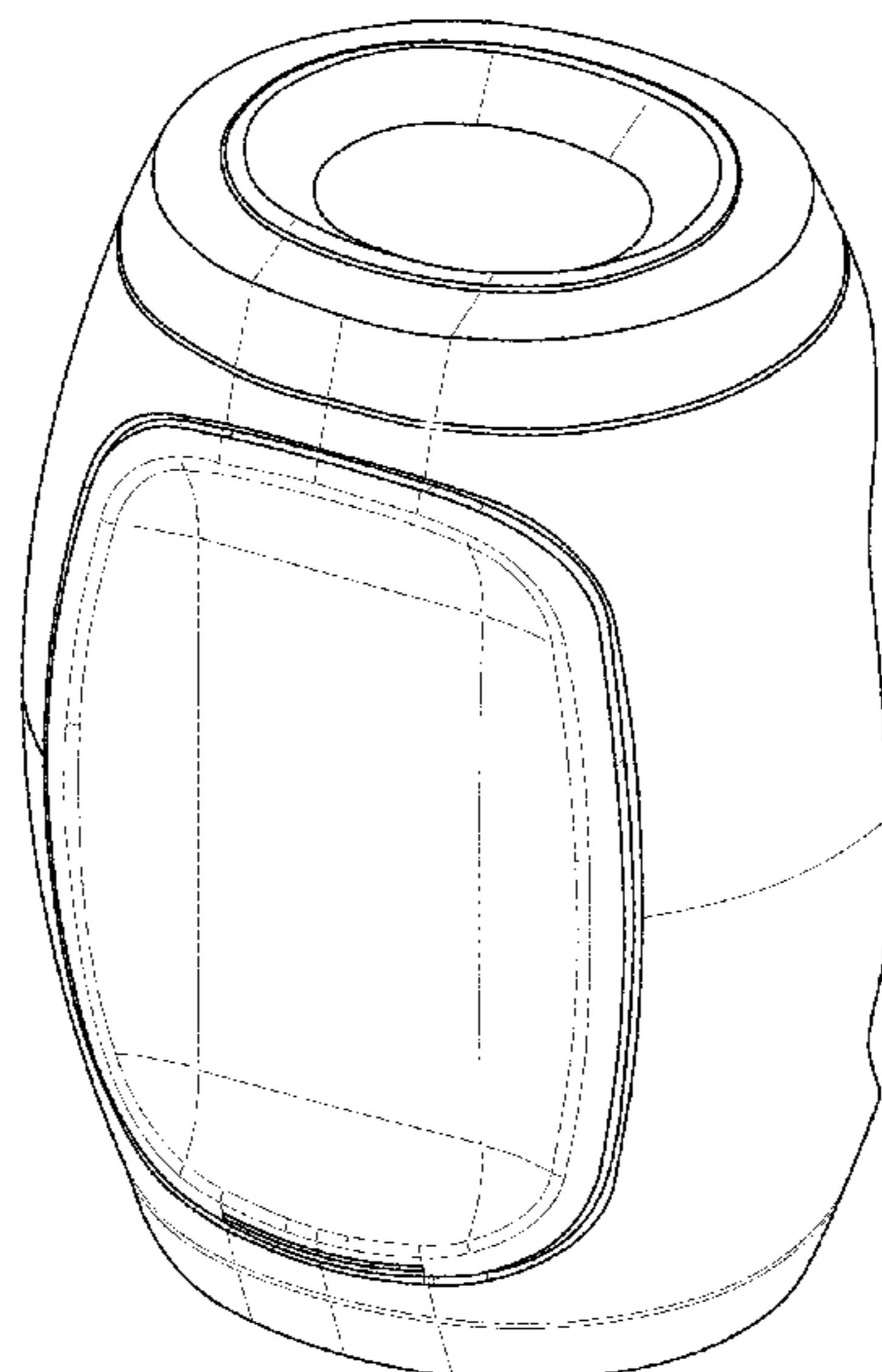
FIG. 4 is a top view of the aquatic resistance training device shown in FIG. 1.

FIG. 5 is a bottom view of the aquatic resistance training device shown in FIG. 1.

FIG. 6 is a right side view of the aquatic resistance training device shown in FIG. 1; and,

FIG. 7 is a left side view of the aquatic resistance training device shown in FIG. 1.

1 Claim, 7 Drawing Sheets



(56)

References Cited

U.S. PATENT DOCUMENTS

5,033,739	A *	7/1991	MacKechnie	A63B 21/0084	7,878,952	B2 *	2/2011	Fenelon	A63B 21/075
				482/111					482/108
D321,230	S *	10/1991	Leonesio	D21/682	D651,671	S *	1/2012	Ross	D21/662
D343,660	S *	1/1994	Hwang	D21/682	D658,729	S *	5/2012	McLoughney	D21/682
D343,880	S *	2/1994	Shelton	D21/678	D662,558	S *	6/2012	Lovegrove	D21/680
D344,113	S *	2/1994	Shelton	D21/678	8,454,485	B1 *	6/2013	Hodes	A63B 21/0726
D348,914	S *	7/1994	Shelton	D21/678					482/108
D367,089	S *	2/1996	Hughes	D21/678	8,790,224	B1 *	7/2014	Davis	A63B 21/0084
D372,945	S *	8/1996	Morgan	D21/682					441/50
5,692,944	A *	12/1997	Pellicone	A63B 21/0608	D754,265	S *	4/2016	White	D21/682
				273/109	D762,788	S *	8/2016	Slowey	D21/680
6,050,925	A *	4/2000	Irvin	A63B 21/00069	D769,990	S *	10/2016	Jung	D21/681
				441/55	D779,599	S *	2/2017	Jung	D21/681
D438,265	S *	2/2001	Fenelon	A63B 1/00	D798,969	S *	10/2017	Lozito	D21/682
				D21/682	D799,610	S *	10/2017	Ho	D21/681
6,461,282	B1 *	10/2002	Fenelon	A63B 21/0601	9,795,826	B1 *	10/2017	Vardi	A63B 21/4035
				482/106	D805,140	S *	12/2017	Hodes	D21/681
D480,438	S *	10/2003	Walkow	D21/681	9,833,653	B2 *	12/2017	Bradford	A63B 21/0607
6,652,420	B2 *	11/2003	Chen	A63B 23/12	10,300,320	B2 *	5/2019	Pallesen	A63B 21/4025
				482/139	D865,880	S *	11/2019	Laurence	D21/681
7,014,598	B2 *	3/2006	Fenelon	A63B 21/0601	D866,685	S *	11/2019	Laurence	D21/681
				482/106	2002/0098952	A1 *	7/2002	Stout	A63B 21/0084
D521,578	S *	5/2006	Keegan	D21/678					482/55
D523,098	S *	6/2006	Keegan	D21/678	2004/0097342	A1 *	5/2004	Stout	A63B 21/0004
7,090,618	B2 *	8/2006	Stout	A63B 21/0084					482/55
				482/55	2004/0259691	A1 *	12/2004	Stout	A63B 21/0084
D575,361	S *	8/2008	Davis	D21/682					482/47
7,491,155	B2 *	2/2009	Fenelon	A63B 21/0601	2006/0073951	A1 *	4/2006	Walkow	A63B 21/0601
				482/107					482/109
7,785,240	B2 *	8/2010	Stugart	A63B 21/06	2011/0263393	A1 *	10/2011	Ross	A63B 21/072
				482/108					482/93
D631,106	S *	1/2011	Zemel	D21/662	2014/0038795	A1 *	2/2014	Sassano	A63B 23/02
									482/141
					2014/0249001	A1 *	9/2014	Malvezzi	A63B 21/072
									482/93
					2016/0317857	A1 *	11/2016	Sorin	A63B 21/072

* cited by examiner

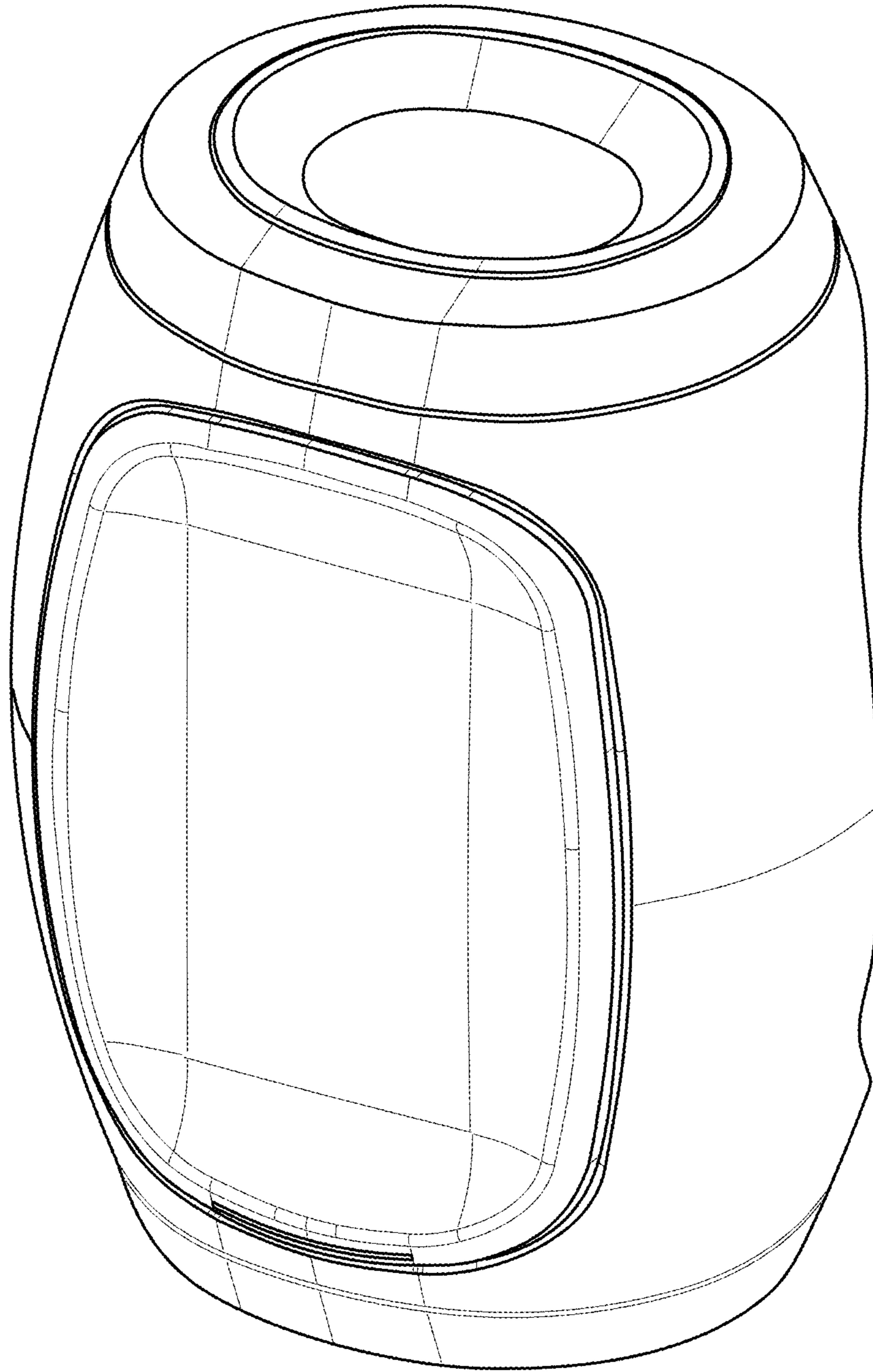


FIG. 1

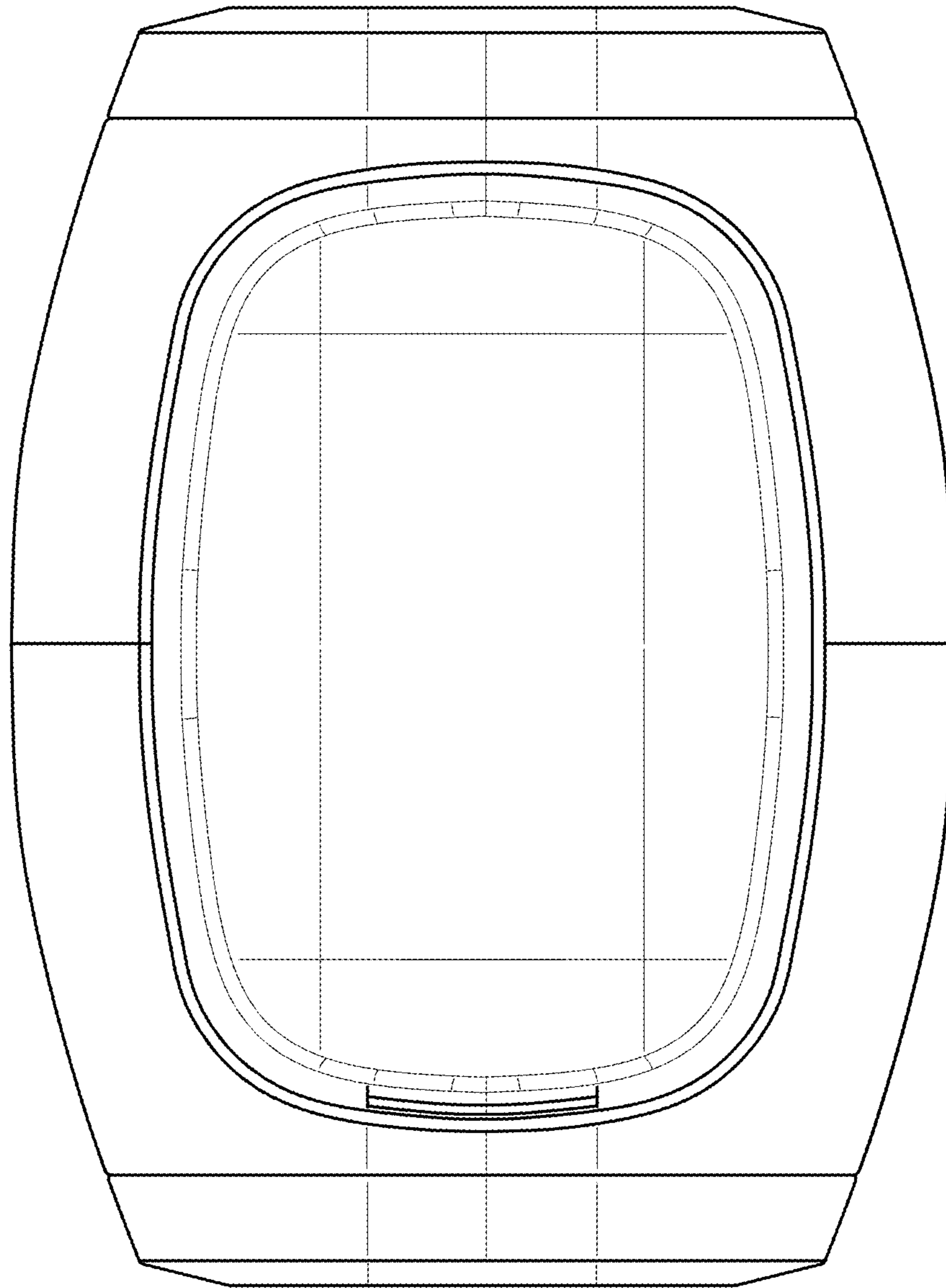


FIG. 2

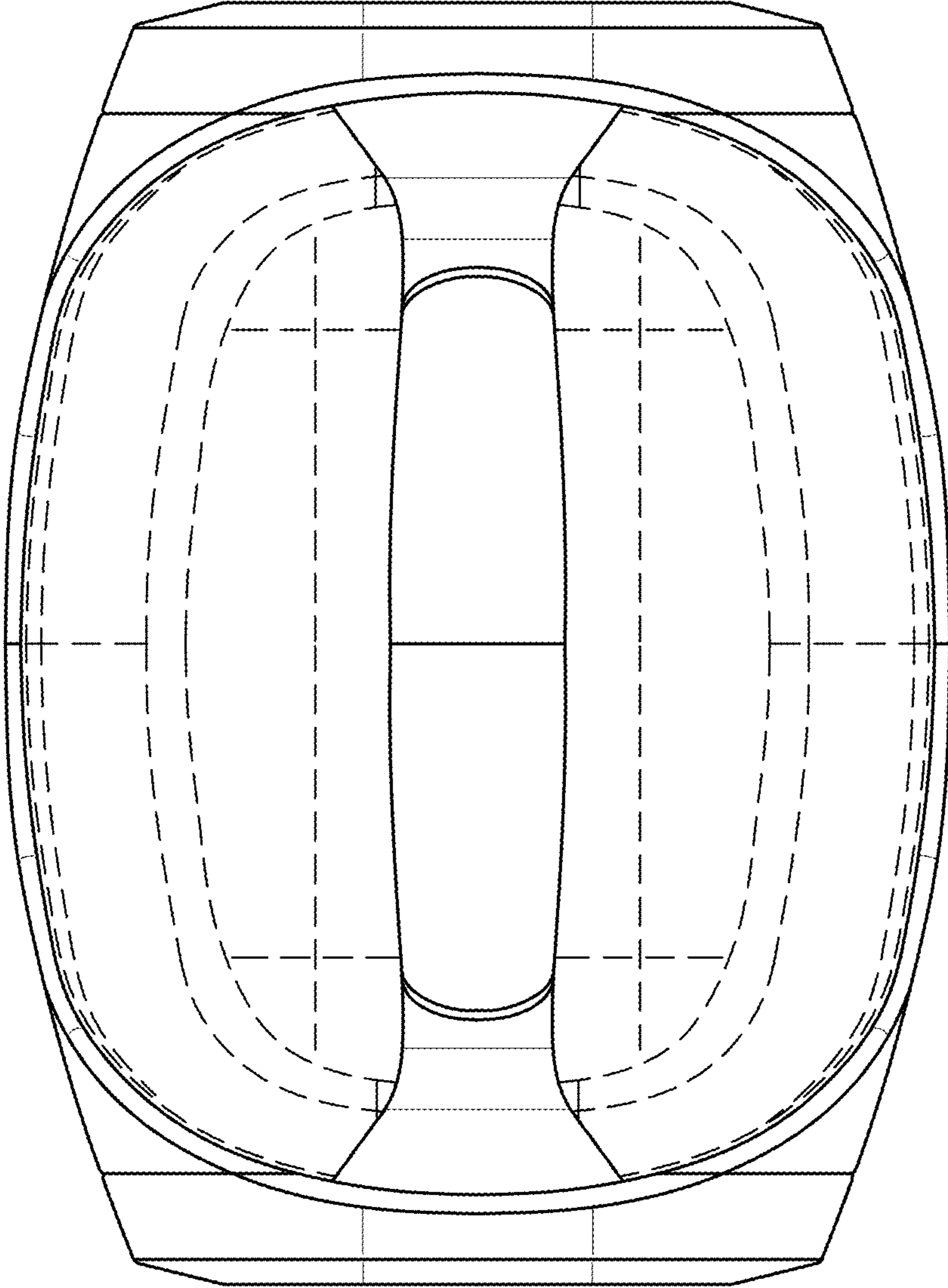


FIG. 3

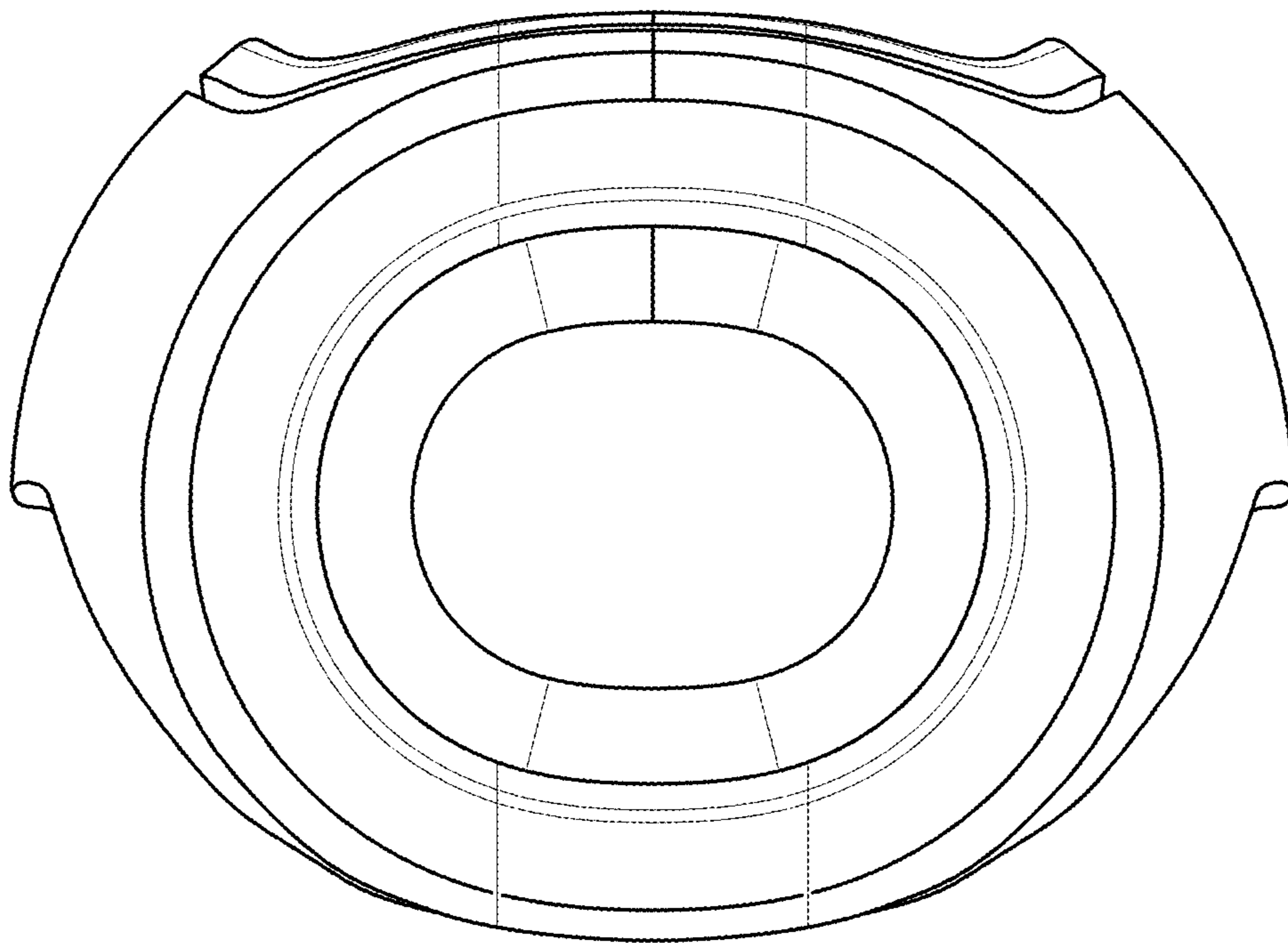


FIG. 4

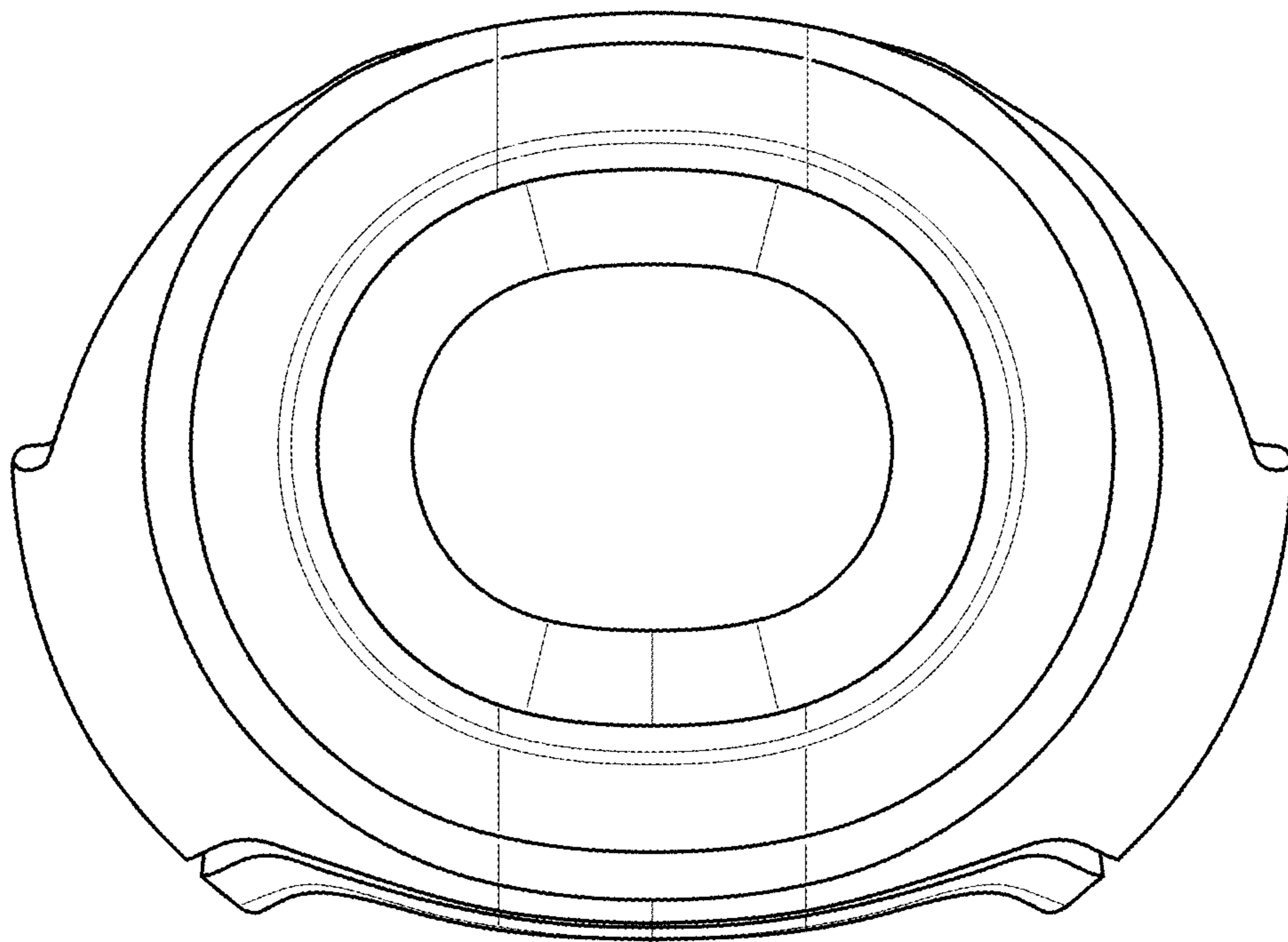


FIG. 5

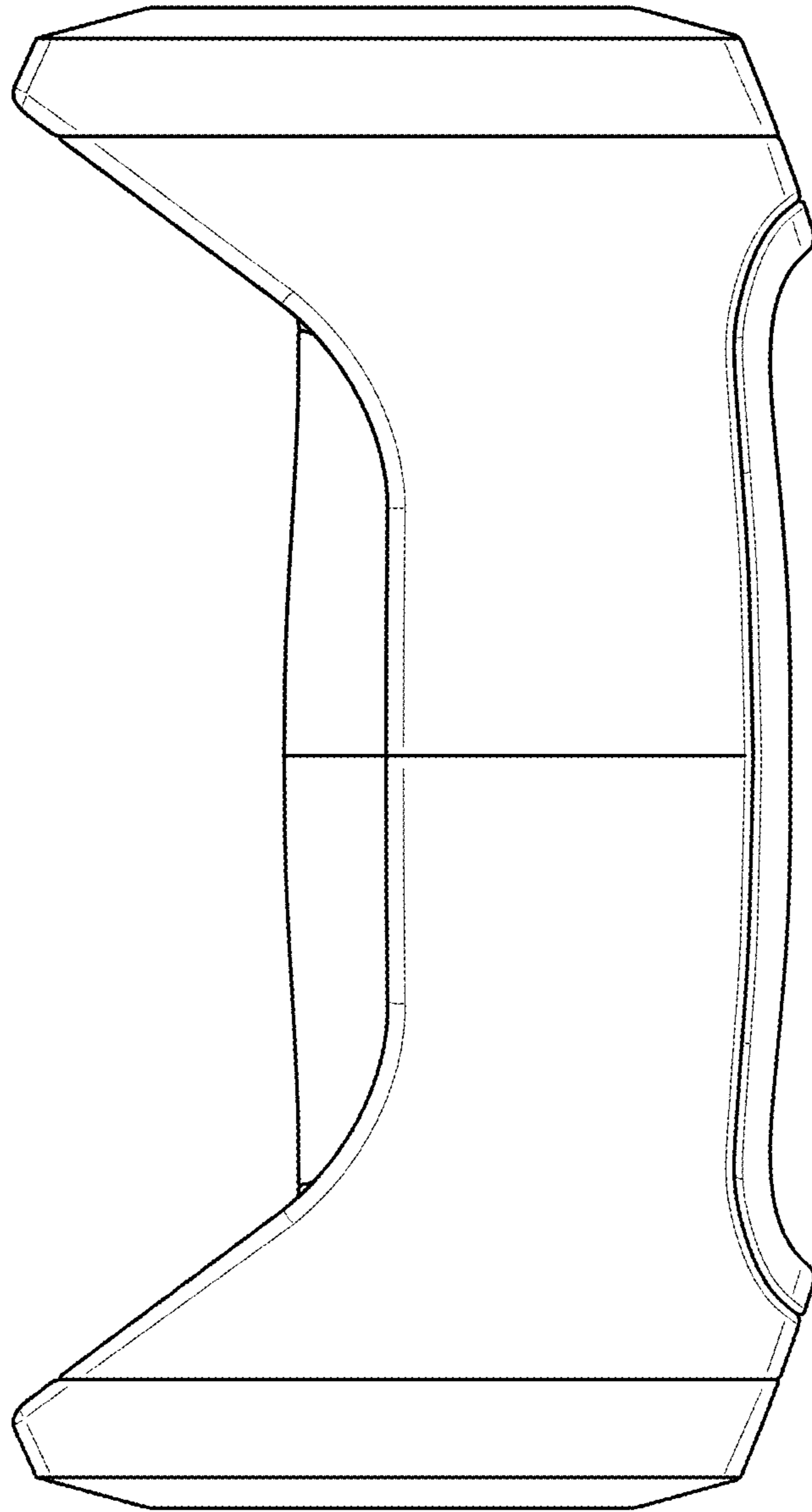


FIG. 6

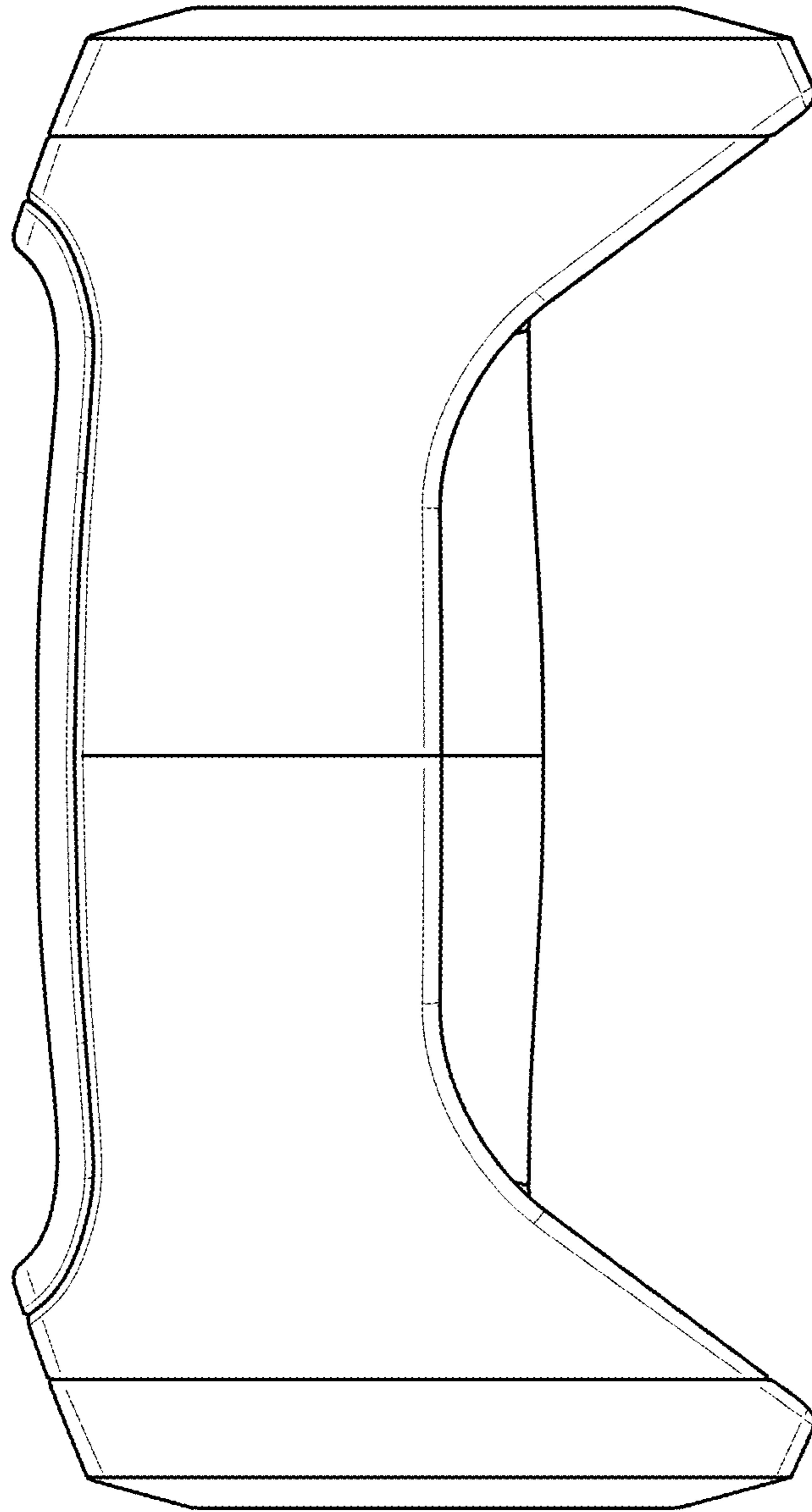


FIG. 7