



US00D909497S

(12) **United States Design Patent** (10) **Patent No.:** **US D909,497 S**
Goldberg et al. (45) **Date of Patent:** **** Feb. 2, 2021**

(54) **SPIN BIKE**
(71) Applicants: **Jonathan Martin Goldberg**, Santa Barbara, CA (US); **Dyaco International, Inc.**, Taipei (TW)
(72) Inventors: **Jonathan Martin Goldberg**, Santa Barbara, CA (US); **Shih Te Chung**, Taipei (TW); **Chen Chia Hsien**, Taipei (TW); **Huang Hsiao Ju**, Taipei (TW)
(73) Assignee: **Dyaco International, Inc.**, Taipei (TW)
(**) Term: **15 Years**
(21) Appl. No.: **29/684,382**
(22) Filed: **Mar. 20, 2019**
(51) **LOC (13) Cl.** **21-02**
(52) **U.S. Cl.**
USPC **D21/667**
(58) **Field of Classification Search**
USPC D12/400, 406, 407, 414; D21/662, 663, D21/665, 666, 667, 668, 669, 670, 671, D21/673, 685, 694, 696, 697
CPC A63B 2022/0641; A63B 2022/0647; A63B 21/225; A63B 21/4049
See application file for complete search history.

D343,659 S * 1/1994 Kiiski D21/667
D344,313 S * 2/1994 Wu D21/663
D344,774 S * 3/1994 Lertyaovarit D21/667
D344,775 S * 3/1994 Lertyaovarit D21/667
D344,776 S * 3/1994 Lertyaovarit D21/667
D349,932 S * 8/1994 Ueda D21/663
D356,840 S * 3/1995 Huang D21/667
D357,953 S * 5/1995 Warehime D21/667
D360,002 S * 7/1995 Wu D21/667
D366,298 S * 1/1996 Wu D21/663
D372,284 S * 7/1996 Wang D21/667
D380,795 S * 7/1997 Wang D21/663
D380,796 S * 7/1997 Wang D21/667
D382,924 S * 8/1997 Wu D21/667
D382,925 S * 8/1997 Wu D21/667
D384,380 S * 9/1997 Wang D21/667

(Continued)

Primary Examiner — Cynthia Ramirez
Assistant Examiner — Michael A Maharajh
(74) *Attorney, Agent, or Firm* — Finnegan, Henderson, Farabow, Garrett & Dunner, LLP

(57) **CLAIM**

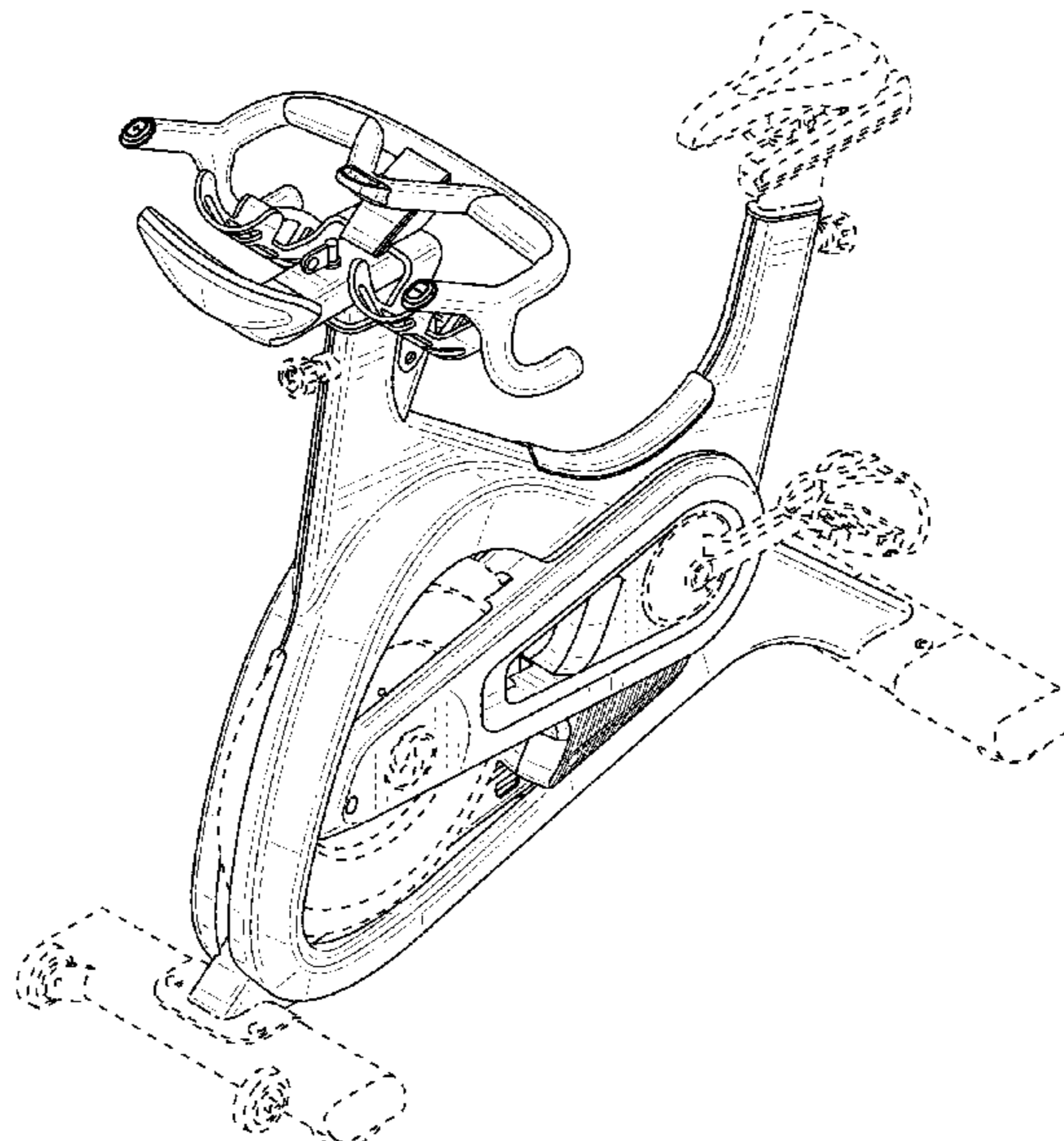
The ornamental design for a spin bike, as shown and described.

DESCRIPTION

FIG. 1 is a front, top, left perspective view of a spin bike, showing the new design;
FIG. 2 is a rear, top, right perspective thereof;
FIG. 3 is a front view thereof;
FIG. 4 is a rear view thereof;
FIG. 5 is a left side view thereof;
FIG. 6 is a right side view thereof;
FIG. 7 is a top view thereof; and,
FIG. 8 is a bottom view thereof.
The broken lines of uneven length illustrate the boundary of the claimed design and form no part thereof. The broken lines of even length depict portions of the spin bike that form no part of the claimed design.

1 Claim, 8 Drawing Sheets

(56) **References Cited**
U.S. PATENT DOCUMENTS
D299,371 S * 1/1989 Tsuyama D21/663
D319,675 S * 9/1991 Byrd D21/665
D320,826 S * 10/1991 Hildebrandt D21/666
D323,368 S * 1/1992 Whitesel D21/667
D323,863 S * 2/1992 Watterson D21/667
D325,410 S * 4/1992 Chen D21/667
D325,946 S * 5/1992 Cesaroni D21/663
D329,073 S * 9/1992 Hsiao D21/663
D330,236 S * 10/1992 Jarriel D21/665
D338,509 S * 8/1993 Gustafsson D21/667



(56)

References Cited

U.S. PATENT DOCUMENTS

D392,352 S *	3/1998	Hill	D21/663	D625,762 S *	10/2010	Fon	D21/667
D397,383 S *	8/1998	Sands	D21/663	D636,449 S *	4/2011	Wu	D21/667
D398,672 S *	9/1998	Sands	D21/663	D647,981 S *	11/2011	Chen	D21/663
D398,673 S *	9/1998	Huang	D21/663	D649,203 S *	11/2011	Zhang	D21/667
D398,674 S *	9/1998	Huang	D21/663	D649,204 S *	11/2011	Zhang	D21/667
D399,894 S *	10/1998	Chiu	D21/663	D650,870 S *	12/2011	Citterio	D21/663
D401,644 S *	11/1998	Chen	D21/663	D654,125 S *	2/2012	van der Meer	D21/667
D406,288 S *	3/1999	Chen	D21/663	D656,566 S *	3/2012	Decommer	D21/667
D433,082 S *	10/2000	Tsushi	D21/663	D672,827 S *	12/2012	Alessandri	D21/663
6,126,577 A *	10/2000	Chang	A63B 26/003 434/61	D675,687 S *	2/2013	Fischer	D21/663
D437,369 S *	2/2001	Tsushi	D21/663	D676,508 S *	2/2013	Wu	D21/667
D444,515 S *	7/2001	Moran	D21/663	D677,746 S *	3/2013	Baudhuin	D21/667
D460,794 S *	7/2002	Baker	D21/667	D682,371 S *	5/2013	Baudhuin	D21/667
D473,602 S *	4/2003	Baudhuin	D21/667	D709,566 S *	7/2014	Baudhuin	D21/667
6,669,603 B1 *	12/2003	Forcillo	A63B 21/015 482/51	9,480,877 B2 *	11/2016	Chiang	A63B 22/0605
D512,754 S *	12/2005	Nagano	D21/663	9,566,466 B2 *	2/2017	Huang	A63B 22/0056
D519,171 S *	4/2006	Kuo	D21/663	D785,730 S *	5/2017	Huang	D21/670
D524,384 S *	7/2006	Nagano	D21/663	D794,724 S *	8/2017	Tasca	D21/663
D526,031 S *	8/2006	Corbalis	D21/663	D797,213 S *	9/2017	Golesh	D21/663
D532,063 S *	11/2006	Kim	D21/697	D797,214 S *	9/2017	Suzuki	D21/663
D558,841 S *	1/2008	Clawson	D21/668	D802,062 S *	11/2017	Hooper	D21/663
D563,489 S *	3/2008	Giannelli	D21/668	D843,501 S *	3/2019	Mino	D21/663
D565,129 S *	3/2008	Chang	D21/668	D863,465 S *	10/2019	Lentine	D21/663
D567,310 S *	4/2008	Chen	D21/668	D874,584 S *	2/2020	Alessandri	D21/663
D569,455 S *	5/2008	Dukhande	D21/668	2008/0207402 A1 *	8/2008	Fisher	A63B 21/225 482/5
D571,417 S *	6/2008	Su	D21/667	2009/0118099 A1 *	5/2009	Fisher	A63B 22/0605 482/5
D579,989 S *	11/2008	Bingham, Jr.	D21/667	2011/0111923 A1 *	5/2011	Bacanovic	A63B 24/00 482/8
D586,409 S *	2/2009	Keiser	D21/667	2014/0296034 A1 *	10/2014	Wu	A63B 24/0087 482/7
D606,599 S *	12/2009	Murray	D21/668	2016/0263417 A1 *	9/2016	Golesh	A63B 21/00069

* cited by examiner

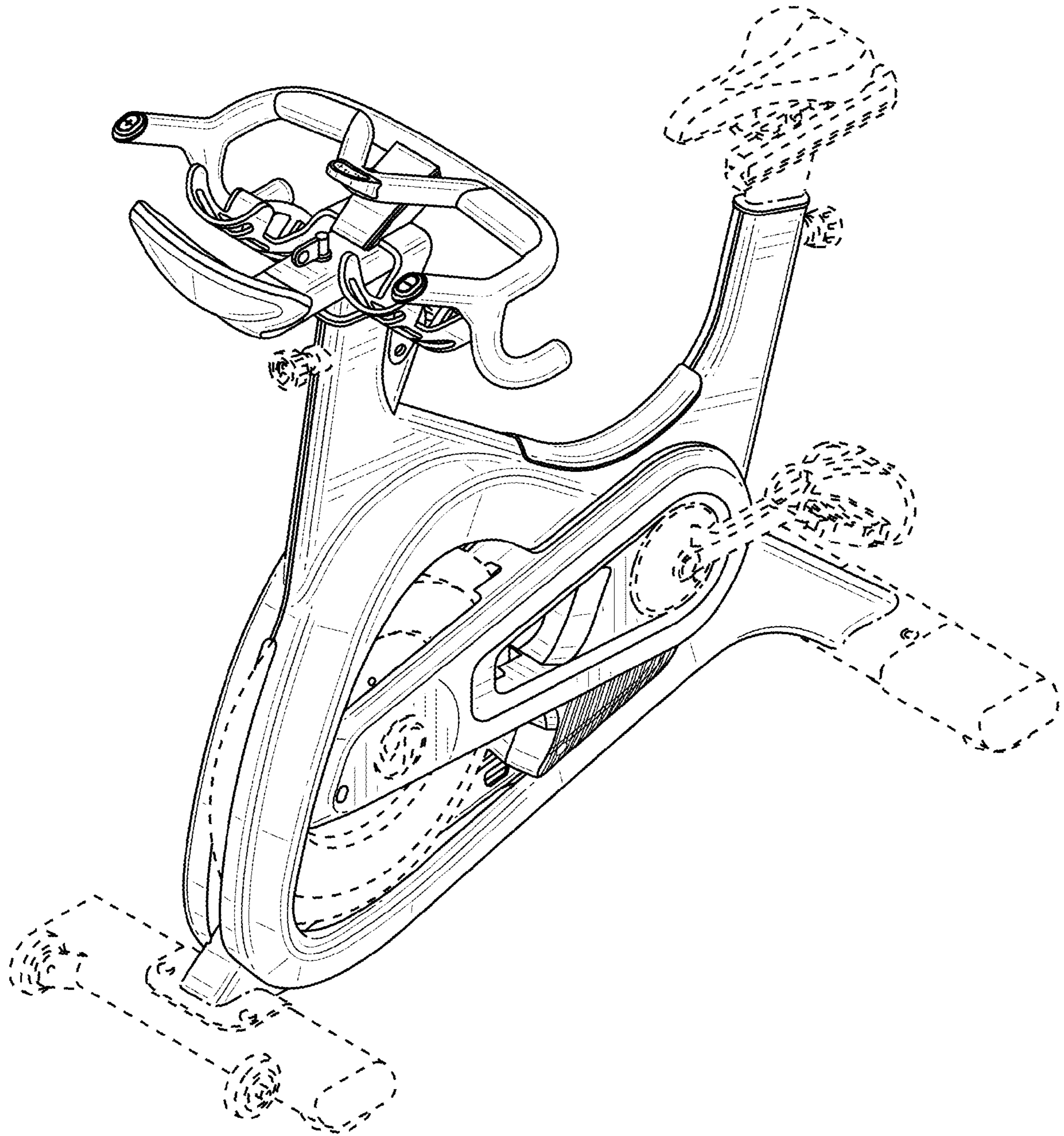


FIG. 1

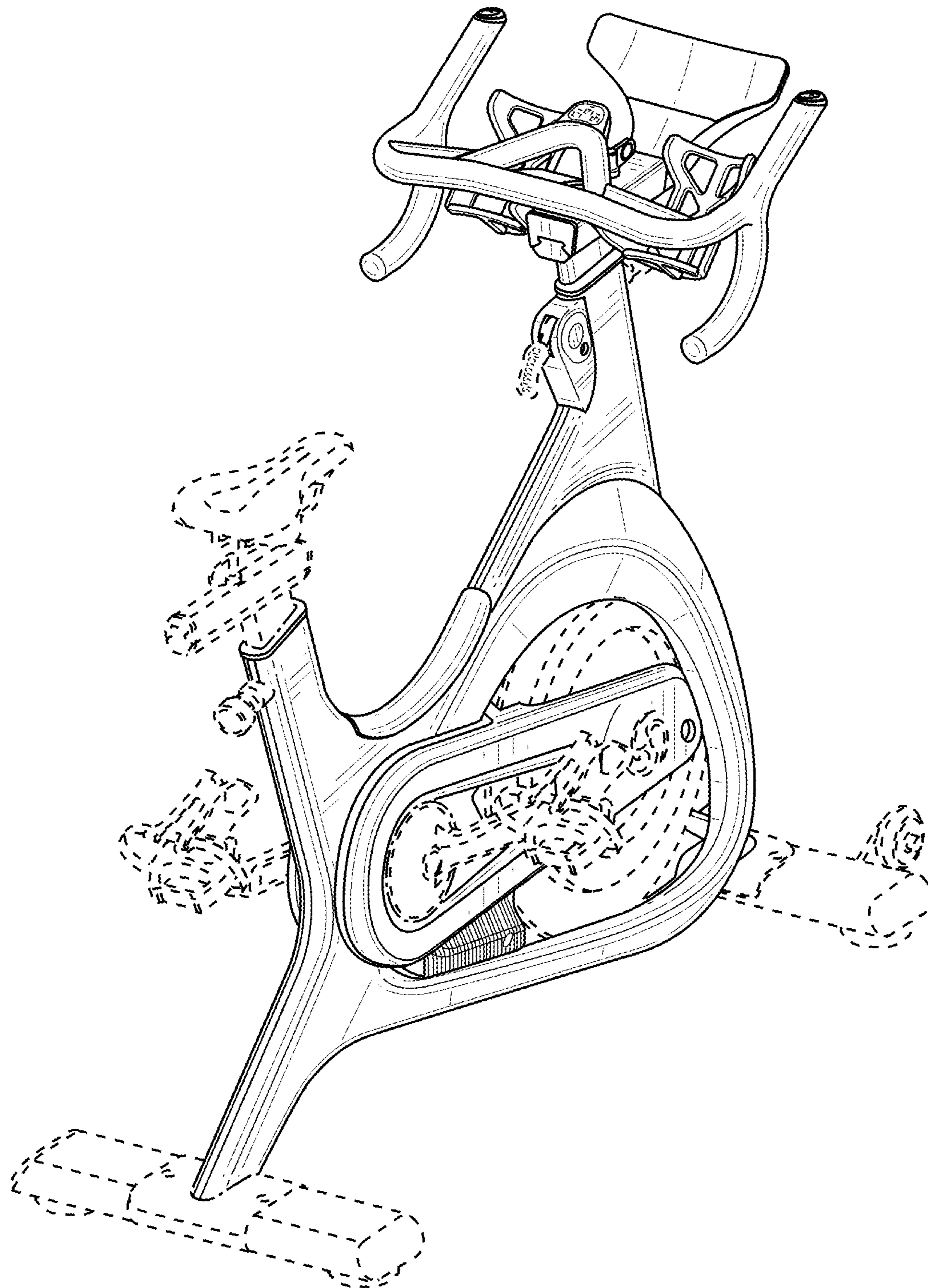


FIG. 2

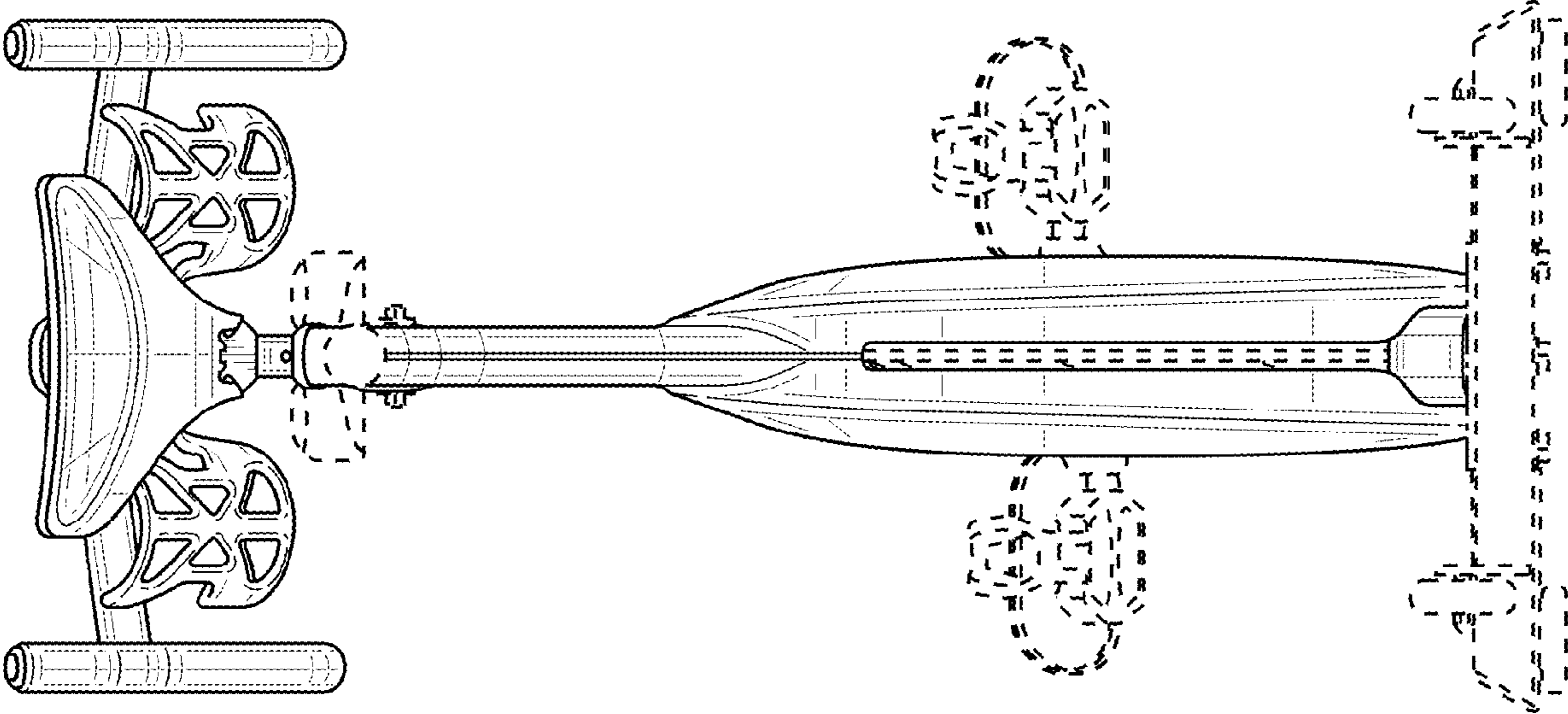


FIG. 3

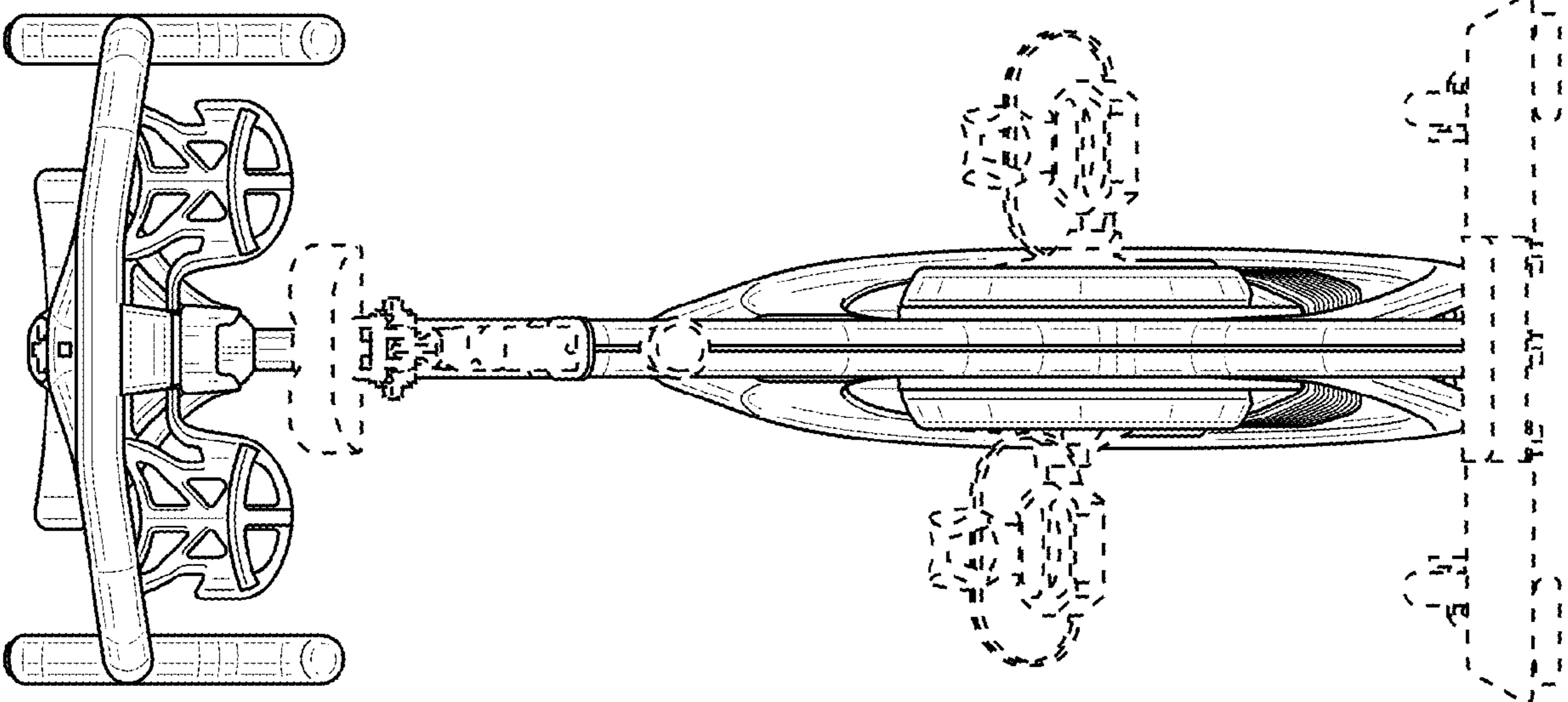


FIG. 4

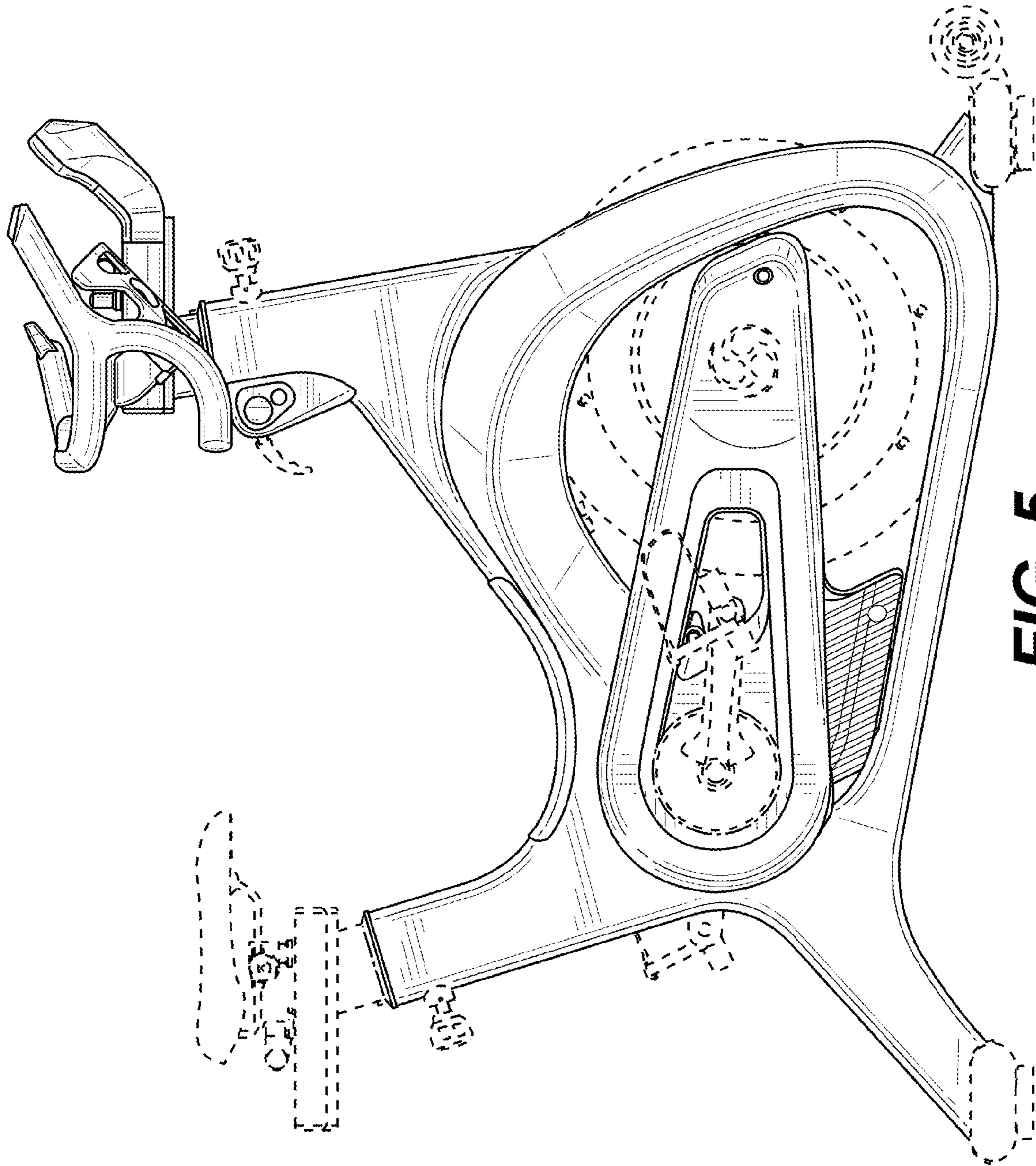


FIG. 5

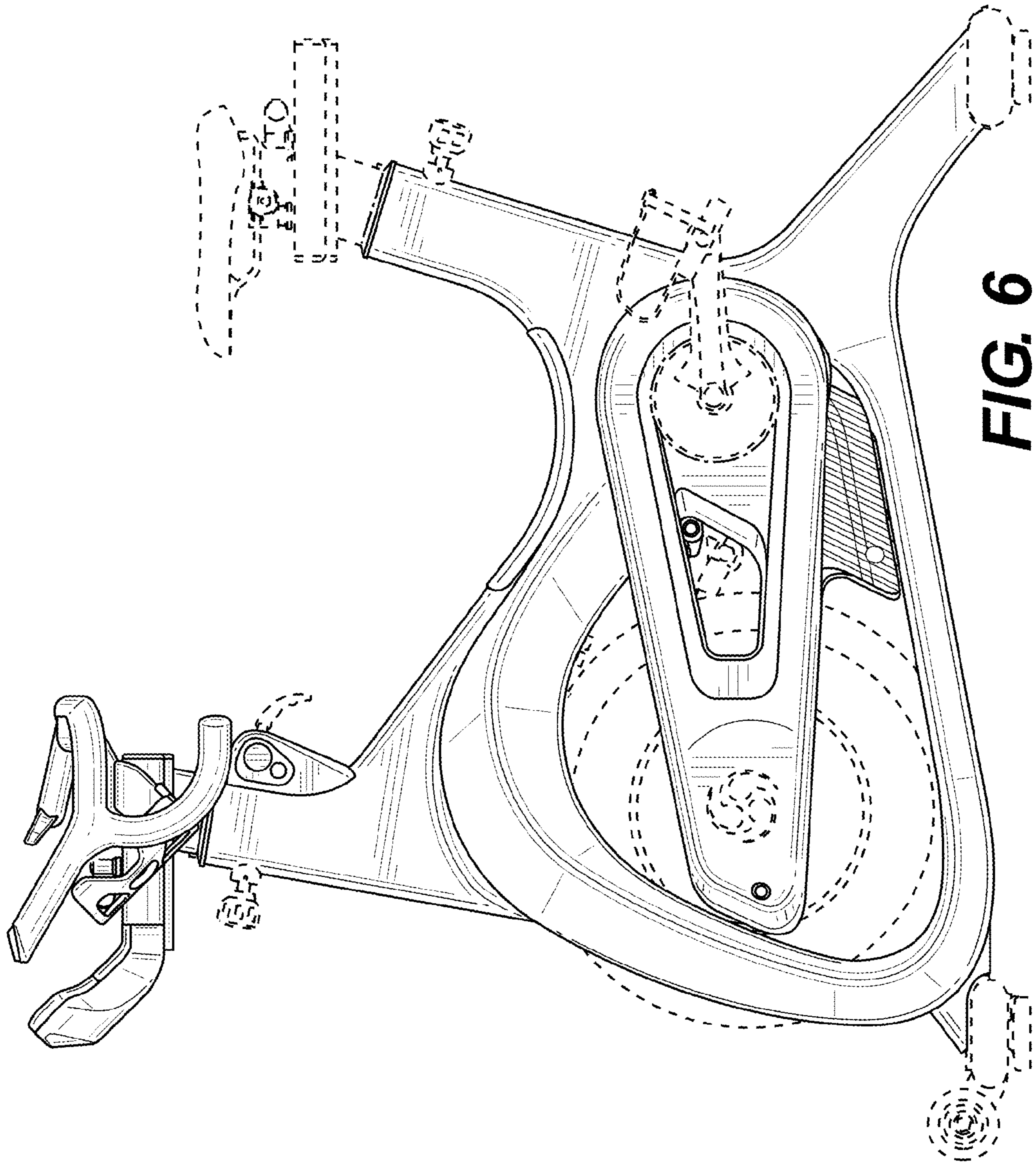


FIG. 6

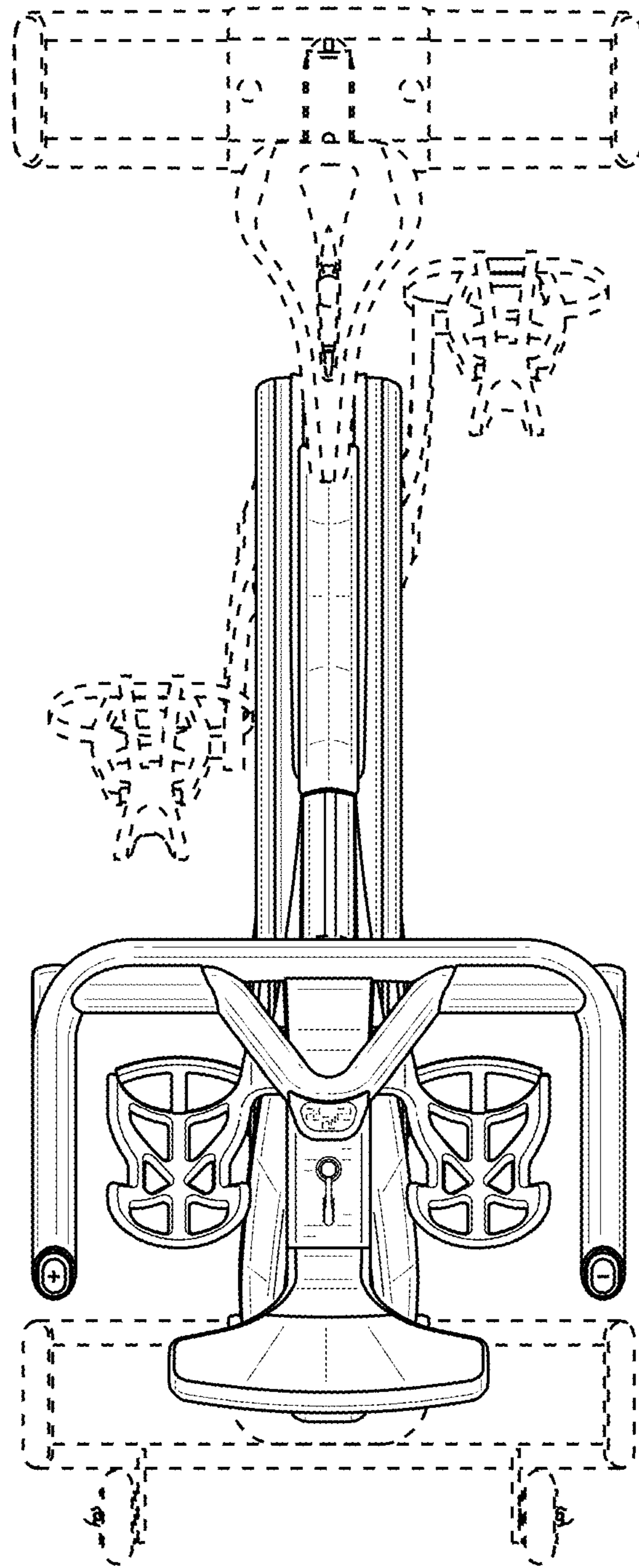


FIG. 7

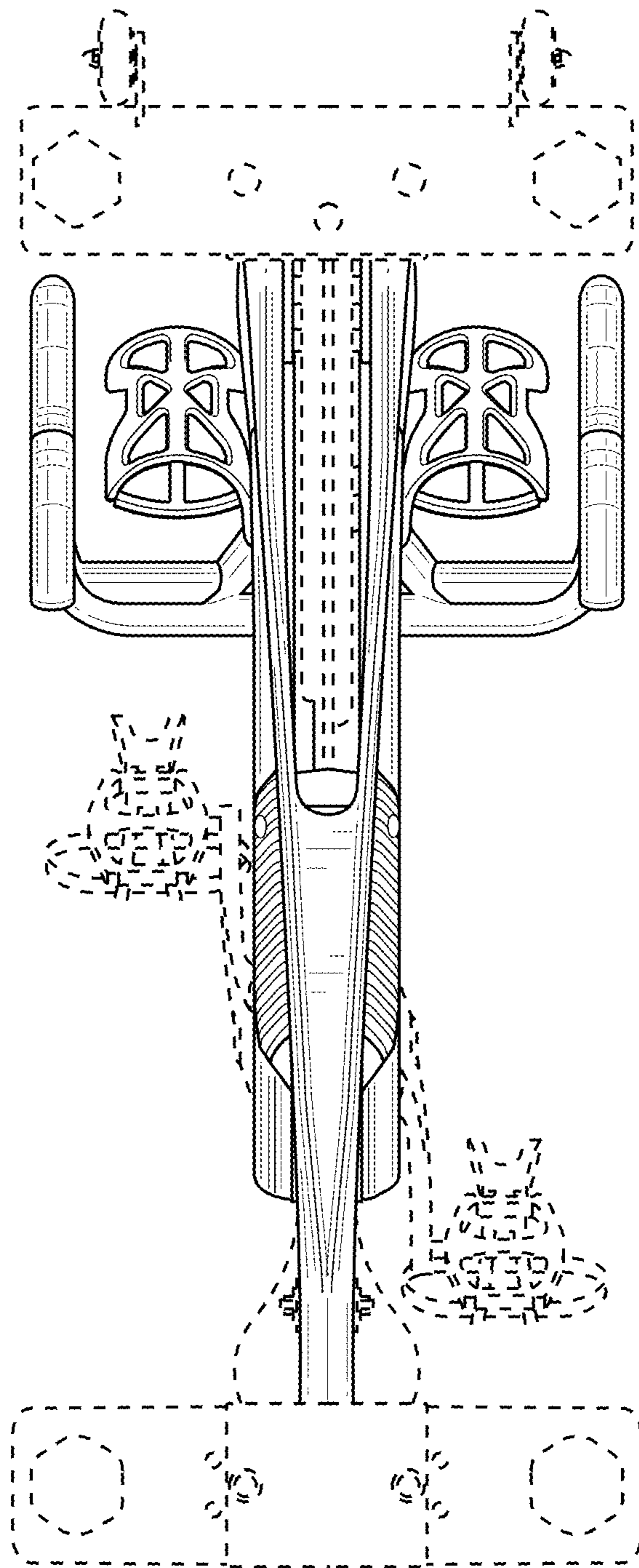


FIG. 8