

US00D909494S

(12) **United States Design Patent**
Park et al.

(10) **Patent No.:** **US D909,494 S**

(45) **Date of Patent:** **** Feb. 2, 2021**

(54) **TOY BLOCK**

(71) Applicant: **GYMWORLD INC.**, Seoul (KR)

(72) Inventors: **Kee Young Park**, Seoul (KR); **Gyu Jin Seo**, Seoul (KR); **Ju Seong Lee**, Osan-si (KR); **Chang Moon Lee**, Gwangmyeong-si (KR); **Ki Ho Lee**, Hwaseong-si (KR); **Yoon Su Cha**, Suwon-si (KR); **Na Young Go**, Seongnam-si (KR); **So Lee Kang**, Seoul (KR); **Jo Un Yi**, Seoul (KR)

(73) Assignee: **GYMWORLD INC.**, Seoul (KR)

(**) Term: **15 Years**

(21) Appl. No.: **29/694,980**

(22) Filed: **Jun. 14, 2019**

(30) **Foreign Application Priority Data**

Jan. 29, 2019 (KR) 30-2019-0004545

(51) **LOC (13) Cl.** **21-01**

(52) **U.S. Cl.**
USPC **D21/493**; D21/496

(58) **Field of Classification Search**
USPC D21/398, 468, 471, 475, 479, 483, 484,
D21/493, 494, 496, 498, 503, 658
CPC A63H 33/04; A63H 33/046; A63H 33/06;
A63H 33/062
See application file for complete search history.

(56) **References Cited**

U.S. PATENT DOCUMENTS

D183,027 S * 6/1958 Southwick D21/471
D214,801 S * 7/1969 Adolph D21/658

D260,414 S * 8/1981 Nakao D21/623
D475,756 S * 6/2003 Manville D11/152
D527,427 S * 8/2006 Andersen D21/398
D653,916 S * 2/2012 Ablo D7/629
D839,973 S * 2/2019 Hochstrasser D21/661

* cited by examiner

Primary Examiner — Cynthia M. Chin

(74) *Attorney, Agent, or Firm* — KORUS Patent, LLC;
Seong Il Jeong

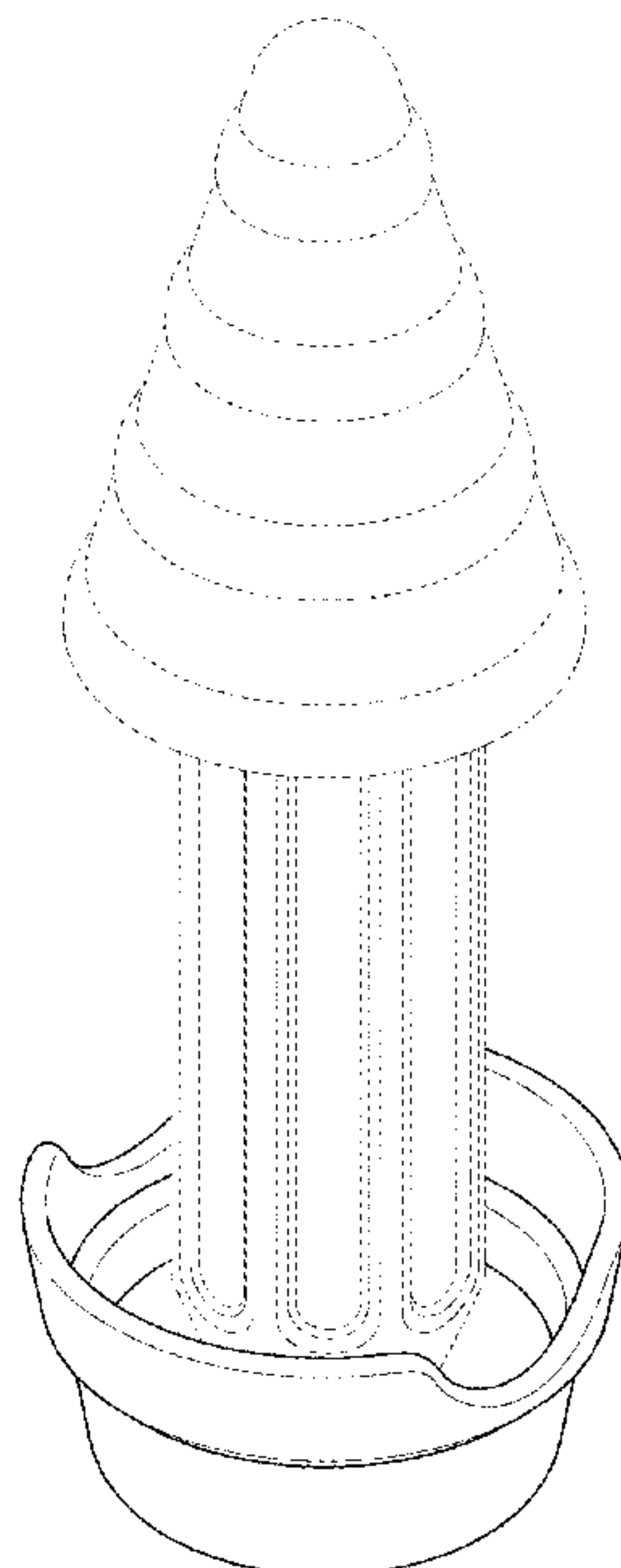
(57) **CLAIM**

The ornamental design for a toy block, as shown and described.

DESCRIPTION

FIG. 1 is a front perspective view of a toy block according to the present design;
FIG. 2 is a front elevation view thereof;
FIG. 3 is a rear elevation view thereof;
FIG. 4 is a left side view thereof;
FIG. 5 is a right side view thereof;
FIG. 6 is a top plan view thereof;
FIG. 7 is a bottom plan view thereof;
FIG. 8 is a first perspective view illustrating use thereof; and,
FIG. 9 is a second perspective view illustrating use thereof.
The broken lines in FIG. 7 are for the purpose of illustrating portions of the article that form no part of the claimed design. The broken lines showing of parts in FIGS. 8 and 9 are included for the purpose of illustrating use and environment and forms no part of the claimed design.

1 Claim, 7 Drawing Sheets



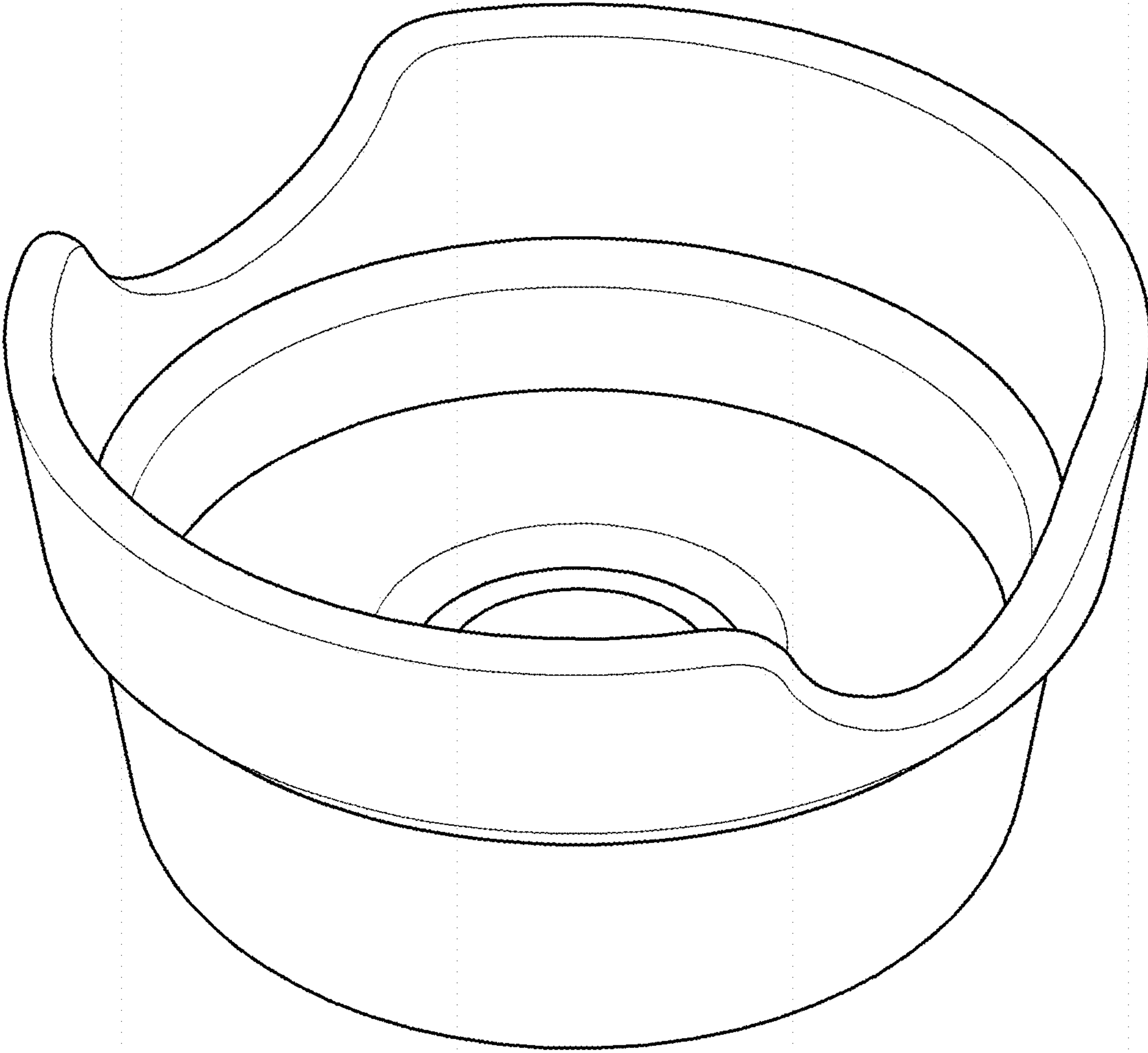


FIG. 1

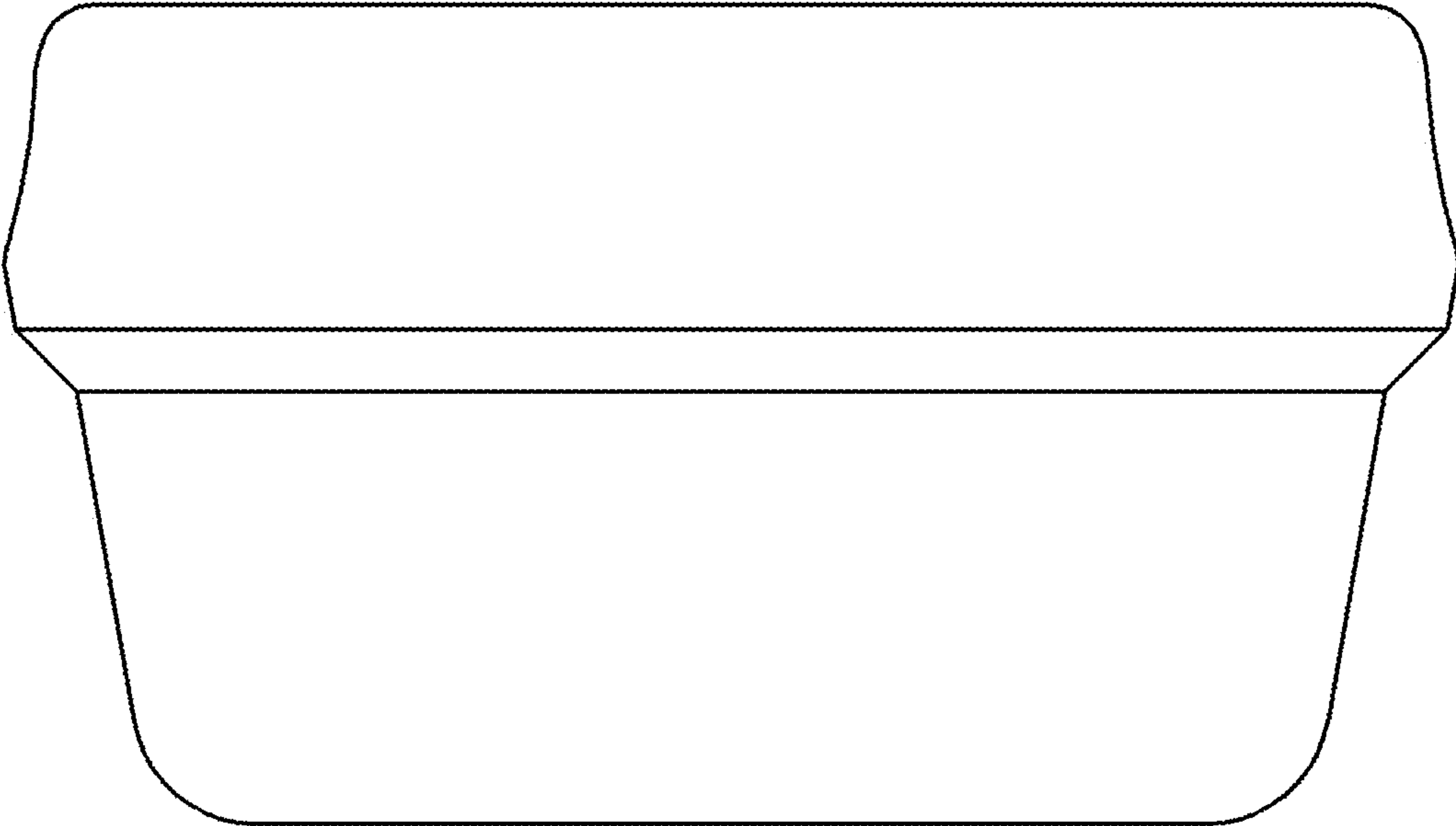


FIG. 2

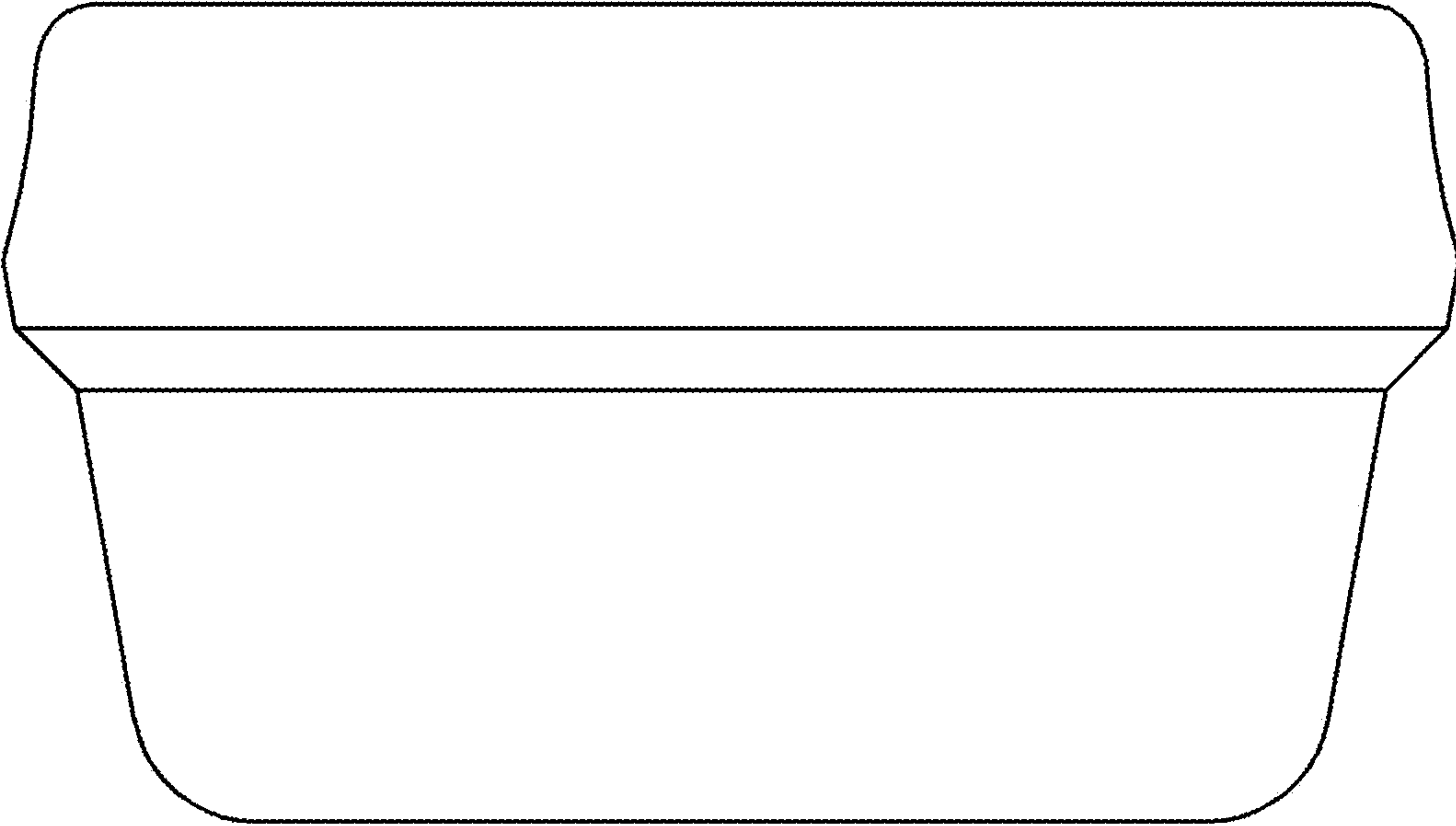


FIG. 3

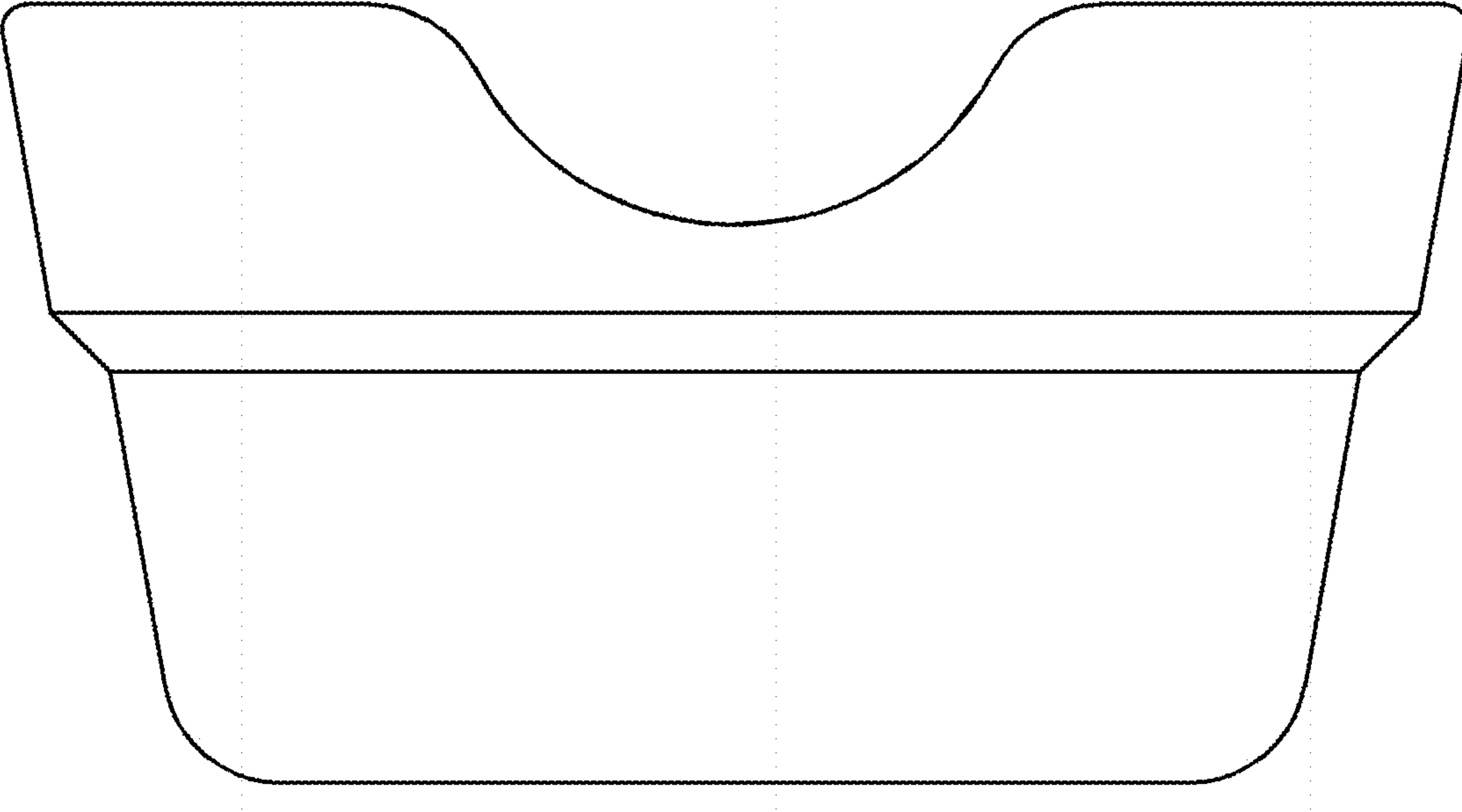


FIG. 4

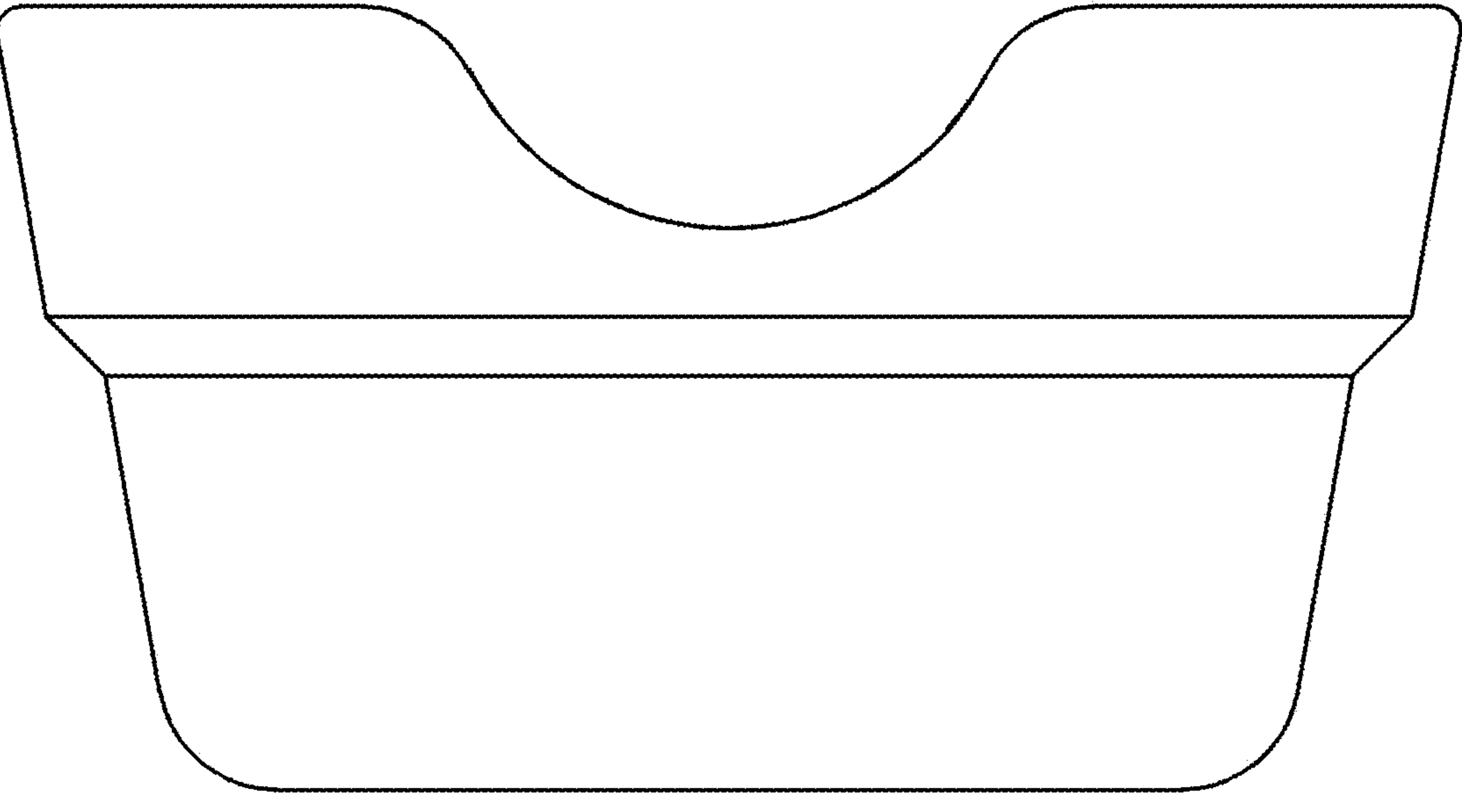


FIG. 5

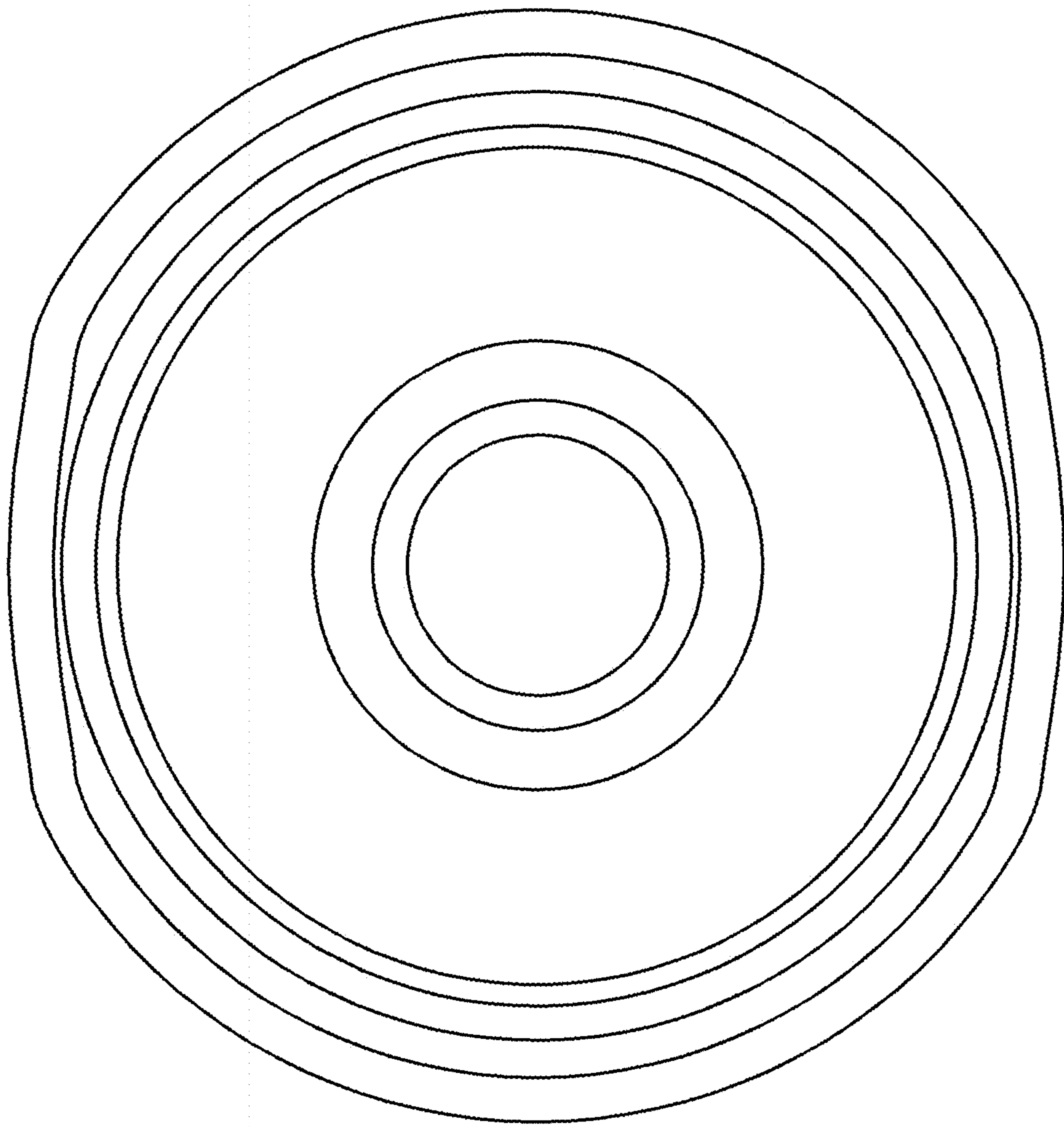


FIG. 6

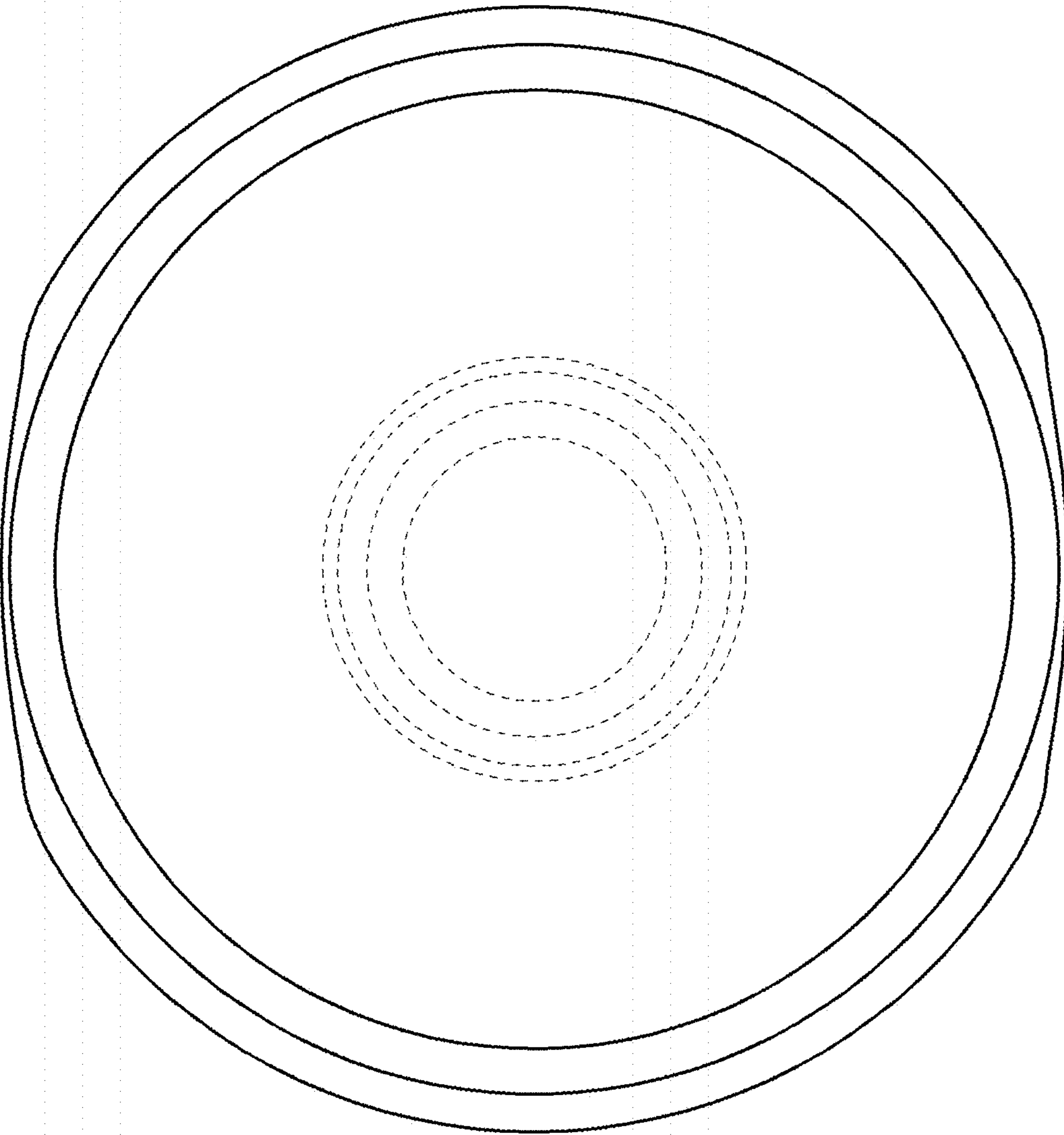


FIG. 7

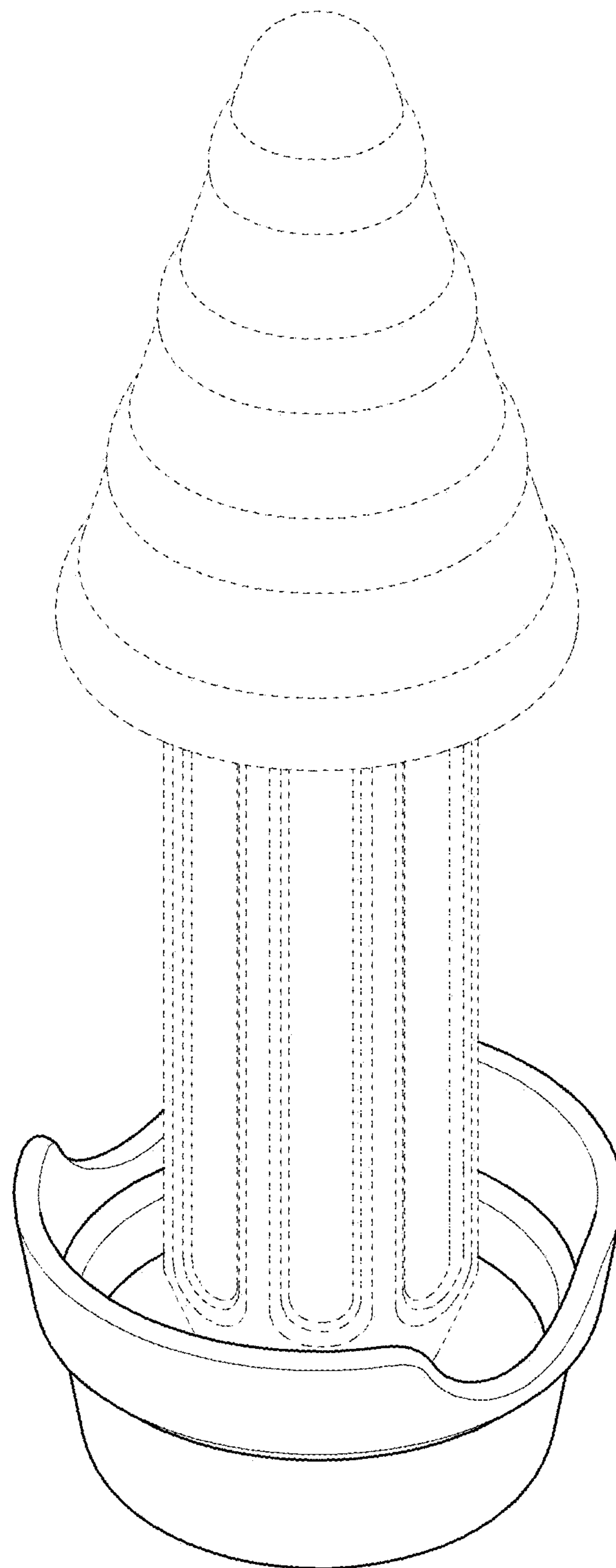


FIG. 8

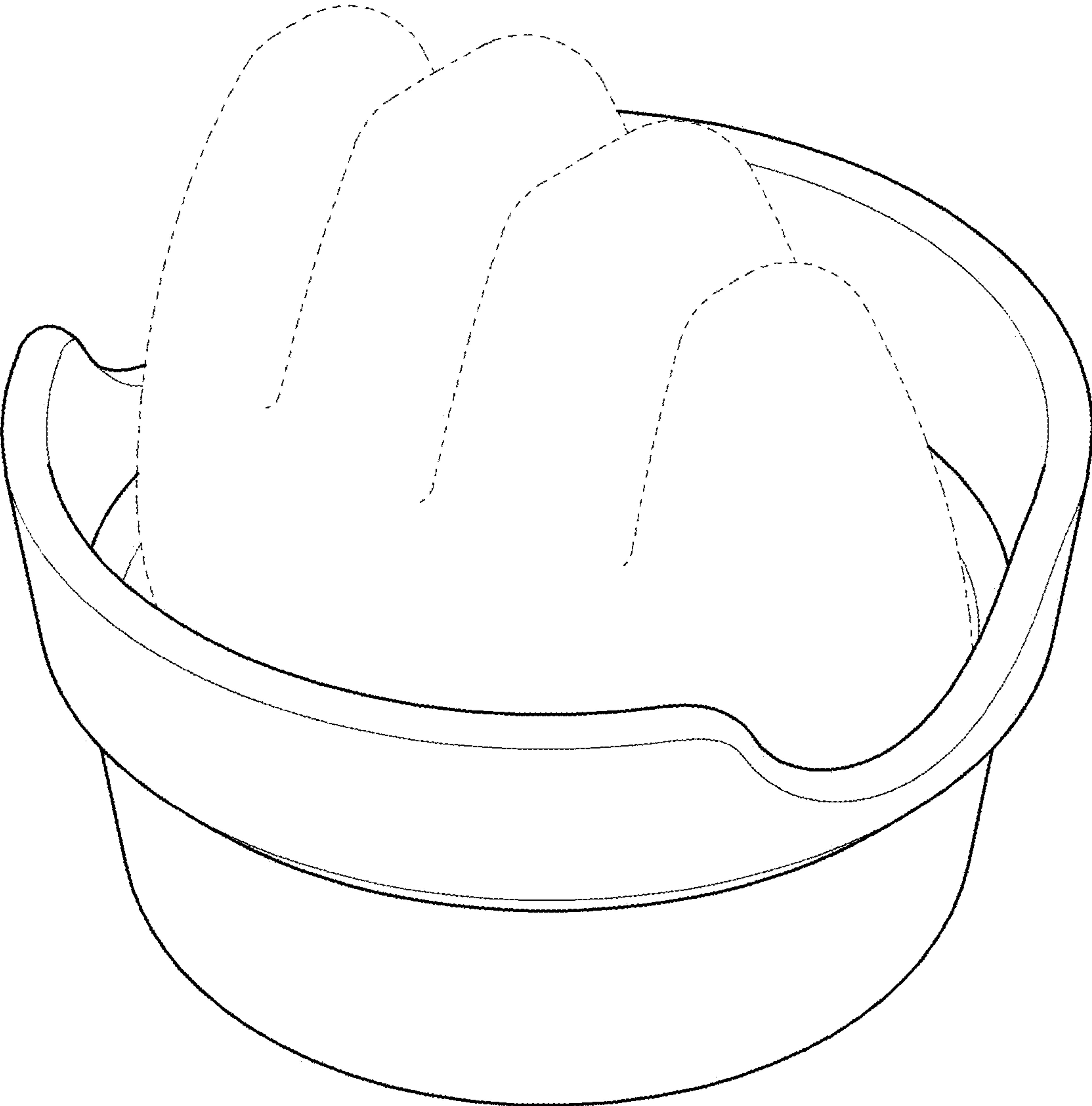


FIG. 9